

MADE IN CZECH REPUBLIC





“CREATIVITY IS
INTELLIGENCE
HAVING FUN”

Albert Einstein –



Our story

We are dedicated to making the best cantilever and sliding gate hardware. Since inception direction towards to the highest quality is our driving force. This can be seen with the dedication and passion of the workforce. This can be seen in the packaging. This can be seen in the care and attention to the smallest details. As it's this detail on hardware that can make all the difference in the lifespan of the product and the electric motors that power them.

Following extensive research and development **CAIS** is now in the enviable position of offering

the highest quality product available for the gate market. We have worked with a renowned BRNO UNIVERSITY OF TECHNOLOGY - FACULTY OF MECHANICAL ENGINEERING, looking at the way the load is transferred throughout the wheels, bearings and carriages whilst under stress of a moving gate.

The results surprised and inspired us to reinvent our product, to become more accurate and search intensively for a steel supplier that can match our ambitions.

We searched for galvanised steel that doesn't crack under rolling, we searched for steel of the correct tolerances and chemical composition.

We found all this and more with our German Supplier WUPPERMANN and created something very impressive. CAIS also invested heavily in what is the heart of our company, a brand new roll forming line.

With uniquely, 18 large precision formed rollers that allow minute differences to be made until the rolling is perfectly straight and accurate to our own exact standards.



State Of The Art Roll Forming Line

Eighteen Roll Formers - The best in the industry to remove the inset "memory" of the metal.

Built in flying hole punch - Punches a hole in the rail exactly every 400 mm.

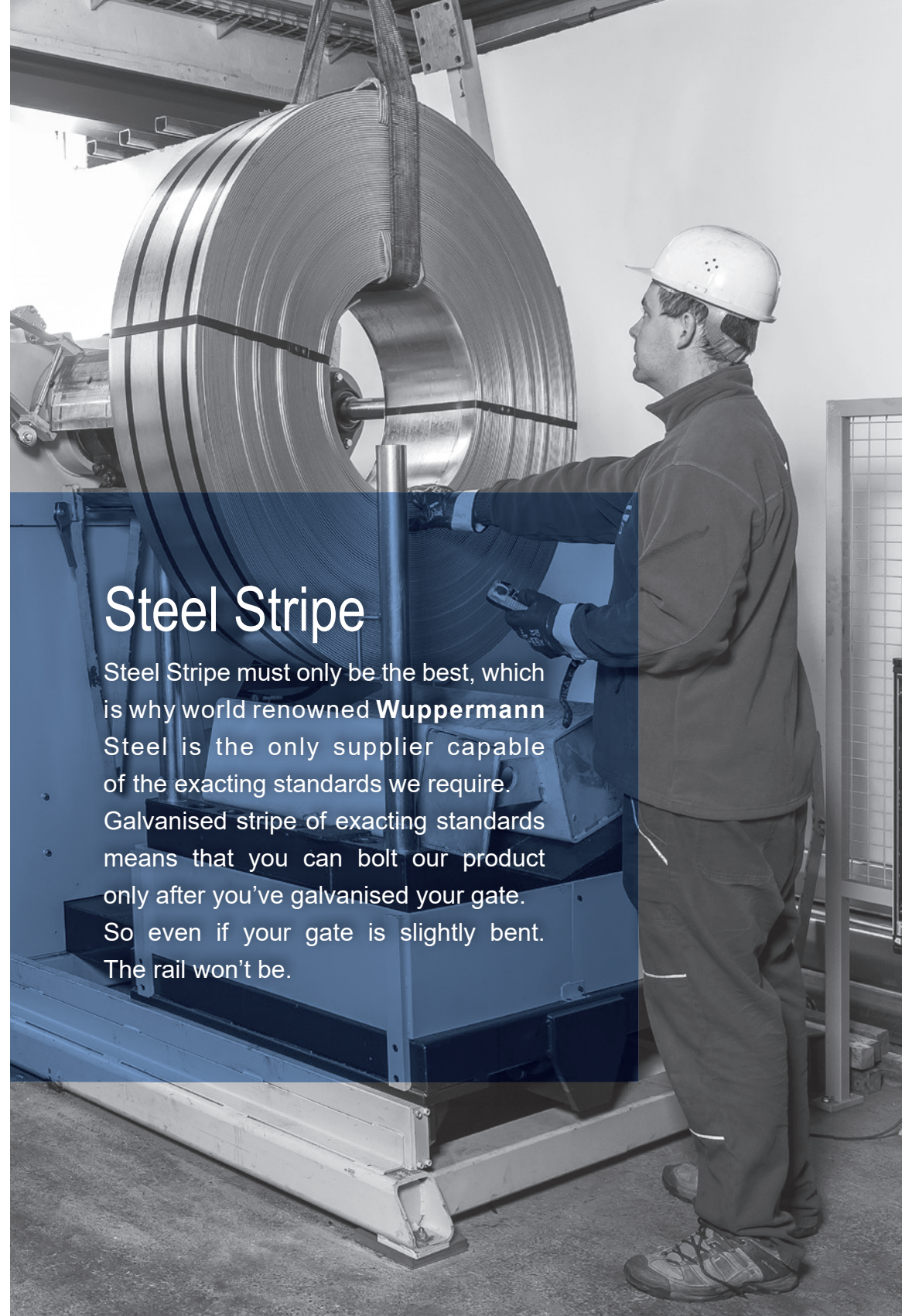
Slow rolling - This means no heat during the production keeping the material where it is rolled with no "relaxation" of the product after.

33 Years of Innovation

Since 1992, it is only after 33 years that the culmination of this experience has produced the best production line for cantilever hardware in the world. The Roll Forming line in action, its unique in its precision and accuracy.

Steel Stripe

Steel Stripe must only be the best, which is why world renowned **Wuppermann Steel** is the only supplier capable of the exacting standards we require. Galvanised stripe of exacting standards means that you can bolt our product only after you've galvanised your gate. So even if your gate is slightly bent. The rail won't be.



WE MANUFACTURE
TO OUR STANDARDS
NOT ASSEMBLE
OTHERS

Engineering Excellence Carriages

Carriages - Centre holes are milled not lasered. Only high strength certificated precision tool steel is used.

Wheels are riveted into position with just exactly the right amount of pressure. This gives our carriage a trademark smoothness once the load is applied.



Made in Czech Republic

The steel-making industry has a very long tradition in the Czech Republic and Czech steel products are well known the world over. Manufacturing methods affect the quality of steel products - this is why the raw materials and every single stage of the manufacturing process are carefully controlled, which is proof of the ability of Czech manufacturers to follow the latest trends and to use the latest technologies.

Exclusive Dealership Network

We will be continuously expanding our Exclusive Dealership Network to better meet the needs of World Wide markets. Currently our Exclusive Dealers are successfully covering the territory of Czech Republic - Slovakia - Canada East Coast - Canada West Coast - Portugal - Poland - Serbia - United Kingdom - Denmark - New Zealand - Israel - Spain - Finland - Moldavia - Russia - Latvia - Slovenia - South Korea - Hungary - Iran - Italy - Benelux - Ireland - Sweden - USA - South America - Macedonia - Croatia - Bosnia and Herzegovina - North Romania - South Romania - Bulgaria - Germany - Austria - Switzerland - Cyprus - Malta - Albania - Ukraine - Greece - Norway - Egypt - Saudi Arabia - Morocco - Kazakhstan - Vietnam - Thailand - Philippines - Singapore - Australia - United Arab Emirates - Trinidad and Tobago - Guyana - Suriname



“THE IDEA IS
NOT TO LIVE
FOREVER,
IT IS TO
CREATE
SOMETHING
THAT WILL”

– Andy Warhol

WE NEVER STOP
INVESTING
WE NEVER STOP
IMPROVING
WE NEVER STOP
DOING
SOMETHING
NEW



CZECH
R&D



GERMAN
STEEL

FANUC

JAPANESE
ROBOTICS



PRODUCT
DEVELOPMENT
PROCESS





WE NEVER APOLOGISE
FOR HAVING **HIGH STANDARDS**



GB

D

F

E

P

I

DK

NL

N

S

FIN

PL

SK

EE

LT

CZ

LV

RO

HR

RUS

SLO

TR

AR

CHN

MAL

H

IL

BG

KO

SRB

**CA
IS**

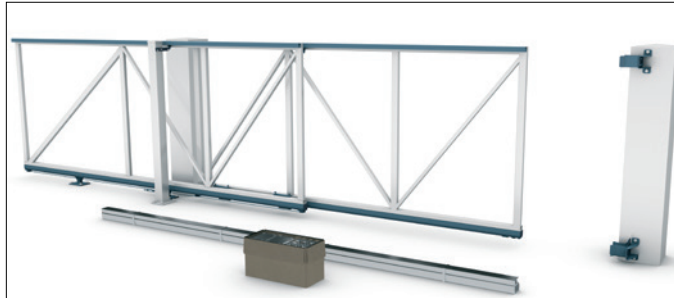
**EA
SY**

**SE
TS**

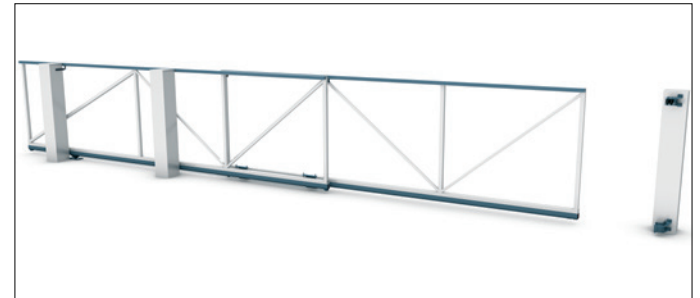




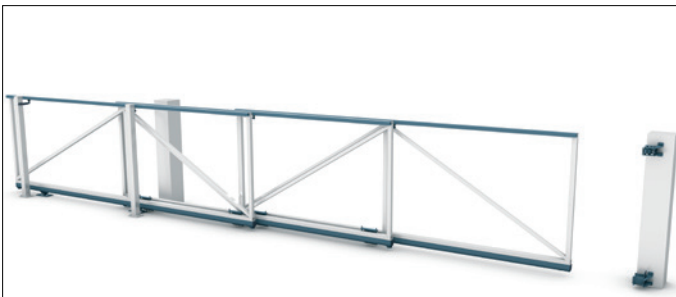
 **TWIN DRIVE**



 **FOLLOW ME S**



 **FOLLOW ME M**



 **TRIDENT**



 **SHORTBACK DUE**



 **SHORTBACK TRE**



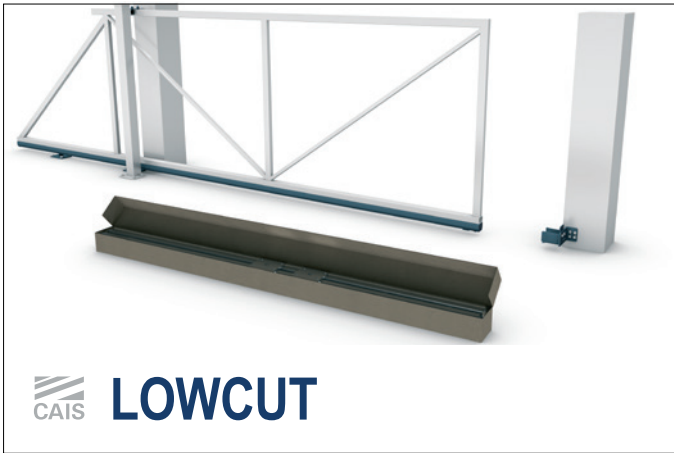
 **SHORTBACK QUATTRO**



 **SNAPCLIP**



 **SLYDER**





CONNECT 60

REPORT OF ASSESSMENT OF PERFORMANCE NO.755200134 / 2022

Notified Body No. 1023

INSTITUTE FOR TESTING AND CERTIFICATION

Třída Tomáše Bati 299
763 02 Zlín, Czech Republic
Division CSI - Centre of Civil Engineering



Assessed by
Ing. Vratislav Glos

26.05.2022

MANAGING DIRECTOR
Mr. Miroslav Cais



INSTITUTE FOR TESTING AND CERTIFICATION

trida Tomase Bati 299, Louky, 763 02 Zlín, Czech Republic
Division CSI - Centre of Civil Engineering



REPORT OF ASSESSMENT OF PERFORMANCE

NO. 755200134 / 2022

Notified Body No. 1023

Product: Sliding single-leaf self-supporting door of type designation CANTIELVER with type series S (variants S, SE, SK), series Connect 60 (variants Connect 60, S, SK) series M (variants M, ME, MEK) and series M max 14 (variants M max 14, MK max 14), with 4 variants of infill design, in dimensional variants of design and always with manual

Applicant: CAIS s.r.o.
Přehradní 199
763 16 Fryšták - Dolní Ves
Česká republika

Producent: CAIS s.r.o.
Přehradní 199
763 16 Fryšták - Dolní Ves
Česká republika

Assessed by: Ing. Vratislav Glos

Number of annexes: 1

No. of pages incl. annexes: 10

Issued on: 2022-05-26



Mgr. Jiří Heš
Representative of the Notified Body No. 1023

Tax & VAT Id. No.: CZ47910381
Company id. No.: 47910381

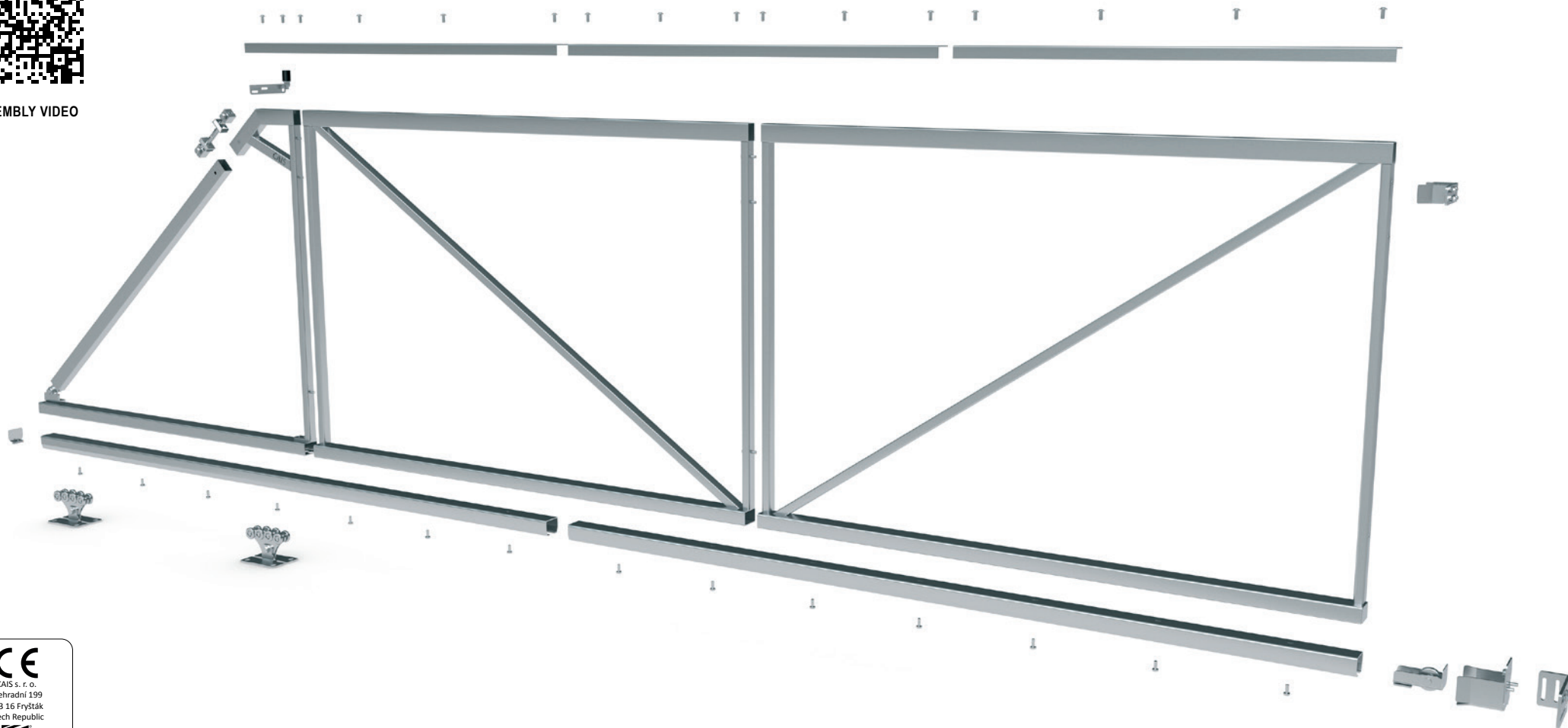
+420 572 779 922
+420 281 017 445

itc@itczlin.cz
ao@csias.cz

www.itczlin.cz
www.csias.cz



ASSEMBLY VIDEO



CE
 CAIS s. r. o.
 Přehradní 199
 763 16 Fryšták
 Czech Republic
CAIS
CONNECT 60
 CANTILEVER GATE
 22
 EN 13241:2003+A2:2016
 Serial number: 600000
 Date:
 Resistance
 to wind load: Class
 2006/42/ES

PATENT OFFICE PŘÍKRÝL
 has registered at industrial
 property office for **GERMANY**
 the utility model number
20 2015 103 846
 for E-BOX cantilever gate,
 produced by CAIS s.r.o.



PATENT OFFICE

NEW

CONNECT 60 E-BOX

CERTIFIED CANTILEVER
STEEL GATE FRAME SET

CAIS

CONNECT 60

REPORT OF ASSESSMENT OF PERFORMANCE
NO.755200134 / 2022

Notified Body No. 1023


**INSTITUTE FOR TESTING
AND
CERTIFICATION**

Trída Tomáše Bati 299
763 02 Zlín, Czech Republic
Division CSI - Centre of Civil Engineering

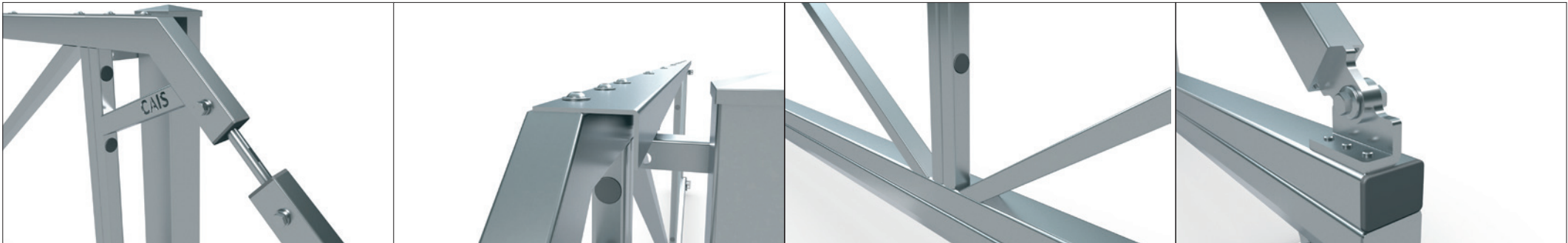
CE

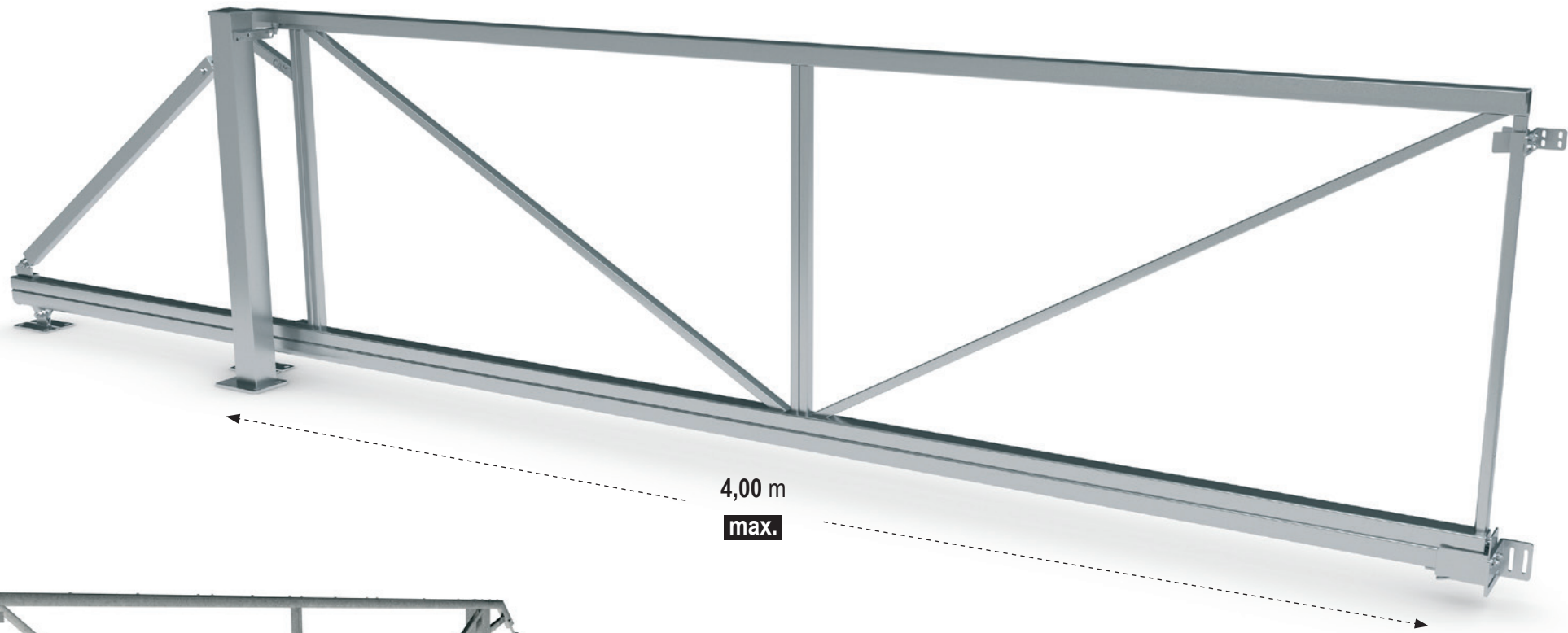
Assessed by
Ing. Vratislav Glos
26.05.2022

MANAGING DIRECTOR
Mr. Miroslav Cais

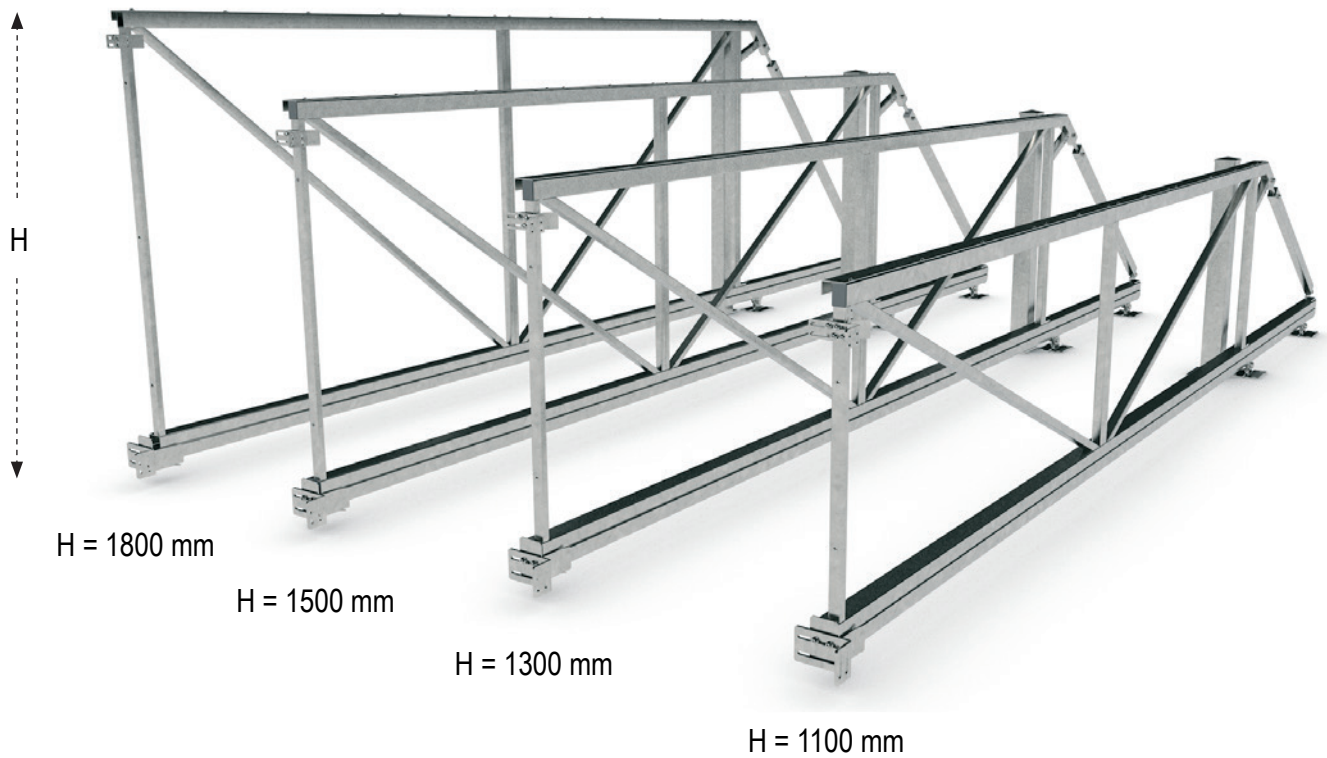



CERTIFIED FOR WIDE RANGE OF INFILLS YOU CAN CLAD THE GATE FRAMES IN A CHOICE OF FENCING MESH, WPC COMPOSITE BOARDS ALUMINIUM GATE INFILL BOARDS AR A MATERIAL OF YOUR CHOICE E.G. TIMBER ORNAMENTA STEEL, STEEL SHEET, V-MESH INFILL, PRISON MESH INFILL, PALISADE SATS, STEEL BARS, ANY INFILL OF YOUR CHOICE UP TO 125 KG IN WEIGHT





4,00 m
max.



H = 1800 mm

H = 1500 mm

H = 1300 mm

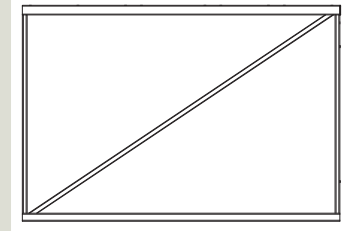
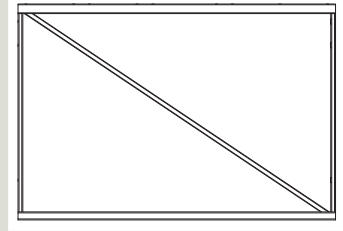
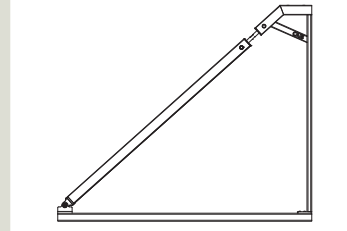
H = 1100 mm



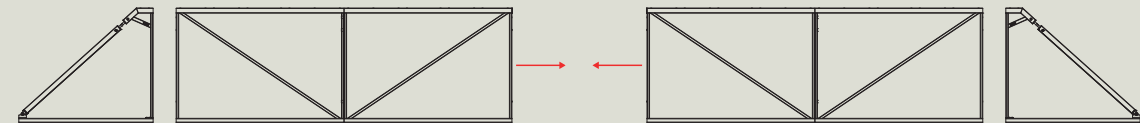
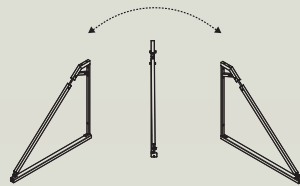
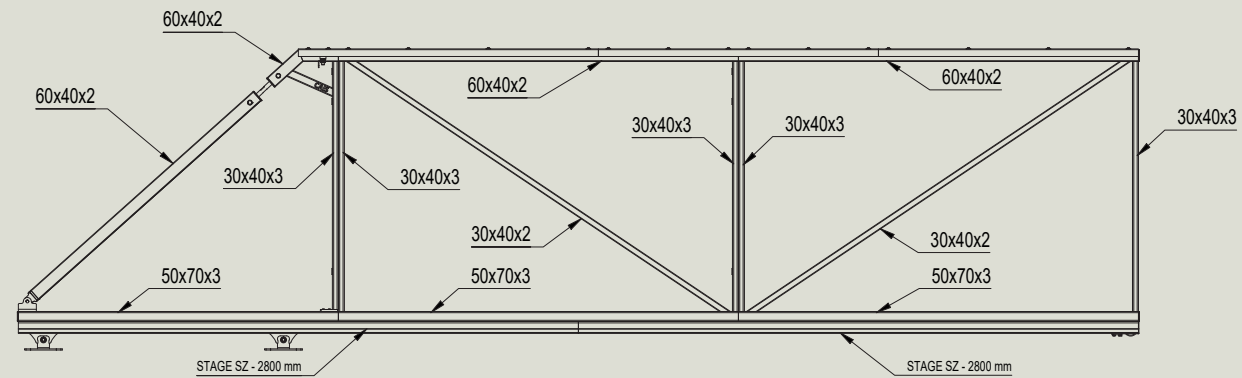
SECTION 1	
HEIGHT	WEIGHT
mm	kg
1100	19
1300	20
1500	21
1800	22

SECTION 2	
HEIGHT	WEIGHT
mm	kg
1100	25,5
1300	27
1500	28,5
1800	30

SECTION 3	
HEIGHT	WEIGHT
mm	kg
1100	25,5
1300	27
1500	28,5
1800	30



MAXIMUM LOAD ON THE GATE FRAME 125 kg



SUITABLE FOR LEFT AND RIGHT OPENING

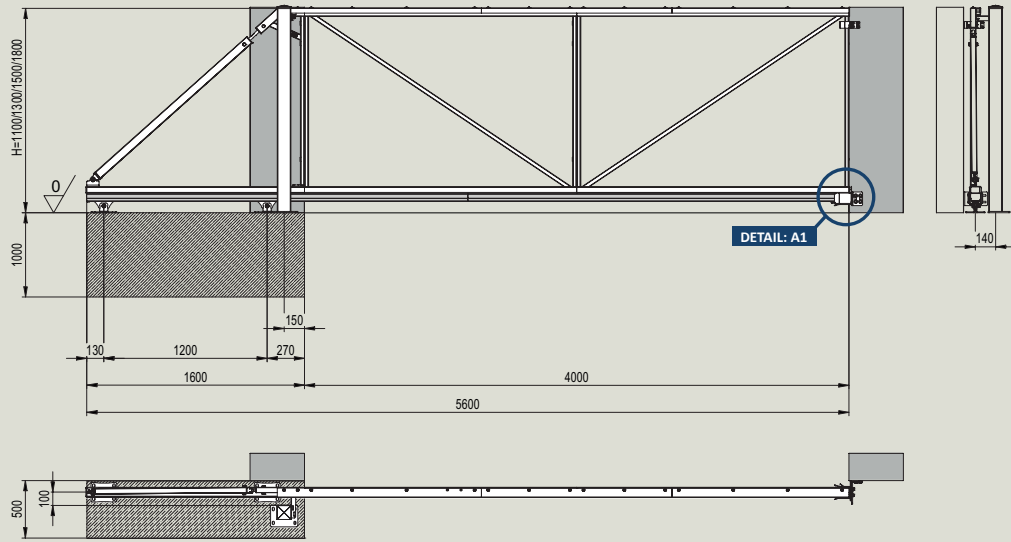
CONNECT 60 - 4.0/1.1		
CODE	ART.	PCS
	FRAME 1.1	1 pc
	KIT - BOLTS, NUTS	1 pc
1700004	RUN S	1 pc
1700005	LAST S	1 pc
1700007	PILOT SN	1 pc
1700404	PILOT SR	1 pc
1700174	SPEED SE	2 pcs
1700237	DIAGON 60	1 pc
1700339	JRS 30	1 pc
1700359	PARK CSM	1 pc
1700367	DOCKER O	1 pc
1720016	STAGE SZ 2,8	2 pcs
Total weight = 135 kg		
CODE: 1710800		

CONNECT 60 - 4.0/1.3		
CODE	ART.	PCS
	FRAME 1.3	1 pc
	KIT - BOLTS, NUTS	1 pc
1700004	RUN S	1 pc
1700005	LAST S	1 pc
1700007	PILOT SN	1 pc
1700404	PILOT SR	1 pc
1700174	SPEED SE	2 pcs
1700237	DIAGON 60	1 pc
1700339	JRS 30	1 pc
1700359	PARK CSM	1 pc
1700367	DOCKER O	1 pc
1720016	STAGE SZ 2,8	2 pcs
Total weight = 139 kg		
CODE: 1710801		

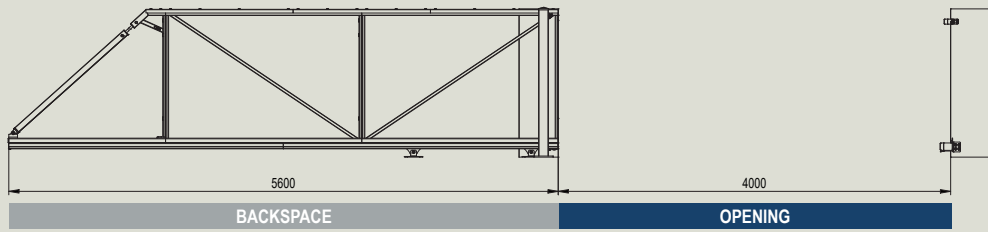
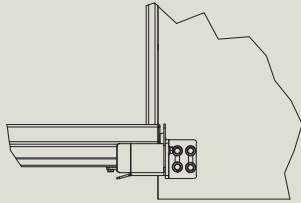
CONNECT 60 - 4.0/1.5		
CODE	ART.	PCS
	FRAME 1.5	1 pc
	KIT - BOLTS, NUTS	1 pc
1700004	RUN S	1 pc
1700005	LAST S	1 pc
1700007	PILOT SN	1 pc
1700404	PILOT SR	1 pc
1700174	SPEED SE	2 pcs
1700237	DIAGON 60	1 pc
1700339	JRS 30	1 pc
1700359	PARK CSM	1 pc
1700367	DOCKER O	1 pc
1720016	STAGE SZ 2,8	2 pcs
Total weight = 143 kg		
CODE: 1710802		

CONNECT 60 - 4.0/1.8		
CODE	ART.	PCS
	FRAME 1.8	1 pc
	KIT - BOLTS, NUTS	1 pc
1700004	RUN S	1 pc
1700005	LAST S	1 pc
1700007	PILOT SN	1 pc
1700404	PILOT SR	1 pc
1700174	SPEED SE	2 pcs
1700237	DIAGON 60	1 pc
1700339	JRS 30	1 pc
1700359	PARK CSM	1 pc
1700367	DOCKER O	1 pc
1720016	STAGE SZ 2,8	2 pcs
Total weight = 147 kg		
CODE: 1710806		

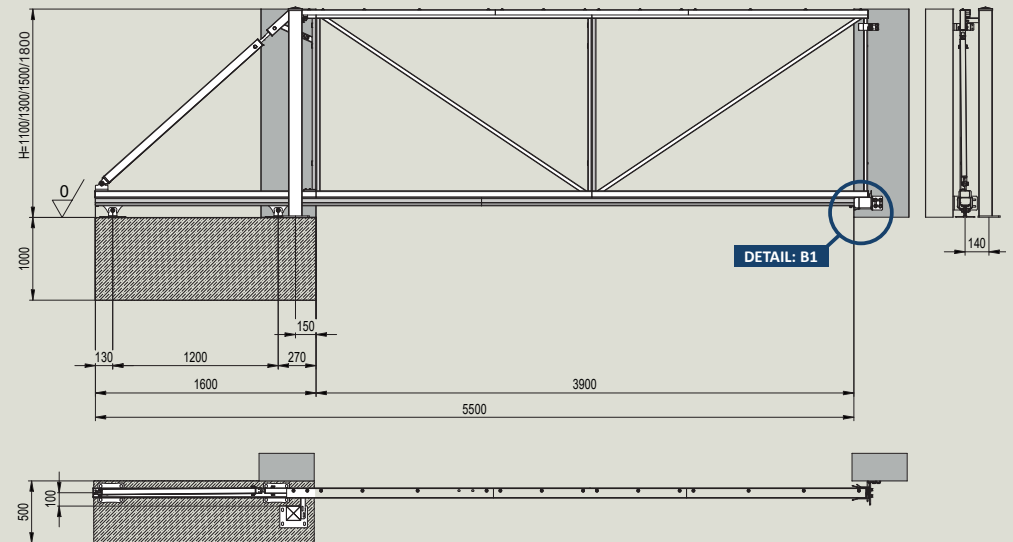
DRIVEWAY 4000 mm



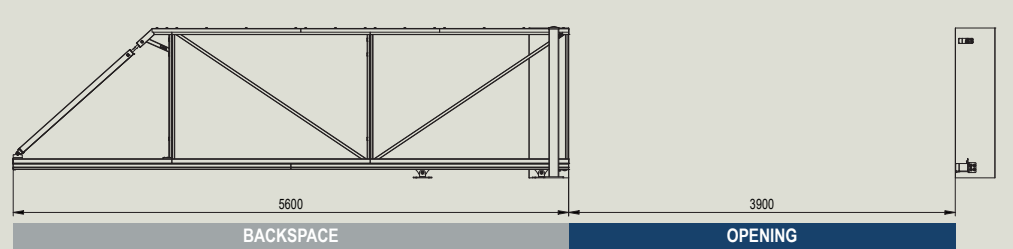
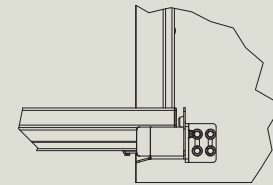
A1 (1:20)



DRIVEWAY 3900 mm

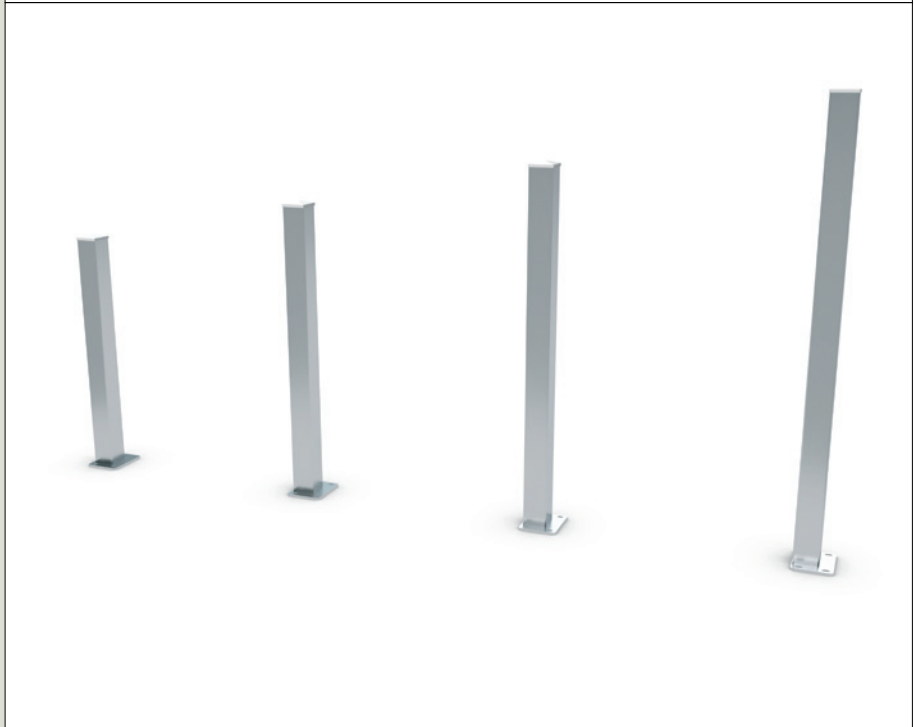
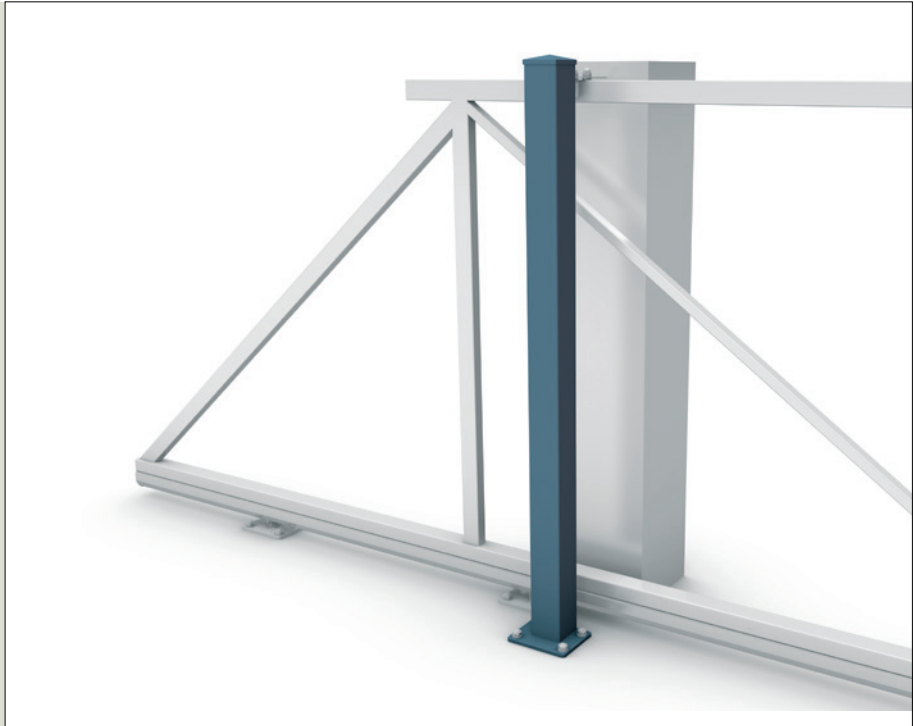
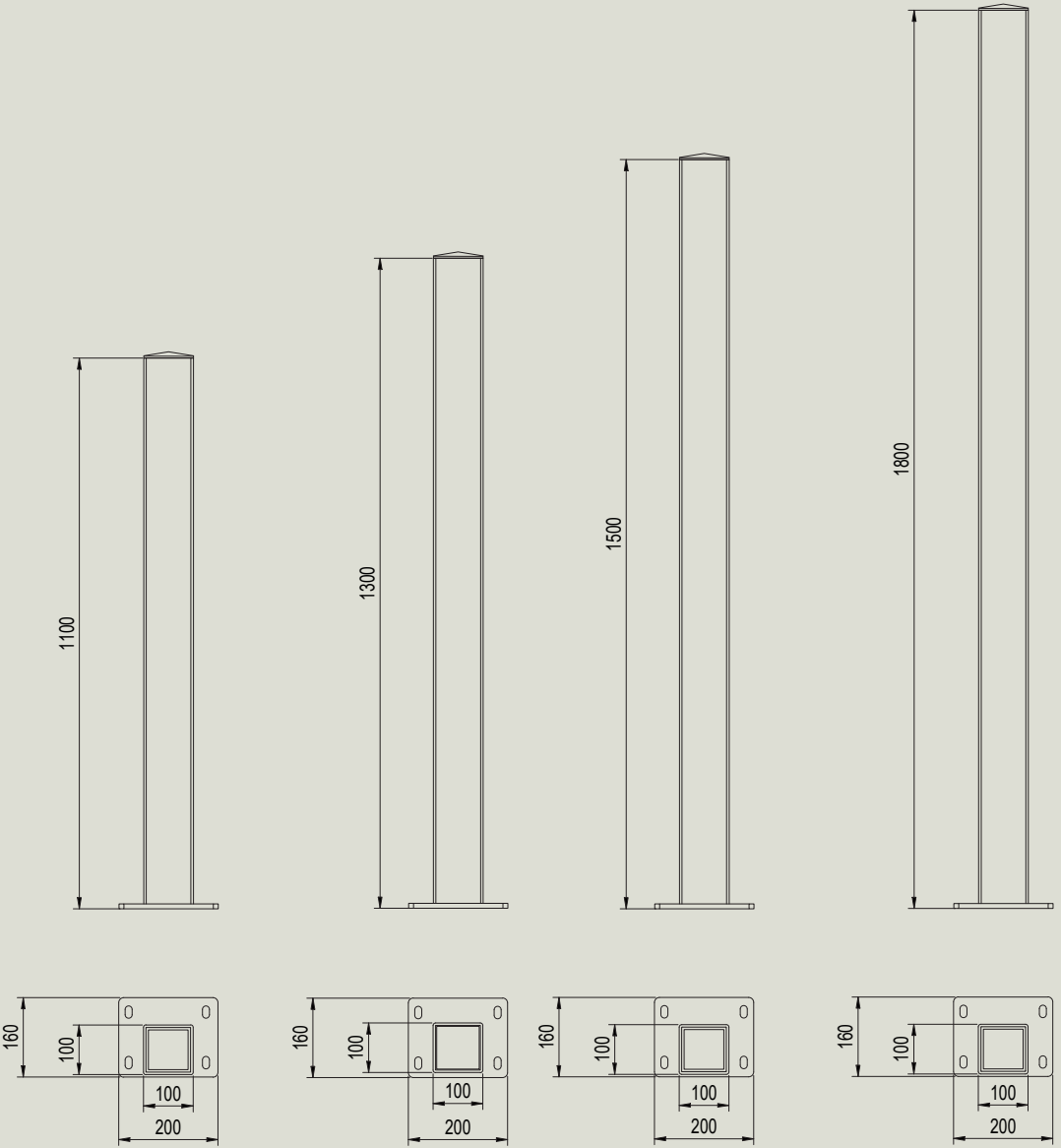


B1 (1:20)

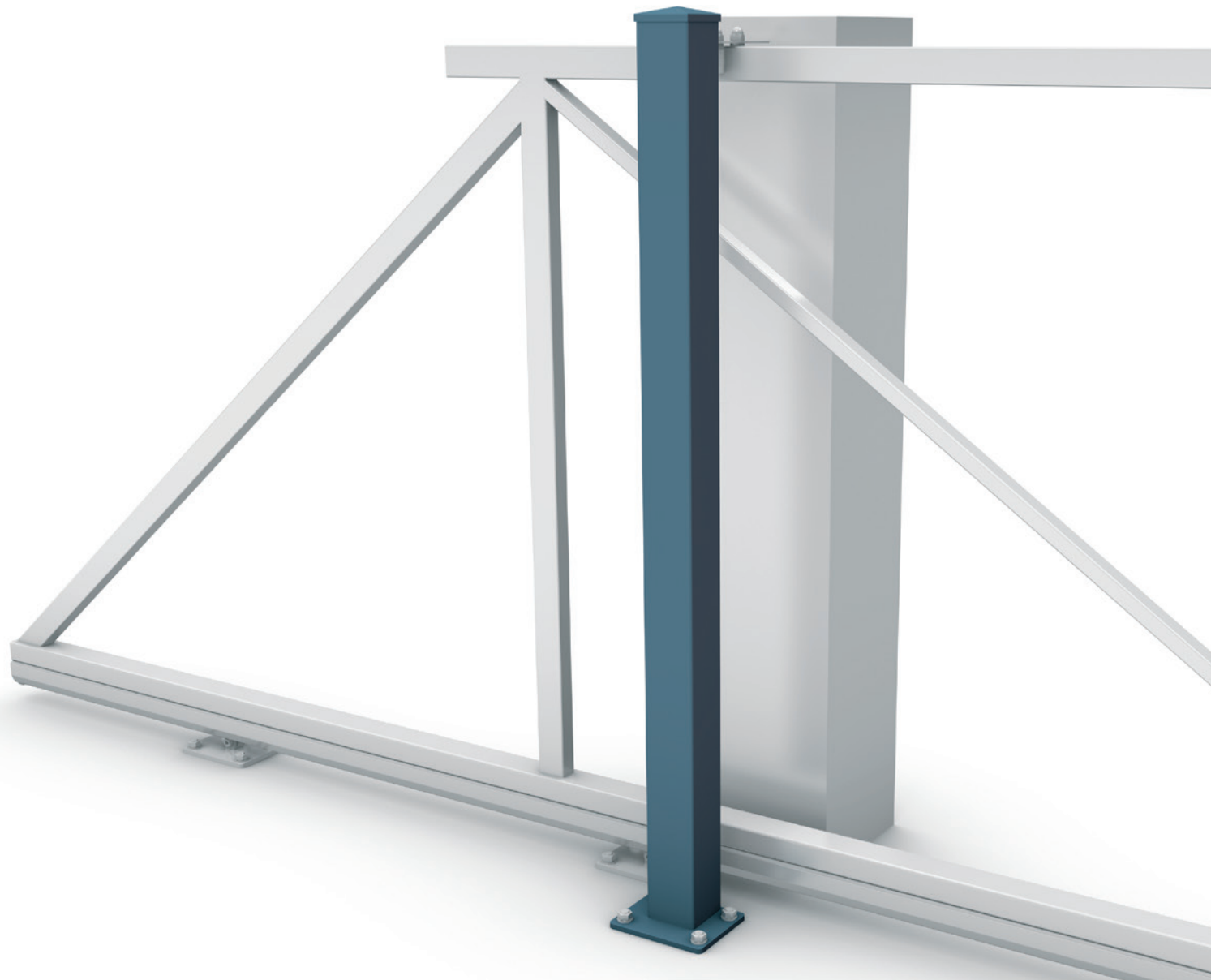


TOWER 1.1	TOWER 1.3	TOWER 1.5	TOWER 1.8
Profile 100x100x3	Profile 100x100x3	Profile 100x100x3	Profile 100x100x3
Total weight = 12 kg	Total weight = 13,5 kg	Total weight = 15 kg	Total weight = 17,5 kg
CODE: 1710803	CODE: 1710804	CODE: 1710805	CODE: 1710807

* NOT INCLUDED IN SET CONNECT 60



NOT INCLUDED IN CONNECT 60



SLYDER



TWIN DRIVE / TWIN DRIVE GUARD



X-TRACK



FOLLOW ME

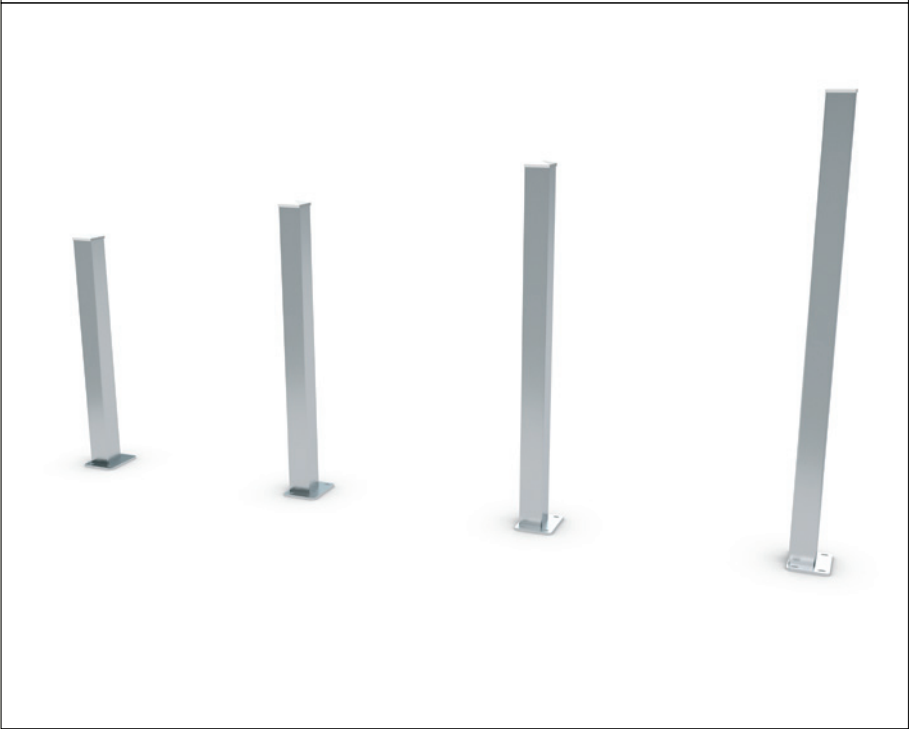
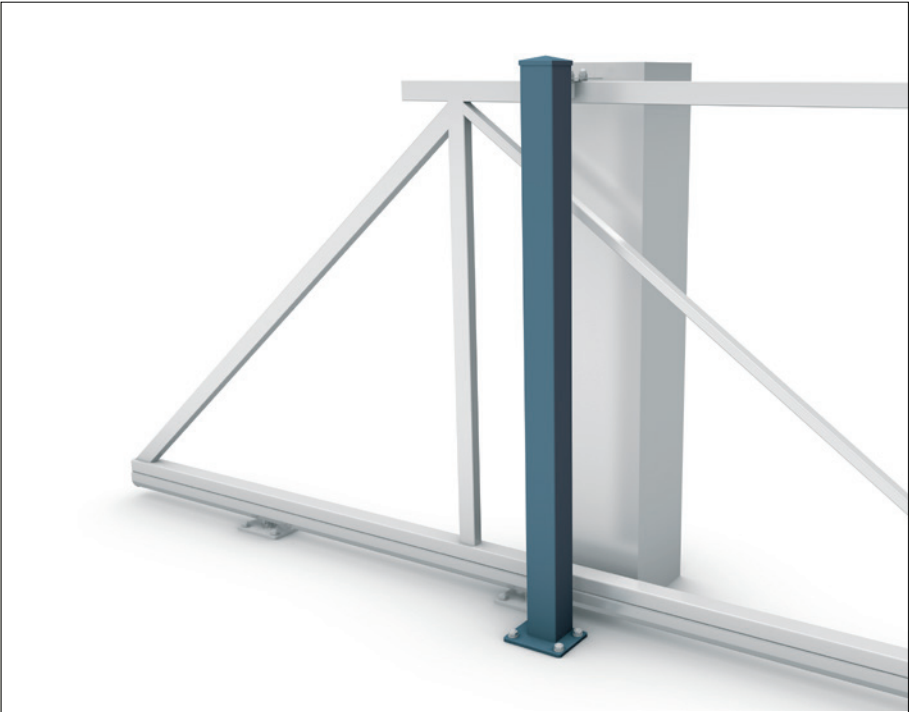
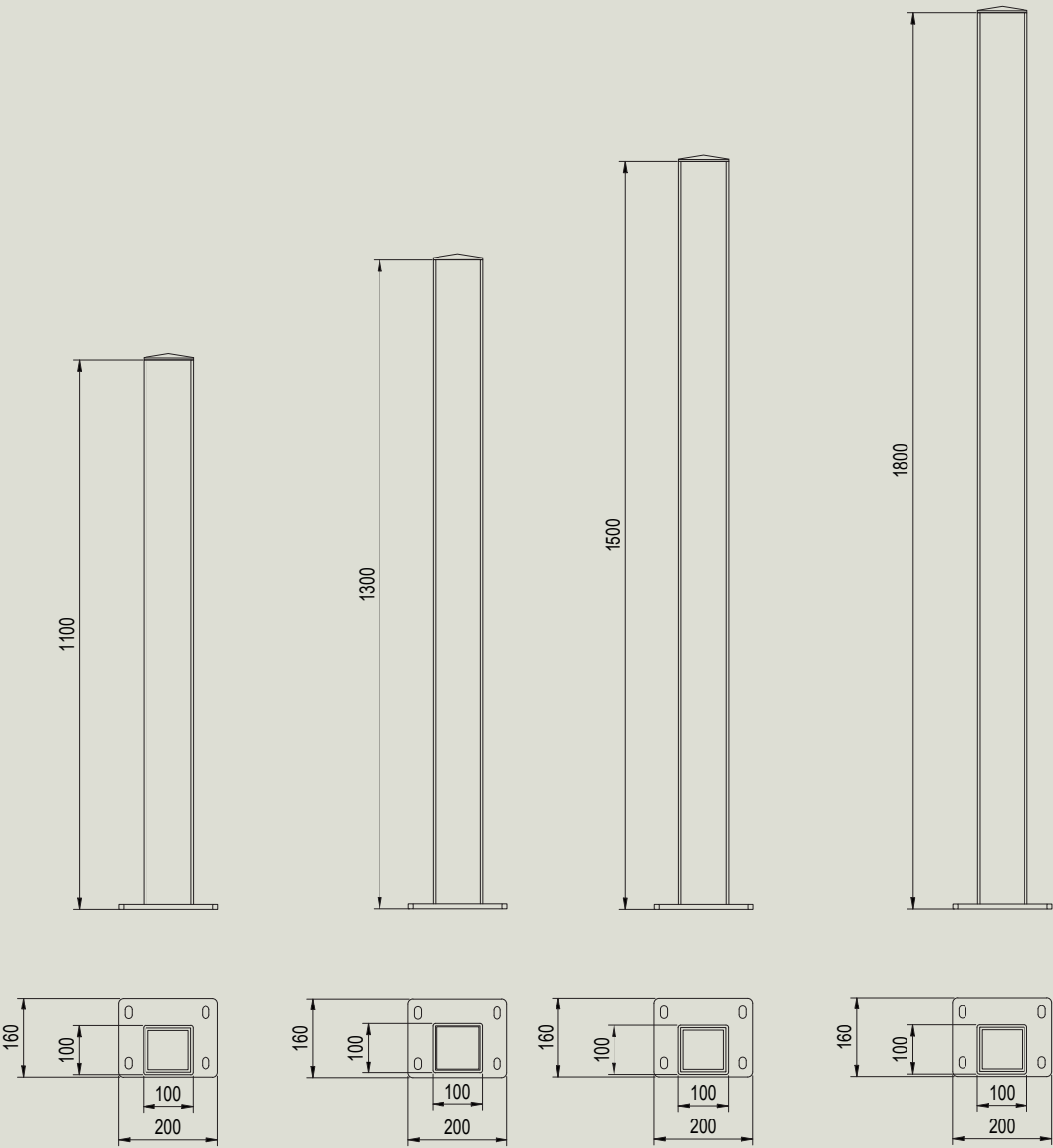
NEW 

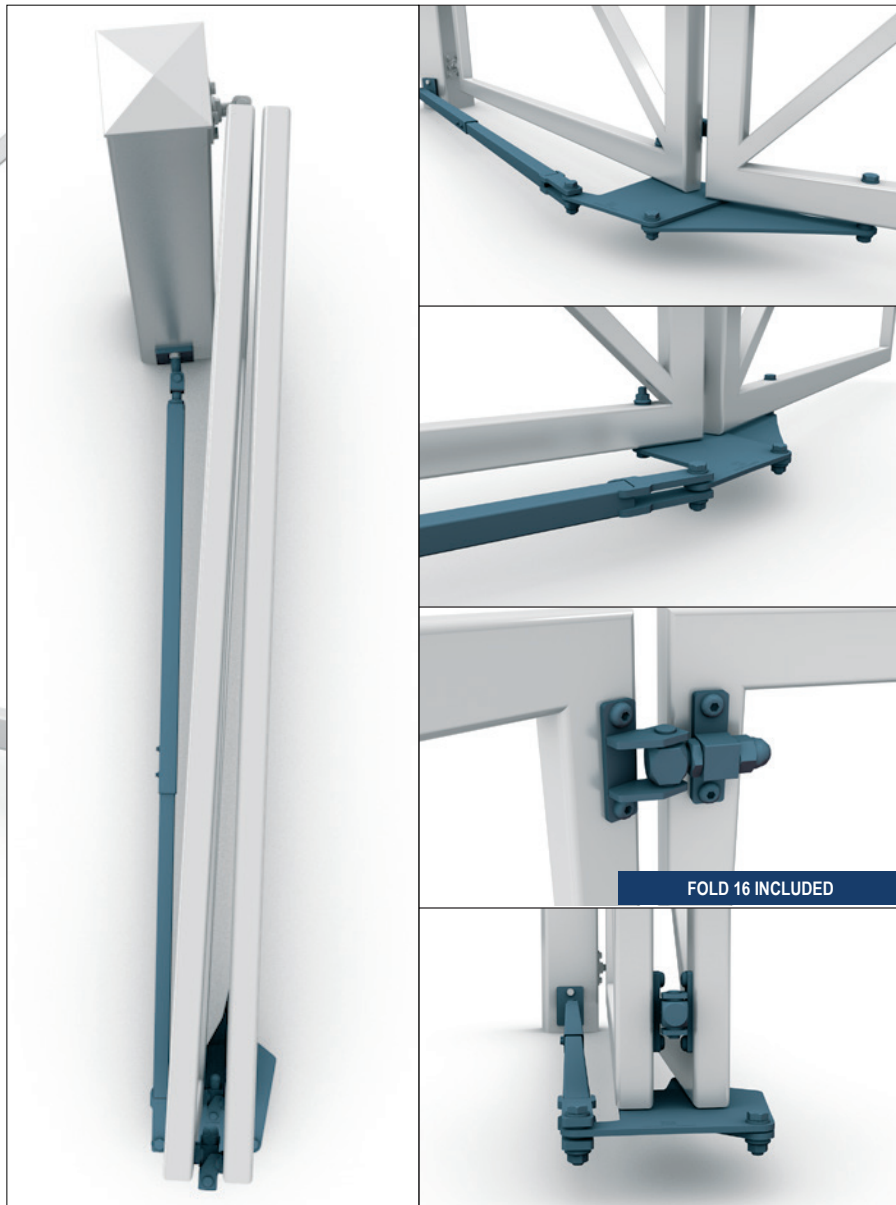
 **TOWER**

STEEL GATE
UNIVERSAL SUPPORT POST

TOWER 1.1	TOWER 1.3	TOWER 1.5	TOWER 1.8
Profile 100x100x3	Profile 100x100x3	Profile 100x100x3	Profile 100x100x3
Total weight = 12 kg	Total weight = 13,5 kg	Total weight = 15 kg	Total weight = 17,5 kg
CODE: 1710803	CODE: 1710804	CODE: 1710805	CODE: 1710807

*** NOT INCLUDED IN SET CONNECT 60**

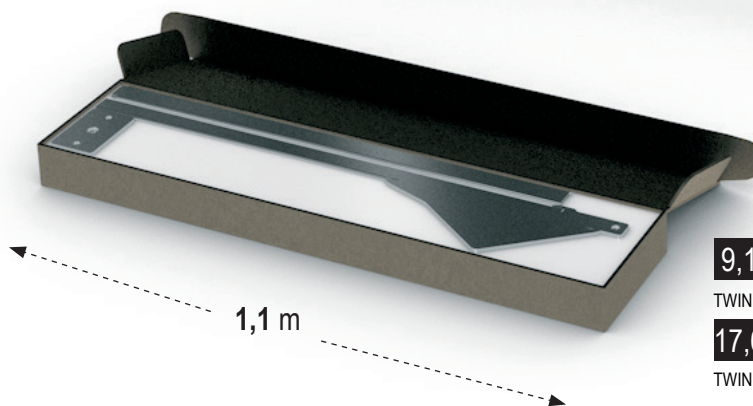




READY TO GO



ASSEMBLY VIDEO



1,1 m

9,1 kg

TWIN DRIVE GUARD 3.0

17,6 kg

TWIN DRIVE GUARD 6.0

FOLD 16 INCLUDED

PATENT NO 308673



FINGER PINCH PROTECTED

NEW



TWIN DRIVE GUARD E-BOX

TRACKLESS BI-FOLDING HARDWARE
HAND CRUSH INJURY PROTECTED

TWIN DRIVE GUARD 6.0

BI-FOLDING DOUBLE LEAF
SWING GATE HARDWARE
SPACE-SAVING FEATURE
MAX. 3.0 m SINGLE LEAF
(TWO PANELS) MAX. 110 kg
HEIGHT MAX. 1,8 m

CENTRAL HINGES INCLUDED - FOLD 16
HAND CRUSH INJURY
PROTECTED

CODE: 1710922

TWIN DRIVE GUARD 3.0

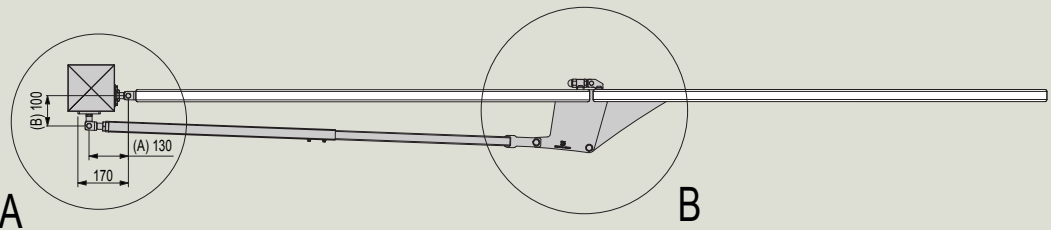
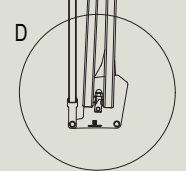
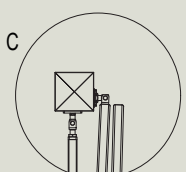
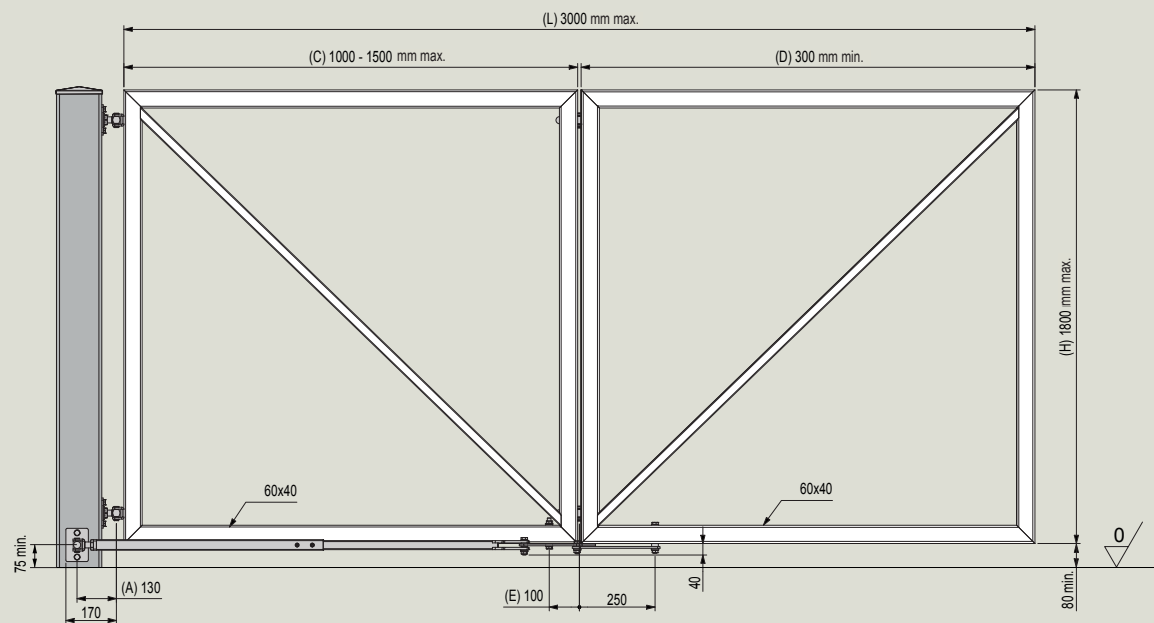
BI-FOLDING SINGLE LEAF
SWING GATE HARDWARE
SPACE-SAVING FEATURE
MAX. 3.0 m SINGLE LEAF
(TWO PANELS) MAX. 110 kg
HEIGHT MAX. 1,8 m

CENTRAL HINGES INCLUDED - FOLD 16
HAND CRUSH INJURY
PROTECTED

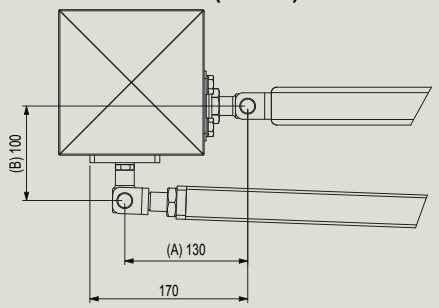
CODE: 1710923

L	A	B	C	D	E	F	G	H	SINGLE LEAF (TWO PANELS) max.
max.			min. / max.	min. / max.					kg
3000	130	100	1000- 1500	300 - 1500	100	250	40	1800	110

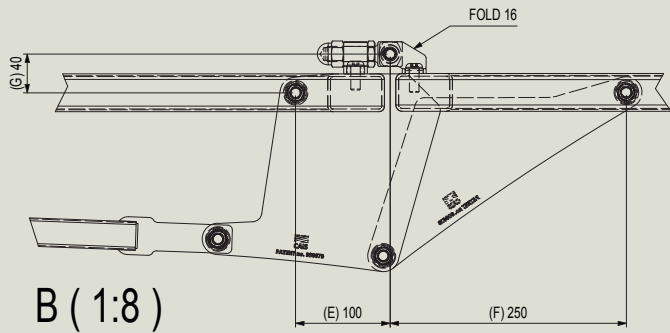
Valid for gate frame 60x40



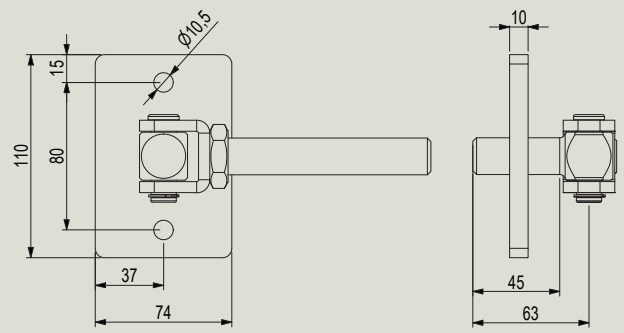
A (1:8)



FOLD 16



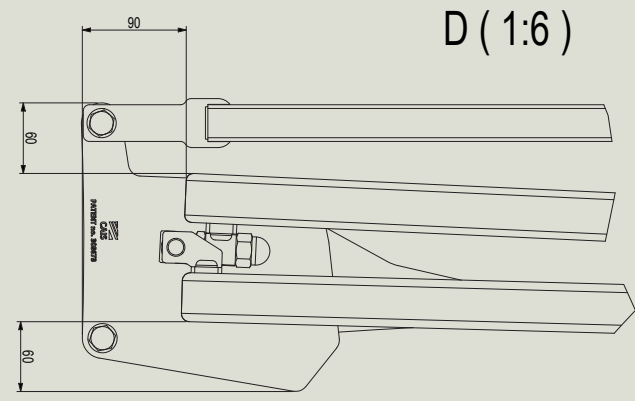
B (1:8)



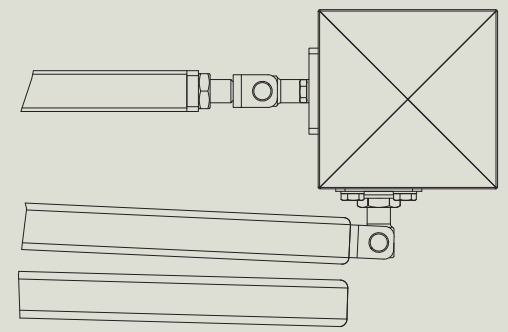
A

B

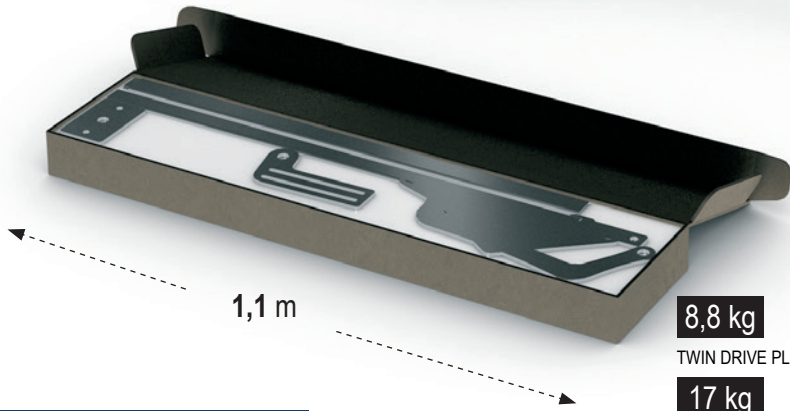
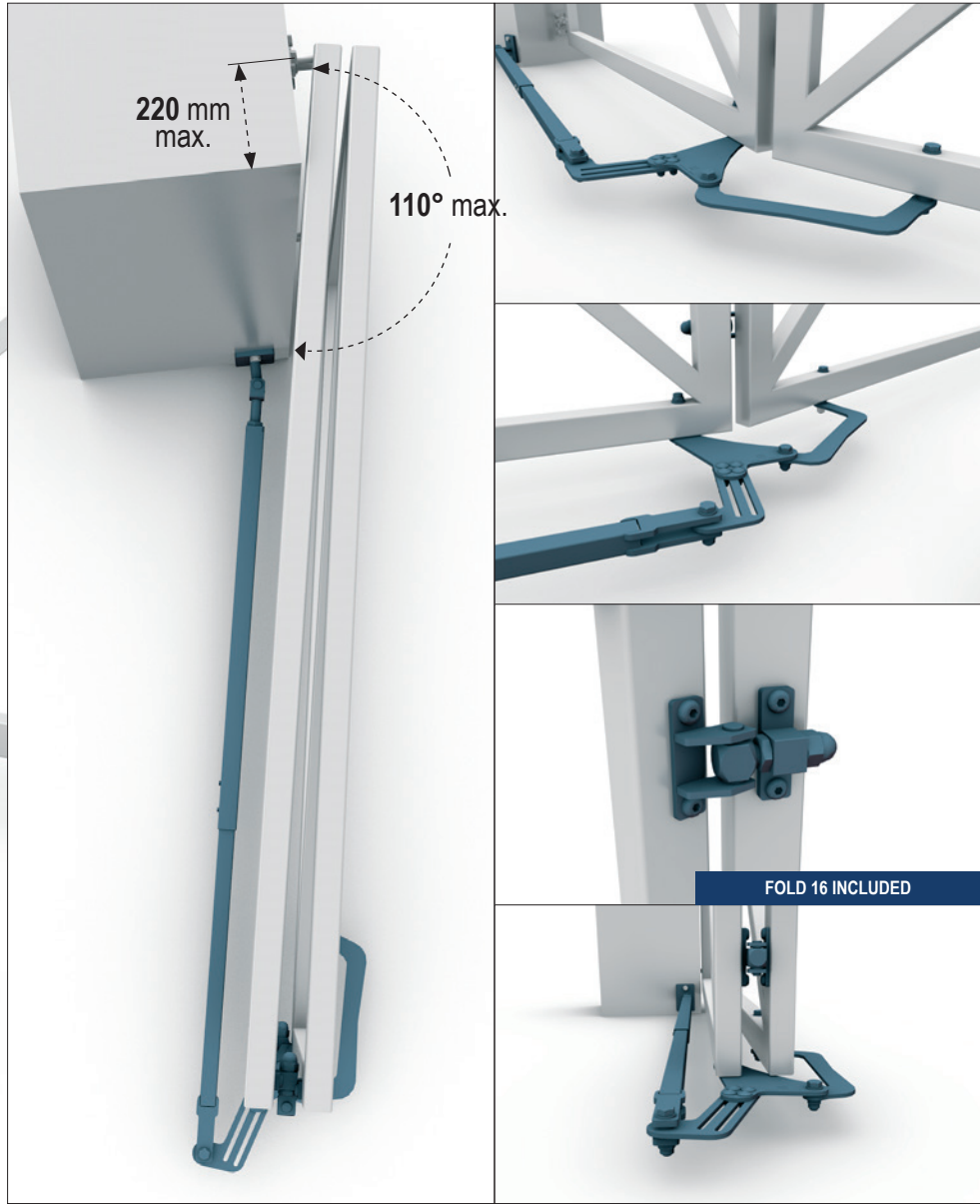
D (1:6)



C (1:6)



FRAME NOT INCLUDED



READY TO GO

1,1 m

8,8 kg
TWIN DRIVE PLUS 3.0

17 kg
TWIN DRIVE PLUS 6.0

FOLD 16 INCLUDED

PATENT NO 308673

NEW



TWIN DRIVE PLUS E-BOX

BI-FOLDING SWING GATE HARDWARE
110° OPENING ANGLE

TWIN DRIVE PLUS 6.0

BI-FOLDING DOUBLE LEAF SWING
GATE HARDWARE
SPACE-SAVING FEATURE
MAX. 3,0 m SINGLE LEAF
MAX. 110 kg
HEIGHT MAX. 1,8 m
CENTRAL HINGES INCLUDED - FOLD 16

CODE: 1710912

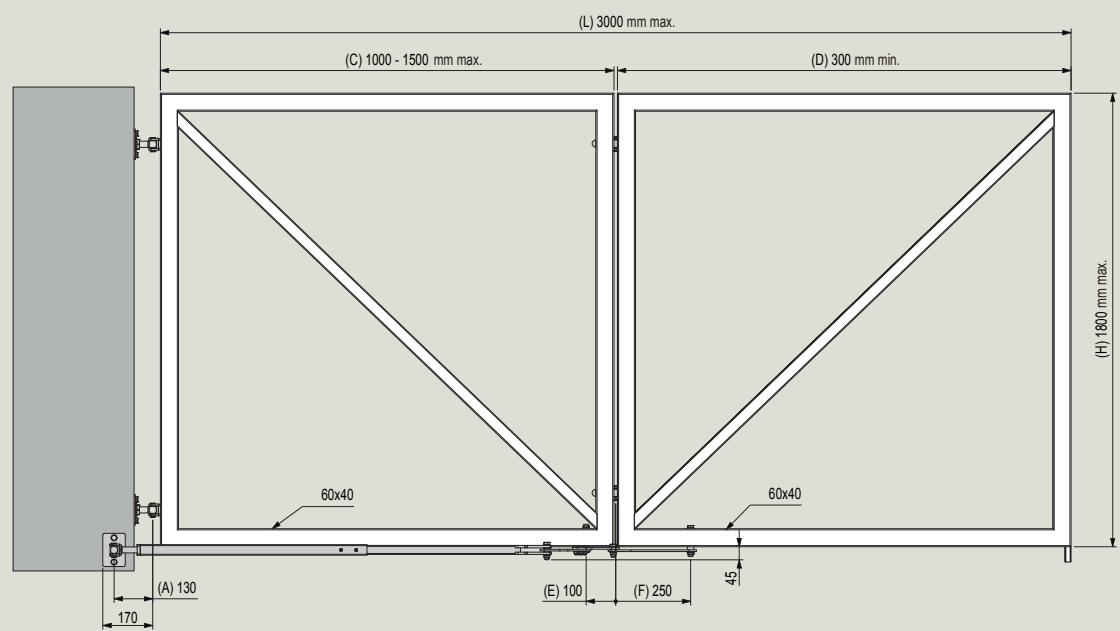
TWIN DRIVE PLUS 3.0

BI-FOLDING SINGLE LEAF SWING
GATE HARDWARE
SPACE-SAVING FEATURE
MAX. 3,0 m SINGLE LEAF
MAX. 110 kg
HEIGHT MAX. 1,8 m
CENTRAL HINGES INCLUDED - FOLD 16

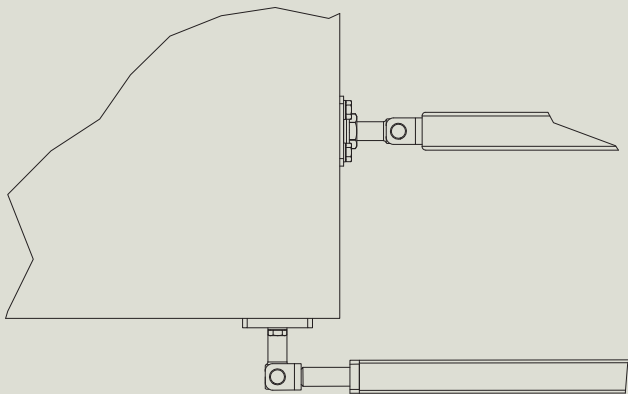
CODE: 1710913

L	A	B	C	D	E	F	G	H	SINGLE LEAF (TWO PANELS) max.
max.			min. / max.	min. / max.					kg
3000	130	90 - 275	1000 - 1500	300 - 1500	100	250	40	1800	110

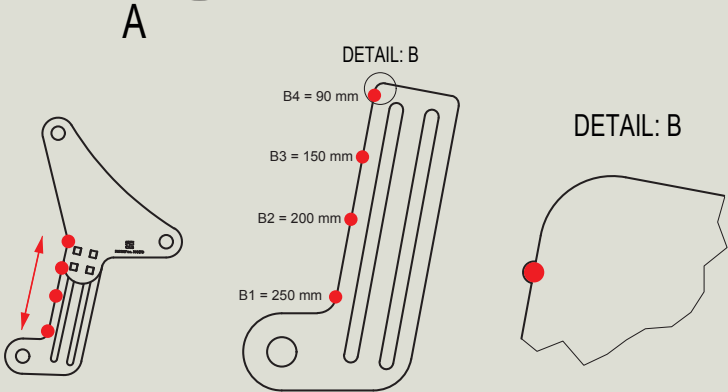
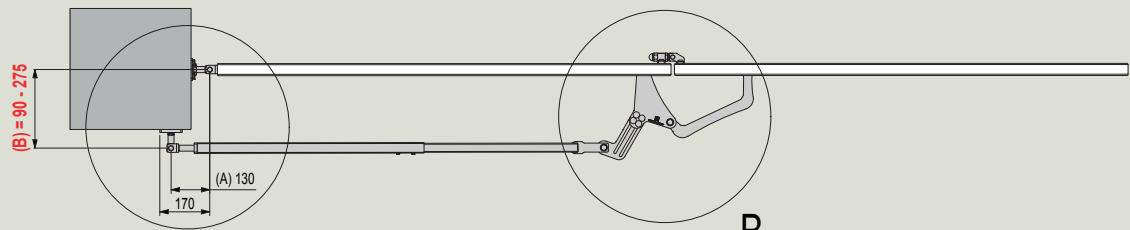
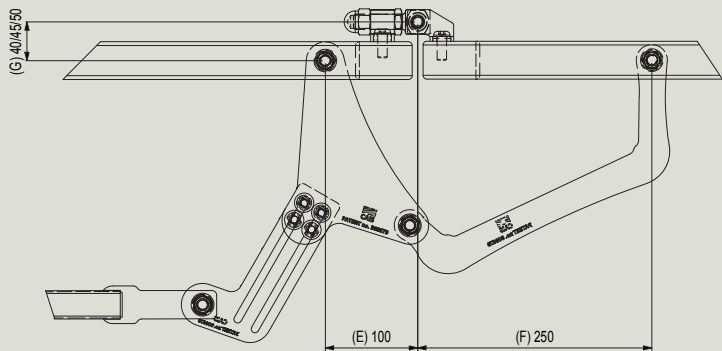
Valid for gate frame 60x40



A (1:8)



B (1:8)

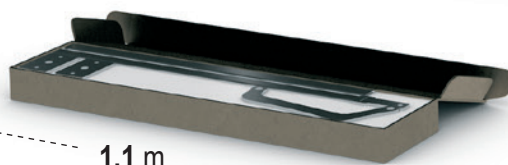


opening (°)	OPENING min. 70° / max. 110°			
	B1 (90)	B2 (160)	B3 (220)	B4 (275)
	B (mm)			
70 °	165	235	290	355
90 °	90	160	220	275
110 °	65	140	195	250

FRAME NOT INCLUDED

PATENT OFFICE
PATENTED OFFICE PRIKRYL HAS
REGISTERED AT INDUSTRIAL
PROPERTY OFFICE THE UTILITY
MODEL NUMBER 33757 FOR E-BOX
CANTILEVER GATE. PRODUCED BY
CAIS s.r.o.

6,00 m
max.



1,1 m

7,8 kg TWIN DRIVE 3.0

15 kg TWIN DRIVE 6.0

READY TO GO



CAIS INNOVATION

PATENT NO 308673 



TWIN DRIVE 6.0 E-BOX



ASSEMBLY VIDEO

TRACKLESS BI-FOLDING
SWING GATE HARDWARE
SPACE-SAVING FEATURE

TWIN DRIVE 6.0












BI-FOLDING DOUBLE LEAF SWING GATE HARDWARE
 SPACE-SAVING FEATURE
 MAX. 3,0 m SINGLE LEAF
 MAX. 110 kg
 HEIGHT MAX. 1,8 m
CENTRAL HINGES INCLUDED
HTW 140

CODE: 1710901

TWIN DRIVE 3.0

BI-FOLDING SINGLE LEAF SWING GATE HARDWARE
 SPACE-SAVING FEATURE
 MAX. 3,0 m SINGLE LEAF
 MAX. 110 kg
 HEIGHT MAX. 1,8 m
CENTRAL HINGES INCLUDED
HTW 140

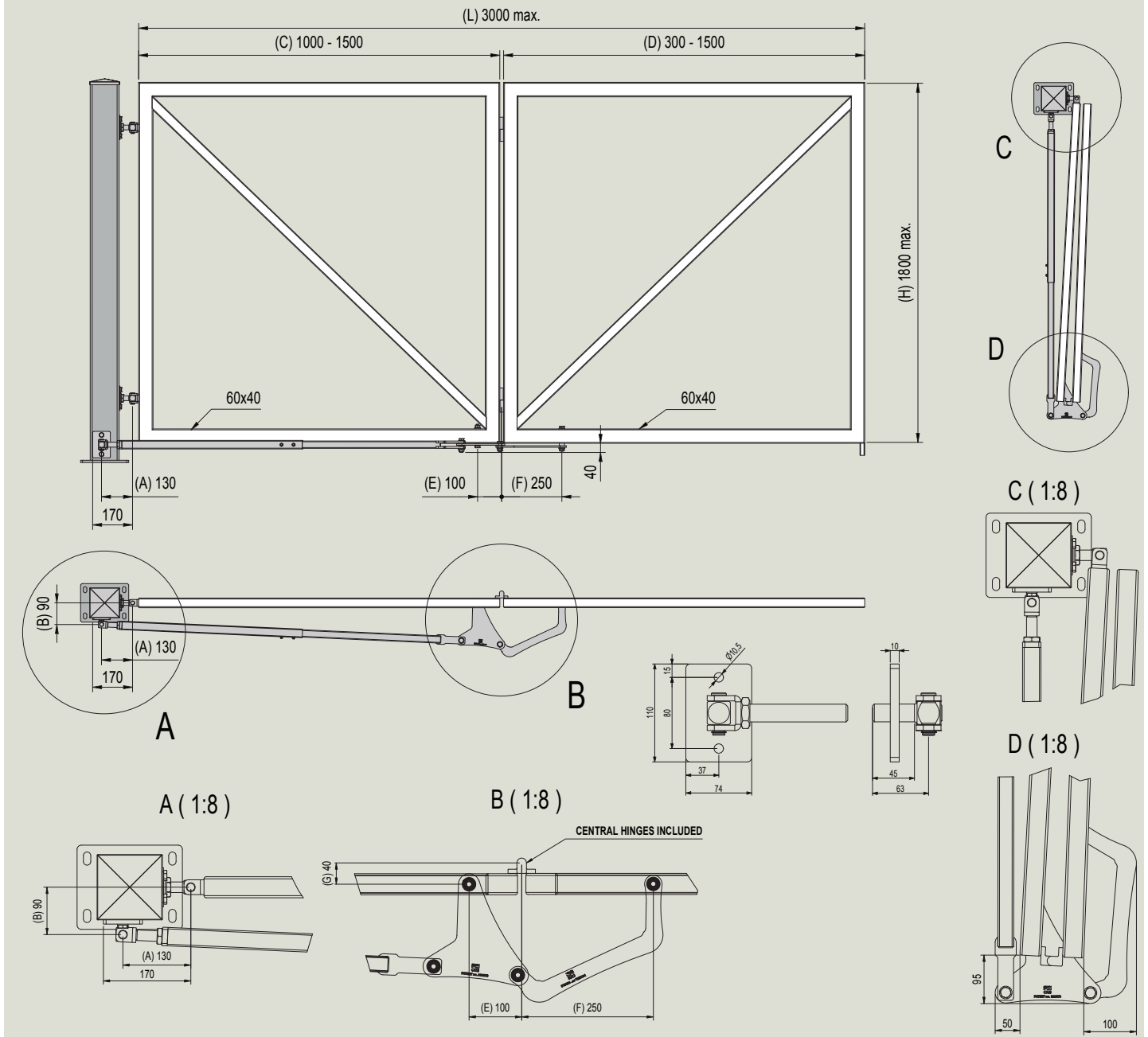
CODE: 1710902

-  NO WELDING REQUIRED
-  SPACE SAVING FEATURE
- 50% OF BACK SPACE
-  EASY ASSEMBLY
-  FAST NO WELDING REQUIRED
-  EASY TELESCOPIC ADJUSTMENT
-  SUITABLE FOR OFFSET LEAFS
100% + 50%
-  SUITABLE FOR ALL STANDARD HINGES WITH A SINGLE AXLE
-  50% WIND RESISTANCE
MAX. 50% LEAF CLOSURE
-  SUITABLE FOR ALL STANDARD AUTOMATIC GATE OPERATORS
-  - 37°C TESTED & PROVEN
-  + 50°C TESTED & PROVEN

-  TRACKLESS BI-FOLDING
-  COMPACT PACKAGE
-  EASY TRANSPORT
-  FOR RESIDENTIAL USE ONLY
-  **READY TO GO**
-  HIGH QUALITY GUARANTEED
-  CAIS INNOVATION
-  90° MAX. ANGLE
-  BOTTOM FIXED LEAF SAFETY FEATURE

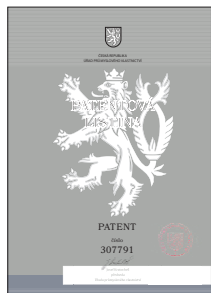
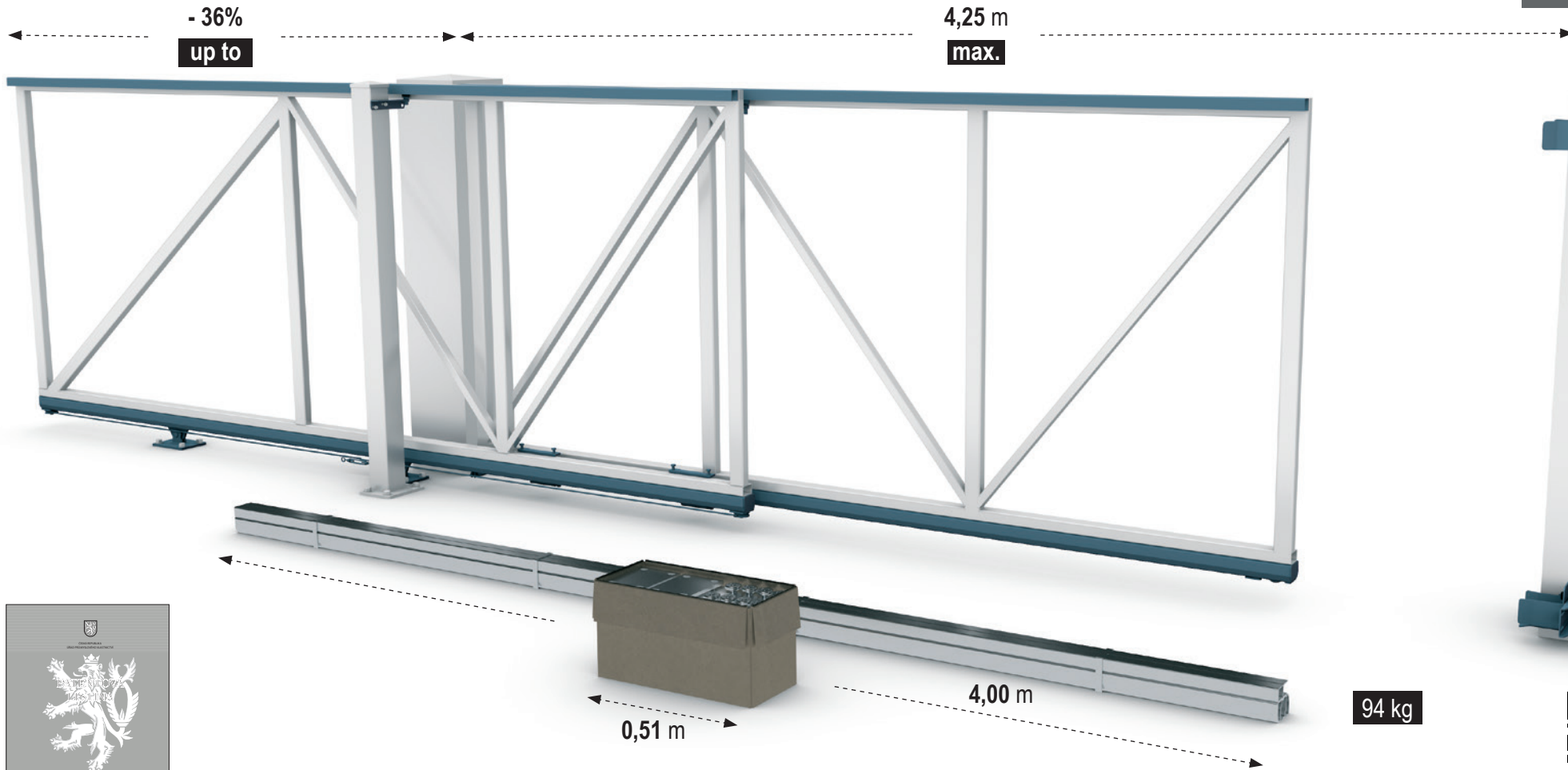
L	A	B	C	D	E	F	G	H	SINGLE LEAF (TWO PANELS) max.
max. 3000	130	90	min. / max. 1000- 1500	min. / max. 300 - 1500	100	250	40	1800	kg 110

Valid for gate frame 60x40

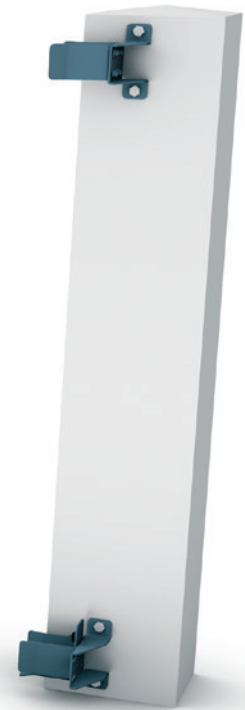


FRAME NOT INCLUDED

PATENT OFFICE
PATENTED OFFICE PRIKRYL HAS
REGISTERED AT INDUSTRIAL
PROPERTY OFFICE THE UTILITY
MODEL NUMBER 20 2017 107 572 FOR
TELESCOPIC CANTILEVER HARDWARE.
PRODUCED BY CAIS s.r.o.



PATENT NO 307791
CZECH REPUBLIC INDUSTRIAL PROPERTY OFFICE



94 kg



ASSEMBLY VIDEO

CAIS FOLLOW ME SET S 4.25






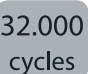














TRACKLESS TWINNED TELESCOPIC
CANTILEVER HARDWARE
SPACE-SAVING FEATURE

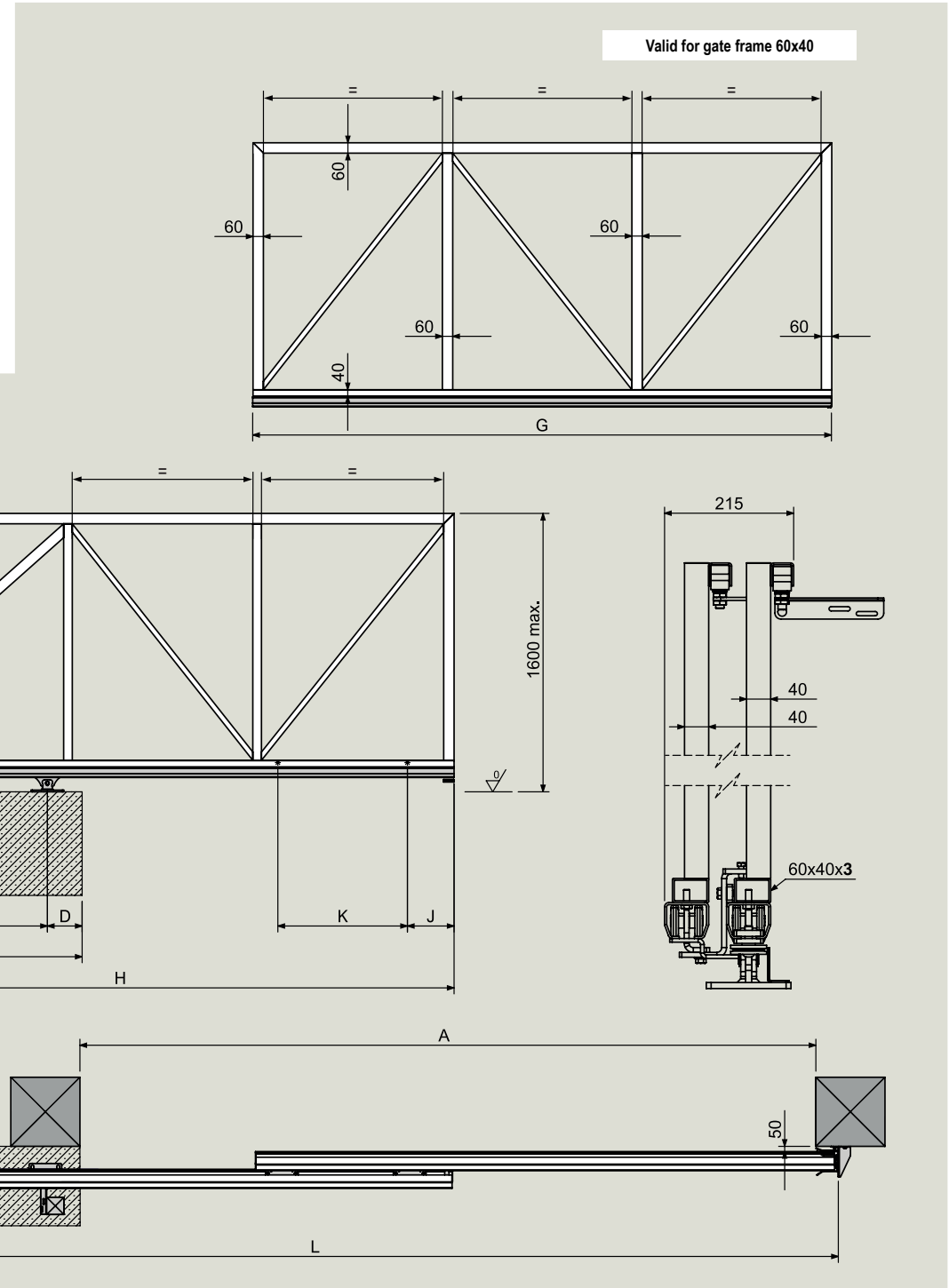
FOLLOW ME S 4.25

CODE: 1710900

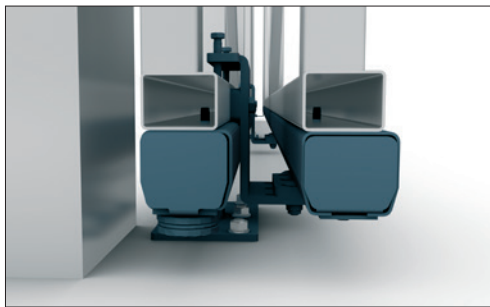
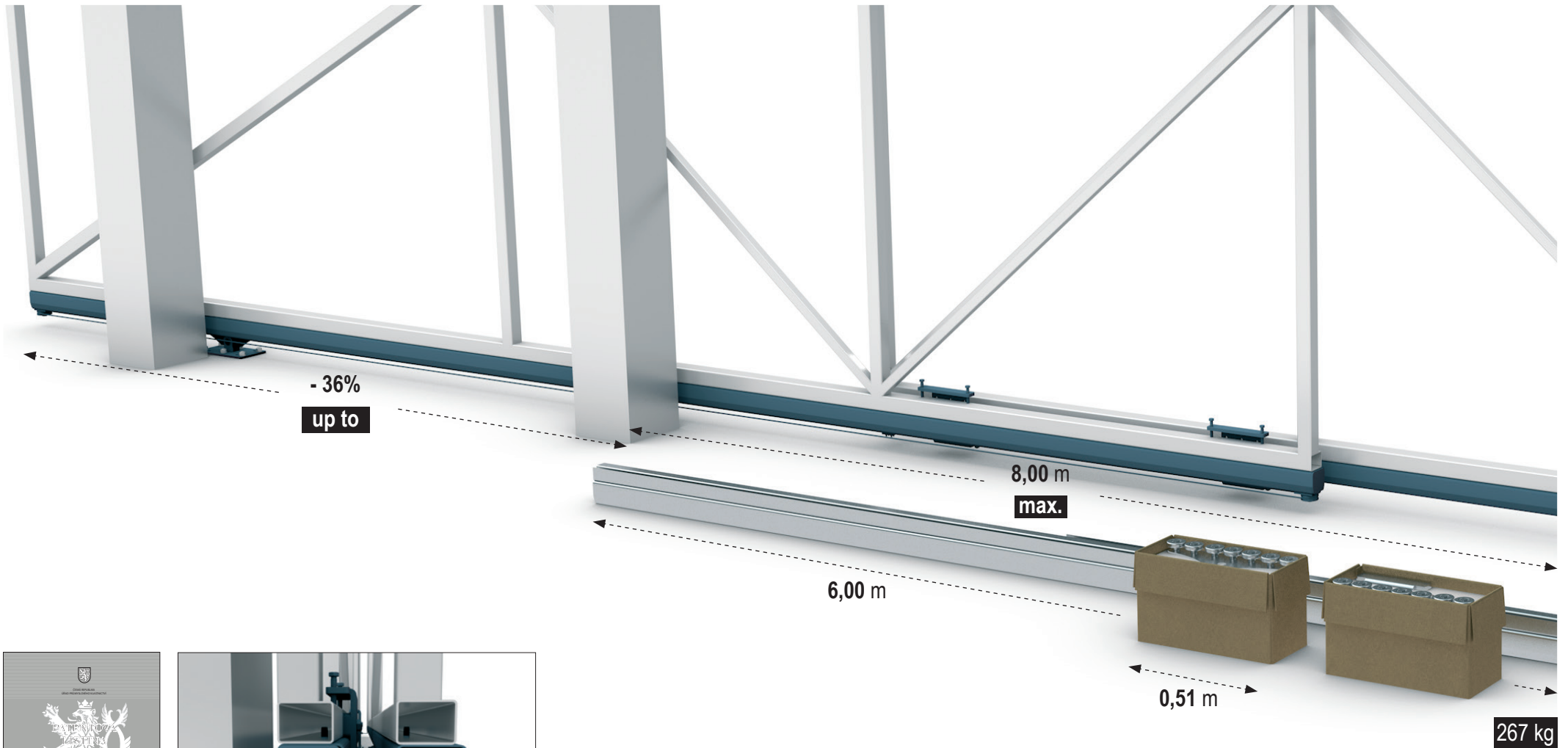
	mm; kg	mm; kg	mm; kg	mm; kg	mm; kg	mm; kg	mm; kg
A	2750	3000	3250	3500	3750	4000	4250
backspace	2722	2930	3138	3347	3555	3763	3972
max. weight gate	325 kg	325 kg	325 kg	325 kg	325 kg	325 kg	325 kg
B	817	900	983	1067	1150	1233	1317
C	1217	1300	1383	1467	1550	1633	1717
D	200	200	200	200	200	200	200
G	2228	2415	2603	2790	2978	3165	3353
H	2622	2830	3038	3247	3455	3663	3872
J	270	270	270	270	270	270	270
K	353	415	478	540	603	665	728
L	4067	4400	4733	5067	5400	5733	6067

MAX WEIGHT INCLUDING "C" TRACK AND FLYING CARRIAGES

-  FAST, DOUBLES SPEED OF OPENING
-  SPACE SAVING FEATURE - 36% OF TAILGATE SPACE
-  EASY ASSEMBLING
-  TWIN «C» TRACK CANTILEVER SYSTEM
-  3 AXES
-  32.000 CYCLES PROVEN & TESTED
-  270 g/m² HOT DIPPED GALVANIZED
-  + 50°C TESTED & PROVEN
-  - 37°C TESTED & PROVEN
-  SLOTTED HOLE PUNCHED EVERY 400mm IN TRACK
-  GALVANIZED INTERNAL EDGES
-  «C» TRACK SERIAL NO. 100% COMPATIBILITY CARRIAGE TESTED
-  GERMAN STEEL
-  20 BOLTS 20 RIVET NUTS INCLUDED
-  SAITABLE FOR SINGLE GUIDE POST
-  CARRIAGES CENTER HOLES MILLED NOT LASER CUT
-  MULTI RIVETED SECTIONS
-  JAPANESE ROBOTICS FANUC
-  UNIVERSITY OF TECHNOLOGY – BRNO
-  MADE IN CZECH REPUBLIC



FRAME NOT INCLUDED



PATENT NO 307791

CZECH REPUBLIC INDUSTRIAL PROPERTY OFFICE

CAIS FOLLOW ME SET M 8.0

NEW 






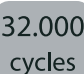














TRACKLESS TWINNED TELESCOPIC
CANTILEVER HARDWARE SET
SPACE-SAVING FEATURE

FOLLOW ME M 8.0

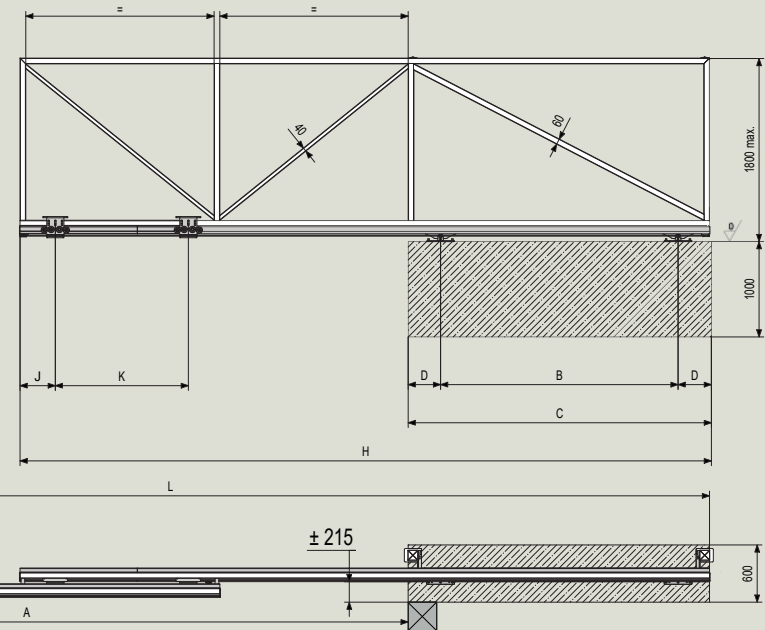
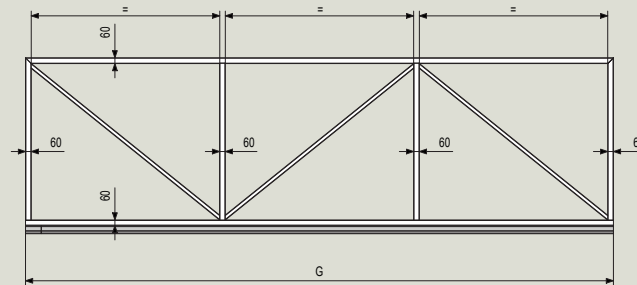
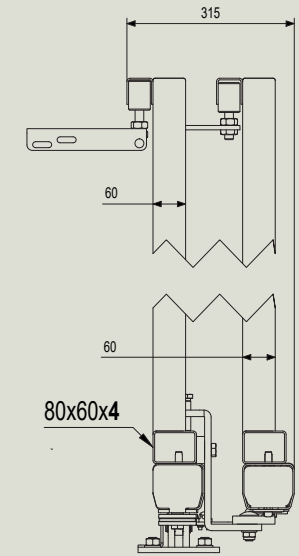
CODE: 1710910

	mm; kg	mm; kg	mm; kg	mm; kg	mm; kg	mm; kg	mm; kg
A	5000	5500	6000	6500	7000	7500	8000
backspace	4930	5330	5730	6130	6530	6930	7330
max. weight gate	500 kg	525 kg	550 kg	575 kg	600 kg	625 kg	650 kg
B	1600	1750	1900	2050	2200	2350	2500
C	2300	2450	2600	2750	2900	3050	3200
D	350	350	350	350	350	350	350
G	3915	4290	4665	5040	5415	5790	6165
H	4830	5230	5630	6030	6430	6830	7230
J	370	370	370	370	370	370	370
K	645	770	895	1020	1145	1270	1395
L	7400	8050	8700	9350	10000	10650	11300

MAX WEIGHT INCLUDING "C" TRACK AND FLYING CARRIAGES

-  FAST, DOUBLES SPEED OF OPENING
-  SPACE SAVING FEATURE - 36% OF TAILGATE SPACE
-  EASY ASSEMBLING
-  TWIN «C» TRACK CANTILEVER SYSTEM
-  3 AXES
-  32.000 cycles
-  270 g/m²
-  + 50°C TESTED & PROVEN
-  - 37°C TESTED & PROVEN
-  SLOTTED HOLE PUNCHED EVERY 400mm IN TRACK
-  GALVANIZED INTERNAL EDGES
-  «C» TRACK SERIAL NO. 100% COMPATIBILITY CARRIAGE TESTED
-  GERMAN STEEL
-  34 BOLTS 34 RIVET NUTS INCLUDED
-  FOURTEEN WHEELED LINEAR CARRIAGE
-  SUITABLE FOR SINGLE GUIDE POST
-  MULTI RIVETED SECTIONS
-  JAPANESE ROBOTICS FANUC
-  UNIVERSITY OF TECHNOLOGY – BRNO
-  MADE IN CZECH REPUBLIC

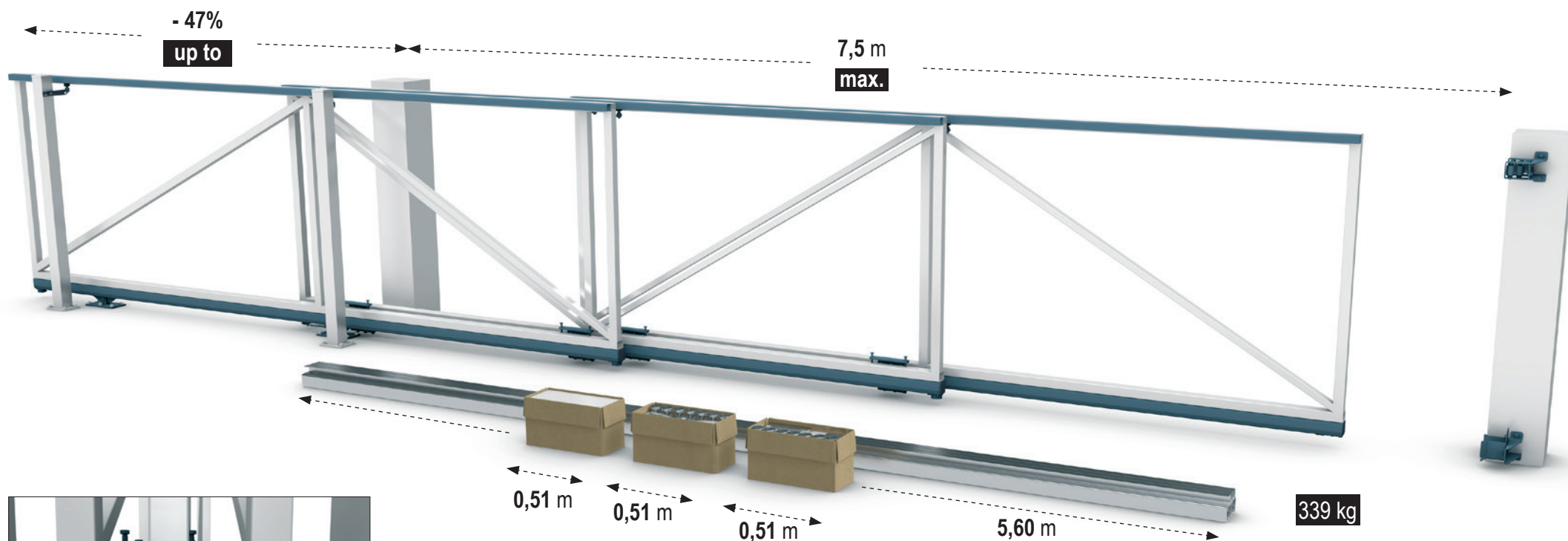
Valid for gate frame 80x60



FRAME NOT INCLUDED



ASSEMBLY VIDEO



CAIS TRIDENT SET 7.5

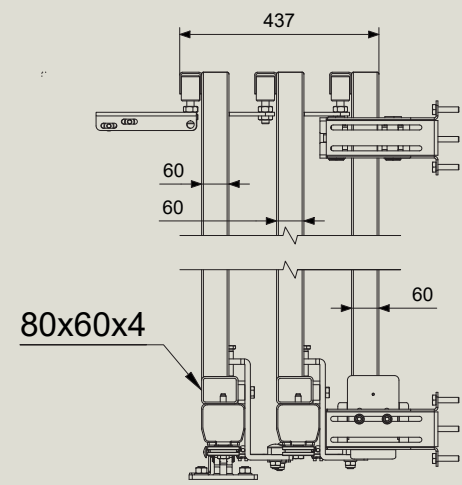
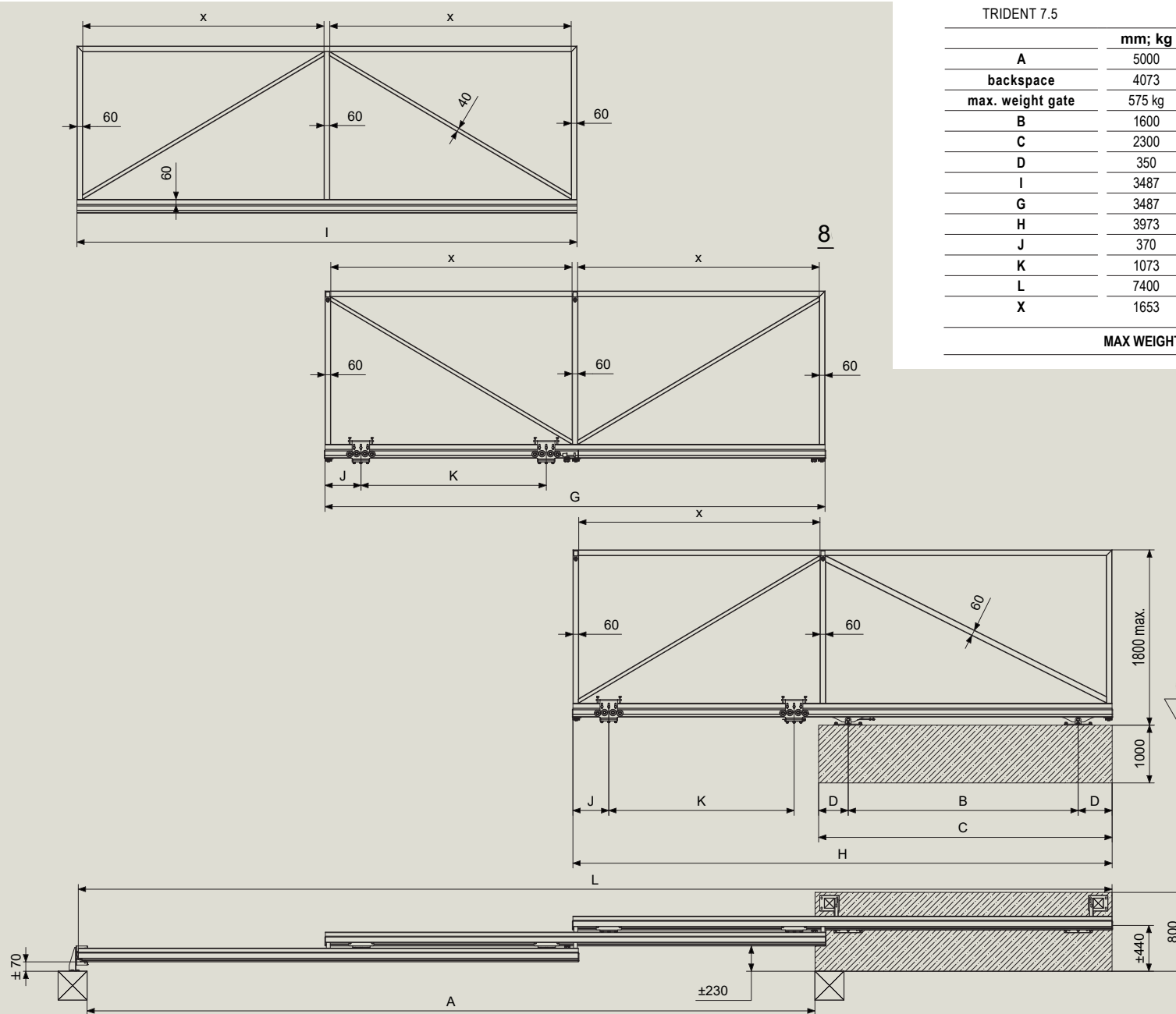
TRACKLESS TRIPLE TELESCOPIC
CANTILEVER HARDWARE SET
SPACE-SAVING FEATURE

TRIDENT 7.5

CODE: 1710910

	mm; kg	mm; kg	mm; kg	mm; kg	mm; kg	mm; kg
A	5000	5500	6000	6500	7000	7500
backspace	4073	4390	4707	5024	5341	5658
max. weight gate	575 kg	600 kg	625 kg	650 kg	675 kg	700 kg
B	1600	1750	1900	2050	2200	2350
C	2300	2450	2600	2750	2900	3050
D	350	350	350	350	350	350
I	3487	3820	4153	4486	4819	5152
G	3487	3820	4153	4486	4819	5152
H	3973	4290	4607	4924	5241	5558
J	370	370	370	370	370	370
K	1073	1240	1407	1574	1741	1908
L	7400	8050	8700	9350	10000	10650
X	1653	1820	1987	2154	2321	2488

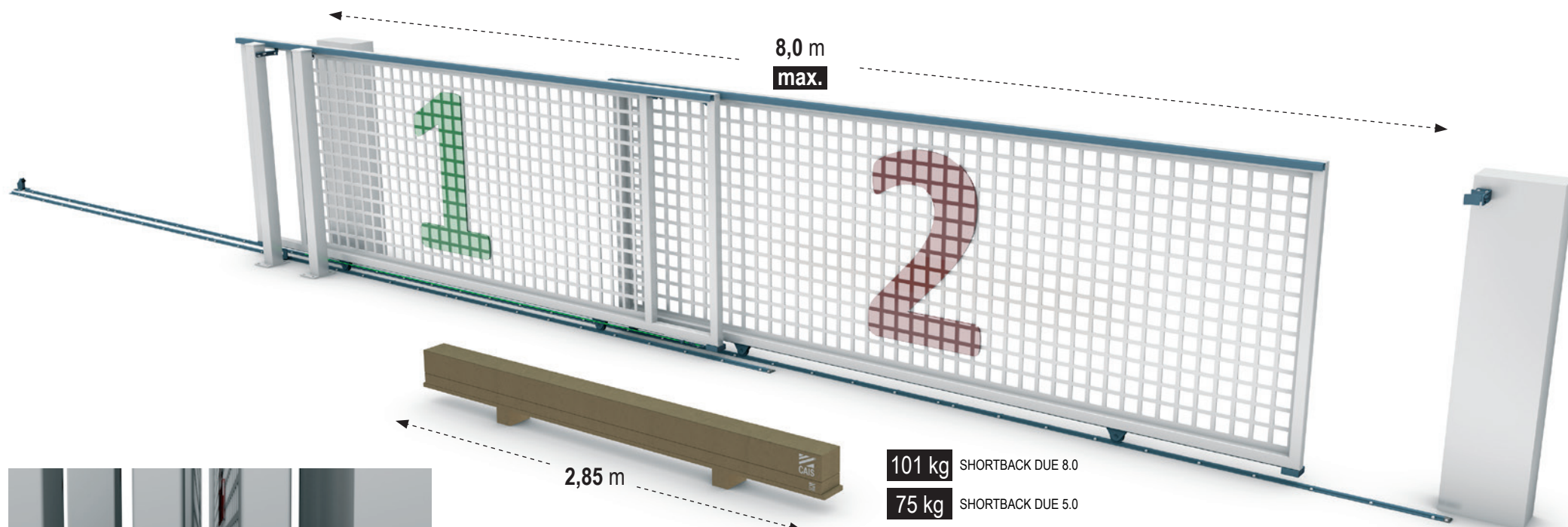
MAX WEIGHT INCLUDING "C" TRACK AND FLYING CARRIAGES



FRAME NOT INCLUDED



ASSEMBLY VIDEO

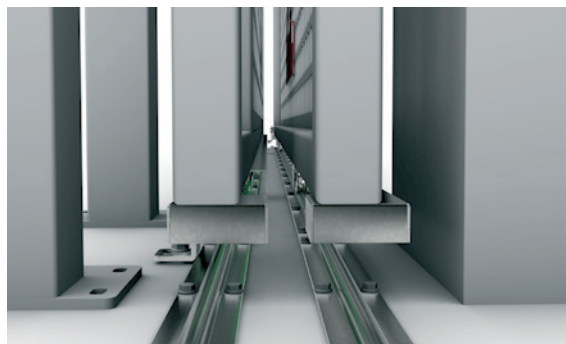


8,0 m
max.

2,85 m

101 kg SHORTBACK DUE 8.0

75 kg SHORTBACK DUE 5.0



NEW 

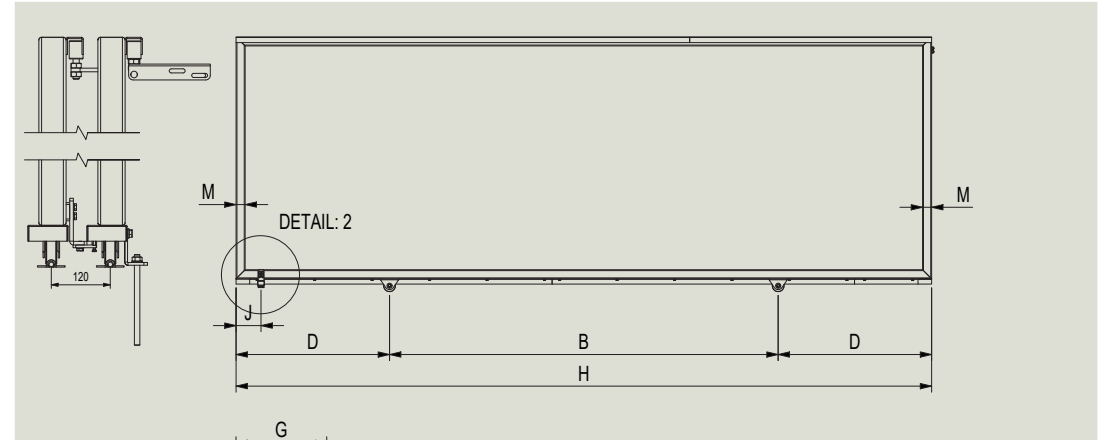


SHORTBACK DUE E-BOX

DOUBLE LEAF
TELESCOPIC TRACK
SLIDING GATE HARDWARE SET

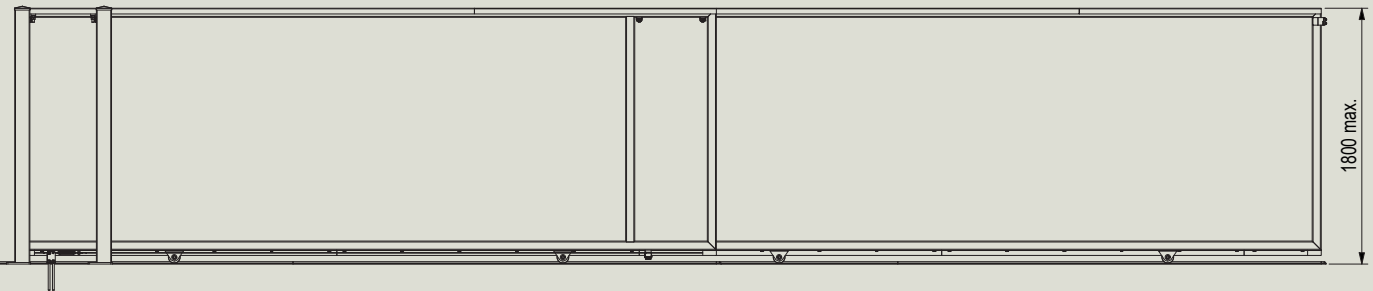
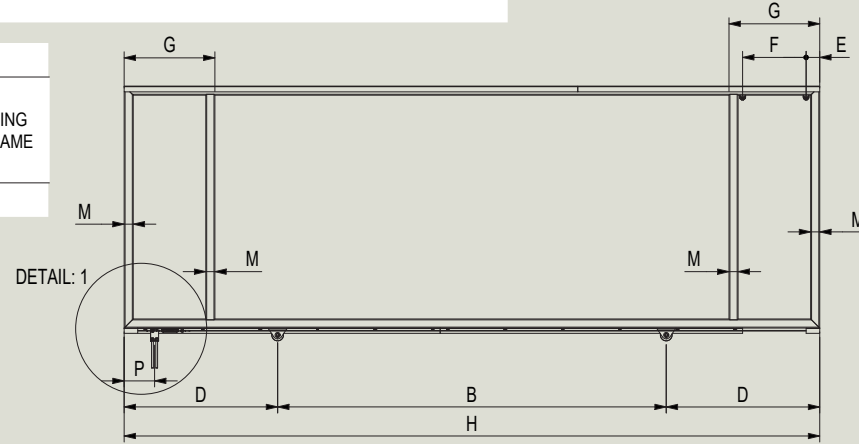
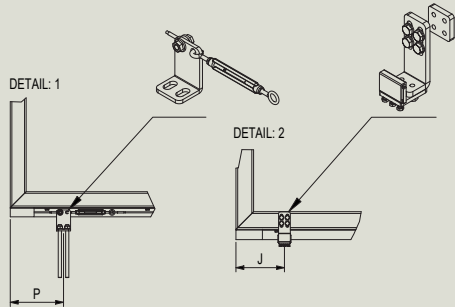
SHORTBACK DUE

	mm; kg	mm; kg	mm; kg	mm; kg	mm; kg	mm; kg	mm; kg	mm; kg	mm; kg	mm; kg	mm; kg
A	3000	3500	4000	4500	5000	5500	6000	6500	7000	7500	8000
backspace	2230	2480	2730	2980	3230	3480	3730	3980	4230	4480	4730
gate max. weight	310 kg	325 kg	340 kg	355 kg	370 kg	385 kg	400 kg	415 kg	430 kg	445 kg	460 kg
B	1065	1190	1315	1440	1565	1690	1815	1940	2065	2190	2315
D	533	595	658	720	783	845	908	970	1033	1095	1158
E	90	90	90	90	90	90	90	90	90	90	90
F	510	510	510	510	510	510	510	510	510	510	510
G	600	600	600	600	600	600	600	600	600	600	600
H	2130	2380	2630	2880	3130	3380	3630	3880	4130	4380	4630
J	165	165	165	165	165	165	165	165	165	165	165
L	5190	5940	6690	7440	8190	8940	9690	10440	11190	11940	12690
M	60	60	60	60	60	60	60	60	60	60	60
O = overlap	60	60	60	60	60	60	60	60	60	60	60
P	190	190	190	190	190	190	190	190	190	190	190



SHORTBACK DUE 5.0
 5.0 m DOUBLE LEAF,
 TELESCOPIC TRACK SLIDING
 GATE HARDWARE SET (FRAME
 NOT INCLUDED)
 CODE: 1710916

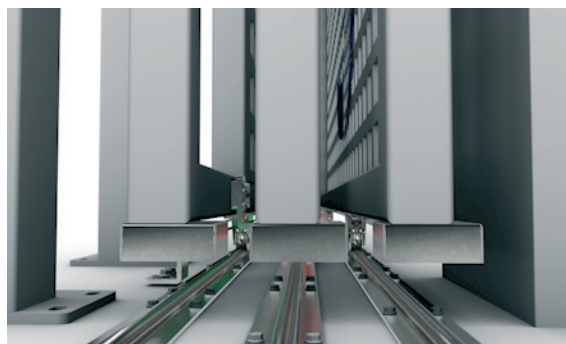
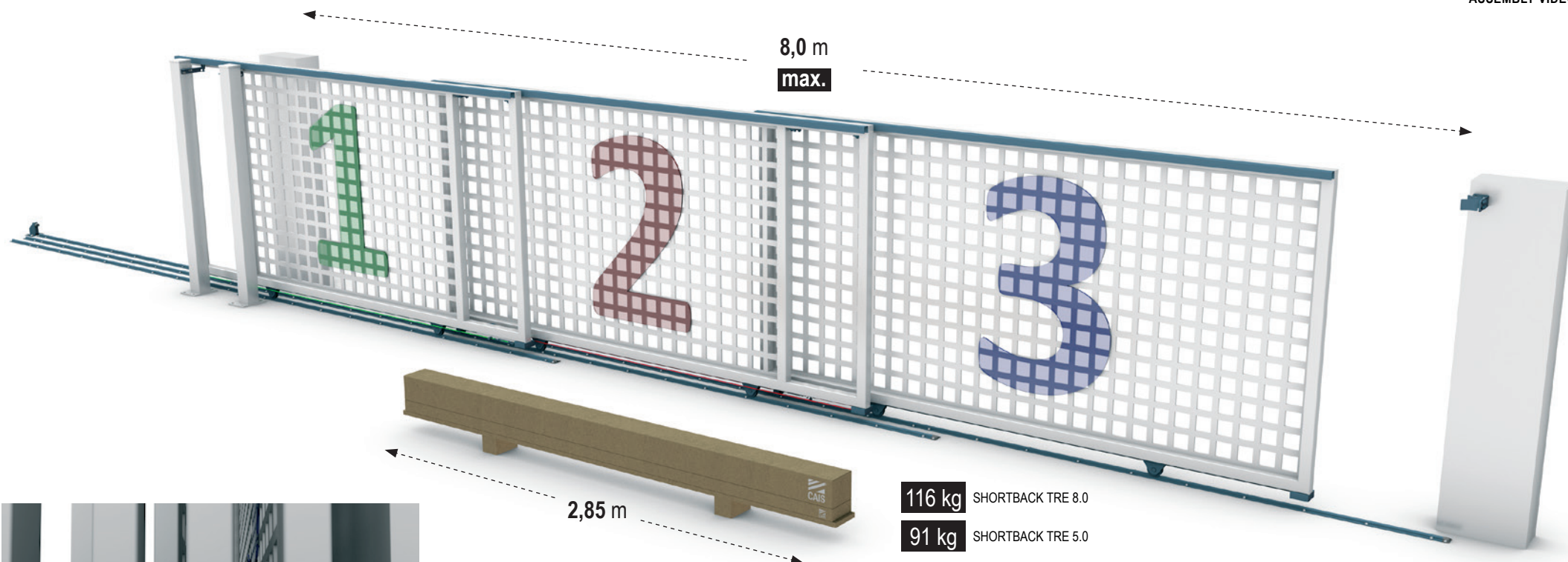
SHORTBACK DUE 8.0
 8.0 m DOUBLE LEAF,
 TELESCOPIC TRACK SLIDING
 GATE HARDWARE SET (FRAME
 NOT INCLUDED)
 CODE: 1710917



FRAME NOT INCLUDED



ASSEMBLY VIDEO



NEW 

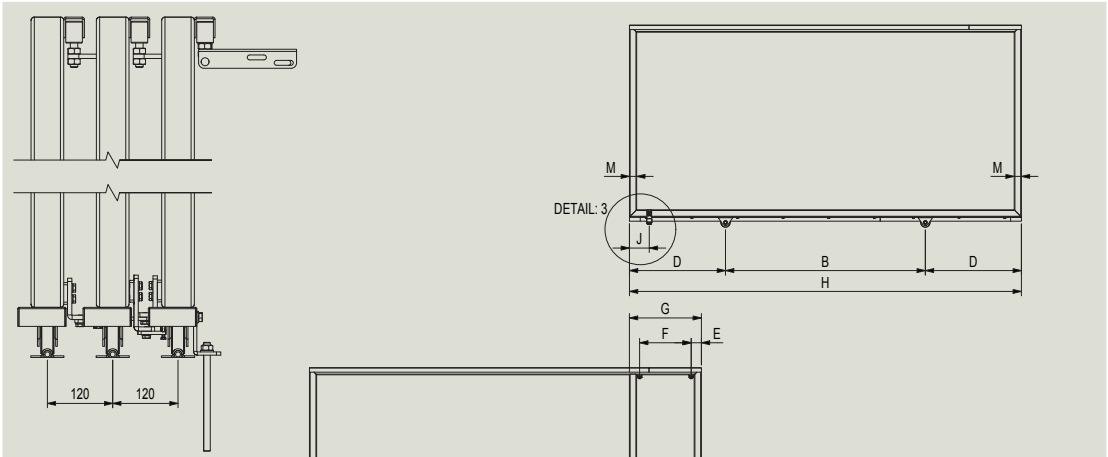


SHORTBACK TRE E-BOX

TRIPLE LEAF
TELESCOPIC TRACK
SLIDING GATE HARDWARE SET

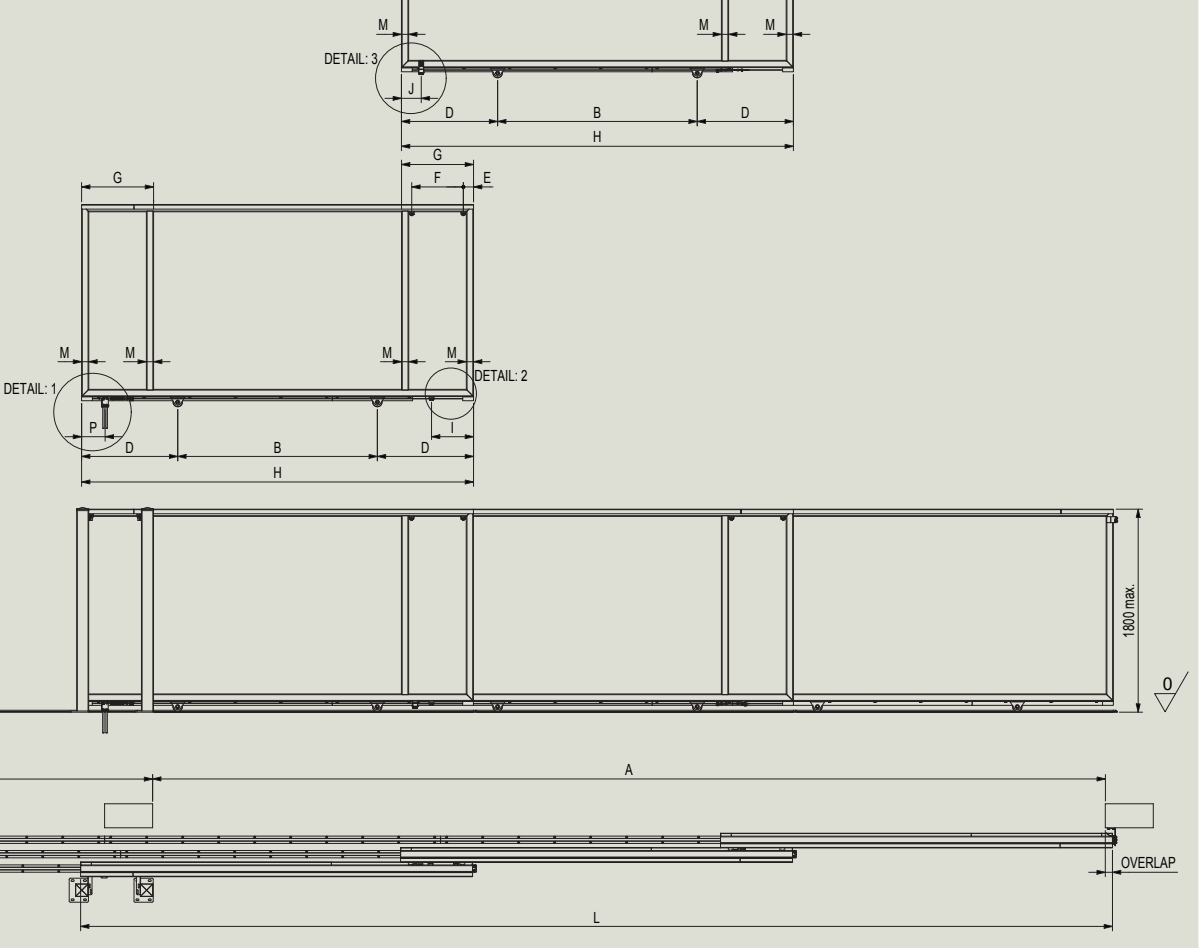
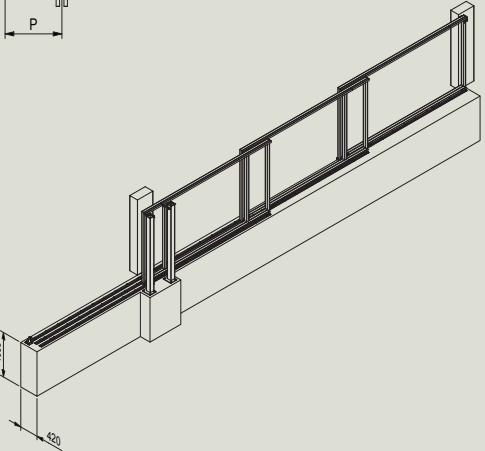
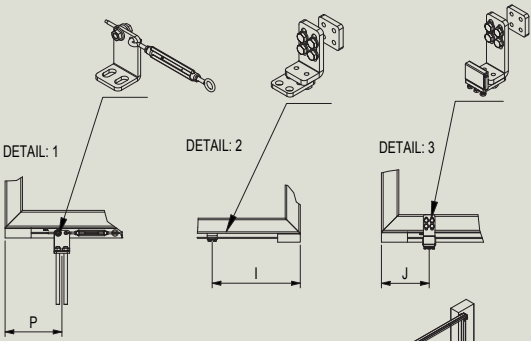
SHORTBACK TRE

	mm; kg	mm; kg	mm; kg	mm; kg	mm; kg	mm; kg	mm; kg	mm; kg	mm; kg	mm; kg	mm; kg
A - driveway	3000	3500	4000	4500	5000	5500	6000	6500	7000	7500	8000
backspace	1720	1887	2053	2220	2387	2553	2720	2887	3053	3220	3387
gate max. weight	310 kg	325 kg	340 kg	355 kg	370 kg	385 kg	400 kg	415 kg	430 kg	445 kg	460 kg
B	810	893	977	1060	1143	1227	1310	1393	1477	1560	1643
D	405	447	488	530	572	613	655	697	738	780	822
E	90	90	90	90	90	90	90	90	90	90	90
F	510	510	510	510	510	510	510	510	510	510	510
G	600	600	600	600	600	600	600	600	600	600	600
H	1620	1787	1953	2120	2287	2453	2620	2787	2953	3120	3287
I	200	200	200	200	200	200	200	200	200	200	200
J	165	165	165	165	165	165	165	165	165	165	165
L	3660	4160	4660	5160	5660	6160	6660	7160	7660	8160	8660
M	60	60	60	60	60	60	60	60	60	60	60
O = overlap	60	60	60	60	60	60	60	60	60	60	60
P	190	190	190	190	190	190	190	190	190	190	190



SHORTBACK TRE 5.0
 5.0 m TRIPLE LEAF,
 TELESCOPIC TRACK SLIDING
 GATE HARDWARE SET (FRAME
 NOT INCLUDED)
 CODE: 1710918

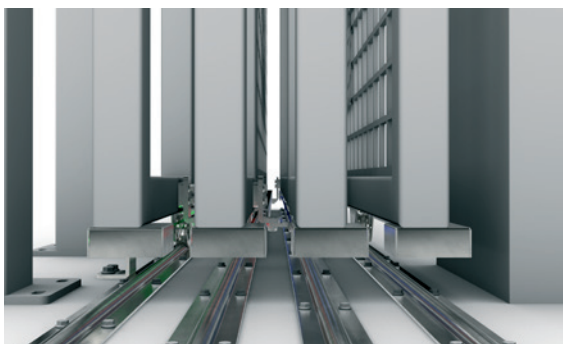
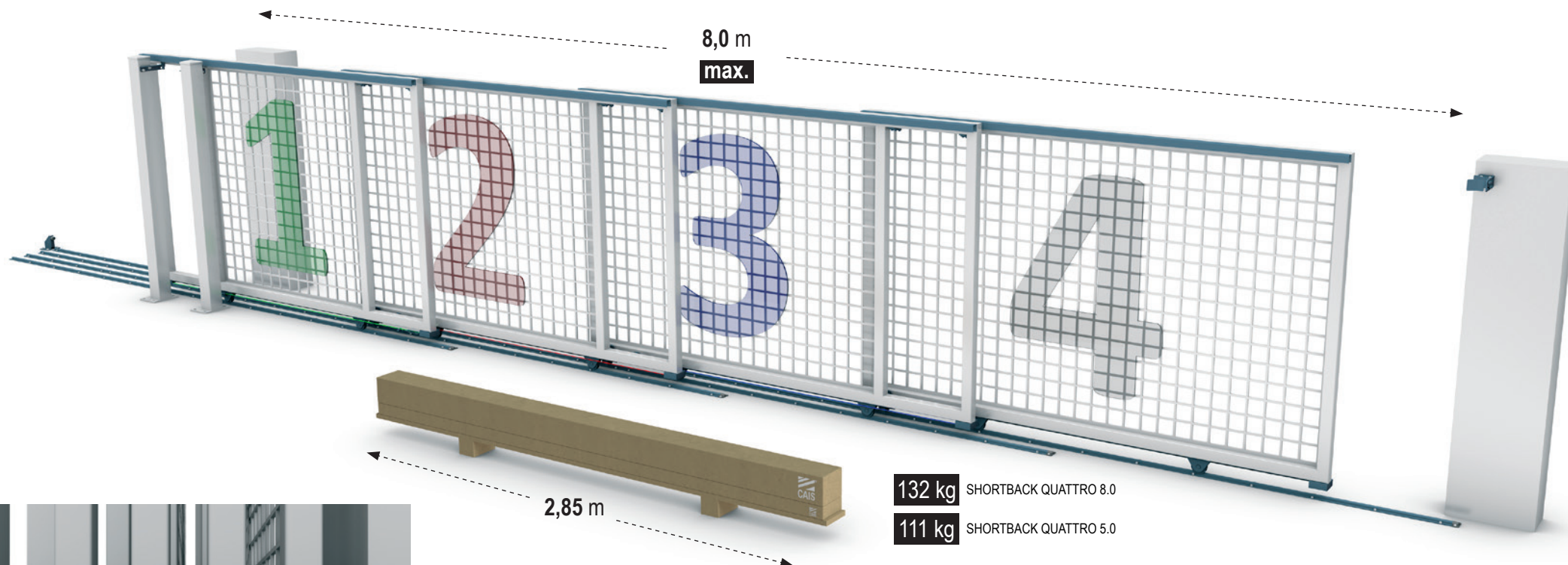
SHORTBACK TRE 8.0
 8.0 m TRIPLE LEAF,
 TELESCOPIC TRACK SLIDING
 GATE HARDWARE SET (FRAME
 NOT INCLUDED)
 CODE: 1710919



FRAME NOT INCLUDED



ASSEMBLY VIDEO



NEW

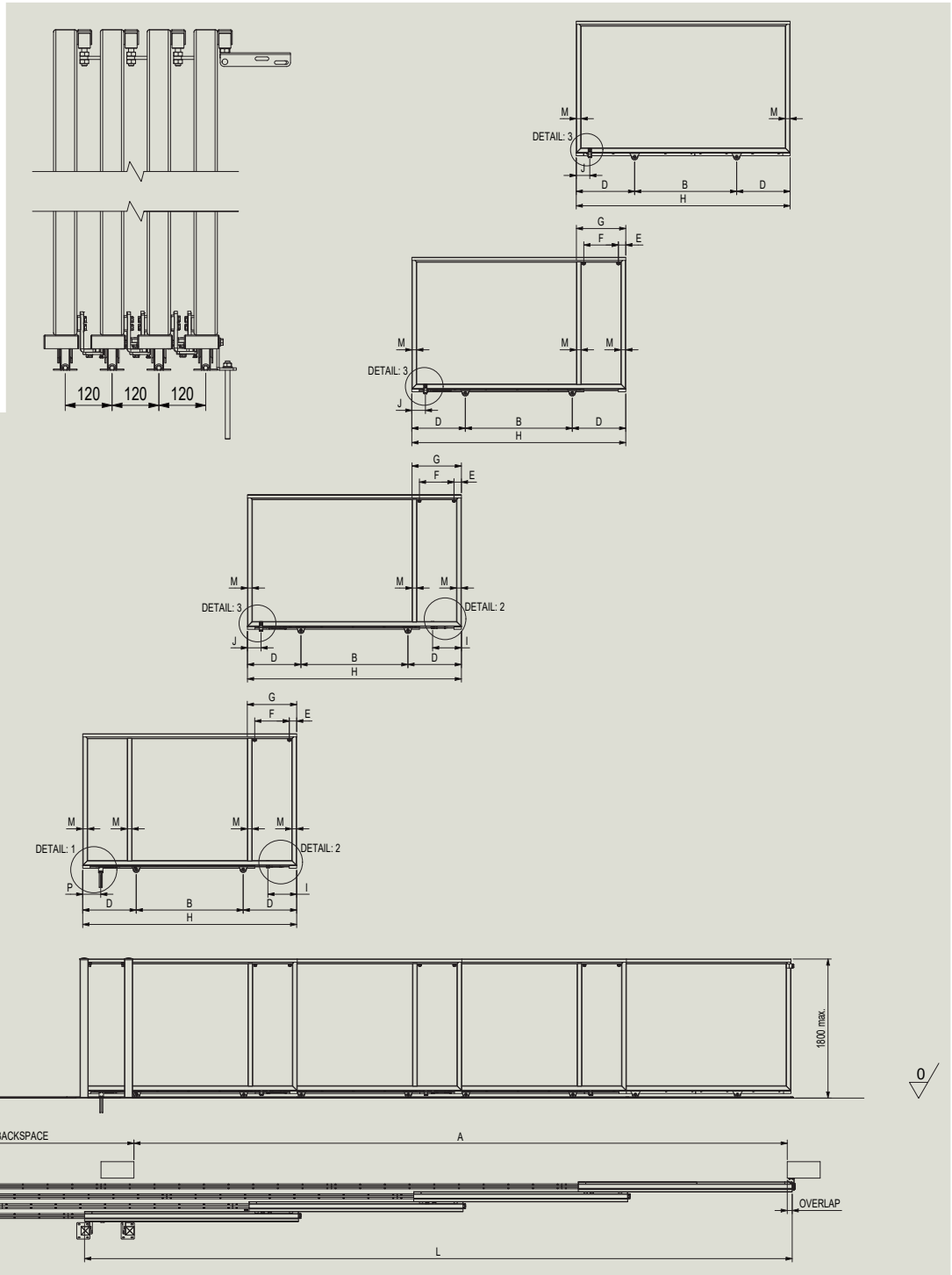


SHORTBACK QUATTRO E-BOX

QUADRUPLE LEAF
TELESCOPIC TRACK
SLIDING GATE
HARDWARE SET

SHORTBACK QUATTRO

	mm; kg	mm; kg	mm; kg	mm; kg	mm; kg	mm; kg	mm; kg	mm; kg	mm; kg	mm; kg	mm; kg
A - DRIVEWAY	3000	3500	4000	4500	5000	5500	6000	6500	7000	7500	8000
backspace	1465	1590	1715	1840	1965	2090	2215	2340	2465	2590	2715
gate max. weight	310 kg	325 kg	340 kg	355 kg	370 kg	385 kg	400 kg	415 kg	430 kg	445 kg	460 kg
B	683	745	808	870	933	995	1058	1120	1183	1245	1308
D	341	373	404	435	466	498	529	560	591	623	654
E	90	90	90	90	90	90	90	90	90	90	90
F	510	510	510	510	510	510	510	510	510	510	510
G	600	600	600	600	600	600	600	600	600	600	600
H	1365	1490	1615	1740	1865	1990	2115	2240	2365	2490	2615
I	200	200	200	200	200	200	200	200	200	200	200
J	165	165	165	165	165	165	165	165	165	165	165
L	3660	4160	4660	5160	5660	6160	6660	7160	7660	8160	8660
M	60	60	60	60	60	60	60	60	60	60	60
OVERLAP	60	60	60	60	60	60	60	60	60	60	60
P	190	190	190	190	190	190	190	190	190	190	190



SHORTBACK QUATTRO 5.0

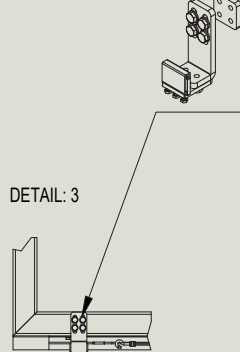
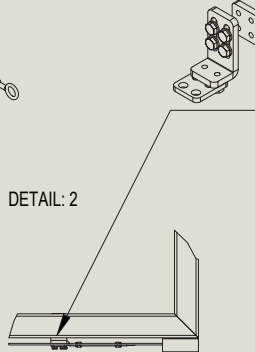
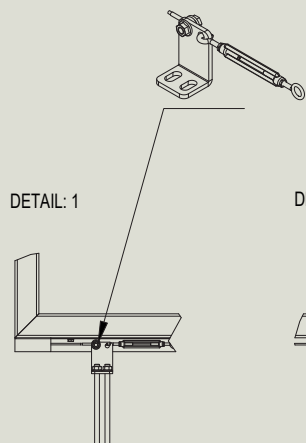
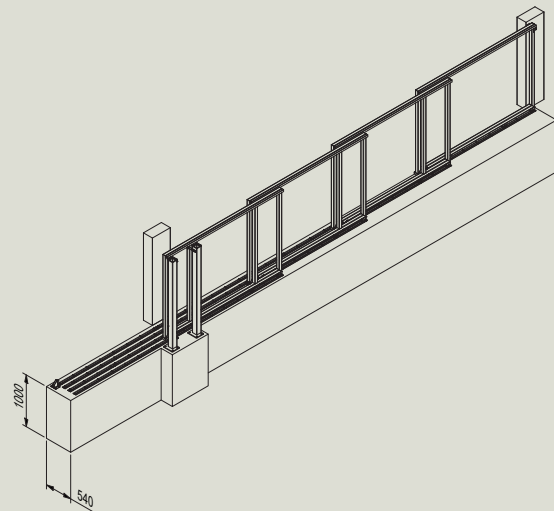
5.0 m QUADRUPLE LEAF, TELESCOPIC TRACK SLIDING GATE HARDWARE SET (FRAME NOT INCLUDED)

CODE: 1710920

SHORTBACK QUATTRO 8.0

8.0 m QUADRUPLE LEAF, TELESCOPIC TRACK SLIDING GATE HARDWARE SET (FRAME NOT INCLUDED)

CODE: 1710921



FRAME NOT INCLUDED



READY TO GO



ASSEMBLY VIDEO

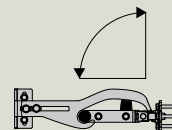
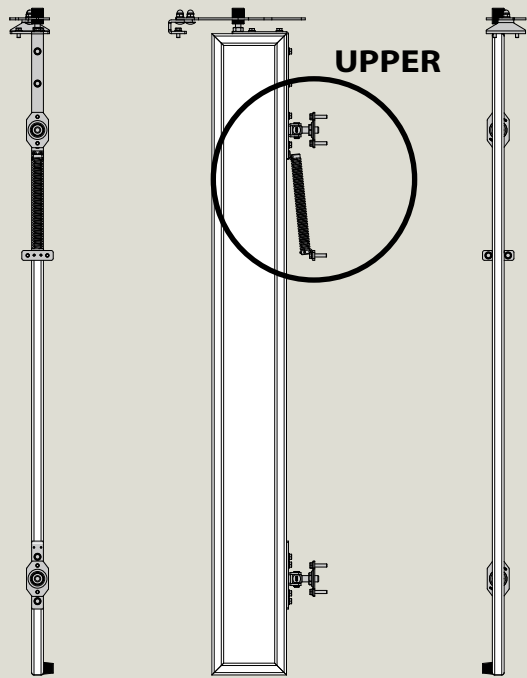
NEW 

 **SNAPCLIP** E-BOX

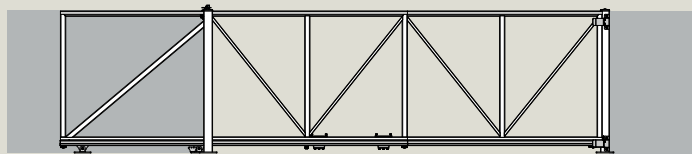
SELF-CLOSING ENTRAPMENT GUARD HARDWARE SET
FOR CANTILEVER AND TRACK TELESCOPIC GATES

LEFT OPENING

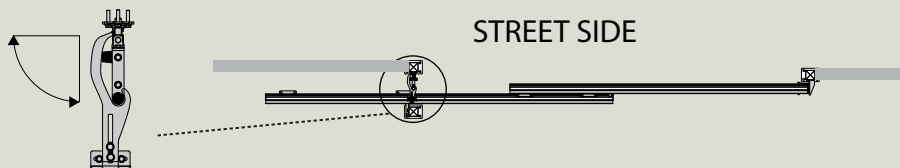
CODE: 1710914



LEFT OPENING



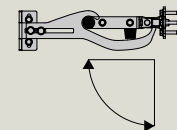
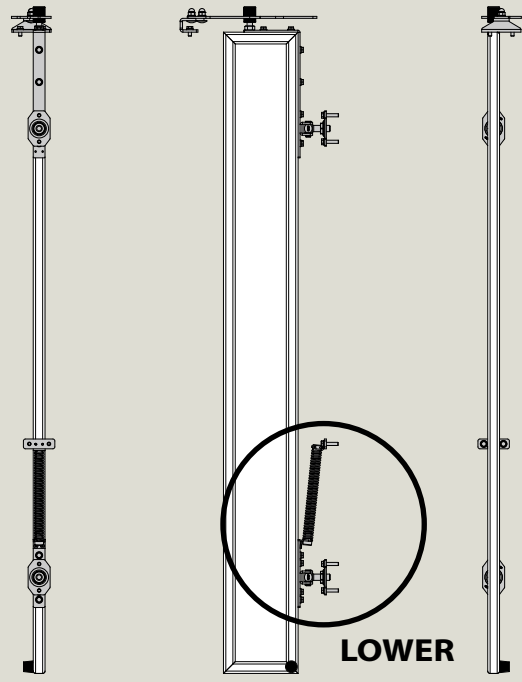
STREET SIDE



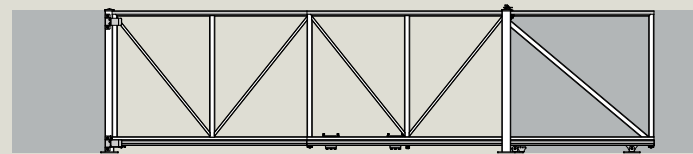
FRAME NOT INCLUDED

RIGHT OPENING

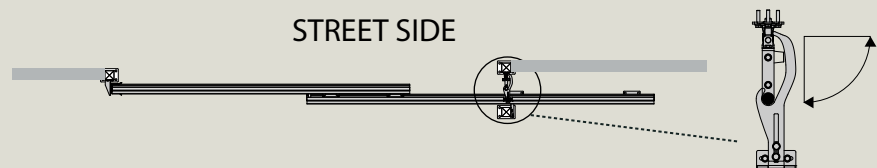
CODE: 1710914



RIGHT OPENING



STREET SIDE



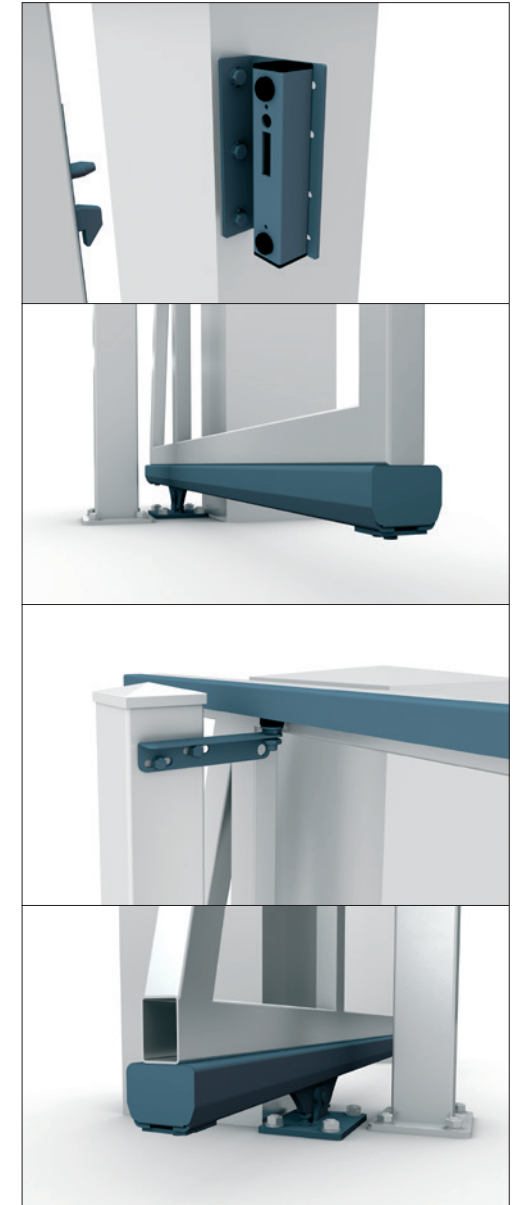
FRAME NOT INCLUDED



READY TO GO

NEW 

 **SLYDER SET 1.3**














CANTILEVER HARDWARE SET
FOR PEDESTRIAN SLIDING DOOR











SLYDER SET 1.3

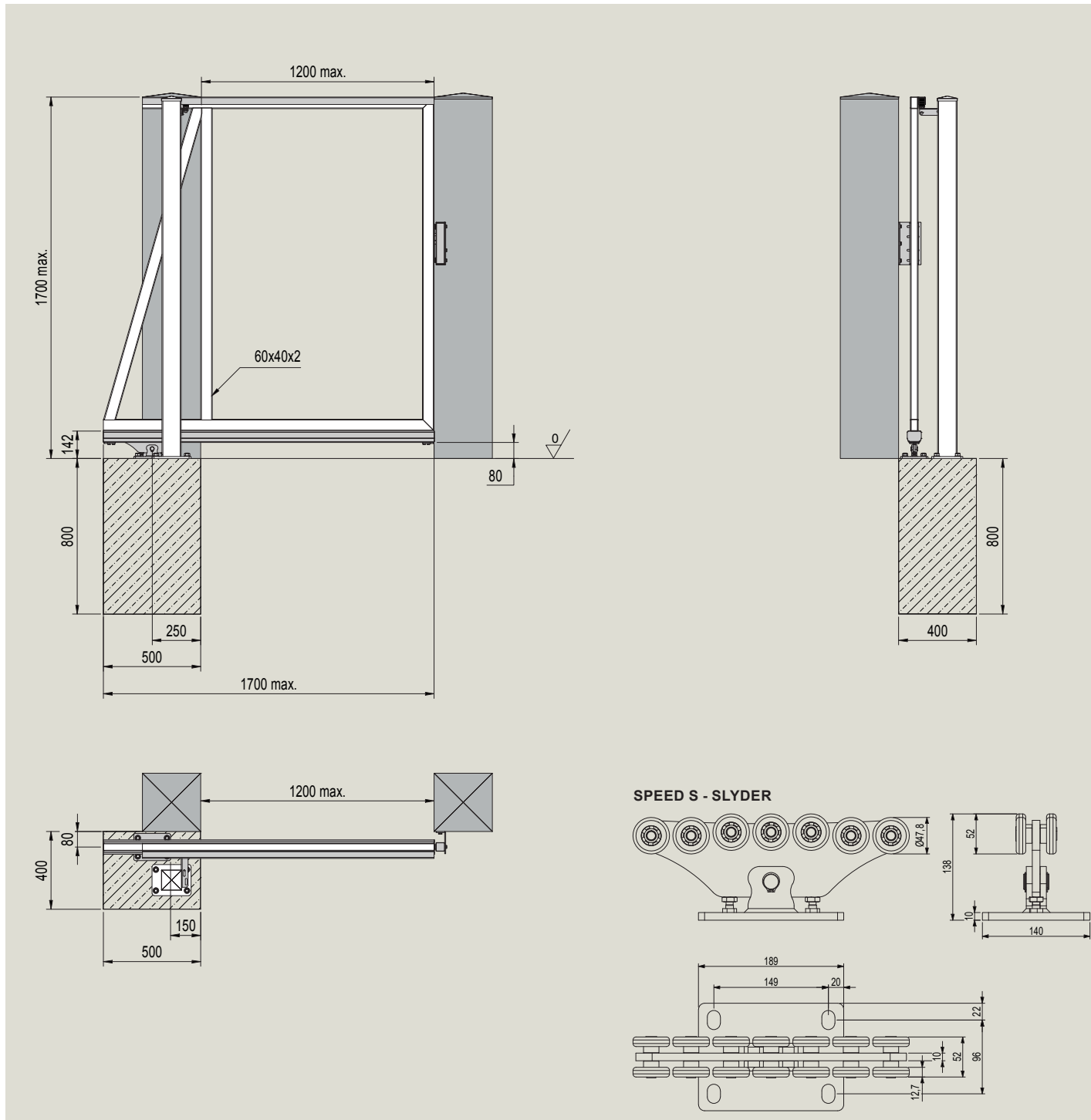
- SPEED S - SLYDER 1 pc
- STAGE SZ 1,8 1 pc
- DRIVER 38/1,5 1 pc
- FINISH S 1 pc
- PILOT SN 2 pcs
- LOCK S 1 pc
- DOCK SLY 1 pc
- PARK SLY 1 pc
- JRS 30 1 pc
- BOLT M10x25 5 pcs
- RIVET NUT 5 pcs

Total weight = 23,7 kg

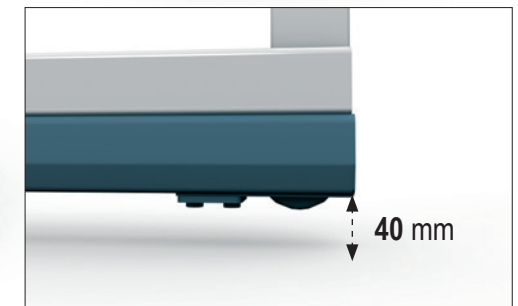
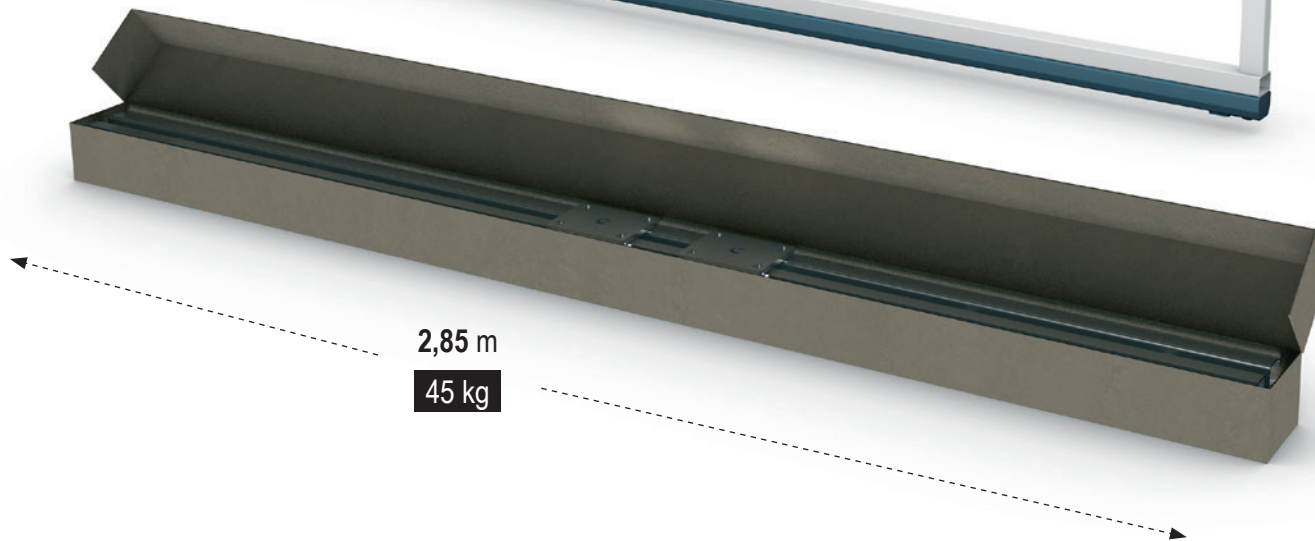
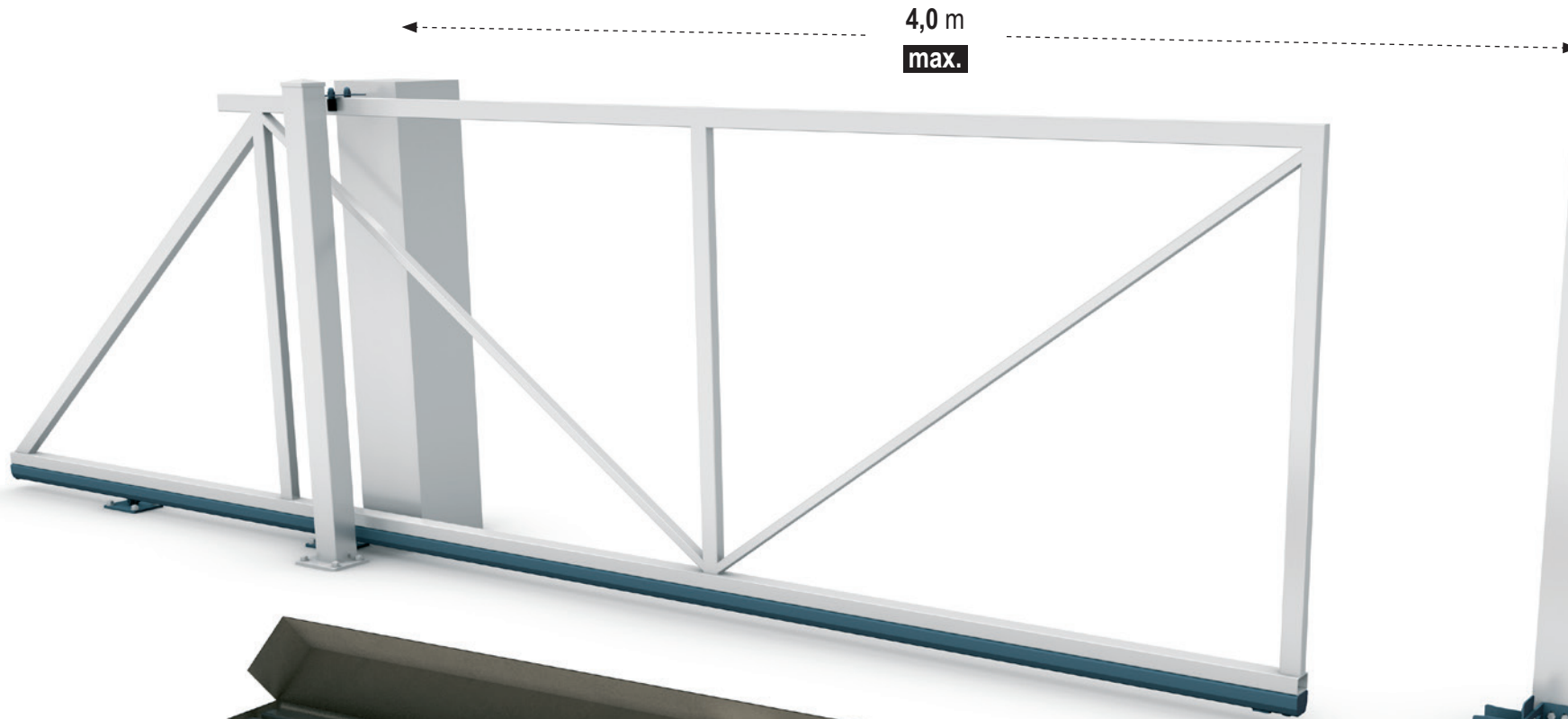
CODE: 1710915

-  PEDESTRIAN USE ONLY
-  PEDESTRIAN CANTILEVER SLIDING GATE HARDWARE
-  NO WELDING REQUIRED
-  EASY ASSEMBLY
-  FAST NO WELDING REQUIRED
-  5 BOLTS 5 RIVET NUTS INCLUDED
-  «C» TRACK SERIAL NO. 100% COMPATIBILITY CARRIAGE TESTED
N°239892
-  GERMAN STEEL
-  270 g/m² HOT DIPPED GALVANIZED
-  ARROW STRAIGHT «C» TRACK
-  SPEED S SLYDER 14 WHEELED CARRIAGE

-  SLOTTED HOLE PUNCHED EVERY 400mm IN TRACK
-  C 2 HIGH QUALITY BEARINGS
-  CARRIAGES CENTER HOLES MILLED NOT LASER CUT
-  MULTI RIVETED SECTIONS
-  JPN JAPANESE ROBOTICS FANUC
-  R&D UNIVERSITY OF TECHNOLOGY – BRNO
-  - 37°C TESTED & PROVEN
-  + 50°C TESTED & PROVEN
-  CZ MADE IN CZECH REPUBLIC
-  READY TO GO



FRAME NOT INCLUDED



READY TO GO

NEW 

 **LOWCUT E-BOX 4.0**

LOW HEIGHT - 40 MM
CANTILEVER HARDWARE

E-BOX LOWCUT 4.0

	mm; kg	mm; kg	mm; kg	mm; kg	mm; kg	mm; kg
A	3000	3200	3400	3600	3800	4000
max. weight gate	240 kg	240 kg	240 kg	240 kg	240 kg	240 kg
B	900	960	1020	1080	1140	1200
C	1300	1360	1420	1480	1540	1600
D	270	270	270	270	270	270
F	130	130	130	130	130	130

E-BOX LOWCUT 4.0

- SPEED S - LOWCUT 2 pcs
- STAGE SZ 2,8 m 2 pcs
- RUN S 1 pc
- LAST S 1 pc
- PARK CSM 1 pc
- PILOT SN 1 pc
- PILOT SR 1 pc
- FRS 2 1 pc
- BOLT M10x25 15 pcs
- RIVET NUT 15 pcs

Total weight = 45 kg

CODE: 1710123

40 MM LOW HEIGHT
"C" TRACK

EASY
ASSEMBLY

FAST
NO WELDING
REQUIRED

15 BOLTS
15 RIVET NUTS
INCLUDED (*)

«C» TRACK SERIAL NO.
100% COMPATIBILITY
CARRIAGE TESTED

GERMAN
STEEL

270
g/m²

HOT DIPPED
GALVANIZED

ARROW STRAIGHT
«C» TRACK

SLOTTED HOLE
PUNCHED EVERY
400mm IN TRACK

MADE IN
CZECH REPUBLIC

C 2
HIGH QUALITY
BEARINGS

CARRIAGES CENTER
HOLES MILLED
NOT LASER CUT

MULTI RIVETED
SECTIONS

JAPANESE ROBOTICS
FANUC

UNIVERSITY OF
TECHNOLOGY – BRNO

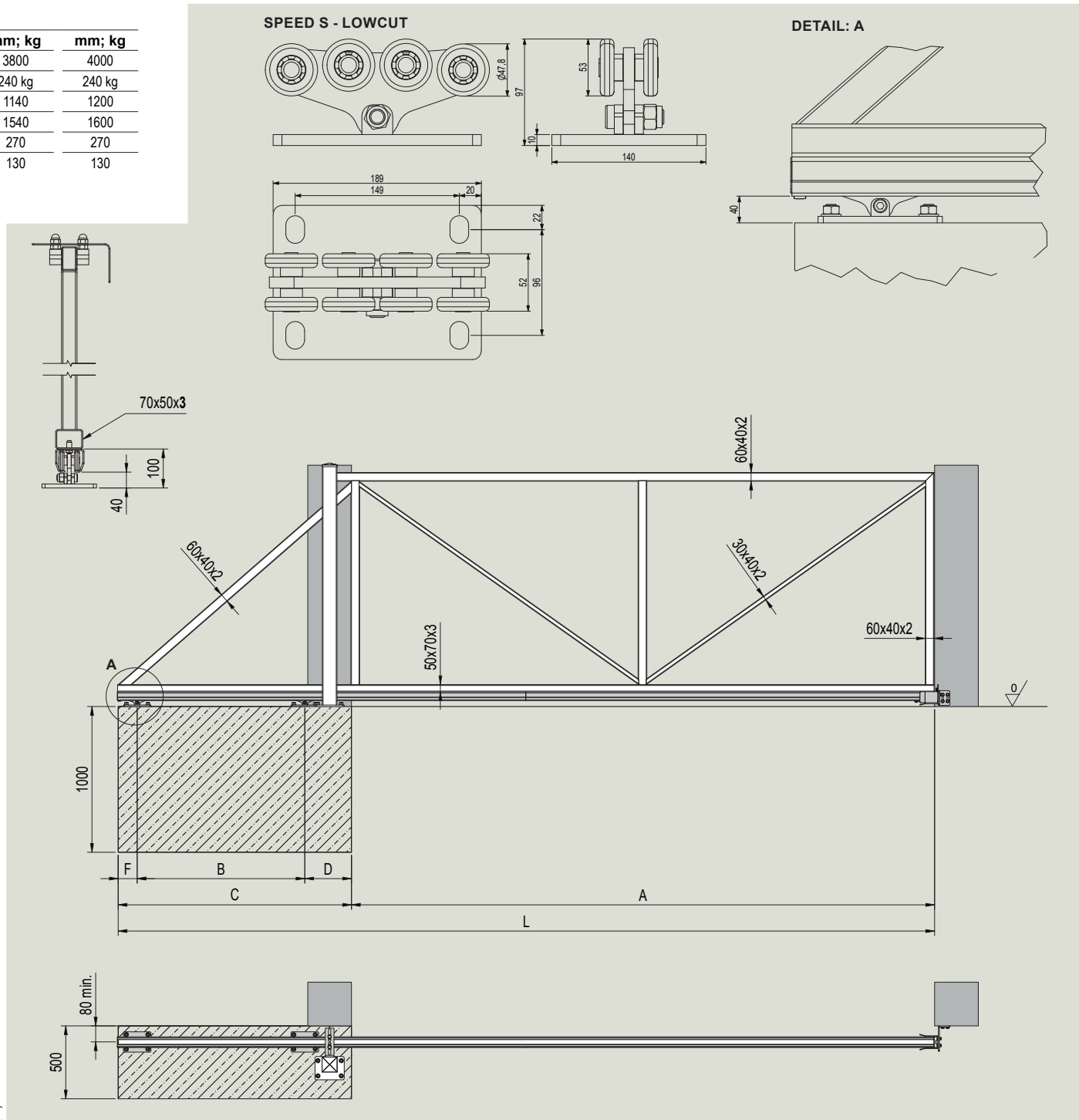
- 37°C
TESTED & PROVEN

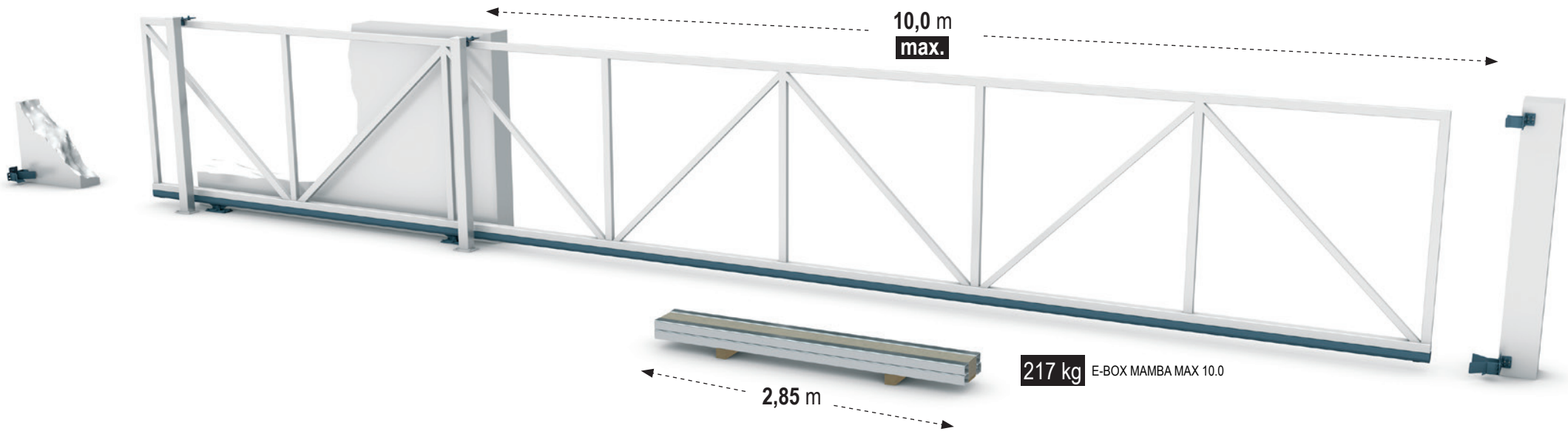
+ 50°C
TESTED & PROVEN

NO WELDING
REQUIRED

SPEED S - LOWCUT

DETAIL: A





READY TO GO

NEW 

10.0 M DRIVEWAY - MAX. 900 KG

 CAIS

MAMBA MAX E-BOX 10.0

CANTILEVER GATE HARDWARE SET
420 EXTRA STRONG GRADE STEEL

MAMBA MAX 10.0

	mm; kg	mm; kg	mm; kg	mm; kg	mm; kg	mm; kg	mm; kg	mm; kg	mm; kg	mm; kg	mm; kg	mm; kg	mm; kg
A	4000	4500	5000	5500	6000	6500	7000	7500	8000	8500	9000	9500	10000
max. weight gate	600 kg	625 kg	650 kg	675 kg	700 kg	725 kg	750 kg	775 kg	800 kg	825 kg	850 kg	875 kg	900 kg
B	1300	1463	1625	1788	1950	2113	2275	2438	2600	2763	2925	3088	3250
C	2200	2363	2525	2688	2855	3013	3175	3338	3500	3663	3825	3988	4150
D	450	450	450	450	450	450	450	450	450	450	450	450	450

FAST
NO WELDING
REQUIRED

JPN
JAPANESE ROBOTICS
FANUC

NO WELDING
REQUIRED

BOLTS
RIVET NUTS
INCLUDED

270
g/m²
HOT DIPPED
GALVANIZED

EASY
ASSEMBLY

S 420 EXTRA STRONG
GRADE STEEL

ALL IN ONE CONCEPT
2.85 M PARCEL

10 M OPENING

D
GERMAN
STEEL

MULTI RIVETED
SECTIONS

SLOTTED HOLE
PUNCHED EVERY
400mm IN TRACK

C 2
HIGH QUALITY BEARINGS

CARRIAGES CENTER
HOLES MILLED
NOT LASER CUT

«C» TRACK SERIAL NO.
100% COMPATIBILITY
CARRIAGE TESTED

CZ
MADE IN
CZECH REPUBLIC

R&D
UNIVERSITY OF
TECHNOLOGY – BRNO

- 37°C
TESTED & PROVEN

+ 50°C
TESTED & PROVEN

ARROW STRAIGHT
«C» TRACK

SPEED M MAX
14 WHEELED CARRIAGE

KIT MAMBA MAX 10.0

- SPEED M - MAX 14 2 pcs
- STAGE MZ 6 - MAX 420 2 pcs
- STAGE MZ 2,25 - MAX 420 1 pc
- RUN M 2 pcs
- LAST M - MAX 2 pcs
- PADDOCK SM 1 pc
- PARK CSM 240 3 pcs
- FRM 2 - MAX 2 pcs
- PILOT MR 2 pcs
- BOLT M10x25 45 pcs
- RIVET NUT 45 pcs

Total weight = 207 kg

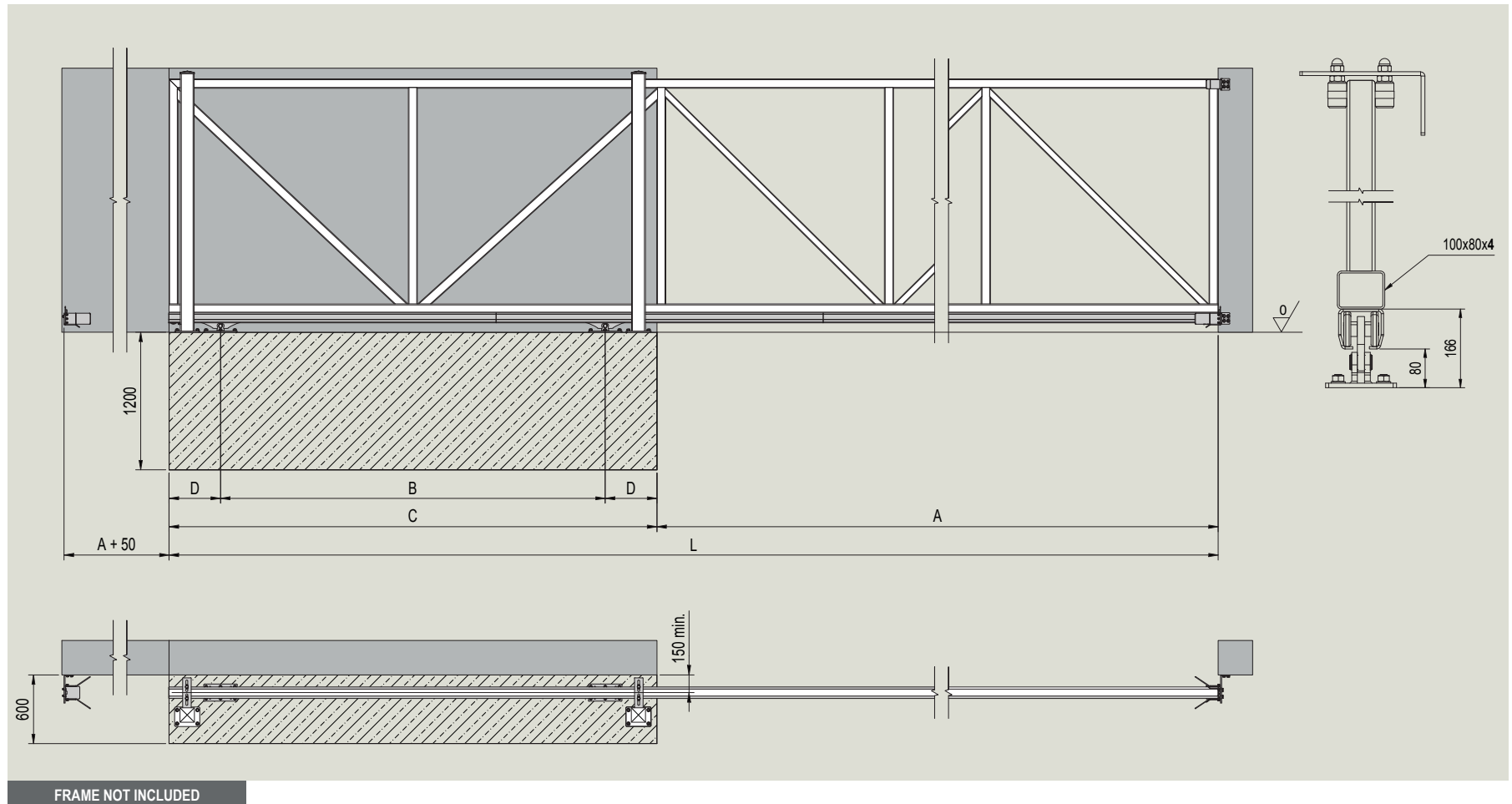
CODE: 1710121

E-BOX MAMBA MAX 10.0

- SPEED M - MAX 14 2 pcs
- STAGE MZ 2,85 - MAX 420 5 pcs
- RUN M 2 pcs
- LAST M - MAX 2 pcs
- PADDOCK SM 1 pc
- PARK CSM 240 3 pcs
- FRM 2 - MAX 2 pcs
- PILOT MR 2 pcs
- BOLT M10x25 45 pcs
- RIVET NUT 45 pcs
- RIVET NUT 45 pcs

Total weight = 217 kg

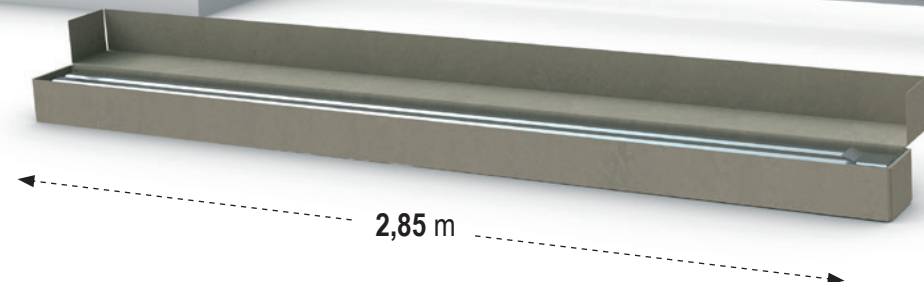
CODE: 1710120





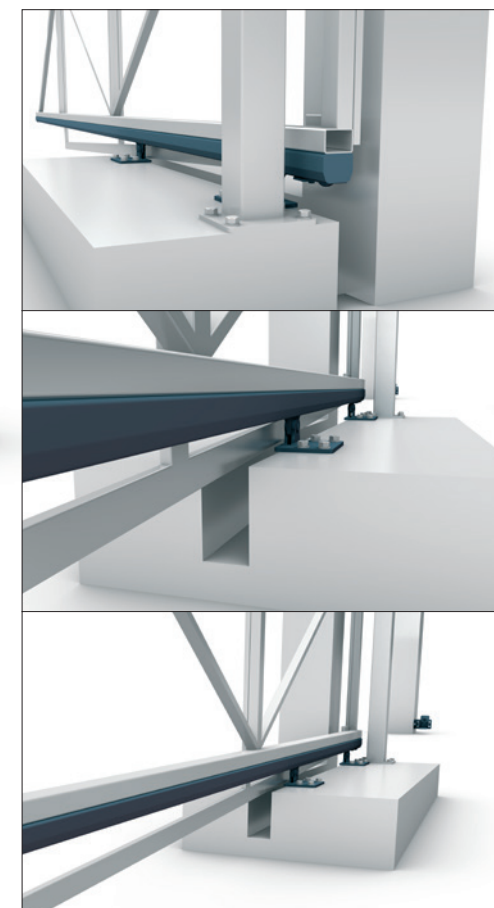
ASSEMBLY VIDEO

4,0 m
max.



2,85 m

74 kg CROSSTRACK S 4.0
80 kg CROSSTRACK S 4.0 - V/6



SUITABLE FOR
INCLINED DRIVEWAY
INSTALLATION



CROSSTRACK S 4.0 E-BOX

CANTILEVER HARDWARE SET
FOR SLOPED DRIVEWAYS

CROSSTRACK S 4.0

SPEED SK	2 pcs
STAGE SZ 2,8 m	2 pcs
DRIVER 38/2,8	2 pcs
RUN S	1 pc
LAST S	1 pc
PARK CSM	1 pc
PILOT SN	1 pc
PILOT SR	1 pc
JRS 30	1 pc
BOLT M10x25	15 pcs
RIVET NUT	15 pcs

Total weight = 74 kg

CODE: 1710079

CROSSTRACK S 4.0 - V/6

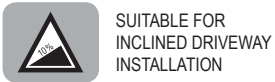
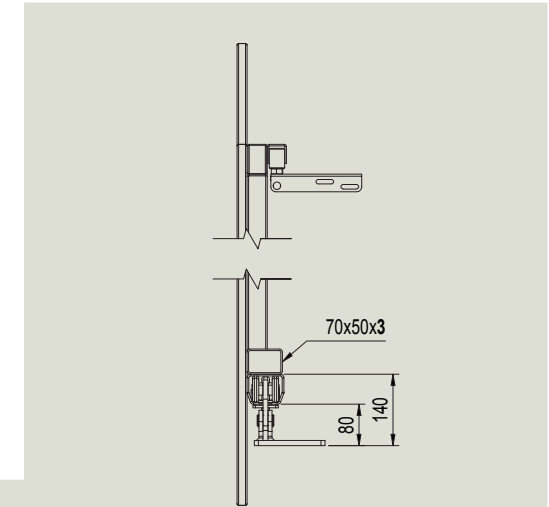
SPEED SK	2 pcs
STAGE SZ 2,8 m	2 pcs
DRIVER 38/2,8	2 pcs
RUN S	1 pc
LAST S	1 pc
PARK CSM	1 pc
PILOT SN	1 pc
PILOT SR	1 pc
JRS 30	1 pc
BOLT M10x25	15 pcs
RIVET NUT	15 pcs
V/6	5 pcs

Total weight = 80 kg

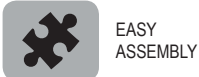
CODE: 1710088

CROSSTRACK S

	mm; kg	mm; kg	mm; kg	mm; kg	mm; kg	mm; kg
A	3000	3200	3400	3600	3800	4000
max. weight gate	325 kg	325 kg	325 kg	350 kg	375 kg	400 kg
B	900	960	1020	1080	1140	1200
C	1440	1500	1560	1620	1680	1740
D	270	270	270	270	270	270



SUITABLE FOR INCLINED DRIVEWAY INSTALLATION



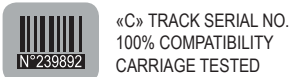
EASY ASSEMBLY



FAST NO WELDING REQUIRED



15 BOLTS 15 RIVET NUTS INCLUDED



«C» TRACK SERIAL NO. 100% COMPATIBILITY CARRIAGE TESTED



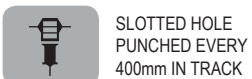
GERMAN STEEL



HOT DIPPED GALVANIZED



ARROW STRAIGHT «C» TRACK



SLOTTED HOLE PUNCHED EVERY 400mm IN TRACK



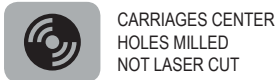
GALVANIZED INTERNAL EDGES



ASYMMETRIC EIGHT WHEELED CARRIAGE



C 2 HIGH QUALITY BEARINGS



CARRIAGES CENTER HOLES MILLED NOT LASER CUT



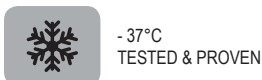
MULTI RIVETED SECTIONS



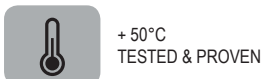
JAPANESE ROBOTICS FANUC



UNIVERSITY OF TECHNOLOGY - BRNO



- 37°C TESTED & PROVEN



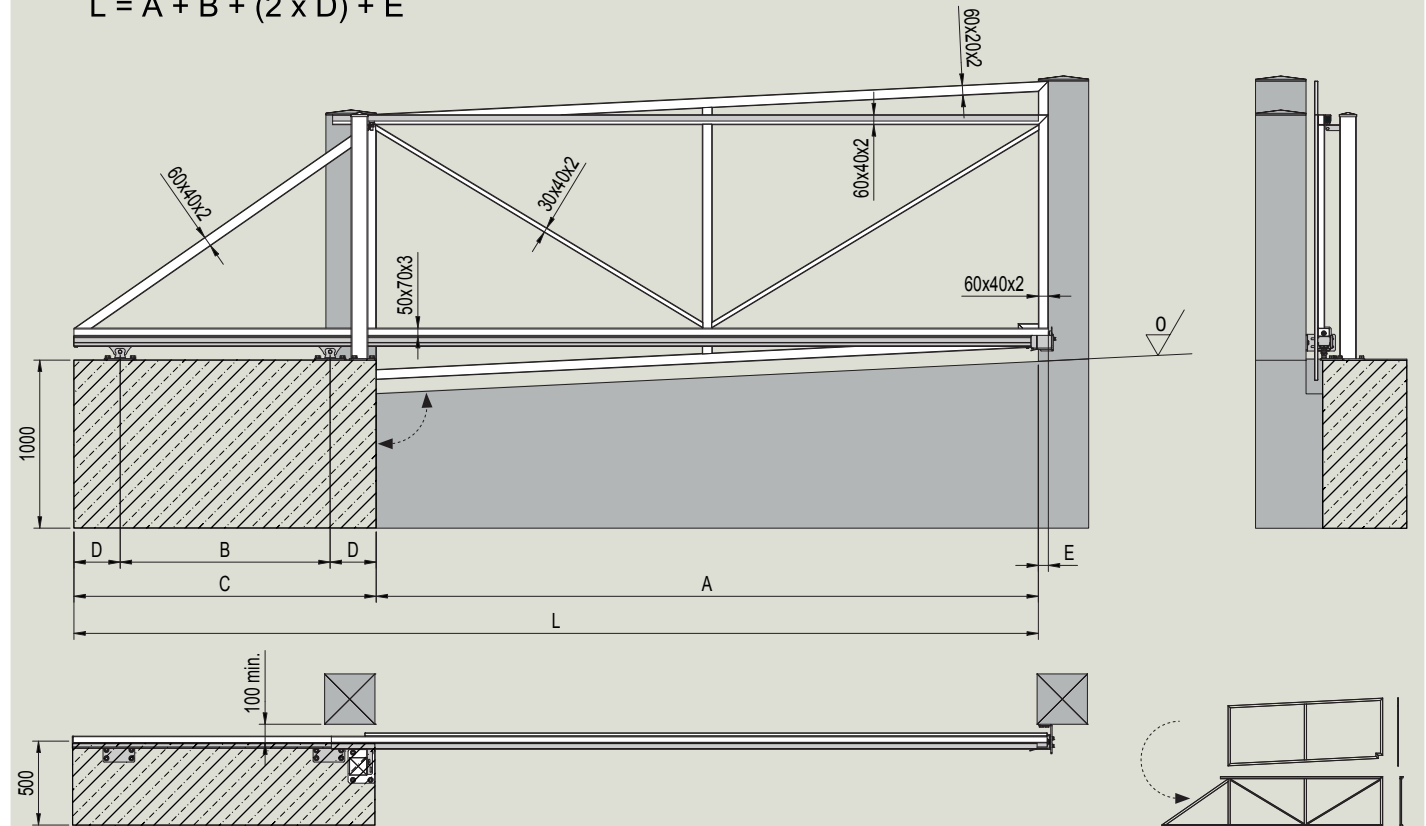
+ 50°C TESTED & PROVEN



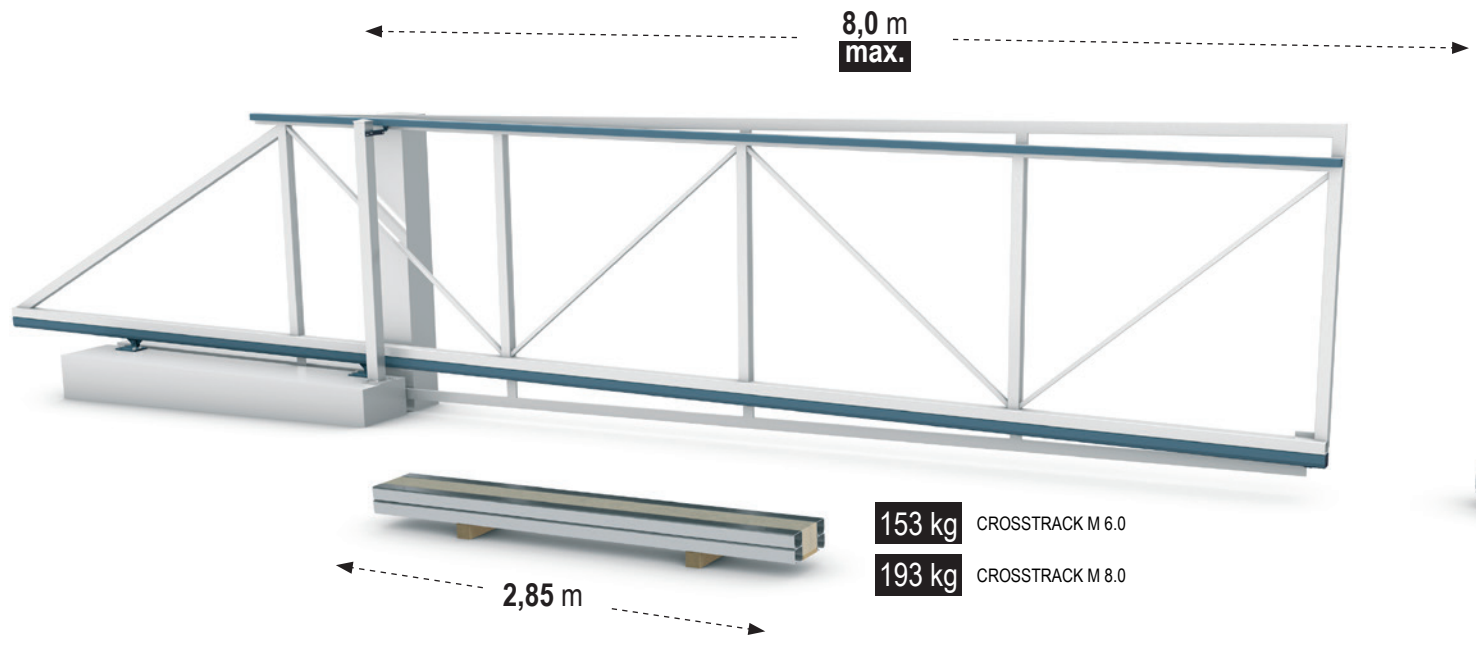
MADE IN CZECH REPUBLIC

$$B = 0,3 \times A$$

$$L = A + B + (2 \times D) + E$$



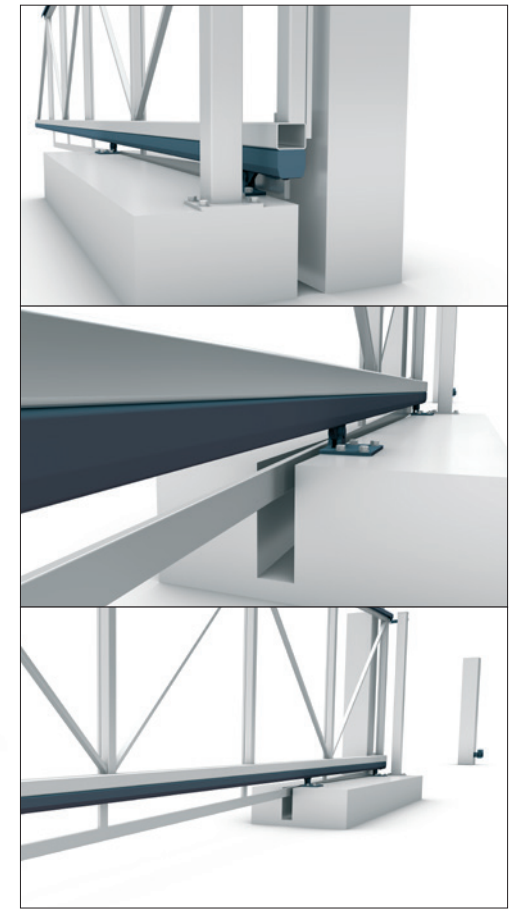
FRAME NOT INCLUDED



8,0 m
max.

2,85 m

153 kg CROSSTRACK M 6.0
193 kg CROSSTRACK M 8.0



SUITABLE FOR
INCLINED DRIVEWAY
INSTALLATION



CROSSTRACK M 8.0 E-BOX

CANTILEVER HARDWARE SET
FOR SLOPED DRIVEWAYS

CROSSTRACK M 6.0

SPEED MEK	2 pcs
STAGE MZ 2,85 m	3 pcs
DRIVER 48/2,8	3 pcs
RUN M	1 pc
LAST M	1 pc
PARK CSM	1 pc
PILOT MN	1 pc
PILOT MR	1 pc
JRM 40	1 pc
BOLT M10x25	24 pcs
RIVET NUT	24 pcs

Total weight = 153 kg

CODE: 1710080

CROSSTRACK M 8.0

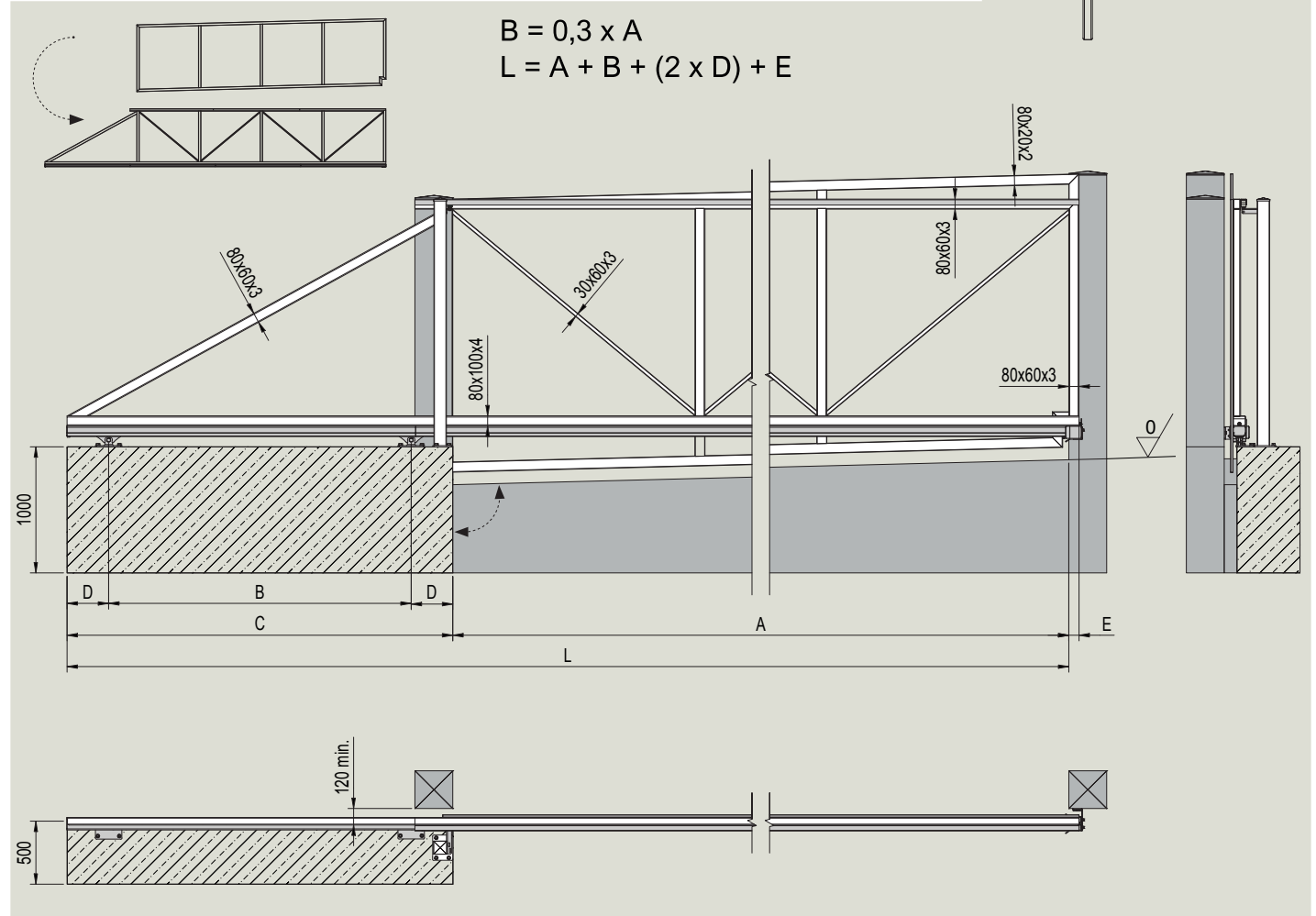
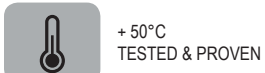
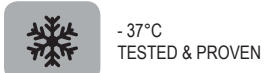
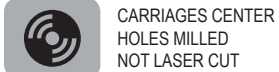
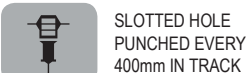
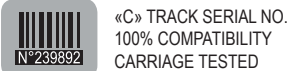
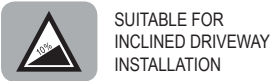
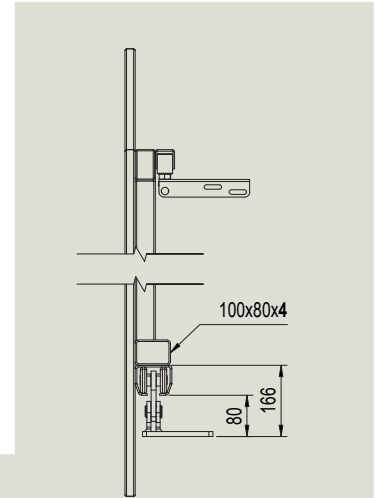
SPEED MEK	2 pcs
STAGE MZ 2,85 m	4 pcs
DRIVER 48/2,8	4 pcs
RUN M	1 pc
LAST M	1 pc
PARK CSM	1 pc
PILOT MN	1 pc
PILOT MR	1 pc
JRM 40	1 pc
BOLT M10x25	32 pcs
RIVET NUT	32 pcs

Total weight = 193 kg

CODE: 1710081

CROSSTRACK M

	mm; kg	mm; kg	mm; kg	mm; kg	mm; kg	mm; kg	mm; kg	mm; kg	mm; kg
A	4000	4500	5000	5500	6000	6500	7000	7500	8000
max. weight gate	500 kg	525 kg	550 kg	575 kg	600 kg	625 kg	650 kg	675 kg	700 kg
B	1200	1350	1500	1650	1800	1950	2100	2250	2400
C	1860	2010	2160	2310	2460	2610	2760	2910	3060
D	330	330	330	330	330	330	330	330	330



FRAME NOT INCLUDED



ASSEMBLY VIDEO



READY TO GO



CAIS
INNOVATION

CAIS CHEVRON 2.5 E-BOX

OUTSWING GARAGE DOOR HARDWARE

CHEVRON 2.5

CODE: 1710903

L max.	H max.	MAX. CAPACITY DOOR
2500	2500	220

 CAIS INNOVATION

 READY TO GO

 EASY TRANSPORT


 SUITABLE FOR ALL STANDARD GARAGE DOOR OPENERS

 EASY ASSEMBLY

 FAST NO WELDING REQUIRED

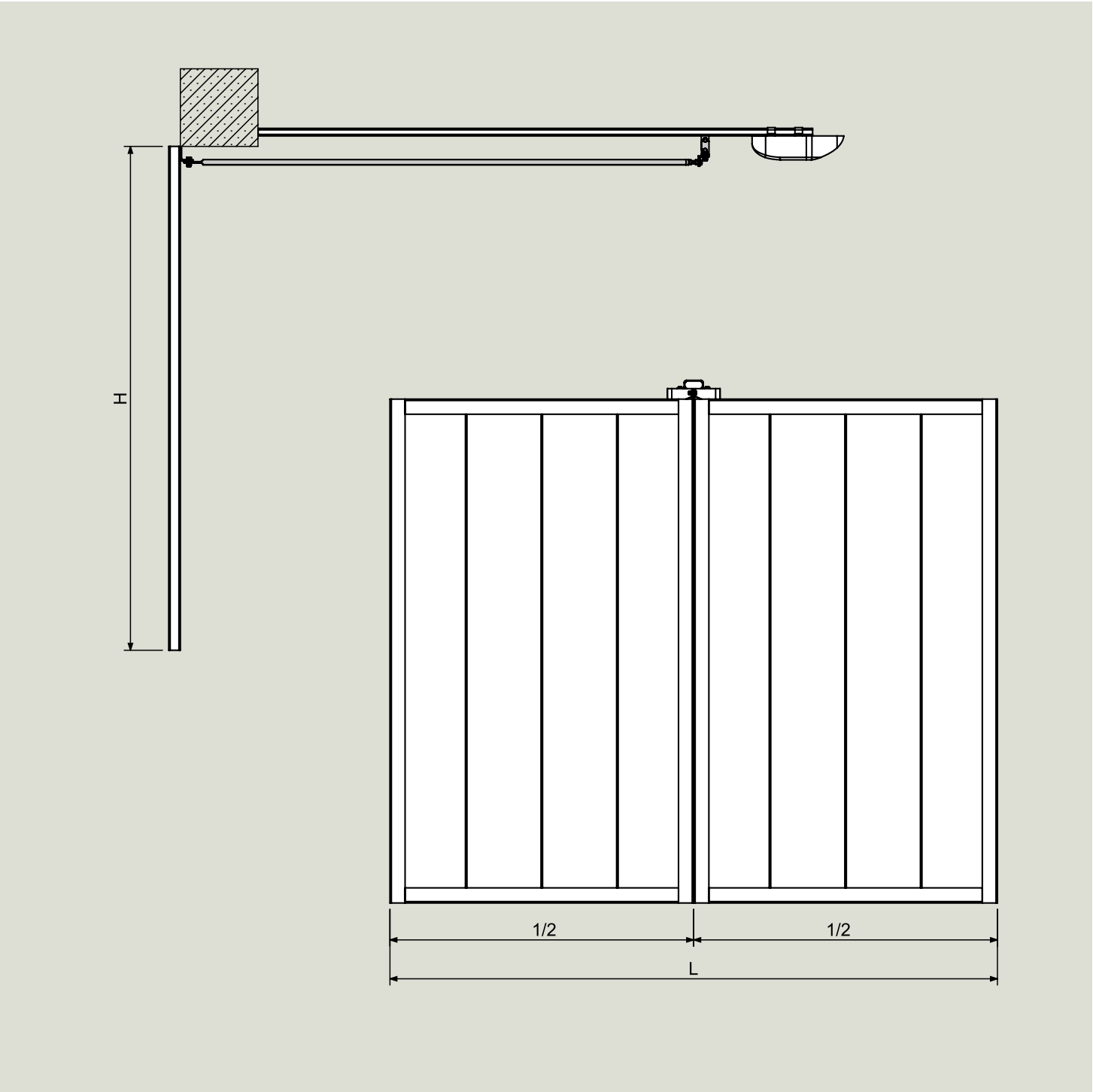
 FOR RESIDENTIAL USE ONLY

 + 50°C TESTED & PROVEN

 - 37°C TESTED & PROVEN

 HIGH QUALITY GUARANTEED

 NO WELDING REQUIRED



DOOR NOT INCLUDED



ASSEMBLY VIDEO



HANGAR SET 6.6

SLIDING DOOR HARDWARE

HANGAR 6.6 - 960 kg

SPEED C	4 pcs
STAGE SZ 6	2 pcs
STAGE SZ 1	1 pc
DF 190	2 pcs
DC 70	21 pcs
KHL 140	21 pcs
FINISH S	2 pcs
MCD 60/6	4 pcs
AD 150	4 pcs
MS 40	1 pc
KL 70	1 pc
TL 30	1 pc
TL 40	1 pc
TL 70	7 pcs
TL 90	1 pc
RS 40	4 pcs

CODE: 1710904 WEIGHT: 170 kg

HANGAR 4.4 - 640 kg

SPEED C	3 pcs
STAGE SZ 4	2 pcs
STAGE SZ 1	1 pc
DF 190	2 pcs
DC 70	15 pcs
KHL 140	15 pcs
FINISH S	2 pcs
MCD 60/4	4 pcs
AD 150	3 pcs
MS 40	1 pc
KL 70	1 pc
TL 30	1 pc
TL 40	1 pc
TL 70	6 pcs
TL 90	1 pc
RS 40	4 pcs

CODE: 1710905 WEIGHT: 126 kg

HANGAR 2.2 - 320 kg

SPEED C	2 pcs
STAGE SZ 2,8	2 pcs
DF 190	1 pc
DC 70	10 pcs
KHL 140	10 pcs
FINISH S	2 pcs
MCD 60/4	2 pcs
AD 150	2 pcs
MS 40	1 pc
KL 70	1 pc
TL 30	1 pc
TL 40	1 pc
TL 70	5 pcs
TL 90	1 pc
RS 40	4 pcs

CODE: 1710906 WEIGHT: 68 kg

BRUSH 6.6

BD 25/2	3 pcs
BD 35/2	9 pcs
BD 45/2	3 pcs
AD 25/2	9 pcs
AS 25/2	3 pcs
AR 25/2	3 pcs

CODE: 1710907 WEIGHT: 9 kg

BRUSH 4.4

BD 25/2	2 pcs
BD 35/2	6 pcs
BD 45/2	2 pcs
AD 25/2	6 pcs
AS 25/2	2 pcs
AR 25/2	2 pcs

CODE: 1710908 WEIGHT: 6,5 kg

BRUSH 2.2

BD 25/2	1 pc
BD 35/2	3 pcs
BD 45/2	1 pc
AD 25/2	3 pcs
AS 25/2	1 pc
AR 25/2	1 pc

CODE: 1710909 WEIGHT: 3,5 kg

COMPONENTS & DIMENSIONS

6 m / 960 kg

CARRIAGE	GUIDE	SUPPORT	NUMBER SUPPORT DC 70/KHL	NUMBER GARIAGE SPEED C	NUMBER SUPRORT AD 150	LENGHT WING L	DISTANCE BETWEEN SUPPORT A	MAX. CAPACITY WING TO 6000 mm
				pcs			mm	kg
SPEED C	STAGE SZ	DC 70/KHL	25	4	4	6000	500	1200
SPEED C	STAGE SZ	DC 70/KHL	20	4	4	6000	650	960

COMPONENTS & DIMENSIONS

4 m / 640 kg

CARRIAGE	GUIDE	SUPPORT	NUMBER SUPPORT DC 70/KHL	NUMBER GARIAGE SPEED C	NUMBER SUPRORT AD 150	LENGHT WING L	DISTANCE BETWEEN SUPPORT A	MAX. CAPACITY WING TO 6000 mm
				pcs			mm	kg
SPEED C	STAGE SZ	DC 70/KHL	17	3	3	4000	500	800
SPEED C	STAGE SZ	DC 70/KHL	14	3	3	4000	650	640

COMPONENTS & DIMENSIONS

2 m / 320 kg

CARRIAGE	GUIDE	SUPPORT	NUMBER SUPPORT DC 70/KHL	NUMBER GARIAGE SPEED C	NUMBER SUPRORT AD 150	LENGHT WING L	DISTANCE BETWEEN SUPPORT A	MAX. CAPACITY WING TO 6000 mm
				pcs			mm	kg
SPEED C	STAGE SZ	DC 70/KHL	9	2	2	2000	500	400
SPEED C	STAGE SZ	DC 70/KHL	8	2	2	2000	650	320



GERMAN STEEL



HOT DIPPED GALVANISED



SLIM LEAF 46 mm



EASY ASSEMBLY



LINEAR INSTALLATION WITHOUT LIMITS



+ 50°C TESTED & PROVEN



- 37°C TESTED & PROVEN



SUITABLE FOR INTERNAL AND EXTERNAL INSTALLATION



NO WELDING REQUIRED



FOR INDUSTRIAL USE



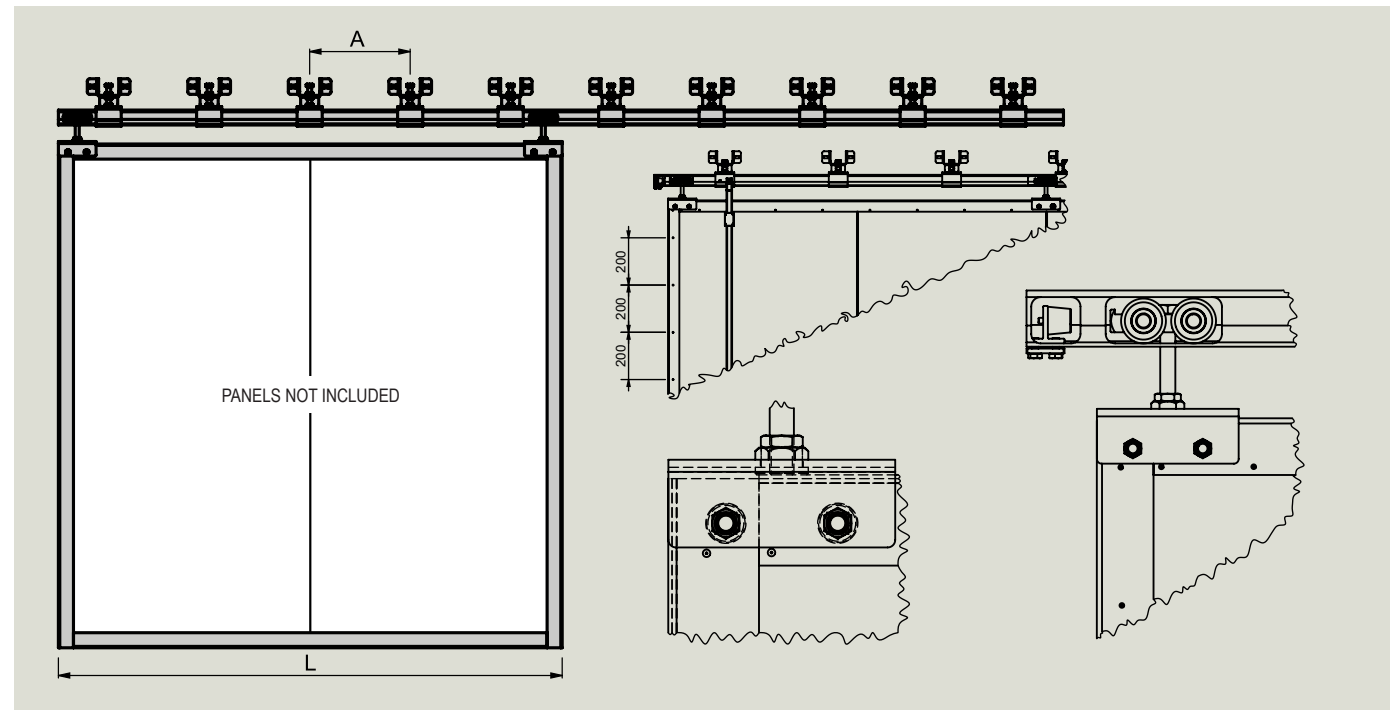
FAST NO WELDING REQUIRED



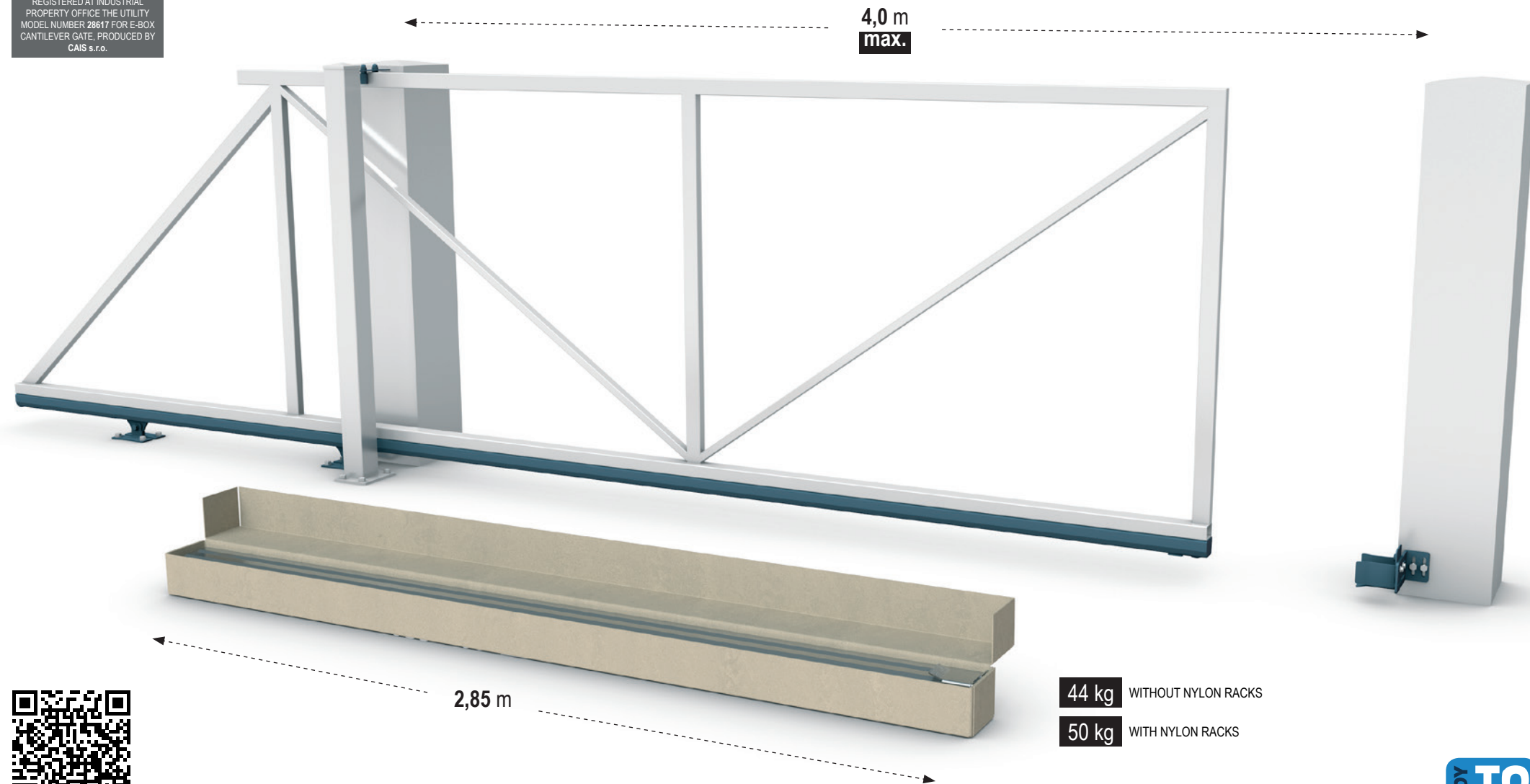
HIGH QUALITY GUARANTEED



CAIS INNOVATION



PATENT OFFICE
PATENTED OFFICE PRIKRYL HAS
REGISTERED AT INDUSTRIAL
PROPERTY OFFICE THE UTILITY
MODEL NUMBER 28617 FOR E-BOX
CANTILEVER GATE. PRODUCED BY
CAIS s.r.o.



ASSEMBLY VIDEO

PATENT OFFICE 



ALL IN ONE S 4.0 E-BOX

SLIDING GATE
CANTILEVER HARDWARE SET

E-BOX SE 4.0

SPEED SE	2 pcs
STAGE SZ 2,8 m	2 pcs
RUN S	1 pc
LAST S	1 pc
PARK CSM	1 pc
PILOT SN	1 pc
PILOT SR	1 pc
FRS 2	1 pc
BOLT M10x25	15 pcs
RIVET NUT	15 pcs

Total weight = 44 kg

CODE: 1710053

E-BOX SE 4.0 - V6

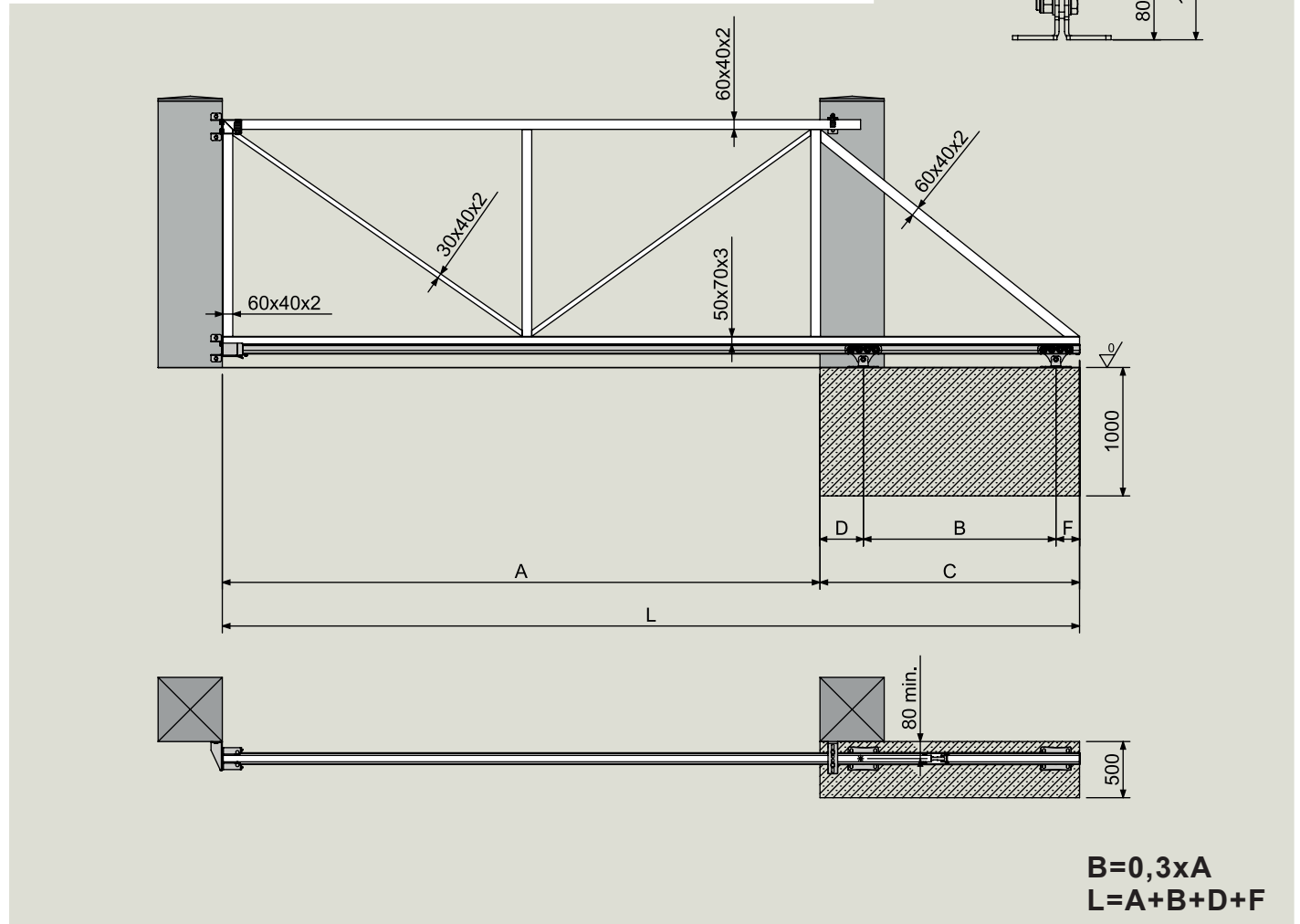
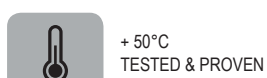
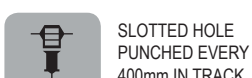
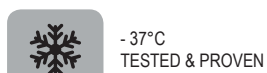
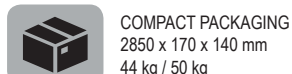
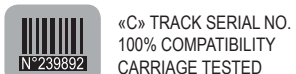
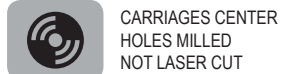
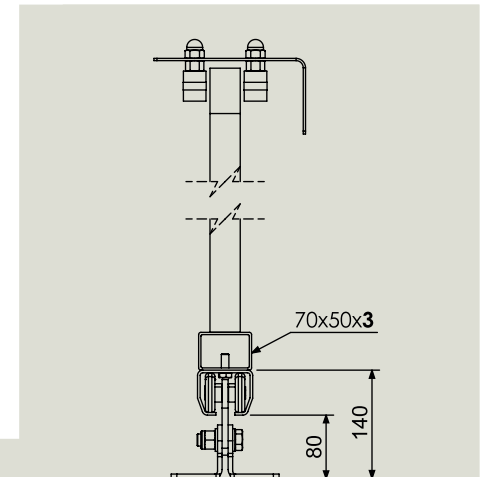
SPEED SE	2 pcs
STAGE SZ 2,8 m	2 pcs
RUN S	1 pc
LAST S	1 pc
PARK CSM	1 pc
PILOT SN	1 pc
PILOT SR	1 pc
FRS 2	1 pc
BOLT M10x25	15 pcs
RIVET NUT	15 pcs
V/6	5 pcs

Total weight = 50 kg

CODE: 1710054

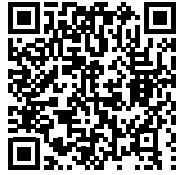
E-BOX SE

	mm; kg	mm; kg	mm; kg	mm; kg	mm; kg	mm; kg
A	3000	3200	3400	3600	3800	4000
max. weight gate	325 kg	325 kg	325 kg	325 kg	325 kg	325 kg
B	900	960	1020	1080	1140	1200
C	1300	1360	1420	1480	1540	1600
D	270	270	270	270	270	270
F	130	130	130	130	130	130

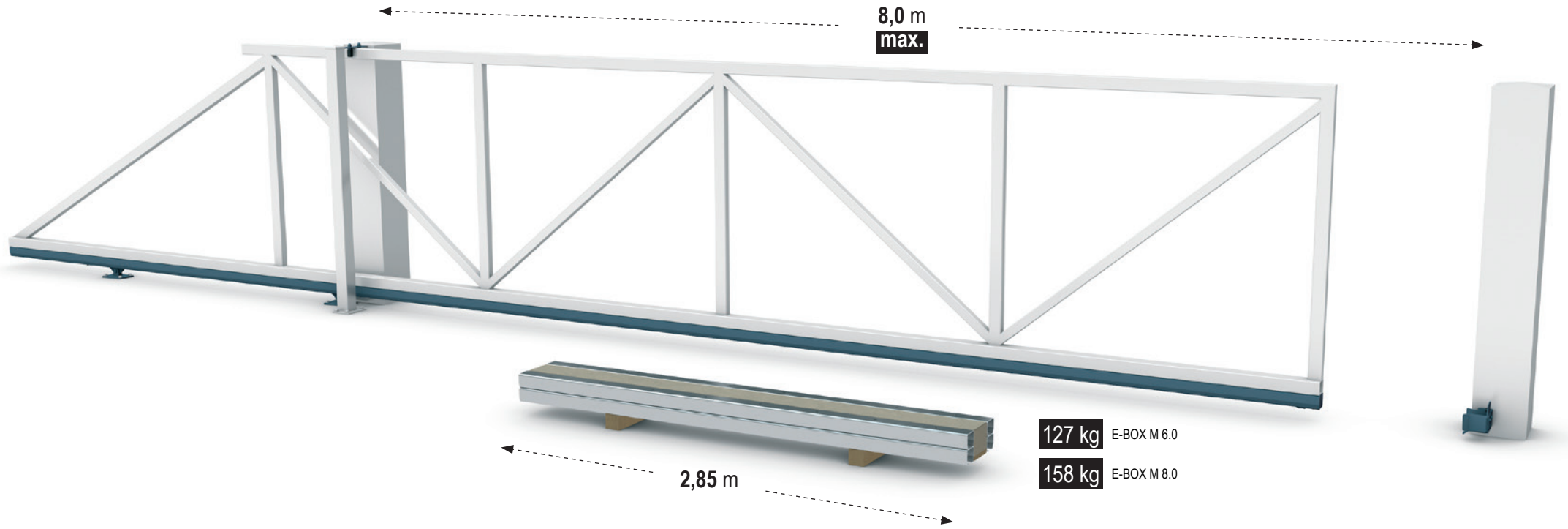


B=0,3xA
L=A+B+D+F

FRAME NOT INCLUDED



ASSEMBLY VIDEO



READY TO GO

NEW 

ALL IN ONE M E-BOX

SLIDING GATE
CANTILEVER HARDWARE

E-BOX M 6.0

- SPEED ME 2 pcs
- STAGE MZ 2,85 m 3 pcs
- RUN M 1 pc
- LAST M 1 pc
- PARK CSM 1 pc
- PILOT MN 1 pc
- PILOT MR 1 pc
- FRM 2 1 pc
- BOLT M10x25 24 pcs
- RIVET NUT 24 pcs

Total weight = 127 kg

CODE: 1710077

E-BOX M 8.0

- SPEED ME 2 pcs
- STAGE MZ 2,85 m 4 pcs
- RUN M 1 pc
- LAST M 1 pc
- PARK CSM 1 pc
- PILOT MN 1 pc
- PILOT MR 1 pc
- FRM 2 1 pc
- BOLT M10x25 32 pcs
- RIVET NUT 32 pcs

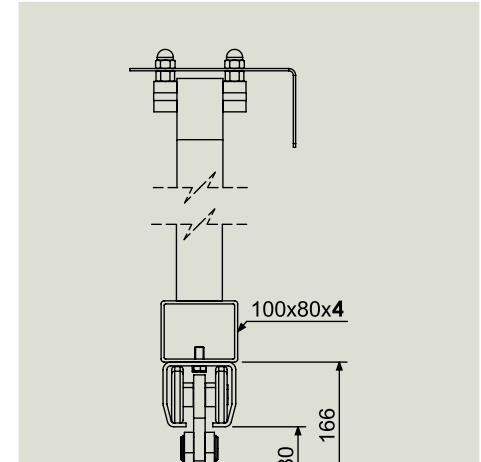
Total weight = 158 kg

CODE: 1710078

E-BOX M 8.0

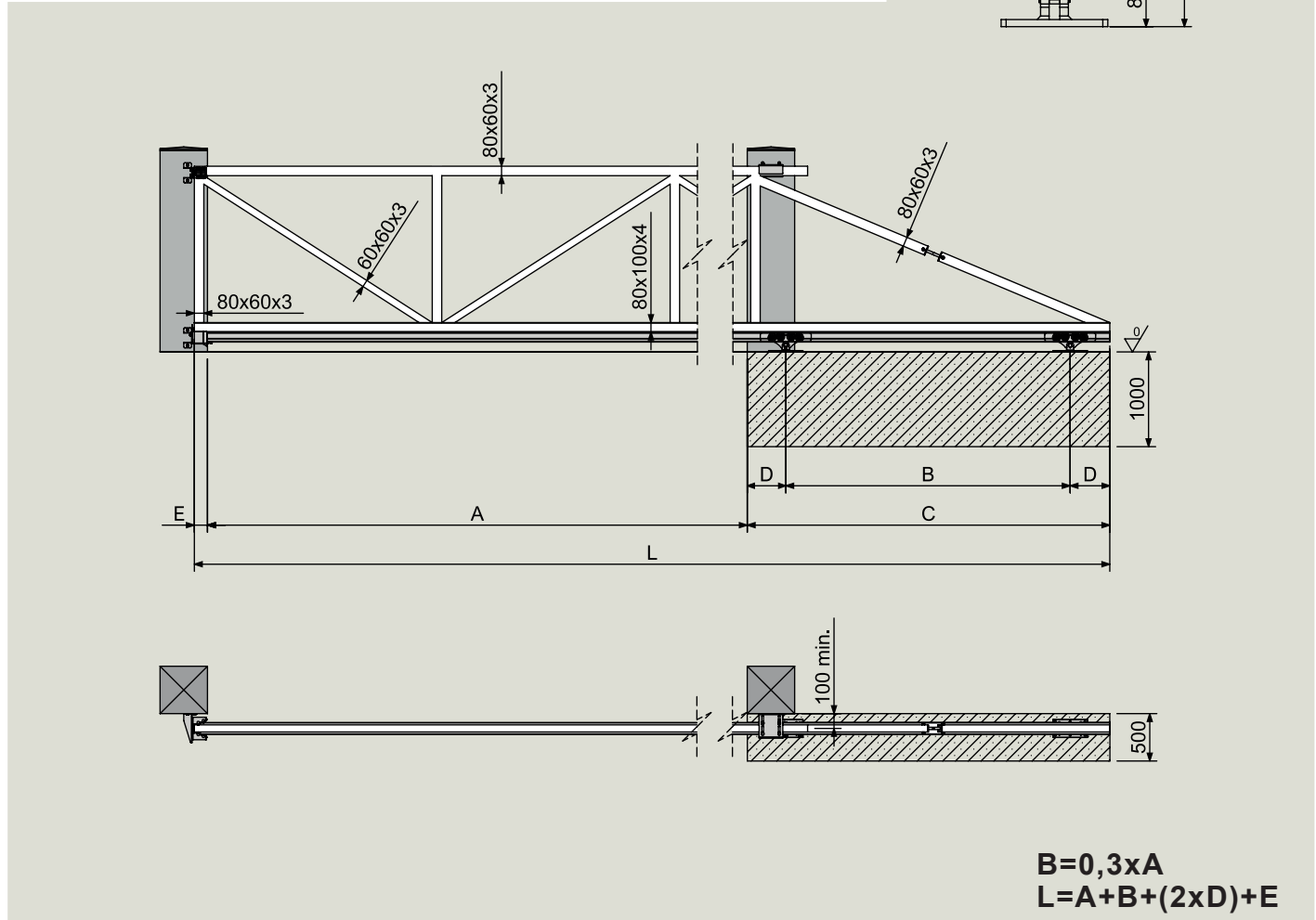
E-BOX M 6.0

	mm; kg	mm; kg	mm; kg	mm; kg	mm; kg	mm; kg	mm; kg	mm; kg	mm; kg
A	4000	4500	5000	5500	6000	6500	7000	7500	8000
max. weight gate	500 kg	525 kg	550 kg	575 kg	600 kg	625 kg	650 kg	675 kg	700 kg
B	1200	1350	1500	1650	1800	1950	2100	2250	2400
C	1860	2010	2160	2310	2460	2610	2760	2910	3060
D	330	330	330	330	330	330	330	330	330

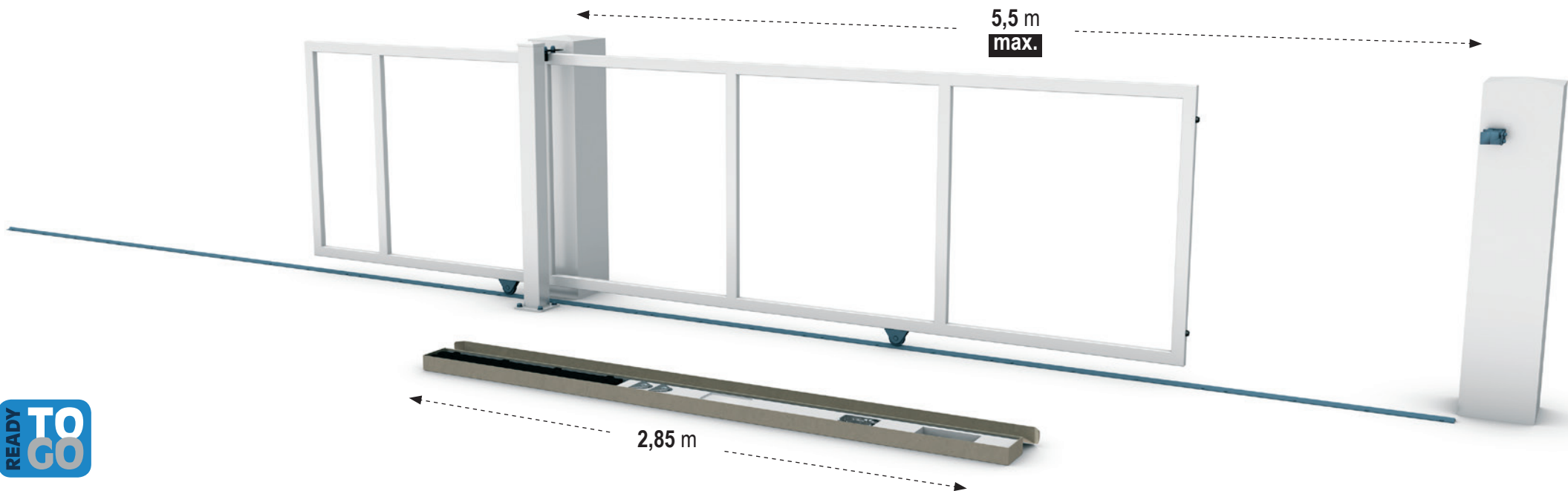


- EASY ASSEMBLY
- FAST NO WELDING REQUIRED
- BOLTS RIVET NUTS INCLUDED
- «C» TRACK SERIAL NO. 100% COMPATIBILITY CARRIAGE TESTED
- GERMAN STEEL
- HOT DIPPED GALVANIZED
- ARROW STRAIGHT «C» TRACK
- SLOTTED HOLE PUNCHED EVERY 400mm IN TRACK
- GALVANIZED INTERNAL EDGES
- MADE IN CZECH REPUBLIC

- C2 HIGH QUALITY BEARINGS
- CARRIAGES CENTER HOLES MILLED NOT LASER CUT
- MULTI RIVETED SECTIONS
- JAPANESE ROBOTICS FANUC
- UNIVERSITY OF TECHNOLOGY – BRNO
- 37°C TESTED & PROVEN
- + 50°C TESTED & PROVEN
- NO WELDING REQUIRED
- READY TO GO



FRAME NOT INCLUDED



READY TO GO



ASSEMBLY VIDEO

NEW 

 **X-TRACK E-BOX**

SLIDING GATE HARDWARE SET

X - TRACK - 4.5 WTO 825, FRS 2

WTO 825	2 pcs
ROAD 2,8 m	3 pcs
PIN ROAD	2 pcs
DOCKER O	1 pc
FRS 2	1 pc
END S	2 pcs
V/6	5 pcs
BOLT M8x20	4 pcs

Total weight = 25,4 kg

CODE: 1710200

X - TRACK - 4.5 WSO 824, FRS 2

WSO 824	2 pcs
ROAD 2,8 m	3 pcs
PIN ROAD	2 pcs
DOCKER O	1 pc
FRS 2	1 pc
END S	2 pcs
V/6	5 pcs
BOLT M8x20	4 pcs

Total weight = 25,4 kg

CODE: 1710202

X - TRACK - 4.5 WO 824, FRS 2

WO 824	2 pcs
ROAD 2,8 m	3 pcs
PIN ROAD	2 pcs
DOCKER O	1 pc
FRS 2	1 pc
END S	2 pcs
V/6	5 pcs

Total weight = 24,9 kg

CODE: 1710204

X - TRACK - 5.5 WTO 825, FRS 2

WTO 825	2 pcs
ROAD 2,8 m	3 pcs
ROAD 2 m	1 pc
PIN ROAD	3 pcs
DOCKER O	1 pc
FRS 2	1 pc
END S	2 pcs
V/6	6 pcs
BOLT M8x20	4 pcs

Total weight = 30,4 kg

CODE: 1710206

X - TRACK - 5.5 WSO 824, FRS 2

WSO 824	2 pcs
ROAD 2,8 m	3 pcs
ROAD 2 m	1 pc
PIN ROAD	3 pcs
DOCKER O	1 pc
FRS 2	1 pc
END S	2 pcs
V/6	6 pcs
BOLT M8x20	4 pcs

Total weight = 30,4kg

CODE: 1710208

X - TRACK - 5.5 WO 824, FRS 2

WO 824	2 pcs
ROAD 2,8 m	3 pcs
ROAD 2 m	1 pc
PIN ROAD	3 pcs
DOCKER O	1 pc
FRS 2	1 pc
END S	2 pcs
V/6	6 pcs

Total weight = 29,8kg

CODE: 1710210



NO WELDING
REQUIRED



EASY
ASSEMBLY



FAST
NO WELDING
REQUIRED



CAIS INNOVATION



HIGH QUALITY
GUARANTEE



FOR RESIDENTIAL
USE ONLY



EASY
TRANSPORT



COMPACT PACKAGE



SLOTTED HOLE
PUNCHED IN TRACK



MADE IN
CZECH REPUBLIC



READY
TO GO



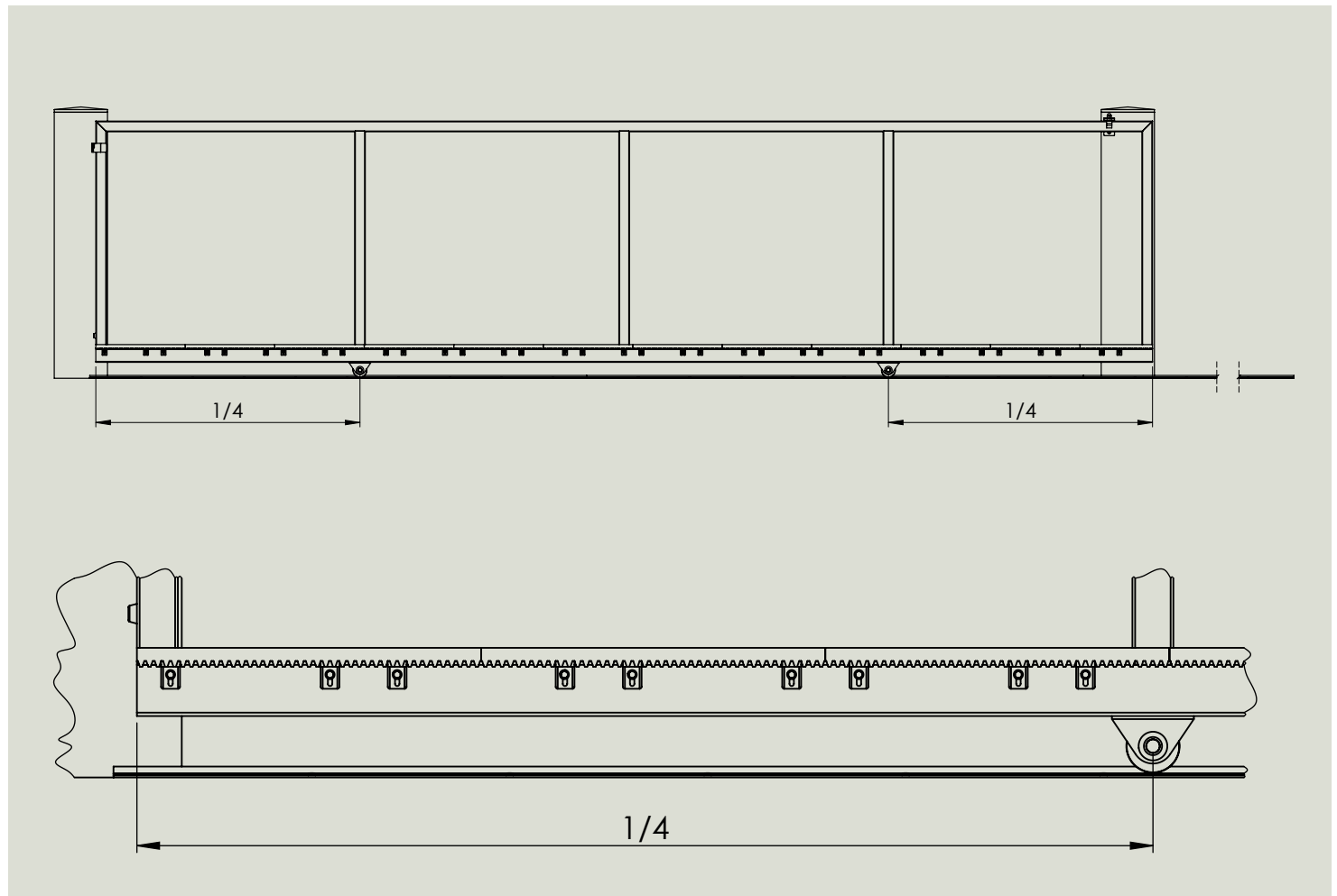
C 2
HIGH QUALITY
BEARINGS



-37°C
TESTED & PROVEN



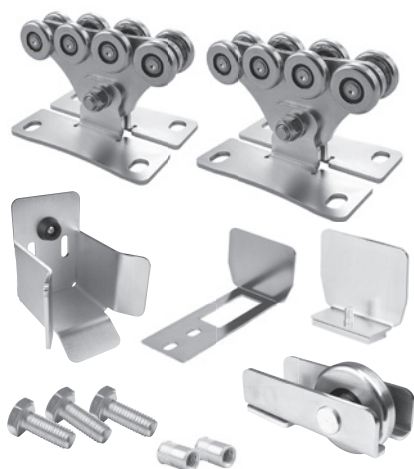
+50°C
TESTED & PROVEN



FRAME NOT INCLUDED

SOLE SE 02

SET



SPEED SE 2 pcs
 RUN S 1 pc
 LAST S 1 pc
 PILOT SN 1 pc
 PILOT SR 1 pc
 BOLT M10x25 15 pcs
 RIVET NUT 15 pcs

ART. SET / kg

SOLE SE 02 11,5 kg

GATES UP TO

WEIGHT 325 kg

CODE: 1710018

MARE S 02

SET



SPEED S 2 pcs
 RUN S 1 pc
 LAST S 1 pc
 PILOT SN 1 pc
 PILOT SR 1 pc
 BOLT M10x25 15 pcs
 RIVET NUT 15 pcs

ART. SET / kg

MARE S 02 13,9 kg

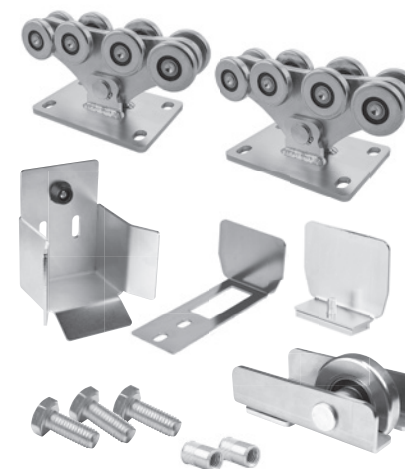
GATES UP TO

WEIGHT 450 kg

CODE: 1710040

VITA ME 02

SET



SPEED ME 2 pcs
 RUN M 1 pc
 LAST M 1 pc
 PILOT MN 1 pc
 PILOT MR 1 pc
 BOLT M10x25 15 pcs
 RIVET NUT 15 pcs

ART. SET / kg

VITA ME 02 22,4 kg

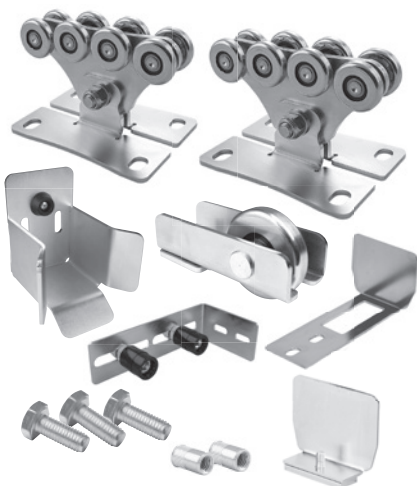
GATES UP TO

WEIGHT 700 kg

CODE: 1710042

SOLE SE 03

SET



SPEED SE 2 pcs
 RUN S 1 pc
 LAST S 1 pc
 PILOT SN 1 pc
 PILOT SR 1 pc
 FRS 2 1 pc
 BOLT M10x25 15 pcs
 RIVET NUT 15 pcs

ART. SET / kg

SOLE SE 03 12,1 kg

GATES UP TO

WEIGHT 325 kg

CODE: 1710019

MARE S 03

SET



SPEED S 2 pcs
 RUN S 1 pc
 LAST S 1 pc
 PILOT SN 1 pc
 PILOT SR 1 pc
 FRS 2 1 pc
 BOLT M10x25 15 pcs
 RIVET NUT 15 pcs

ART. SET / kg

MARE S 03 14,5 kg

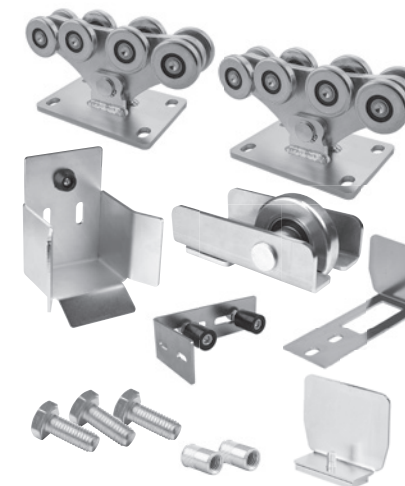
GATES UP TO

WEIGHT 450 kg

CODE: 1710041

VITA ME 03

SET



SPEED ME 2 pcs
 RUN M 1 pc
 LAST M 1 pc
 PILOT MN 1 pc
 PILOT MR 1 pc
 FRM 2 1 pc
 BOLT M10x25 15 pcs
 RIVET NUT 15 pcs

ART. SET / kg

VITA ME 03 23,7 kg

GATES UP TO

WEIGHT 700 kg

CODE: 1710043

FERO SBE 02

SET



SPEED SE 2 pcs
 STAGE SB 5,6 1 pc
 RUN S 1 pc
 LAST S 1 pc
 PILOT SN 1 pc
 PILOT SR 1 pc
 BOLT M10x25 15 pcs
 RIVET NUT 15 pcs

ART. SET / kg
 FERO SBE 02 42,3 kg

GATES UP TO

WEIGHT 325 kg
 LENGHT 4 m

CODE: 1710014

FERO SZE 02

SET



SPEED SE 2 pcs
 STAGE SZ 5,6 1 pc
 RUN S 1 pc
 LAST S 1 pc
 PILOT SN 1 pc
 PILOT SR 1 pc
 BOLT M10x25 15 pcs
 RIVET NUT 15 pcs

ART. SET / kg
 FERO SZE 02 42,3 kg

GATES UP TO

WEIGHT 325 kg
 LENGHT 4 m

CODE: 1710007

DINO SBE 02

SET



SPEED SE 2 pcs
 STAGE SB 6 1 pc
 RUN S 1 pc
 LAST S 1 pc
 PILOT SN 1 pc
 PILOT SR 1 pc
 BOLT M10x25 15 pcs
 RIVET NUT 15 pcs

ART. SET / kg
 DINO SBE 02 44,5 kg

GATES UP TO

WEIGHT 325 kg
 LENGHT 4,5 m

CODE: 1710047

FERO SBE 03

SET



SPEED SE 2 pcs
 STAGE SB 5,6 1 pc
 RUN S 1 pc
 LAST S 1 pc
 PILOT SN 1 pc
 PILOT SR 1 pc
 FRS 2 1 pc
 BOLT M10x25 15 pcs
 RIVET NUT 15 pcs

ART. SET / kg
 FERO SBE 03 42,9 kg

GATES UP TO

WEIGHT 325 kg
 LENGHT 4 m

CODE: 1710044

FERO SZE 03

SET



SPEED SE 2 pcs
 STAGE SB 5,6 1 pc
 RUN S 1 pc
 LAST S 1 pc
 PILOT SN 1 pc
 PILOT SR 1 pc
 FRS 2 1 pc
 BOLT M10x25 15 pcs
 RIVET NUT 15 pcs

ART. SET / kg
 FERO SZE 03 42,9 kg

GATES UP TO

WEIGHT 325 kg
 LENGHT 4 m

CODE: 1710045

DINO SBE 03

SET



SPEED SE 2 pcs
 STAGE SB 6 1 pc
 RUN S 1 pc
 LAST S 1 pc
 PILOT SN 1 pc
 PILOT SR 1 pc
 FRS 2 1 pc
 BOLT M10x25 15 pcs
 RIVET NUT 15 pcs

ART. SET / kg
 DINO SBE 03 45,1 kg

GATES UP TO

WEIGHT 325 kg
 LENGHT 4,5 m

CODE: 1710048

DINO SZE 02

SET

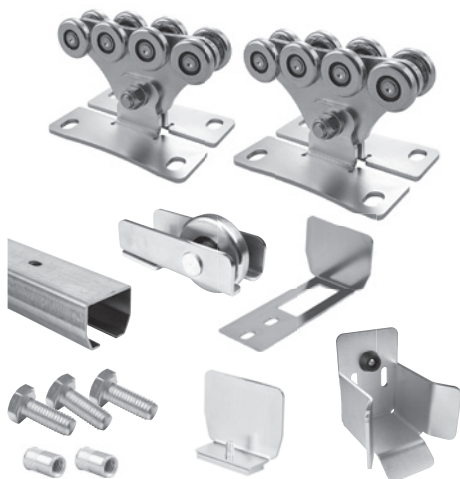
SPEED SE 2 pcs
STAGE SZ 6 1 pc
RUN S 1 pc
LAST S 1 pc
PILOT SN 1 pc
PILOT SR 1 pc
BOLT M10x25 15 pcs
RIVET NUT 15 pcs

ART. SET / kg
DINO SZE 02 44,5 kg

GATES UP TO

WEIGHT 325 kg
LENGHT 4,5 m

CODE: 1710049



DINO SZE 03

SET

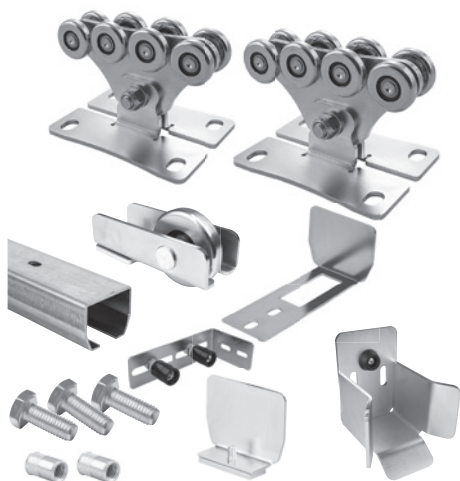
SPEED SE 2 pcs
STAGE SZ 6 1 pc
RUN S 1 pc
LAST S 1 pc
PILOT SN 1 pc
PILOT SR 1 pc
FRS 2 1 pc
BOLT M10x25 15 pcs
RIVET NUT 15 pcs

ART. SET / kg
DINO SZE 03 45,1 kg

GATES UP TO

WEIGHT 325 kg
LENGHT 4,5 m

CODE: 1710050



ENZO SB 02

SET

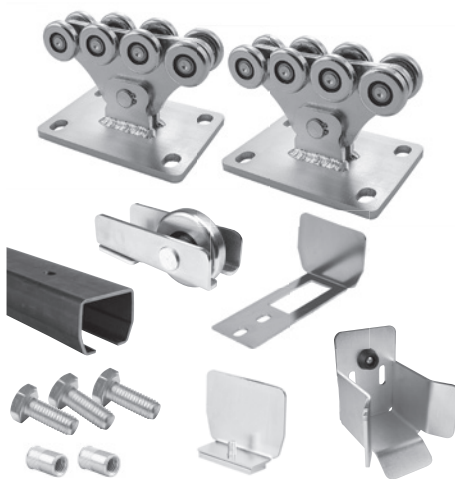
SPEED S 2 pcs
STAGE SB 6 1 pc
RUN S 1 pc
LAST S 1 pc
PILOT SN 1 pc
PILOT SR 1 pc
BOLT M10x25 15 pcs
RIVET NUT 15 pcs

ART. SET / kg
ENZO SB 02 46,9 kg

GATES UP TO

WEIGHT 450 kg
LENGHT 4,5 m

CODE: 1710012



ENZO SB 03

SET

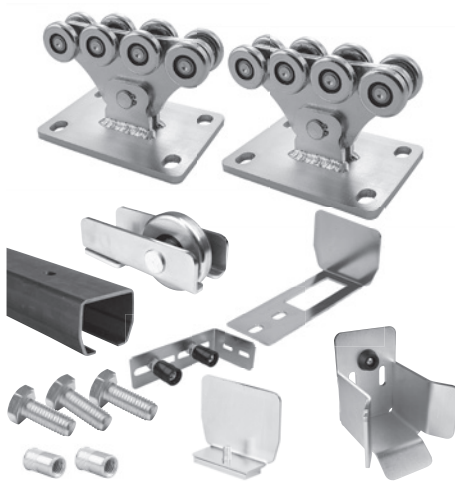
SPEED S 2 pcs
STAGE SB 6 1 pc
RUN S 1 pc
LAST S 1 pc
PILOT SN 1 pc
PILOT SR 1 pc
FRS 2 1 pc
BOLT M10x25 15 pcs
RIVET NUT 15 pcs

ART. SET / kg
ENZO SB 03 47,5 kg

GATES UP TO

WEIGHT 450 kg
LENGHT 4,5 m

CODE: 1710051



ENZO SZ 02

SET

SPEED S 2 pcs
STAGE SZ 6 1 pc
RUN S 1 pc
LAST S 1 pc
PILOT SN 1 pc
PILOT SR 1 pc
BOLT M10x25 15 pcs
RIVET NUT 15 pcs

ART. SET / kg
ENZO SZ 02 46,9 kg

GATES UP TO

WEIGHT 450 kg
LENGHT 4,5 m

CODE: 1710005



ENZO SZ 03

SET

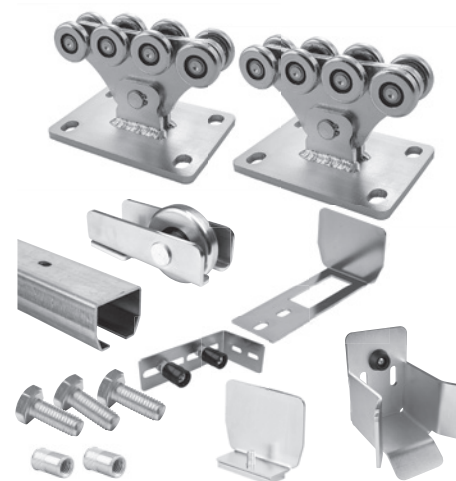
SPEED S 2 pcs
STAGE SZ 6 1 pc
RUN S 1 pc
LAST S 1 pc
PILOT SN 1 pc
PILOT SR 1 pc
FRS 2 1 pc
BOLT M10x25 15 pcs
RIVET NUT 15 pcs

ART. SET / kg
ENZO SZ 03 47,5 kg

GATES UP TO

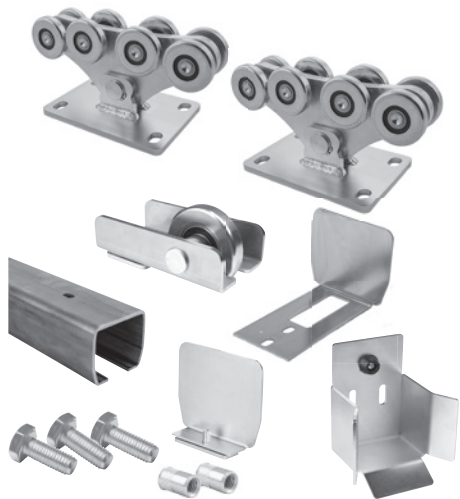
WEIGHT 450 kg
LENGHT 4,5 m

CODE: 1710046



DEMO MBE 02

SET



- SPEED ME 2 pcs
- STAGE MB 6 1 pc
- RUN M 1 pc
- LAST M 1 pc
- PILOT MN 1 pc
- PILOT MR 1 pc
- BOLT M10x25 15 pcs
- RIVET NUT 15 pcs

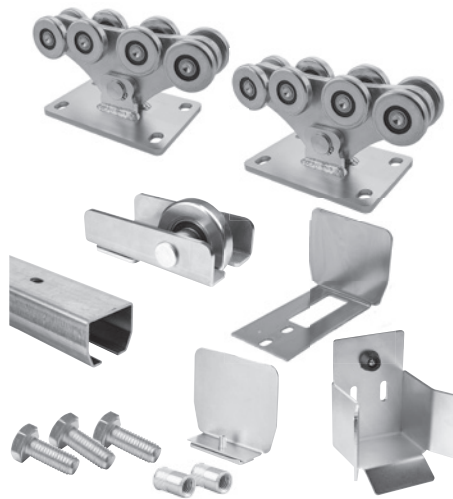
ART. SET / kg
DEMO MBE 02 87,8 kg

GATES UP TO
WEIGHT 500 kg
LENGHT 4 m

CODE: 1710016

DEMO MZE 02

SET



- SPEED ME 2 pcs
- STAGE MZ 6 1 pc
- RUN M 1 pc
- LAST M 1 pc
- PILOT MN 1 pc
- PILOT MR 1 pc
- BOLT M10x25 15 pcs
- RIVET NUT 15 pcs

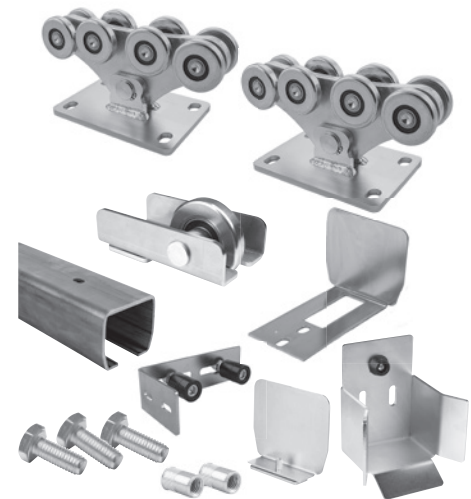
ART. SET / kg
DEMO MZE 02 87,8 kg

GATES UP TO
WEIGHT 500 kg
LENGHT 4 m

CODE: 1710010

DEMO MBE 23

SET



- SPEED ME 2 pcs
- STAGE MB 6 1 pc
- STAGE MB 3 1 pc
- RUN M 1 pc
- LAST M 1 pc
- PILOT MN 1 pc
- PILOT MR 1 pc
- FRM 2 1 pc
- BOLT M10x25 30 pcs
- RIVET NUT 30 pcs

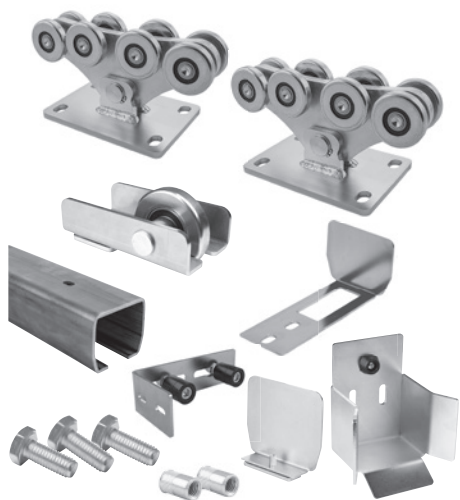
ART. SET / kg
DEMO MBE 23 122,3 kg

GATES UP TO
WEIGHT 600 kg
LENGHT 6 m

CODE: 1710072

DEMO MBE 03

SET



- SPEED ME 2 pcs
- STAGE MB 6 1 pc
- RUN M 1 pc
- LAST M 1 pc
- PILOT MN 1 pc
- PILOT MR 1 pc
- FRM 2 1 pc
- BOLT M10x25 15 pcs
- RIVET NUT 15 pcs

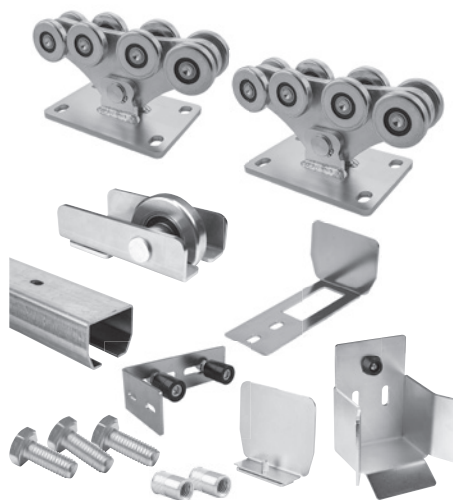
ART. SET / kg
DEMO MBE 03 89,1 kg

GATES UP TO
WEIGHT 500 kg
LENGHT 4 m

CODE: 1710052

DEMO MZE 03

SET



- SPEED ME 2 pcs
- STAGE MZ 6 1 pc
- RUN M 1 pc
- LAST M 1 pc
- PILOT MN 1 pc
- PILOT MR 1 pc
- FRM 2 1 pc
- BOLT M10x25 15 pcs
- RIVET NUT 15 pcs

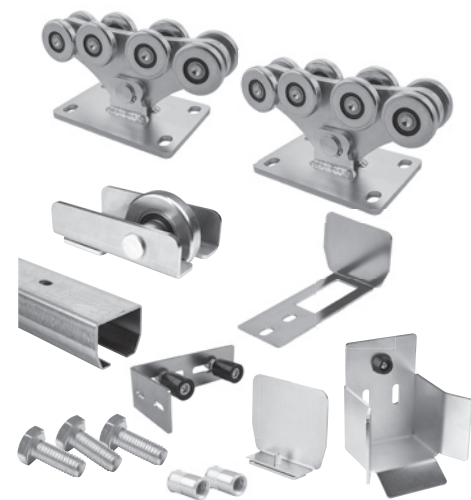
ART. SET / kg
DEMO MZE 03 89,1 kg

GATES UP TO
WEIGHT 500 kg
LENGHT 4 m

CODE: 1710038

DEMO MZE 23

SET



- SPEED ME 2 pcs
- STAGE MZ 6 1 pc
- STAGE MZ 3 1 pc
- RUN M 1 pc
- LAST M 1 pc
- PILOT MN 1 pc
- PILOT MR 1 pc
- FRM 2 1 pc
- BOLT M10x25 30 pcs
- RIVET NUT 30 pcs

ART. SET / kg
DEMO MZE 23 122,3 kg

GATES UP TO
WEIGHT 600 kg
LENGHT 6 m

CODE: 1710073

X - TRACK - 4.5

X - TRACK - 4.5 WTO 825, FRS 2

SET



WTO 825 2 pcs
ROAD 2,8 m 3 pcs
PIN ROAD 2 pcs
DOCKER O 1 pc
FRS 2 1 pc
END S 2 pcs
V/6 5 pcs
BOLT M8x20 4 pcs

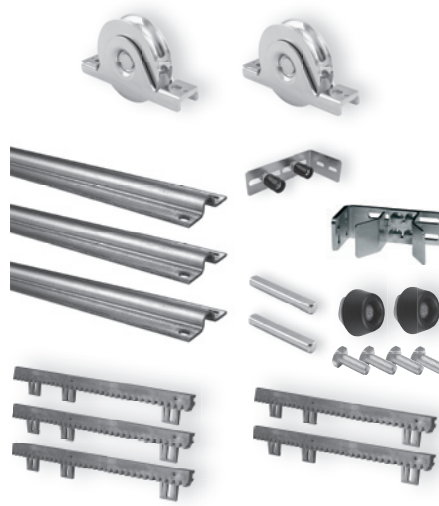
ART. SET / kg
X-TRACK 25,4 kg

GATES UP TO
LENGHT 4,5 m

CODE: 1710200

X - TRACK - 4.5 WSO 824, FRS 2

SET



WSO 824 2 pcs
ROAD 2,8 m 3 pcs
PIN ROAD 2 pcs
DOCKER O 1 pc
FRS 2 1 pc
END S 2 pcs
V/6 5 pcs
BOLT M8x20 4 pcs

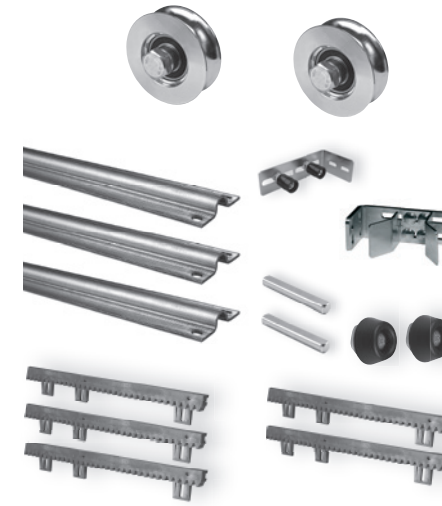
ART. SET / kg
X-TRACK 25,4 kg

GATES UP TO
LENGHT 4,5 m

CODE: 1710202

X - TRACK - 4.5 WO 824, FRS 2

SET



WO 824 2 pcs
ROAD 2,8 m 3 pcs
PIN ROAD 2 pcs
DOCKER O 1 pc
FRS 2 1 pc
END S 2 pcs
V/6 5 pcs

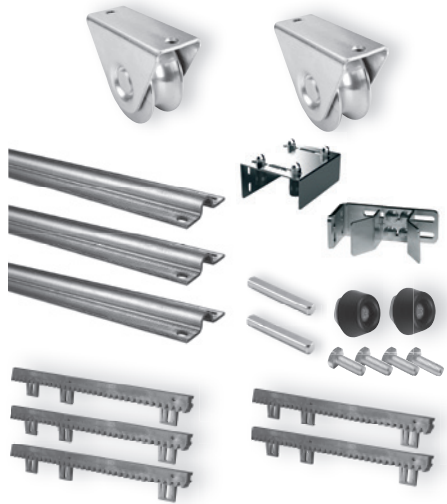
ART. SET / kg
X-TRACK 24,9 kg

GATES UP TO
LENGHT 4,5 m

CODE: 1710204

X - TRACK - 4.5 WTO 825, GOS 4

SET



WTO 825 2 pcs
ROAD 2,8 m 3 pcs
PIN ROAD 2 pcs
DOCKER O 1 pc
GOS 4 1 pc
END S 2 pcs
V/6 5 pcs
BOLT M8x20 4 pcs

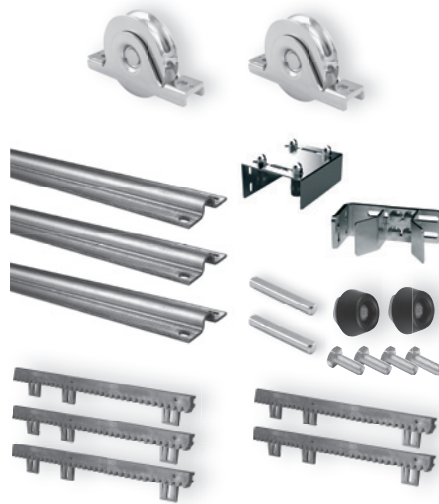
ART. SET / kg
X-TRACK 27 kg

GATES UP TO
LENGHT 4,5 m

CODE: 1710201

X - TRACK - 4.5 WSO 824, GOS 4

SET



WSO 824 2 pcs
ROAD 2,8 m 3 pcs
PIN ROAD 2 pcs
DOCKER O 1 pc
GOS 4 1 pc
END S 2 pcs
V/6 5 pcs
BOLT M8x20 4 pcs

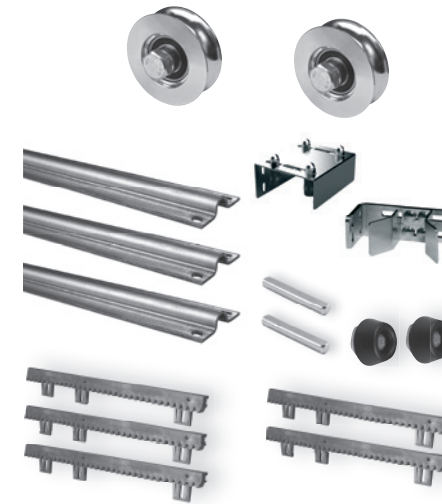
ART. SET / kg
X-TRACK 27 kg

GATES UP TO
LENGHT 4,5 m

CODE: 1710203

X - TRACK - 4.5 WO 824, GOS 4

SET



WO 824 2 pcs
ROAD 2,8 m 3 pcs
PIN ROAD 2 pcs
DOCKER O 1 pc
GOS 4 1 pc
END S 2 pcs
V/6 5 pcs

ART. SET / kg
X-TRACK 26,5 kg

GATES UP TO
LENGHT 4,5 m

CODE: 1710205

X - TRACK - 5.5

X - TRACK - 5.5 WTO 825, FRS 2

SET



- WTO 825 2 pcs
- ROAD 2,8 m 3 pcs
- ROAD 2 m 1 pc
- PIN ROAD 3 pcs
- DOCKER O 1 pc
- FRS 2 1 pc
- END S 2 pcs
- V/6 6 pcs
- BOLT M8x20 4 pcs

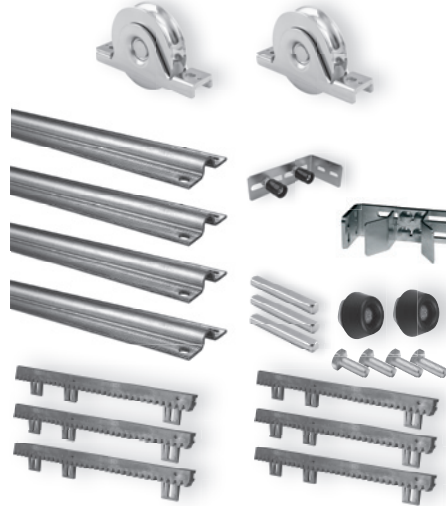
ART. SET / kg
X-TRACK 30,4 kg

GATES UP TO
LENGHT 5.5 m

CODE: 1710206

X - TRACK - 5.5 WSO 824, FRS 2

SET



- WSO 824 2 pcs
- ROAD 2,8 m 3 pcs
- ROAD 2 m 1 pc
- PIN ROAD 3 pcs
- DOCKER O 1 pc
- FRS 2 1 pc
- END S 2 pcs
- V/6 6 pcs
- BOLT M8x20 4 pcs

ART. SET / kg
X-TRACK 30,4 kg

GATES UP TO
LENGHT 5.5 m

CODE: 1710208

X - TRACK - 5.5 WO 824, FRS 2

SET



- WO 824 2 pcs
- ROAD 2,8 m 3 pcs
- ROAD 2 m 1 pc
- PIN ROAD 3 pcs
- DOCKER O 1 pc
- FRS 2 1 pc
- END S 2 pcs
- V/6 6 pcs

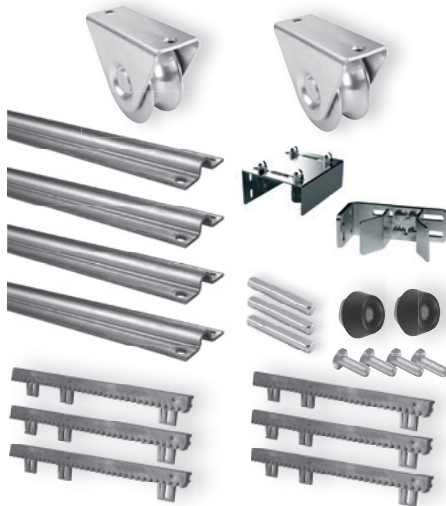
ART. SET / kg
X-TRACK 29,8 kg

GATES UP TO
LENGHT 5.5 m

CODE: 1710210

X - TRACK - 5.5 WTO 825, GOS 4

SET



- WTO 825 2 pcs
- ROAD 2,8 m 3 pcs
- ROAD 2 m 1 pc
- PIN ROAD 3 pcs
- DOCKER O 1 pc
- GOS 4 1 pc
- END S 2 pcs
- V/6 6 pcs
- BOLT M8x20 4 pcs

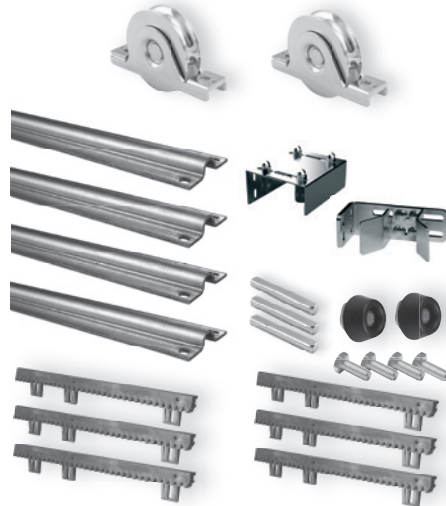
ART. SET / kg
X-TRACK 32 kg

GATES UP TO
LENGHT 5.5 m

CODE: 1710207

X - TRACK - 5.5 WSO 824, GOS 4

SET



- WSO 824 2 pcs
- ROAD 2,8 m 3 pcs
- ROAD 2 m 1 pc
- PIN ROAD 3 pcs
- DOCKER O 1 pc
- GOS 4 1 pc
- END S 2 pcs
- V/6 6 pcs
- BOLT M8x20 4 pcs

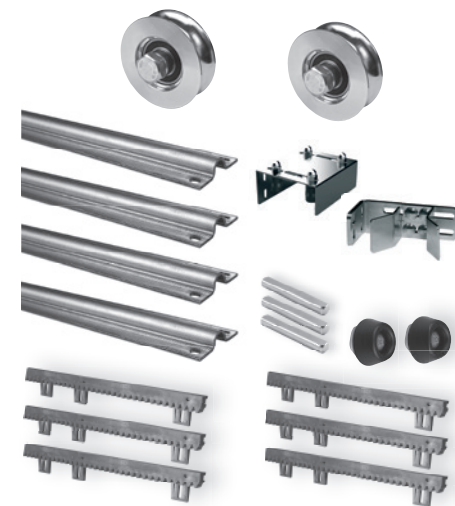
ART. SET / kg
X-TRACK 32 kg

GATES UP TO
LENGHT 5.5 m

CODE: 1710209

X - TRACK - 5.5 WO 824, GOS 4

SET



- WO 824 2 pcs
- ROAD 2,8 m 3 pcs
- ROAD 2 m 1 pc
- PIN ROAD 3 pcs
- DOCKER O 1 pc
- GOS 4 1 pc
- END S 2 pcs
- V/6 6 pcs

ART. SET / kg
X-TRACK 31,5 kg

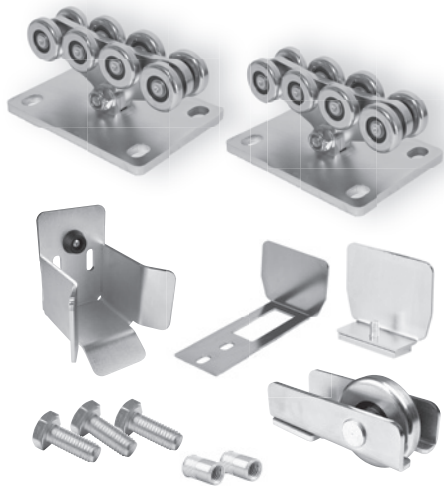
GATES UP TO
LENGHT 5.5 m

CODE: 1710211

LOWCUT

KIT MARE LOWCUT 02

SET



SPEED S - LOWCUT ..2 pcs
RUN S 1 pc
LAST S 1 pc
PILOT SN 1 pc
PILOT SR 1 pc
BOLT M10x25 15 pcs
RIVET NUT 15 pcs

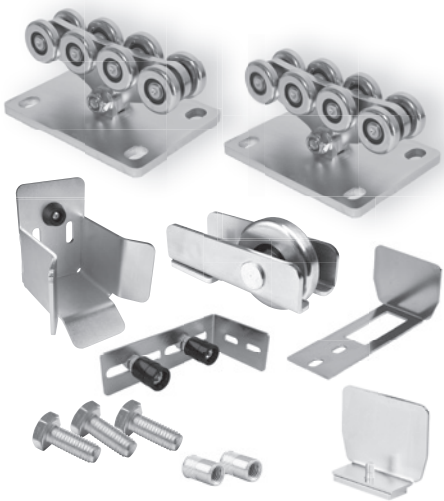
ART. SET / kg
MARE LOWCUT 0212,7 kg

GATES UP TO
WEIGHT 325 kg

CODE: 1710118

KIT MARE LOWCUT 03

SET



SPEED S - LOWCUT ..2 pcs
RUN S 1 pc
LAST S 1 pc
PILOT SN 1 pc
PILOT SR 1 pc
FRS 2 1 pc
BOLT M10x25 15 pcs
RIVET NUT 15 pcs

ART. SET / kg
MARE LOWCUT 0313,3 kg

GATES UP TO
WEIGHT 325 kg

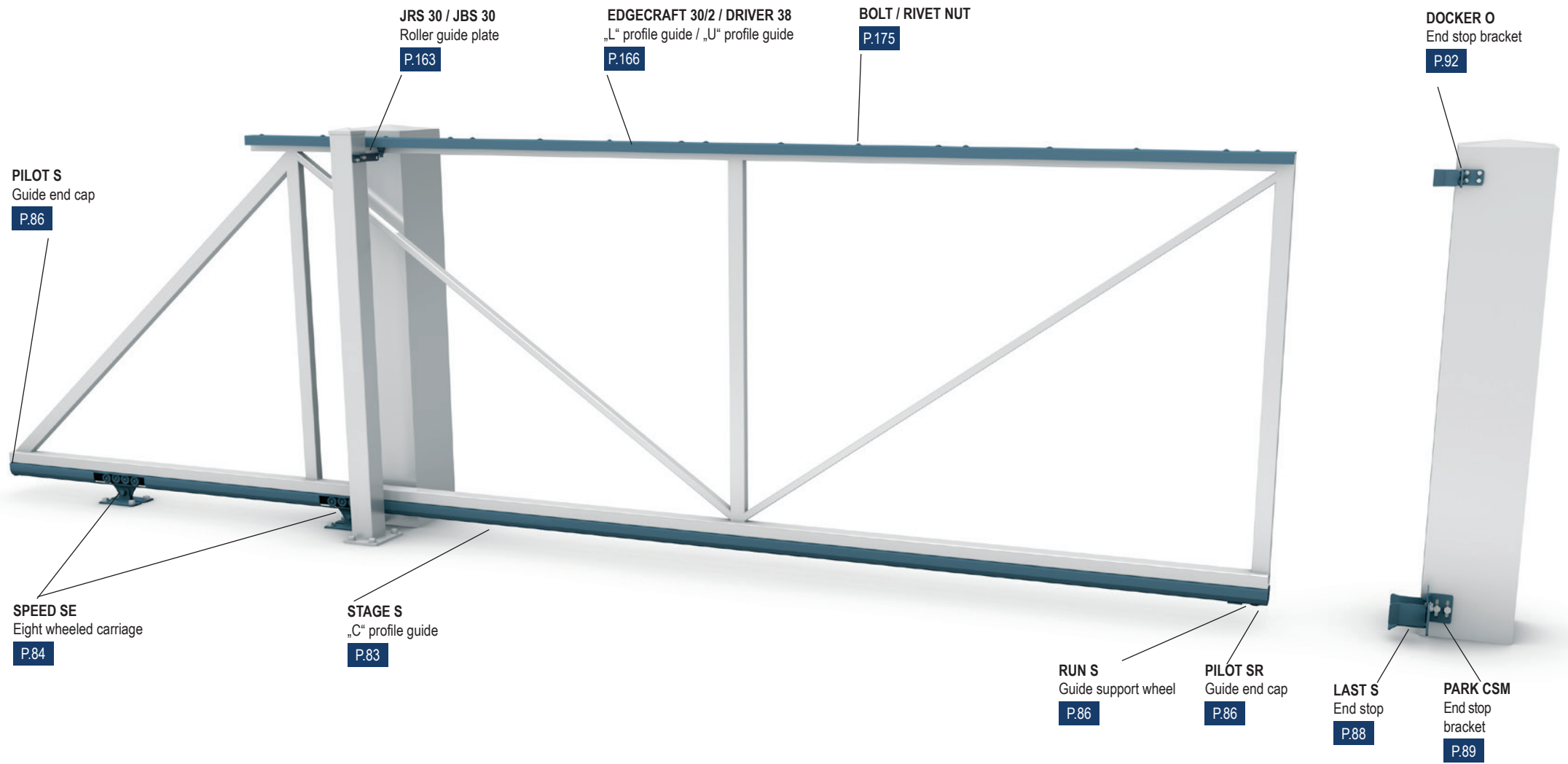
CODE: 1710119

“ALWAYS DELIVER
MORE THAN
EXPECTED”

– Larry Page



HIGH QUALITY GERMAN STEEL
CAIS PARTNER




CANTILEVER SE 4.0

CANTILEVER HARDWARE

CANTILEVER SE						
	mm; kg	mm; kg	mm; kg	mm; kg	mm; kg	mm; kg
A	3000	3200	3400	3600	3800	4000
max. weight gate	325 kg	325 kg	325 kg	325 kg	325 kg	325 kg
B	900	960	1020	1080	1140	1200
C	1300	1360	1420	1480	1540	1600
D	270	270	270	270	270	270
F	130	130	130	130	130	130



EASY
ASSEMBLY



FAST
NO WELDING
REQUIRED



15 BOLTS
15 RIVET NUTS
INCLUDED (*)



«C» TRACK SERIAL NO.
100% COMPATIBILITY
CARRIAGE TESTED



GERMAN
STEEL



HOT DIPPED
GALVANIZED



ARROW STRAIGHT
«C» TRACK



SLOTTED HOLE
PUNCHED EVERY
400mm IN TRACK



GALVANIZED
INTERNAL EDGES



MADE IN
CZECH REPUBLIC



C 2
HIGH QUALITY
BEARINGS



CARRIAGES CENTER
HOLES MILLED
NOT LASER CUT



MULTI RIVETED
SECTIONS



JAPANESE ROBOTICS
FANUC



UNIVERSITY OF
TECHNOLOGY - BRNO



- 37°C
TESTED & PROVEN

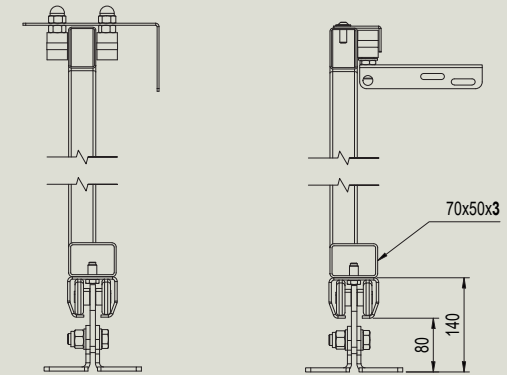
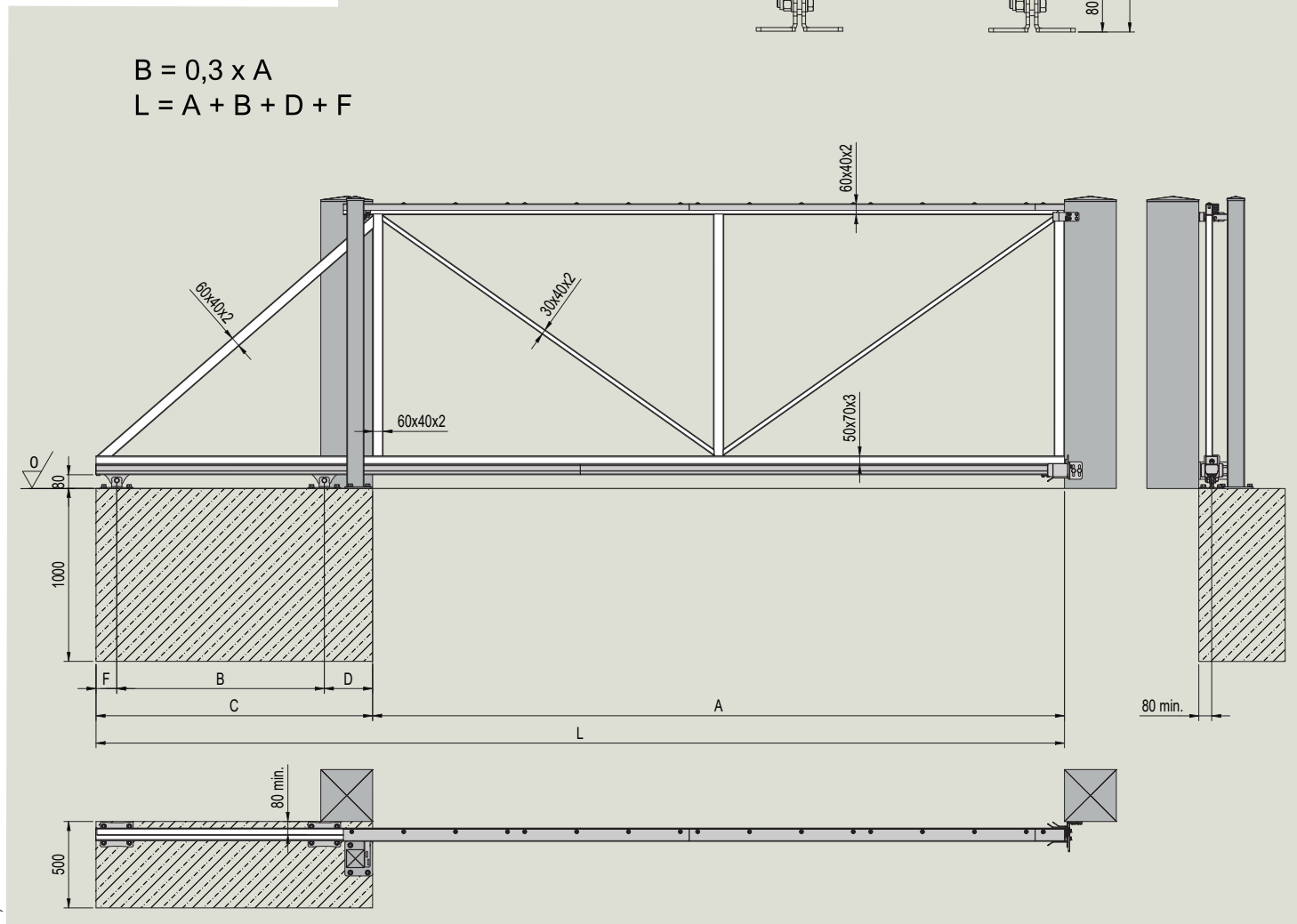


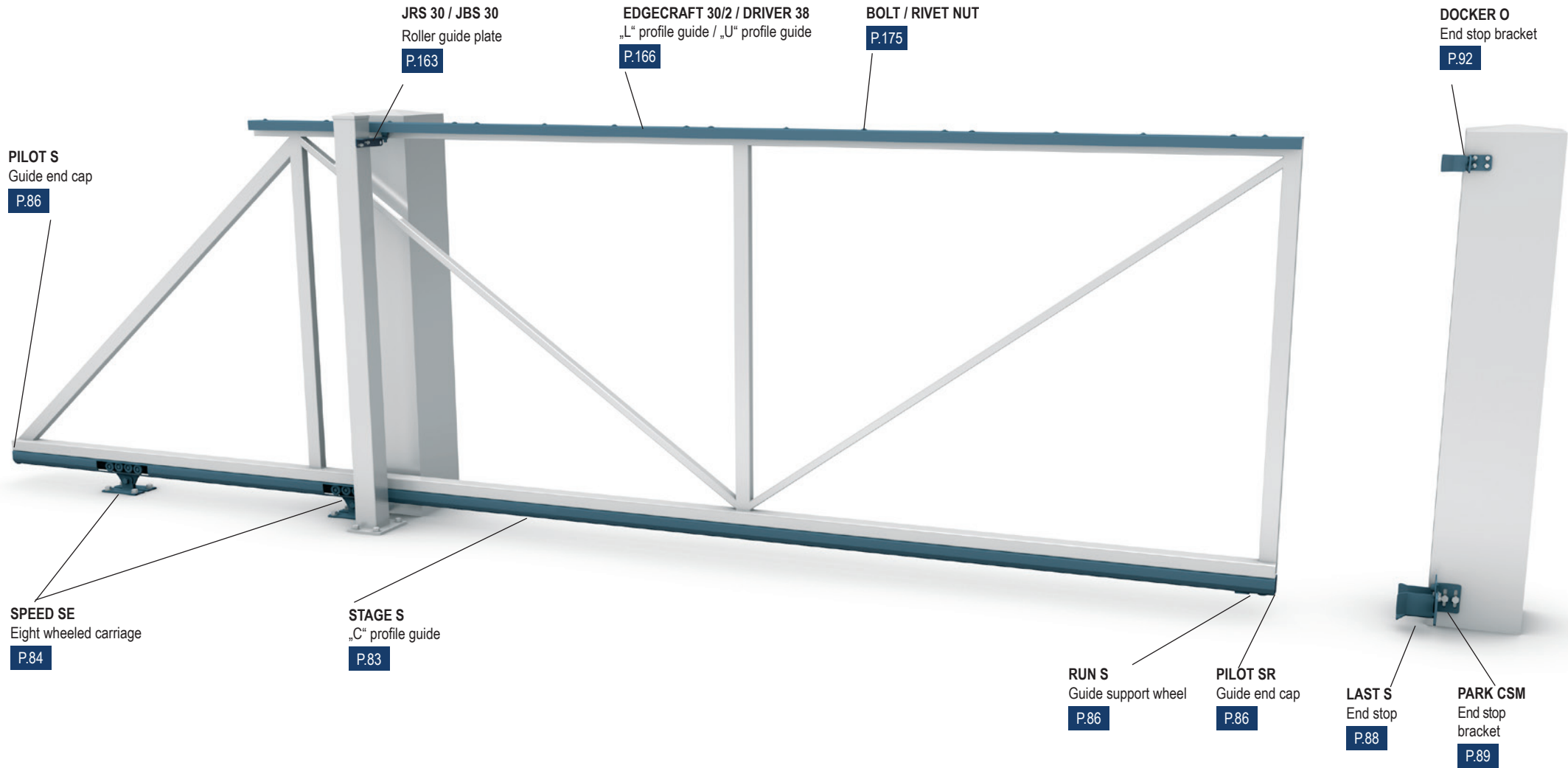
+ 50°C
TESTED & PROVEN



NO WELDING
REQUIRED

(*) ONLY SETS
























CANTILEVER S 4.5

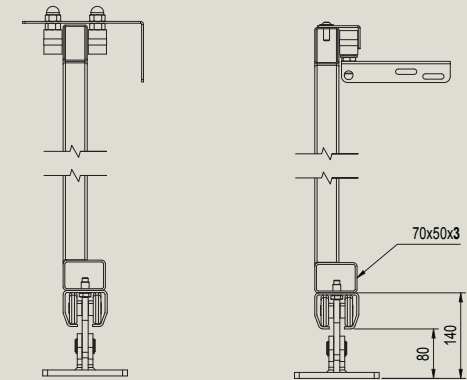
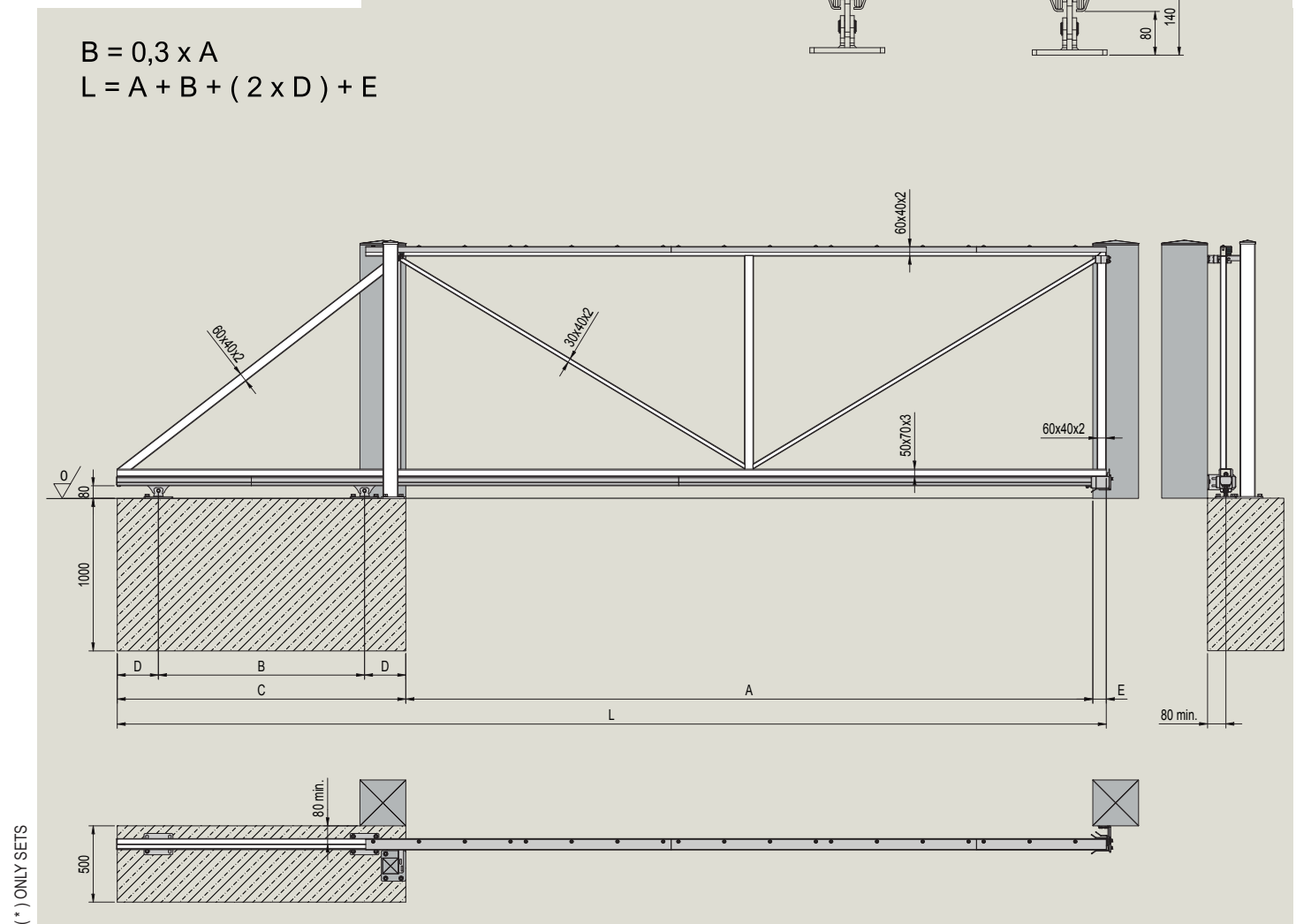
CANTILEVER HARDWARE

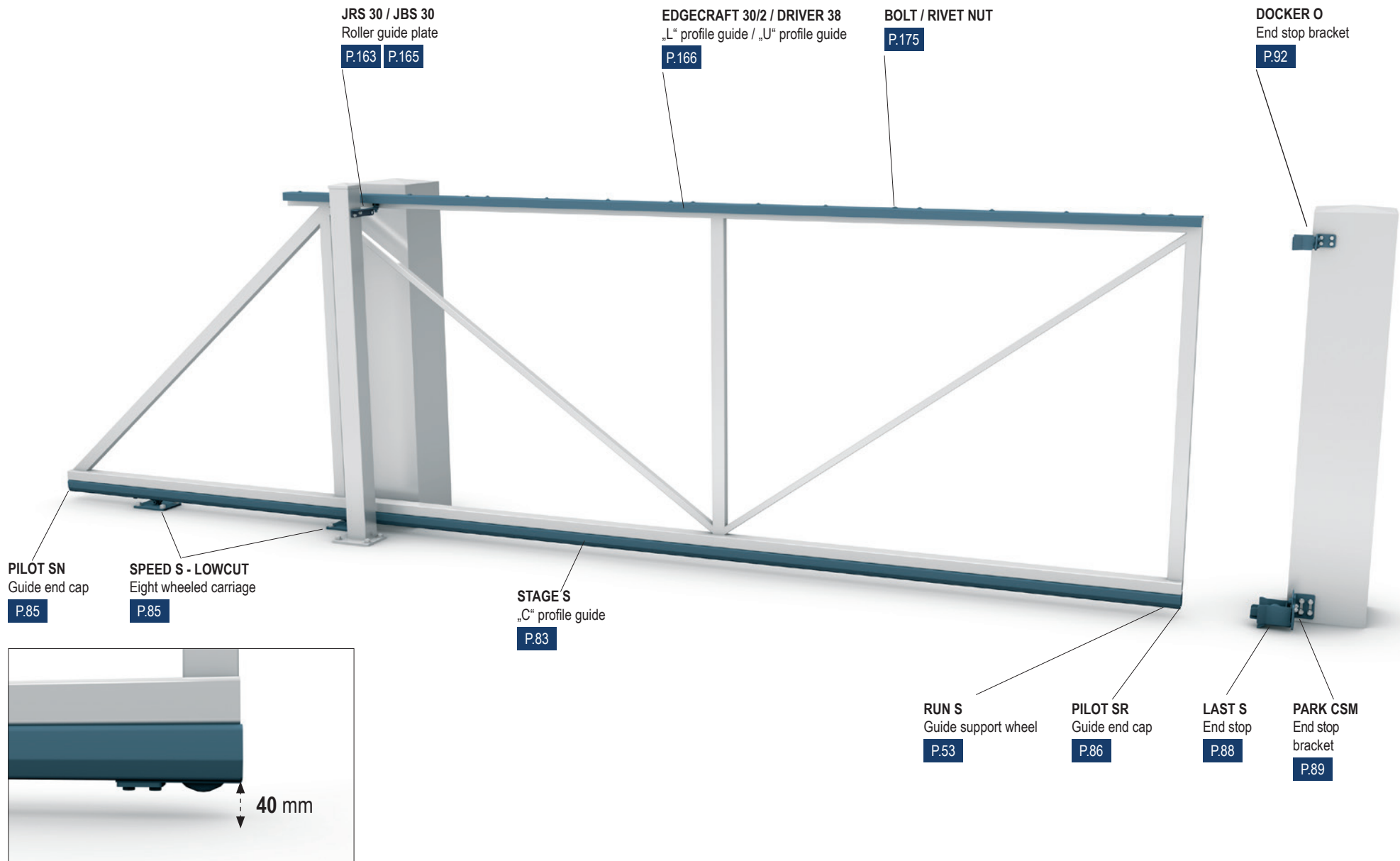
CANTILEVER S	mm; kg	mm; kg	mm; kg	mm; kg	mm; kg	mm; kg	mm; kg	mm; kg
A	3000	3200	3400	3600	3800	4000	4200	4500
max. weight gate	325 kg	325 kg	325 kg	350 kg	375 kg	400 kg	425 kg	450 kg
B	900	960	1020	1080	1140	1200	1260	1350
C	1440	1500	1560	1620	1680	1740	1800	1890
D	270	270	270	270	270	270	270	270

-  EASY ASSEMBLY
-  FAST NO WELDING REQUIRED
-  15 BOLTS 15 RIVET NUTS INCLUDED (*)
-  «C» TRACK SERIAL NO. 100% COMPATIBILITY CARRIAGE TESTED
-  GERMAN STEEL
-  270 g/m² HOT DIPPED GALVANIZED
-  ARROW STRAIGHT «C» TRACK
-  SLOTTED HOLE PUNCHED EVERY 400mm IN TRACK
-  GALVANIZED INTERNAL EDGES
-  MADE IN CZECH REPUBLIC
-  C 2 HIGH QUALITY BEARINGS
-  CARRIAGES CENTER HOLES MILLED NOT LASER CUT
-  MULTI RIVETED SECTIONS
-  JAPANESE ROBOTICS FANUC
-  UNIVERSITY OF TECHNOLOGY – BRNO
-  - 37°C TESTED & PROVEN
-  + 50°C TESTED & PROVEN
-  NO WELDING REQUIRED

$$B = 0,3 \times A$$

$$L = A + B + (2 \times D) + E$$























NEW 

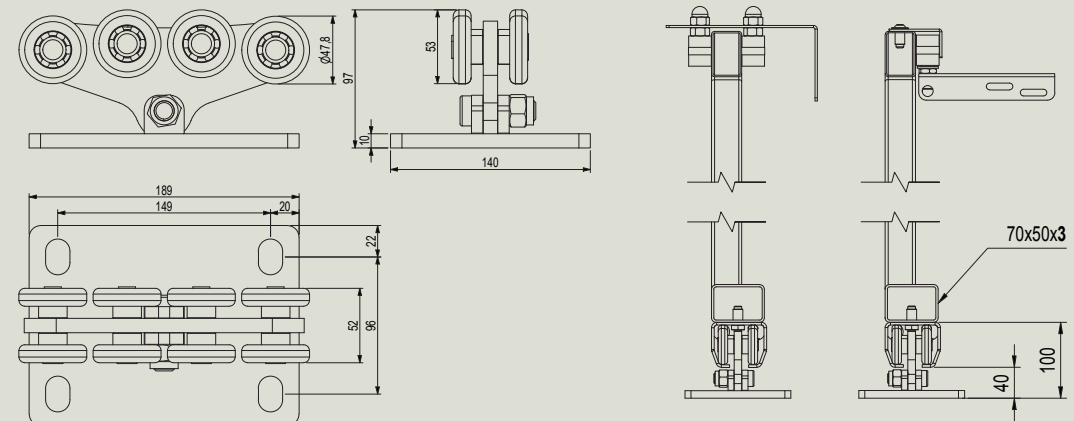
CAIS **CANTILEVER LOWCUT 4.0**

40 MM LOW HEIGHT
CANTILEVER HARDWARE

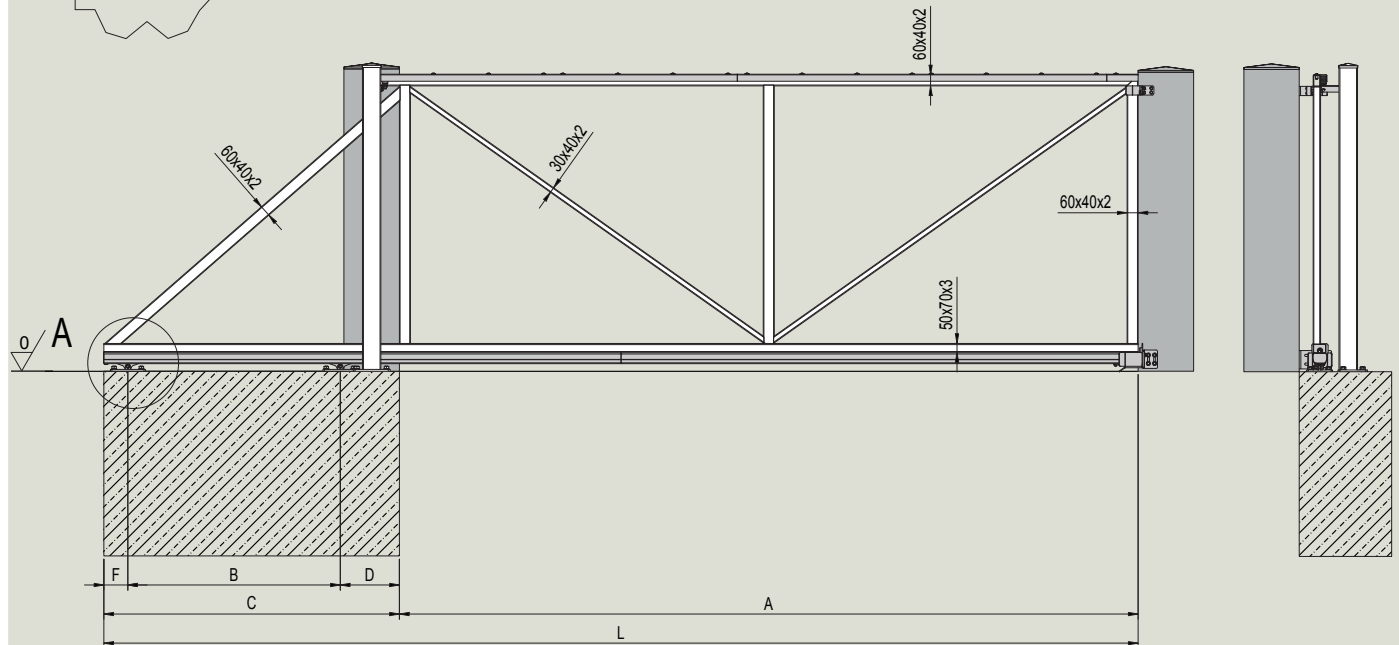
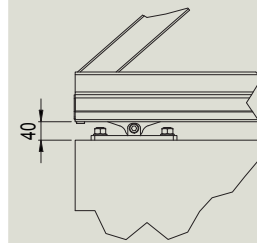
LOWCUT 4.0						
	mm; kg	mm; kg	mm; kg	mm; kg	mm; kg	mm; kg
A	3000	3200	3400	3600	3800	4000
max. weight gate	240 kg	240 kg	240 kg	240 kg	240 kg	240 kg
B	900	960	1020	1080	1140	1200
C	1300	1360	1420	1480	1540	1600
D	270	270	270	270	270	270
F	130	130	130	130	130	130

-  40 MM LOW HEIGHT «C» TRACK
-  EASY ASSEMBLY
-  FAST NO WELDING REQUIRED
-  15 BOLTS
15 RIVET NUTS INCLUDED (*)
-  «C» TRACK SERIAL NO. 100% COMPATIBILITY CARRIAGE TESTED
N°239892
-  GERMAN STEEL
-  270 g/m² HOT DIPPED GALVANIZED
-  ARROW STRAIGHT «C» TRACK
-  SLOTTED HOLE PUNCHED EVERY 400mm IN TRACK
-  MADE IN CZECH REPUBLIC
-  C 2 HIGH QUALITY BEARINGS
-  CARRIAGES CENTER HOLES MILLED NOT LASER CUT
-  MULTI RIVETED SECTIONS
-  JPN JAPANESE ROBOTICS FANUC
-  R&D UNIVERSITY OF TECHNOLOGY – BRNO
-  - 37°C TESTED & PROVEN
-  + 50°C TESTED & PROVEN
-  NO WELDING REQUIRED

SPEED S - LOWCUT

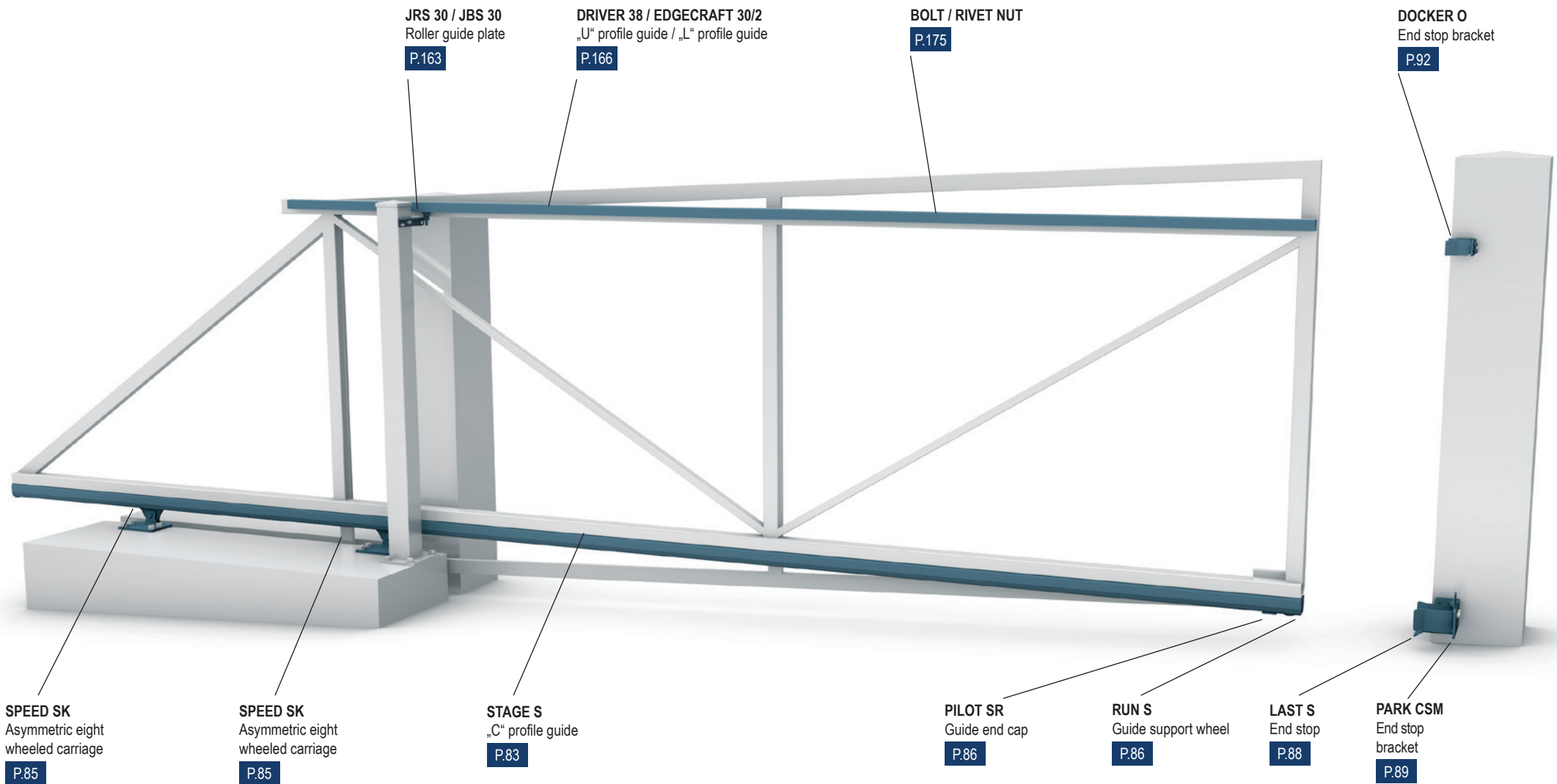


DETAIL: A



(*) ONLY SETS

FRAME NOT INCLUDED























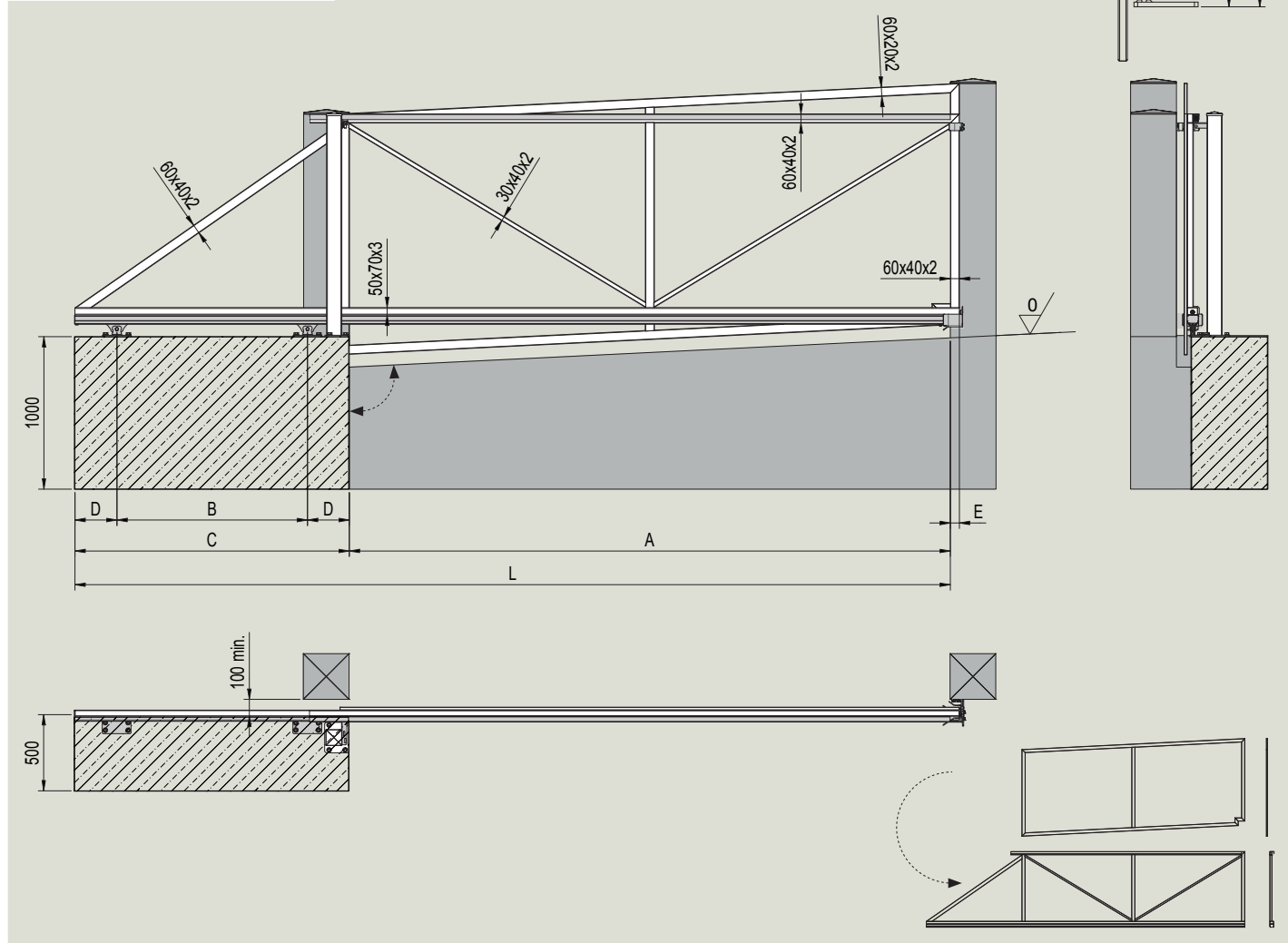

CANTILEVER SK 4.5

CANTILEVER HARDWARE
 FOR INCLINED DRIVEWAY

CANTILEVER SK	mm; kg	mm; kg	mm; kg	mm; kg	mm; kg	mm; kg	mm; kg	mm; kg
A	3000	3200	3400	3600	3800	4000	4200	4500
max. weight gate	325 kg	325 kg	325 kg	350 kg	375 kg	400 kg	425 kg	450 kg
B	900	960	1020	1080	1140	1200	1260	1350
C	1440	1500	1560	1620	1680	1740	1800	1890
D	270	270	270	270	270	270	270	270

$B = 0,3 \times A$
 $L = A + B + (2 \times D) + E$

-  SUITABLE FOR INCLINED DRIVEWAY INSTALLATION
-  EASY ASSEMBLY
-  FAST NO WELDING REQUIRED
-  15 BOLTS 15 RIVET NUTS INCLUDED (*)
-  «C» TRACK SERIAL NO. 100% COMPATIBILITY CARRIAGE TESTED N°239892
-  GERMAN STEEL
-  270 g/m² HOT DIPPED GALVANIZED
-  ARROW STRAIGHT «C» TRACK
-  SLOTTED HOLE PUNCHED EVERY 400mm IN TRACK
-  GALVANIZED INTERNAL EDGES
-  ASYMMETRIC EIGHT WHEELED CARRIAGE
-  C 2 HIGH QUALITY BEARINGS
-  CARRIAGES CENTER HOLES MILLED NOT LASER CUT
-  MULTI RIVETED SECTIONS
-  JPN JAPANESE ROBOTICS FANUC
-  R&D UNIVERSITY OF TECHNOLOGY – BRNO
-  - 37°C TESTED & PROVEN
-  + 50°C TESTED & PROVEN
-  CZ MADE IN CZECH REPUBLIC
-  NO WELDING REQUIRED



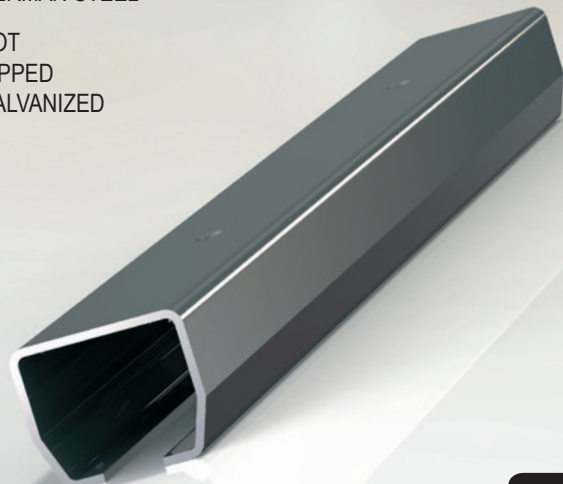


W Wuppermann

GERMAN STEEL

270
g/m²

HOT
DIPPED
GALVANIZED



SPECIAL
THICKNESS

3,50
mm

24
months

24 MONTHS
TESTED
& PROVEN



- 37°C
TESTED
& PROVEN



+ 50°C
TESTED
& PROVEN



MADE IN THE
CZECH
REPUBLIC



SLOTTED HOLE
PUNCHED EVERY
400mm IN TRACK



15 BOLTS
15 RIVET NUTS
INCLUDED (*)



SERIAL NUMBER
CARRIAGE
TESTED & PROVEN

7105523



EASY
ASSEMBLY



FAST
NO WELDING REQUIRED



T BRNO
UNIVERSITY
OF TECHNOLOGY

7105523



ARROW
STRAIGHT
«C» TRACK



EIGHTEEN ROLL FORMERS
THE MOST IN THE INDUSTRY
REMOVE THE INSET «MEMORY» OF STEEL

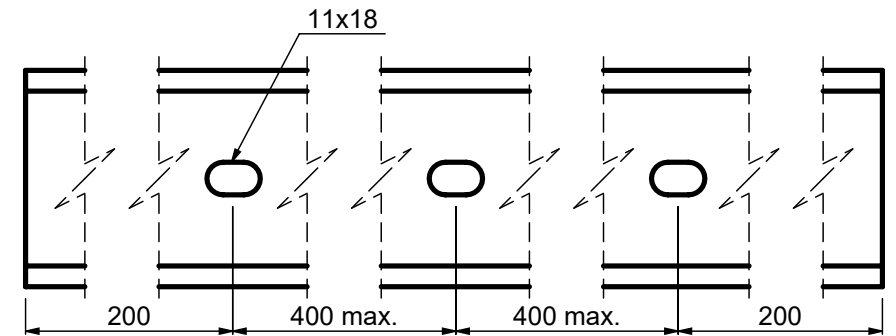
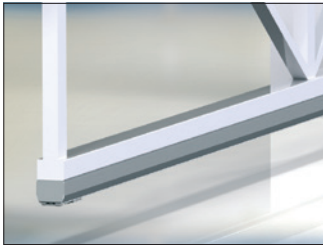
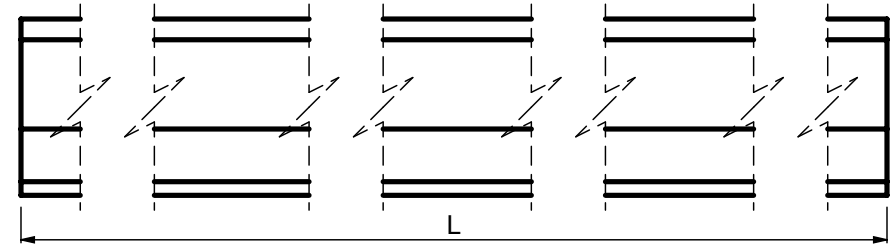
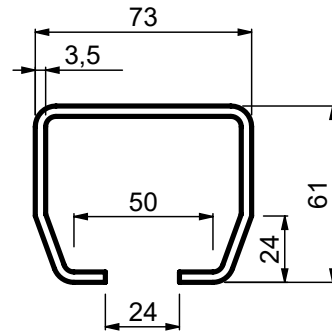
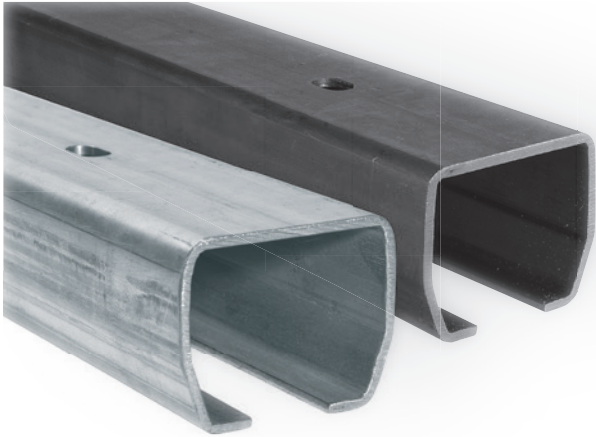
18

AVAILABLE
CUSTOMISED LENGTHS
UNDER SPECIAL TERMS




SLOW ROLLING
NO HEAT DURING THE PRODUCTION
KEEPING THE MATERIAL WHERE IT IS ROLLED









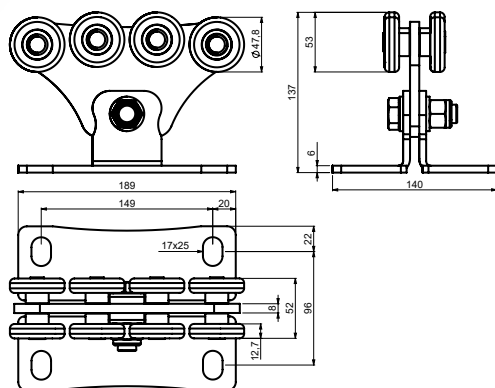
- (GB) „C“ PROFIL GUIDE FOR CANTILEVER GATE
- (D) „C“ PROFIL FÜR FREITRAGENDE SCHIEBETÖRE
- (F) GUIDE À PROFIL EN « C » POUR PORTAIL AUTOPORTANT
- (E) GUÍA CON PERFIL “C” PARA PUERTA VOLADIZA
- (P) GUIA DE PERFIL “C” PARA PORTÃO CANTILEVER
- (I) GUIDA CON PROFILO A “C” PER CANCELLO AUTOPORTANTE
- (DK) “C” PROFILVANGE TIL FRITBÆRENDE PORT
- (NL) “C” PROFIEL GELEIDER VOOR VRIJDRAGENDE SCHUIFPOORT
- (N) “C”-PROFILSKINNE FOR FRITTBÆRENDE PORTX
- (S) “C” GEJDPROFIL FÖR FRIBÄRANDE GRIND
- (FIN) “C” -PROFILLIÖHJAIN ULÖKEKANNETEISEEN PORTTIIN
- (PL) SZYNA DO BRAM SAMONOŚNYCH
- (SK) NOSNÝ „C“ PROFIL PRE POSUVNÚ SAMONOSNÚ BRÁNU
- (EE) “C” -PROFILLI JUHIK KONSOLVÄRÄVA JAOKS
- (LT) „C“ FORMOS PROFILIUOTAS KREIPTUVAS GEMBINIAMS VARTAMS
- (LV) “C” VEIDA PROFILS KONSOLVEIDA VĀRTIEM

- (CZ) ŠÍNA „C“ PROFIL PRO POSUVNOU SAMONOSNOU BRÁNU
- (RO) GHIDAJ CU PROFIL „C“ PENTRU POARTA AUTOPORTANTĂ ÎN CONSOLĂ
- (HR) VODILICA „C“ PROFILA ZA KLIZNA DVORIŠNA VRATA
- (RU) НАПРАВЛЯЮЩИЙ РЕЛЬС / ПРОФИЛЬ «С» ДЛЯ ОТКАТНЫХ САМОНЕСУЩИХ ВОРОТ
- (SLO) “C” VODILO ZA SAMONOSNA DRNSNA VRATA
- (TR) KONSOL BAHÇE KAPISI İÇİN “C” PROFİL KIZAĞI
- (AR) للبوابة المدعومة “C” دعامة دليوية جانبية
- (CHN) 悬臂门“C”型导轨
- (MAL) PANDU PROFIL “C” UNTUK PINTU PAGAR JULUR
- (H) C-VEZETŐSÍN TOLÓKAPUHOZ
- (IL) קורה בפרופיל “C” לישעור קונסול
- (BG) “C”-ОБРАЗНА РЕЛСА ЗА КОНЗОЛНА ВРАТА
- (KO) 캔틸레버 게이트용 “C”자형 프로필 가이드
- (SRB) VODICA „C“ PROFILA ZA SAMONOSIVU KAPIJU

Art.	CARRIAGE	GUIDE	L/1pc	1pc			CODE
					pcs	kg	
STAGE SB 6	SPEED S/SE/SK/LOWCUT	UNGALVANIZED	6000	33	24	792	1700002
STAGE SB 5,6	SPEED S/SE/SK/LOWCUT	UNGALVANIZED	5600	30,8	24	739,2	1700176
STAGE SB 3	SPEED S/SE/SK/LOWCUT	UNGALVANIZED	3000	16,5	24	396	1700167
STAGE SB 2,8	SPEED S/SE/SK/LOWCUT	UNGALVANIZED	2800	15,4	24	369,6	1720006
STAGE SB 1	SPEED S/SE/SK/LOWCUT	UNGALVANIZED	1000	5,5	24	132	1720008
STAGE SZ 6	SPEED S/SE/SK/LOWCUT	GALVANIZED	6000	33	24	792	1700003
STAGE SZ 5,6	SPEED S/SE/SK/LOWCUT	GALVANIZED	5600	30,8	24	739,2	1700177
STAGE SZ 3	SPEED S/SE/SK/LOWCUT	GALVANIZED	3000	16,5	24	396	1700168
STAGE SZ 2,8	SPEED S/SE/SK/LOWCUT	GALVANIZED	2800	15,4	24	369,6	1720016
STAGE SZ 1	SPEED S/SE/SK/LOWCUT	GALVANIZED	1000	5,5	24	132	1720018



-  C2 HIGH QUALITY BEARINGS
-  CARRIAGES CENTER HOLES MILLED NOT LASER CUT
-  MULTI RIVETED SECTIONS
- mono block** MONO BLOCK EIGHT WHEELED CARRIAGE
-  NO WELDED PARTS






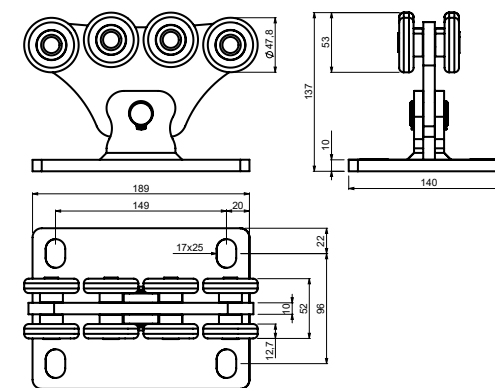
- (GB) ASYMMETRIC EIGHT WHEELED CARRIAGE FOR CANTILEVER GATE
- (D) ROLLAPPARAT MIT ACHT ROLLEN FÜR FREITRAGENDE SCHIEBETORE
- (F) CHARIOT À HUIT ROUES POUR PORTAIL AUTOPORTANT
- (E) CARRIL DE OCHO RUEDAS PARA PUERTA VOLADIZA
- (P) CORREDIÇA DE OITO ROLDANAS PARA PORTÃO CANTILEVER
- (I) CARRELLO A OTTO RUOTE PER CANCELLO AUTOPORTANTE
- (DK) OTTE TRANSPORTHJUL TIL FRITTBÆRENDE PORT
- (NL) ACHTVOUDIG WIELENBLOK VOOR VRIJDRAGENDE SCHUIFPOORT
- (N) ATTEHJULS DRIVSKINNE TIL FRITTBÆRENDE PORT
- (S) ÅTTAHJULIG VAGN FÖR FRIBÄRANDE GRIND
- (FIN) KAHDEKSAN PYÖRÄN ALUSTA ULOKEKANNETIESEEN PORTTIIN
- (PL) WÓZEK 8-ROLKOWY DO BRAM SAMONOŚNYCH
- (SK) VOZÍK OSEM KOLIEČKOVÝ PRE POSUVNÚ SAMONOSNÚ BRÁNU
- (EE) KAHEKSARATTALINE SUPORT KONSOLVÄRAVA JAOKS
- (LT) VEŽIMĖLIS GEMBINIAMS VARTAMS SU AŠTUONIAIS RATUKAIS
- (LV) ASTOŅU RUĻĻU BLOKS KONSOLVEIDA VĀRTIEM

- (CZ) VOZÍK OSMIKOLOVÝ PRO POSUVNOU SAMONOSNOU BRÁNU
- (RO) CĂRUCIOR PE OPT ROȚI PENTRU POARTA AUTOPORTANTĂ ÎN CONSOLĂ
- (HR) NOSAČ S OSAM KOTAČA ZA KLIZNA DVORIŠNA VRATA
- (RUS) ВОСЬМИКОЛЕСНАЯ РОЛИКОВАЯ ТЕЛЕЖКА ДЛЯ ОТКАТНЫХ САМОНЕСУЩИХ ВОРОТ
- (SLO) VOZIČEK Z OSMIMI KOLESI ZA SAMONOSNA DRŠNA VRATA
- (TR) KONSOL BAHÇE KAPISI İÇİN SEKİZ TEKERLEKLİ TAŞIYICI
- (AR) عربة مزودة بشعبي عجلات للوابت المدعنة
- (CHN) 悬臂门八轮滑架
- (MAL) PENYORONG LAPAN RODA UNTUK PINTU PAGAR JULUR
- (H) NYOLCGÖRGÖS FUTÓKOCSI TOLÓKAPUHOZ
- (IL) קרונית שמנונה גלגלים לשער קונדולי
- (BG) КОЛИЧКА С ОСЕМ РОЛКИ ЗА КОНЗОЛНА ВРАТА
- (KO) 8개 휠이 있는 캔틸레버 게이트용 이송대
- (SRB) NOSAČ SA OSAM TOČKIČA ZA SAMONOSIVU KAPIJU

Art.	A	GUIDE	1pc			CODE
			kg	pcs	kg	
SPEED SE	4000	STAGE SB/SZ	3,5	2	7	1700174



-  C2 HIGH QUALITY BEARINGS
-  CARRIAGES CENTER HOLES MILLED NOT LASER CUT
-  MULTI RIVETED SECTIONS
- mono block** MONO BLOCK EIGHT WHEELED CARRIAGE




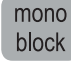



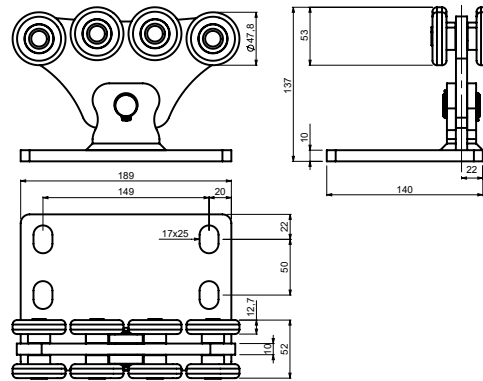
- (GB) EIGHT WHEELED CARRIAGE FOR CANTILEVER GATE
- (D) ROLLAPPARAT MIT ACHT ROLLEN FÜR FREITRAGENDE SCHIEBETORE
- (F) CHARIOT À HUIT ROUES POUR PORTAIL AUTOPORTANT
- (E) CARRIL DE OCHO RUEDAS PARA PUERTA VOLADIZA
- (P) CORREDIÇA DE OITO ROLDANAS PARA PORTÃO CANTILEVER
- (I) CARRELLO A OTTO RUOTE PER CANCELLO AUTOPORTANTE
- (DK) OTTE TRANSPORTHJUL TIL FRITTBÆRENDE PORT
- (NL) ACHTVOUDIG WIELENBLOK VOOR VRIJDRAGENDE SCHUIFPOORT
- (N) ATTEHJULS DRIVSKINNE TIL FRITTBÆRENDE PORT
- (S) ÅTTAHJULIG VAGN FÖR FRIBÄRANDE GRIND
- (FIN) KAHDEKSAN PYÖRÄN ALUSTA ULOKEKANNETIESEEN PORTTIIN
- (PL) WÓZEK 8-ROLKOWY DO BRAM SAMONOŚNYCH
- (SK) VOZÍK OSEM KOLIEČKOVÝ PRE POSUVNÚ SAMONOSNÚ BRÁNU
- (EE) KAHEKSARATTALINE SUPORT KONSOLVÄRAVA JAOKS
- (LT) VEŽIMĖLIS GEMBINIAMS VARTAMS SU AŠTUONIAIS RATUKAIS
- (LV) ASTOŅU RUĻĻU BLOKS KONSOLVEIDA VĀRTIEM

- (CZ) VOZÍK OSMIKOLOVÝ PRO POSUVNOU SAMONOSNOU BRÁNU
- (RO) CĂRUCIOR PE OPT ROȚI PENTRU POARTA AUTOPORTANTĂ ÎN CONSOLĂ
- (HR) NOSAČ S OSAM KOTAČA ZA KLIZNA DVORIŠNA VRATA
- (RUS) ВОСЬМИКОЛЕСНАЯ РОЛИКОВАЯ ТЕЛЕЖКА ДЛЯ ОТКАТНЫХ САМОНЕСУЩИХ ВОРОТ
- (SLO) VOZIČEK Z OSMIMI KOLESI ZA SAMONOSNA DRŠNA VRATA
- (TR) KONSOL BAHÇE KAPISI İÇİN SEKİZ TEKERLEKLİ TAŞIYICI
- (AR) عربة مزودة بشعبي عجلات للوابت المدعنة
- (CHN) 悬臂门八轮滑架
- (MAL) PENYORONG LAPAN RODA UNTUK PINTU PAGAR JULUR
- (H) NYOLCGÖRGÖS FUTÓKOCSI TOLÓKAPUHOZ
- (IL) קרונית שמנונה גלגלים לשער קונדולי
- (BG) КОЛИЧКА С ОСЕМ РОЛКИ ЗА КОНЗОЛНА ВРАТА
- (KO) 8개 휠이 있는 캔틸레버 게이트용 이송대
- (SRB) NOSAČ SA OSAM TOČKIČA ZA SAMONOSIVU KAPIJU

Art.	A	GUIDE	1pc			CODE
			kg	pcs	kg	
SPEED S	4500	STAGE SB/SZ	4,7	2	9,4	1700001



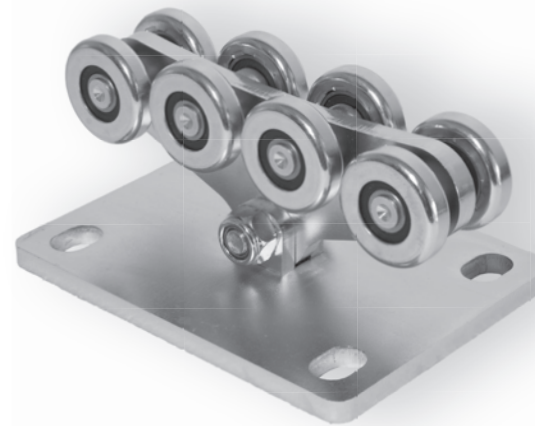
-  SUITABLE FOR INCLINED DRIVEWAY INSTALLATION
-  ASYMMETRIC EIGHT WHEELED CARRIAGE
-  C 2 HIGH QUALITY BEARINGS
- mono block** MONO BLOCK EIGHT WHEELED CARRIAGE
-  CARRIAGES CENTER HOLES MILLED NOT LASER CUT
-  MULTI RIVETED SECTIONS




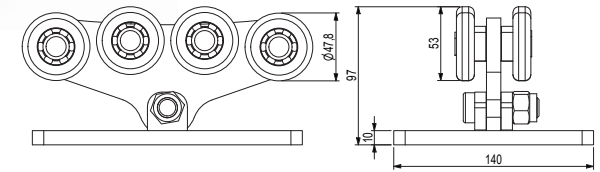
- (GB) EIGHT WHEELED CARRIAGE FOR CANTILEVER GATE
- (D) ROLLAPPARAT MIT ACHT ROLLEN FÜR FREITRAGENDE SCHIEBETÖRE
- (F) CHARIOT À HUIT ROUES POUR PORTAIL AUTOPORTANT
- (E) CARRIL DE OCHO RUEDAS PARA PUERTA VOLADIZA
- (P) CORREDIÇA DE OITO ROLDANAS PARA PORTÃO CANTILEVER
- (I) CARRELLO A OTTO RUOTE PER CANCELLO AUTOPORTANTE
- (DK) OTTE TRANSPORTHJUL TIL FRITTBÆRENDE PORT
- (NL) ACHTVOUDIG WIELENBLOK VOOR VRIJDRAGENDE SCHUIFPOORT
- (N) ATTEHJULS DRIVSKINNE TIL FRITTBÆRENDE PORT
- (S) ATTAHJULIG VAGN FÖR FRIBÄRANDE GRIND
- (FIN) KAHDEKSAN PYÖRÄN ALUSTA ULOKEKANNETTEISEEN PORTTIIN
- (PL) WÓZEK 8-ROLKOWY DO BRAM SAMONOŚNYCH
- (SK) VOZÍK OSEM KOLIEČKOVÝ PRE POSUVNÚ SAMONOSNÚ BRÁNU
- (EE) KAHEKSARATTALINE SUPORT KONSOLVÄRAVA JAOKS
- (LT) VEŽIMĖLIS GEMBINIAMS VARTAMS SU AŠTUONIAIS RATUKAIS
- (LV) ASTOŅU RUĻĻU BLOKS KONSOLVEIDA VĀRTIEM

- (CZ) VOZÍK OSMIKOLOVÝ PRO POSUVNOU SAMONOSNOU BRÁNU
- (RO) CĂRUCIOR PE OPT ROTI PENTRU POARTA AUTOPORTANTĂ ÎN CONSOLĂ
- (HR) NOSAČ S OSAM KOTAČA ZA KLIZNA DVORIŠNA VRATA
- (RUS) ВОСЬМИКОЛЕСНАЯ РОЛИКОВАЯ ТЕЛЕЖКА ДЛЯ ОТКАТНЫХ САМОНЕСУЩИХ ВОРОТ
- (SLO) VOZIČEK Z OSMIMI KOLESI ZA SAMONOSNA DRSNA VRATA
- (TR) KONSOL BAHÇE KAPISI İÇİN SEKİZ TEKERLEKLİ TAŞIYICI
- (AR) عربة مزودة بشعبي عدلات اللولبات المدعمة
- (CHN) 悬臂门八轮滑架
- (MAL) PENYORONG LAPAN RODA UNTUK PINTU PAGAR JULUR
- (H) NYOLCGÖRGÖS FUTÓKOCSI TOLÓKAPUHOZ
- (IL) קרונית שמונה גלגלים לשער קמולוי
- (BG) КОЛИЧКА С ОСЕМ РОЛКИ ЗА КОНЗОЛНА ВРАТА
- (KO) 8개 휠이 있는 캔틸레버 게이트용 이송대
- (SRB) NOSAČ SA OSAM TOČKIČA ZA SAMONOSIVU KAPIJU

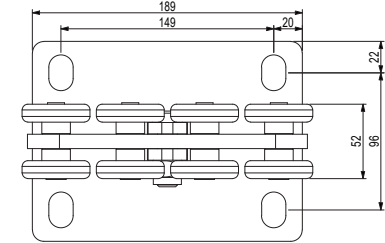
Art.	A	GUIDE	1pc			CODE
	max. mm			pcs	kg	
SPEED SK	4500	STAGE SB/SZ	4,7	2	9,4	1700189



-  C 2 HIGH QUALITY BEARINGS
-  CARRIAGES CENTER HOLES MILLED NOT LASER CUT
-  MULTI RIVETED SECTIONS
- mono block** MONO BLOCK EIGHT WHEELED CARRIAGE



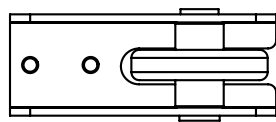
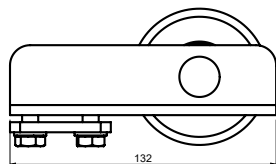
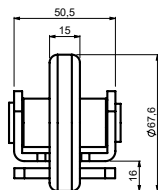
NEW



- (GB) EIGHT WHEELED CARRIAGE FOR CANTILEVER GATE
- (D) ROLLAPPARAT MIT ACHT ROLLEN FÜR FREITRAGENDE SCHIEBETÖRE
- (F) CHARIOT À HUIT ROUES POUR PORTAIL AUTOPORTANT
- (E) CARRIL DE OCHO RUEDAS PARA PUERTA VOLADIZA
- (P) CORREDIÇA DE OITO ROLDANAS PARA PORTÃO CANTILEVER
- (I) CARRELLO A OTTO RUOTE PER CANCELLO AUTOPORTANTE
- (DK) OTTE TRANSPORTHJUL TIL FRITTBÆRENDE PORT
- (NL) ACHTVOUDIG WIELENBLOK VOOR VRIJDRAGENDE SCHUIFPOORT
- (N) ATTEHJULS DRIVSKINNE TIL FRITTBÆRENDE PORT
- (S) ATTAHJULIG VAGN FÖR FRIBÄRANDE GRIND
- (FIN) KAHDEKSAN PYÖRÄN ALUSTA ULOKEKANNETTEISEEN PORTTIIN
- (PL) WÓZEK 8-ROLKOWY DO BRAM SAMONOŚNYCH
- (SK) VOZÍK OSEM KOLIEČKOVÝ PRE POSUVNÚ SAMONOSNÚ BRÁNU
- (EE) KAHEKSARATTALINE SUPORT KONSOLVÄRAVA JAOKS
- (LT) VEŽIMĖLIS GEMBINIAMS VARTAMS SU AŠTUONIAIS RATUKAIS
- (LV) ASTOŅU RUĻĻU BLOKS KONSOLVEIDA VĀRTIEM

- (CZ) VOZÍK OSMIKOLOVÝ PRO POSUVNOU SAMONOSNOU BRÁNU
- (RO) CĂRUCIOR PE OPT ROTI PENTRU POARTA AUTOPORTANTĂ ÎN CONSOLĂ
- (HR) NOSAČ S OSAM KOTAČA ZA KLIZNA DVORIŠNA VRATA
- (RUS) ВОСЬМИКОЛЕСНАЯ РОЛИКОВАЯ ТЕЛЕЖКА ДЛЯ ОТКАТНЫХ САМОНЕСУЩИХ ВОРОТ
- (SLO) VOZIČEK Z OSMIMI KOLESI ZA SAMONOSNA DRSNA VRATA
- (TR) KONSOL BAHÇE KAPISI İÇİN SEKİZ TEKERLEKLİ TAŞIYICI
- (AR) عربة مزودة بشعبي عدلات اللولبات المدعمة
- (CHN) 悬臂门八轮滑架
- (MAL) PENYORONG LAPAN RODA UNTUK PINTU PAGAR JULUR
- (H) NYOLCGÖRGÖS FUTÓKOCSI TOLÓKAPUHOZ
- (IL) קרונית שמונה גלגלים לשער קמולוי
- (BG) КОЛИЧКА С ОСЕМ РОЛКИ ЗА КОНЗОЛНА ВРАТА
- (KO) 8개 휠이 있는 캔틸레버 게이트용 이송대
- (SRB) NOSAČ SA OSAM TOČKIČA ZA SAMONOSIVU KAPIJU

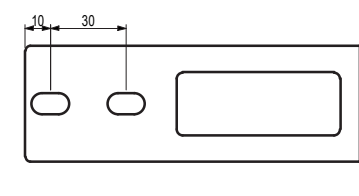
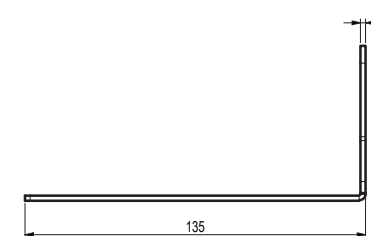
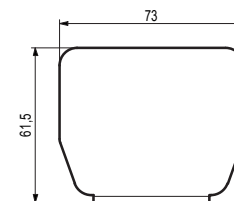
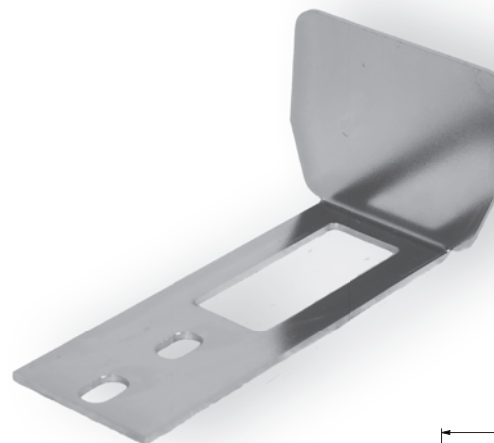
Art.	A	GUIDE	1pc			CODE
	max. mm			pcs	kg	
SPEED S - LOWCUT	4000	STAGE SB/SZ	4,1	2	8,2	1700395



- (GB) GUIDE SUPPORT WHEEL FOR CANTILEVER GATE
 (D) STÜTZRAD FÜR FREITRAGENDE SCHIEBETORE
 (F) ROUE DE SUPPORT DE GUIDE POUR PORTAIL AUTOPORTANT
 (E) RUEDA CON SOPORTE DE GUÍA PARA PUERTA VOLADIZA
 (P) ROLDANA DE SUPORTE GUIA PARA PORTÃO CANTILEVER
 (I) RUOTA DI SOSTEGNO DELLA GUIDA PER CANCELLO AUTOPORTANTE
 (DK) VANGESTØTTEHJUL TIL FRITBÆRENDE PORT
 (NL) DRAAGWIEL VOOR GELEIDING VRIJDRAGENDE SCHUIFPOORT
 (N) STYRESKINNE FOR STØTTEHJUL TIL FRITBÆRENDE PORT
 (S) STÖDHJUL FÖR FRIBÄRANDE GRIND
 (FIN) OHJAIMEN TUKIPYÖRÄ ULKEKANNETTEISEEN PORTTIIN
 (PL) ROLKA NAJAZDOWA DO BRAM SAMONOŚNYCH
 (SK) NÁBEH S KLDKOU PRE POSUVNÚ SAMONOSNÚ BRÁNU
 (EE) JUHI TUGIRATAS KONSOOLVÄRAVA JAOKS
 (LT) KREIPTUVO ATRAMOS RATUKAS GEMBINIAMS VARTAMS
 (LV) VADOTNES BALSTA RULLĪTIS KONSOLVEIDA VĀRTIEM

- (CZ) NÁBĚH S KLDKOU PRO POSUVNOU SAMONOSNOU BRÁNU
 (RO) ROATĂ DE SUSȚINERE GHIDAJ PENTRU POARTA AUTOPORTANTĂ ÎN CONSOLĂ
 (HR) NOSIVI KOTAČ VODILICE ZA KLIZNA DVORIŠNA VRATA
 (RUS) КОНЦЕВОЙ РОЛИК ДЛЯ ОТКАТНЫХ САМОНЕСУЩИХ ВОРОТ
 (SLO) PODPORNO KOLO VODILA ZA SAMONOSNA DRŠNA VRATA
 (TR) KONSOL BAHÇE KAPISI İÇİN KIZAK DESTEK TEKERLEĞİ
 (AR) عجلة دعمية للبوابة المعلقة
 (CHN) 悬臂门导轨支轮
 (MAL) RODA SOKONGAN PANDU UNTUK PINTU PAGAR JULUR
 (H) VEZETŐ, MEGTÁMASZTÓ GÖRGŐ TOLÓKAPUHOZ
 (IL) גלגל תומך לשיער קונזולי
 (BG) РОЛКА ЗА РЕЛСА ЗА КОНЗОЛНА ВРАТА
 (KO) 캔틸레버 게이트용 가이드 지지 휠
 (SRB) NOSEĆI TOČKIĆ VODICE ZA SAMONOSIVU KAPIJU

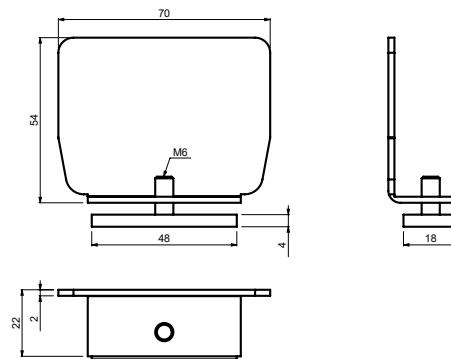
Art.	GUIDE	1pc			CODE
		kg	pcs	kg	
RUN S	STAGE SB/SZ	0,97	10	9,7	1700004



- (GB) END CAP WITH BOTTOM PLATE FOR CANTILEVER S GUIDE WHEEL
 (D) ENDKAPPE MIT BODENPLATTE FÜR CANTILEVER S-FÜHRUNGSRAD
 (F) CACHE D'EXTRÉMITÉ AVEC PLATINE BASSE POUR ROULETTE DE GUIDAGE PORTE-À-FAUX S
 (E) TAPA FINAL CON PLACA INFERIOR PARA RUEDA GUÍA EN VOLADIZO S
 (P) TAMPA DE EXTREMIDADE COM PLACA INFERIOR PARA RODA GUIA CANTILEVER S
 (I) CAPPUCIO TERMINALE CON PIASTRA INFERIORE PER RUOTA DI GUIDA CANTILEVER S
 (DK) ENDEKAPPE MED BUNNPLADE TIL S-STYREHJUL TIL UDKRAGNING
 (NL) AFDEKKAP MET BODEMPLAAT VOOR LEIWIJEL VAN CANTILEVER S
 (N) ENDEKAPPE MED BUNNPLATE FOR S-FORMET STYREHJUL TIL UTLIGGER
 (S) ÄNDKAPA MED BOTTENPLATTA FÖR KONSOL S-STYRHJUL
 (FIN) PÄÄTYKAPPALE JA POHJALEVY ULKEKALKIN S-OHJASPYÖRÄÄ VARTEN
 (PL) ZAŚLEPKA Z DOLNĄ PŁYTKĄ DO KOLA PROWADZĄCEGO SYSTEMÓW WSPORNIKOWYCH TYPU S
 (SK) SPODNÁ KONCOVÁ PĀTICA VODIACEHO KOLIESKA SAMONOSNEJ POSUVNEJ BRÁNY S
 (EE) ALUSPLAADIGA OTSAKORK TIBVÄRAVA S JUHTRATTALE
 (LT) GALINIS DANGTELIS SU APATINE PLOKŠTELE, SKIRTAS KONSOLINIŲ VARTŲ S KREIPIAMAJAM RATUKUI
 (LV) GALA UZGALIS AR APAKŠĒJO PLĀKŠNI ZOBSTIENĀ S VIRZOŠAJAM RITENIM

- (CZ) ZÁSLEPKA POR ŠINU „C“ PROFIL, PRO RUN S
 (RO) CAPAC DE ÎNCHIDERE CU PLACĂ INFERIOARĂ PENTRU ROATĂ DE GHIDARE CANTILEVER S
 (HR) ZAVRŠNI ČEP S DONJOM PLOČOM ZA KOTAČ VODILICE CANTILEVER S
 (RUS) ТОРЦЕВАЯ ПЛАНКА С НИЖНЕЙ ПЛАСТИНОЙ ДЛЯ НАПРАВЛЯЮЩЕГО КОЛЕСА САМОНЕСУЩИХ ОТКАТНЫХ ВОРОТ S
 (SLO) POKROV S SPODNJO PLOŠČO ZA VODILNO KOLESCE ZA SISTEM CANTILEVER S
 (TR) KONSOL KIRIŞ S KILAVUZ TEKERLEĞİ İÇİN ALT PLAKALI UÇ KAPAĞI
 (AR) غطاء طرفي مع لوحة سفلية لعجلة التوجيه حرف S للبوابة الكابولية
 (CHN) 用于悬臂梁S导向轮的带底板端盖
 (MAL) TUKUP Hujung dengan Plat Bawah untuk Roda Pandu Julur S
 (H) VÉGZÁRÓ TALPLEMEZZEL S ÚSZÓKAPU VEZETŐKERÉKHEZ
 (IL) עבור שיער קונזולי S כיוסי קצה עם פלטה תחתונה לגלגל מוביל מסוג
 (BG) НАКРАЙНИК С ДОЛНА ПЛОЧА ЗА ВОДЕЩО КОЛЕЛО ЗА КОНЗОЛНИ ВРАТИ S
 (KO) 캔틸레버 S 가이드 휠용 하부 플레이트 일체형 엔드캡
 (SRB) ZAVRŠNI ČEP S DONJOM PLOČOM ZA KOTAČ VODILICE CANTILEVER S

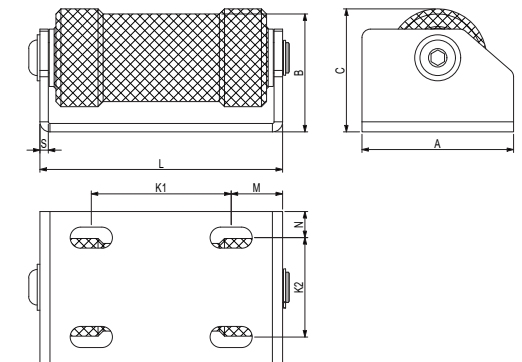
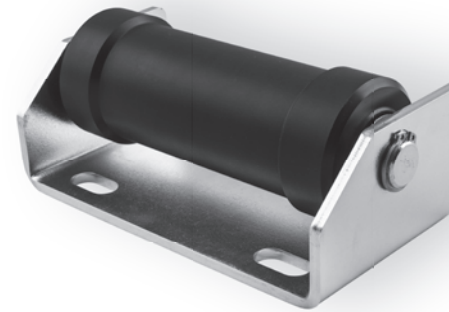
Art.	GUIDE	1pc			CODE
		kg	pcs	kg	
PILOT SR	STAGE SB/SZ	0,14	10	1,4	1700404



- (GB) GUIDE END CAP WITH SCREW, INDEPENDENT
 (D) ABSCHLUSSKAPPE FÜR „C“ PROFIL AUS STAHL MIT SCHRAUBE
 (F) CACHE D'EMBOUIT DE GUIDE AVEC VIS, INDÉPENDANT
 (E) TOPE FINAL DE GUÍA CON TUERCA, INDEPENDIENTE
 (P) TAMPA FINAL GUIA COM PARAFUSO, INDEPENDENTE
 (I) COPERTURA TERMINALE DELLA GUIDA CON VITE, INDIPENDENTE
 (DK) VANGEENDEHÆTTE MED SKRUE, UAFHÆNGIG
 (NL) GELEIDER EINDKAP MET SCHROEF, ONAFHANKELIJK
 (N) ENDEBESLAG FOR SKINNE MED SKRUE, UAFHÆNGIG
 (S) GEJLD SKYDDSKÅPA MED SKRUV, OBEROENDE
 (FIN) OHJAIMEN PÄÄN RUUVILLINEN KANSI, ERILLINEN
 (PL) ZAŚLEPKA KOŃCOWA SZYNY ZE ŚRUBĄ, NIEZALEŻNA
 (SK) ZÁSLEPKA PRE NOSNÝ „C“ PROFIL, NEZÁVISLÁ SO SKRUTKOU
 (EE) JUHIKU OTSAKORK KRUVIGA, ERALDI
 (LT) GALINIS KREIPTUVO DANGTELIS SU SRIEGIU, ATSKIRAS
 (LV) VADOTNES GALA VĀKS AR SKRŪVI, NEATKARĪGS

- (CZ) ZÁSLEPKA PRO ŠINU „C“ PROFIL, NEZÁVISLÁ SE ŠROUBEM
 (RO) OPRITOR CURSĂ ACOPERIRE GHIDAJ CU FILET, INDEPENDENT
 (HR) ČEP VODILICE S VIJKOM, NEOVISAN
 (RUS) ЗАГЛУШКА НАПРАВЛЯЮЩЕГО РЕЛЬСА «С», НЕЗАВИСИМАЯ, С ВИНТОМ
 (SLO) ZAKLJUČNI POKROV VODILA Z VIJAKOM, NEODVISEN
 (TR) VİDALI KIZAK UÇ LASTIĞI, BAĞIMSIZ
 (AR) غطاء طرفي دليلي مع برغي، مستقل
 (CHN) 导轨独立式螺钉紧固端盖
 (MAL) PENUTUP Hujung Pandu Dengan Skru, Bebas
 (H) VEZETŐSÍN LEZÁRÓ-ELEM CSAVARRAL, FÜGGETLEN
 (IL) מכסה קצה קורה קונדוליט עם בורג, עצמאי
 (BG) КРАЙНА КАПАНКА ЗА РЕЛСА С ВИНТ, САМОСТОЯТЕЛНА
 (KO) 나사가 있는 가이드 종단 캡, 독립식
 (SRB) ČEP VODICE SA ZAVRTNEM, NEZAVISAN

Art.	GUIDE	1pc			CODE
		kg	pcs	kg	
PILOT SN	STAGE SB/SZ	0,1	10	1	1700007

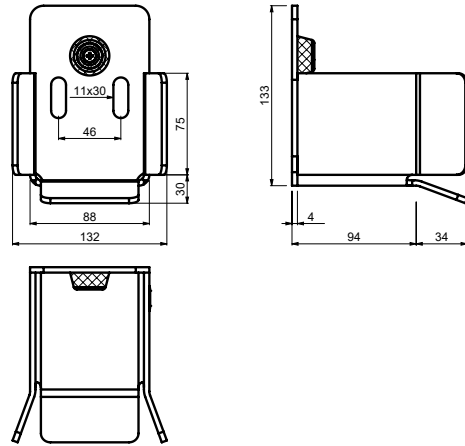
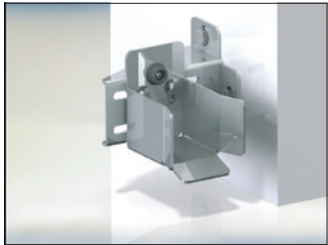


- (GB) SUPPORT ROLLER FOR CANTILEVER GATE
 (D) STÜTZROLLE FÜR AUSLEGERTOR
 (F) ROULEAU DE SUPPORT POUR PORTAIL COULISSANT AUTOPORTANT
 (E) RODILLO DE SOPORTE PARA PORTÓN EN VOLADIZO
 (P) ROLO DE SUPORTE PARA PORTÃO DE CANTILEVER
 (I) RULLO DI SOSTEGNO PER CANCELLO AUTOPORTANTE
 (DK) STØTTERULLE TIL FRITBÆRENDE PORT
 (NL) STEUNROL VOOR SCHUIFPOORT
 (N) STØTTERULLE FOR RULLEPORT
 (S) STÖDRULLE FÖR FRIBÄRANDE GRIND
 (FIN) TUKIRULLA ULOKEPORTTIIN
 (PL) RÓLKA DOLNA DO BRAMY SAMONOŠNEJ
 (SK) PODPORNÝ VALEC PRE SAMONOSNÉ BRÁNY
 (EE) TUGIRULLIK KONSOOLVÄRAVA JAOKS
 (LT) ATRAMINIS RITINĖLIS GEMBINIAMS VARTAMS
 (LV) BALSTA RULLĪTIS KONSOLVEIDA VĀRTIEM

- (CZ) KONZOLA S KLDKOU PRO PODPĚRU POSUVNÉ SAMONOSNÉ BRÁNY
 (RO) ROLĂ DE SUSȚINERE PENTRU POARTA ÎN CONSOLĂ
 (HR) POTPORNİ VALJAK ZA NOSIVA VRATA
 (RUS) ОПОРНЫЙ РОЛИК ДЛЯ САМОНЕСУЩИХ ВОРОТ
 (SLO) PODPORNİ VALJ ZA SAMONOSNA DRŠNA VRATA
 (TR) MANİVELA KAPİ İÇİN DESTEK MAKARASI
 (AR) المسطوانة الداعمة لوابية الكابول
 (CHN) 悬臂门支承辊
 (MAL) PENGGELEK SOKONGAN UNTUK GET JULUR
 (H) TARTÓGÖRGŐ TOLÓKAPUHOZ
 (IL) גלגל תמיכה לשער קנדוליט
 (BG) ПОДДЪРЖАЩА РОЛКА ЗА КОНЗОЛНА ВРАТА
 (KO) 캔틸레버 게이트용 지지 롤러
 (SRB) NOSEĆI VALJAK ZA SAMONOSIVU KAPIJU

Art.	L	A	B	C	J	K1	K2	M	N	S	1pc			CODE	
											kg	pcs	kg		
													mm		
DRIVESHAFT 80	144	90	70	73	13x25	107	60	31	15	5	1,37	4	5,48	1700332	
DRIVESHAFT 100	169	90	70	73	13x25	107	60	31	15	5	1,56	4	6,24	1700333	

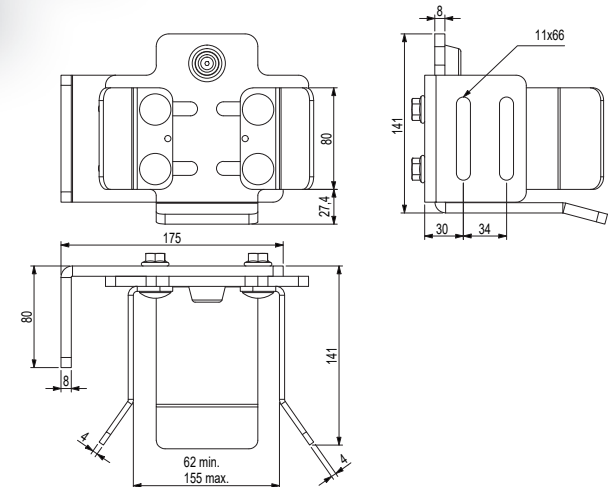
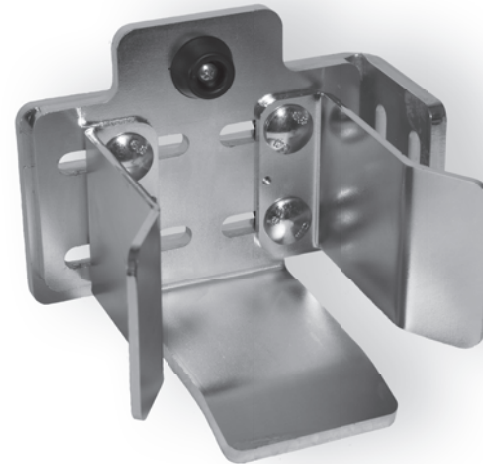




- (GB) END STOP FOR CANTILEVER GATE
- (D) EINLAUFSCHUH FÜR FREITRAGENDE SCHIEBETORE
- (F) BUTÉE POUR PORTAIL AUTOPORTANT
- (E) TOPE FINAL PARA PUERTA VOLADIZA
- (P) BATERIA PARA PORTÃO CANTILEVER
- (I) FERMO DI FINE CORSA PER CANCELLO AUTOPORTANTE
- (DK) ENDESTOP TIL FRITTBÆRENDE PORT
- (NL) EINDSTOP VOOR VRIJDRAGENDE SCHUIFPOOR
- (N) ENDESTOPPER FOR FRITTBÆRENDE PORT
- (S) ÄNDSTOPP FÖR FRIBÄRENDE GRIND
- (FIN) PÄÄTYPYSÄYTIN ULOKEKANNETIEISEEN PORTTIIN
- (PL) ODBOJNIK DO BRAM SAMONOŚNYCH
- (SK) DOJAZDOVÁ KAPSA SPODNÁ PRE POSUVNÚ SAMONOSNÚ BRÁNU
- (EE) OTSALOPP KONSOLVÄRAVA JAOKS
- (LT) GALINIS RIBOKLIS GEMBINIAMS VARTAMS
- (LV) GALA AIZTURIS KONSOLVEIDA VĀRTIEM

- (CZ) DOJAZDOVÁ KAPSA SPODNÍ PRO POSUVNOU SAMONOSNOU BRÁNU
- (RO) OPRITOR CURSĂ PENTRU POARTA AUTOPORTANTĂ ÎN CONSOLĂ
- (HR) GRANIČNIK ZA KLIZNA DVORIŠNA VRATA
- (RUS) УЛАВЛИВАТЕЛЬ НИЖНИЙ ДЛЯ ОТКАТНЫХ САМОНЕСУЩИХ ВОРОТ
- (SLO) ZAUSTAVLJALNIK ZA SAMONOSNA DRŠNA VRATA
- (TR) KONSOL BAĖÇE KAPISI İÇİN UÇ TESPİT PARÇASI
- (AR) المدع الطرفي للبوابة المتحركة
- (CHN) 悬臂门终点挡块
- (MAL) PENYENDAL Hujung Untuk Pintu Pagar Julur
- (H) ŰTKÖZŐ TOLÓKAPUHOZ
- (IL) מקבל קצה לשער קונדולי
- (BG) СТОПЕР ЗА КОНЗОЛНА ВРАТА
- (KO) 캔틸레버 게이트용 중단 정지대
- (SRB) GRANIČNIK ZA SAMONOSIVU KAPIJU

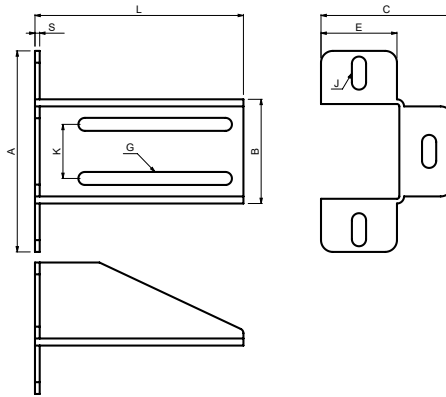
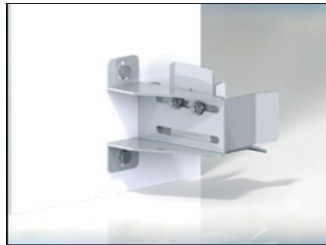
Art.	GUIDE	1pc		CODE
		kg	pcs	
LAST S	STAGE SB/SZ	1,24	2	1700005



- (GB) ADJUSTABLE ALIGNMENT END STOP FOR CANTILEVER HARDWARE
- (D) VERSTELBARERAUSRICHTUNGSENDANSCHLAG FÜR CANTILEVER BESCHLÄGE
- (F) BUTÉE D'ALIGNEMENT RÉGLABLE POUR MODÈLE PORTE-À-FAUX
- (E) TOPE FINAL DE ALINEACIÓN AJUSTABLE PARA HERRAJES EN VOLADIZO
- (P) BATERIA FINAL DE ALINHAMENTO AJUSTÁVEL PARA FERRAGENS CANTILEVER
- (I) FERMO DI FINE CORSA REGOLABILE PER FERRAMENTA CANTILEVER
- (DK) JUSTERBART ENDESTOP TIL BESLAG TIL UDKRAGNING
- (NL) VERSTELBARE EINDSTOP VOOR CANTILEVER HARDWARE
- (N) JUSTERBART ENDESTOPP FOR BESLAG TIL UTLLIGGER
- (S) JUSTERBART ÄNDSTOPP FÖR BESLAG KONSOL M-MAX
- (FIN) KOHDISTUKSELTAAN SÄÄDETTÄVÄ PÄÄTYPYSÄYTIN ULOKEPALKIN LAITTEISTOA VARTEN
- (PL) REGULOWANY OGRANICZNIK KOŃCOWY DO WYRÓWNIANIA ELEMENTÓW SYSTEMÓW WSPORNIKOWYCH TYPU
- (SK) NASTAVITELNÝ KONCOVÝ DORAZ KOVANIA SAMONOSNEJ POSUVNEJ BRÁNY
- (EE) REGULEERITAV OTSAKORK TIIBVÄRAVALE
- (LT) REGULIUJAMAS IŠLYGIAVIMO GALINIS RIBOTUVAS, SKIRTAS KONSOLINIŲ VARTŲ ĮRANGAI
- (LV) REGULĒJAMS IZLĪDZINĀŠANAS GALAPUNKTS ZOBSTIEŅĀ APARATŪRAI

- (CZ) NASTAVITELNÝ KONCOVÝ DORAZ PRO KONSOLOVÉ KOVÁNÍ
- (RO) OPRITOR DE ALINIERE REGLABIL PENTRU FERONERIE CANTILEVER
- (HR) PODESIVI GRANIČNIK ZA PORAVNANJE ZA OKOV CANTILEVER
- (RUS) РЕГУЛИРУЕМЫЙ ВЫРАВНИВАЮЩИЙ КОНЦЕВОЙ УПОР ДЛЯ ФУРНИТУРЫ САМОНЕСУЩИХ ОТКАТНЫХ ВОРОТ
- (SLO) NASTAVLJIVI PORAVNALNI KONČNI OMEJEVALNIK ZA OKOVJE CANTILEVER
- (TR) KONSOL KIRIŞ S DONANIMI İÇİN AYARLANABİLİR HIZALAMA UÇ DURDURUCU
- (AR) معدن المحاذاة الطرفي القابل للضبط للتهيئة حرف S للبوابة الكابولية
- (CHN) 用于悬臂梁S五金件的可调式定位端部止动器
- (MAL) ADANG Hujung PENAJARAN BOLEH LARAS UNTUK PERKAKASAN JULUR
- (H) ÁLLÍTHATÓ ŰTKÖZŐ AZ ŰSZÖKAPU VASALATHOZ
- (IL) מעצור קצה מתכוונן לישר עבור רכיבי שער קונדולי מסוג
- (BG) РЕГУЛИРУЕМ КРАЕН ОГРАНИЧИТЕЛ ЗА ОБКОВ ЗА КОНЗОЛНИ ВРАТИ
- (KO) 캔틸레버 S 하드웨어용 조절식 정렬 엔드 스톱
- (SRB) PODESIVI GRANIČNIK ZA PORAVNANJE ZA OKOV CANTILEVER

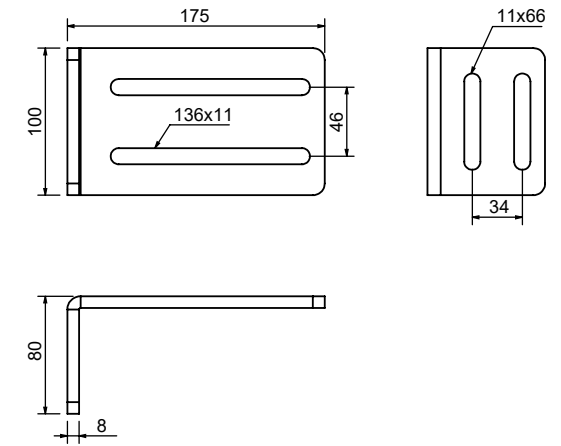
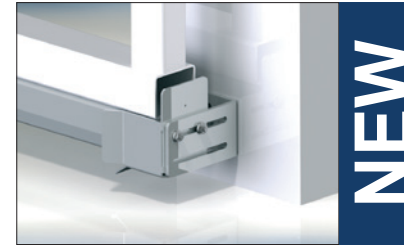
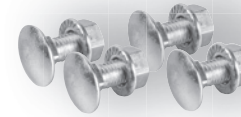
Art.	GUIDE	1pc		CODE
		kg	pcs	
LAST SMK	STAGE SB/SZ/MB/MZ	3,75	1	1700398



- (GB) END STOP BRACKET
- (D) KONSOLE FÜR EINLAUFSCUHH
- (F) ÉTRIER POUR BUTÉE
- (E) SOPORTE DE TOPE FINAL
- (P) SUPORTE DE BATENTE
- (I) STAFFA PER FERMO DI FINE CORSA
- (DK) ENDESTOP BESLAG
- (NL) EINDSTOP BEVESTIGINGSBEUGEL
- (N) STOPPEBRAKETT
- (S) ÄNDSTOPP KONSOL
- (FIN) PÄÄTYPYSÄYTTIMEN KANNATIN
- (PL) WSPORNIK ODBOJNIKA
- (SK) KONZOLA PRE DOJAZDOVÚ KAPSU
- (EE) OTSALÕPU KLAMBER
- (LT) GALINIO RIBOKLIO GEMBĖ
- (LV) GALA AIZTURA KRONŠTEINS

- (CZ) KONZOLA PRO DOJEZDOVOU KAPSU
- (RO) OPRITOR CURSĂ CONSOLĂ
- (HR) KONZOLA GRANIČNIKA
- (RUS) КРОНШТЕЙН УЛАВЛИВАТЕЛЯ
- (SLO) OPORNIK ZAUSTAVLJALNIKA
- (TR) UÇ TESPİT PARÇASI DİRSEĞİ
- (AR) سنادة الحاج الطرفي
- (CHN) 终点挡块支座
- (MAL) PENDAKAP PENYENDAL HUJUNG
- (H) ÜTKÖZŐ-KERET
- (IL) תופסן למקביל קצה
- (BG) СКОБА ЗА СТОПЕР
- (KO) 종단 정지대 브래킷
- (SRB) KONZOLA GRANIČNIKA

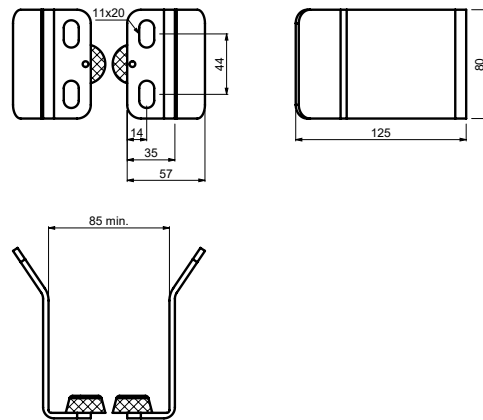
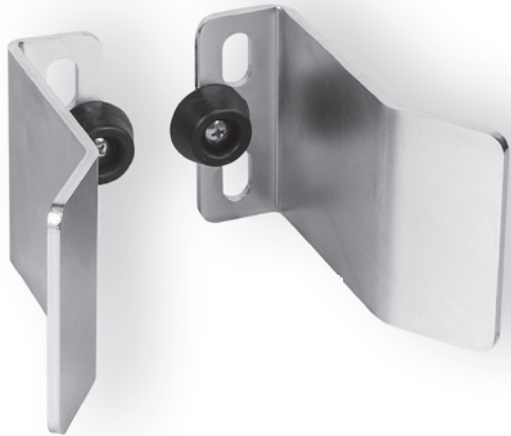
Art.	L	A	B	C	E	G	J	K	S	END STOP	1pc	📦			CODE	
												kg	pcs	kg		
mm													kg	pcs	kg	
PARK	175	170	88	95	50	11X132	12X30	46	4	LAST/PADDOCK	1,11	2	2,22	1700006		
PARK 240	245	170	88	95	50	11X200	12X30	46	4	LAST/PADDOCK	1,35	2	2,7	1700196		



- (GB) END STOP BRACKET
- (D) KONSOLE FÜR EINLAUFSCUHH
- (F) ÉTRIER POUR BUTÉE
- (E) SOPORTE DE TOPE FINAL
- (P) SUPORTE DE BATENTE
- (I) STAFFA PER FERMO DI FINE CORSA
- (DK) ENDESTOP BESLAG
- (NL) EINDSTOP BEVESTIGINGSBEUGEL
- (N) STOPPEBRAKETT
- (S) ÄNDSTOPP KONSOL
- (FIN) PÄÄTYPYSÄYTTIMEN KANNATIN
- (PL) WSPORNIK ODBOJNIKA
- (SK) KONZOLA PRE DOJAZDOVÚ KAPSU
- (EE) OTSALÕPU KLAMBER
- (LT) GALINIO RIBOKLIO GEMBĖ
- (LV) GALA AIZTURA KRONŠTEINS

- (CZ) KONZOLA PRO DOJEZDOVOU KAPSU
- (RO) OPRITOR CURSĂ CONSOLĂ
- (HR) KONZOLA GRANIČNIKA
- (RUS) КРОНШТЕЙН УЛАВЛИВАТЕЛЯ
- (SLO) OPORNIK ZAUSTAVLJALNIKA
- (TR) UÇ TESPİT PARÇASI DİRSEĞİ
- (AR) سنادة الحاج الطرفي
- (CHN) 终点挡块支座
- (MAL) PENDAKAP PENYENDAL HUJUNG
- (H) ÜTKÖZŐ-KERET
- (IL) תופסן למקביל קצה
- (BG) СКОБА ЗА СТОПЕР
- (KO) 종단 정지대 브래킷
- (SRB) KONZOLA GRANIČNIKA

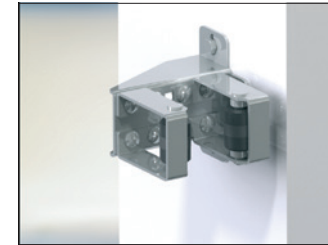
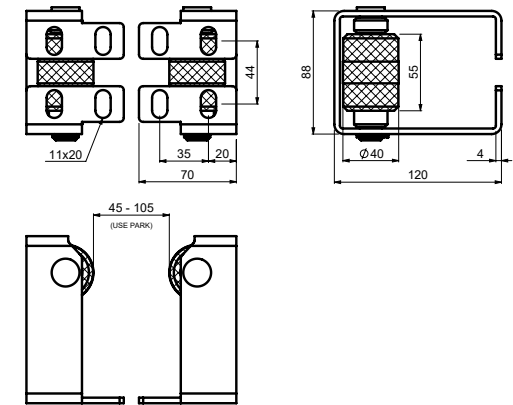
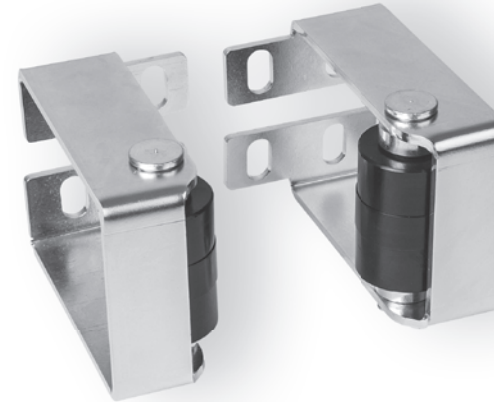
Art.	BRACKET	1pc	📦		CODE
			kg	pcs	
		kg	pcs	kg	
PARK CSM	LAST/PADDOCK	1,36	2	2,72	1700359
PARK CSM 240	LAST/PADDOCK	1,72	2	3,44	1700399



- (GB) END STOP
- (D) ENDANSCHLAG
- (F) BUTÉE
- (E) TOPE FINAL
- (P) FIM DE CORSO
- (I) ARRESTO TERMINALE
- (DK) ENDESTOP
- (NL) EINDSTOP
- (N) ENDESTOPP
- (S) ÄNDSTOPP
- (FIN) RAJOITIN
- (PL) ZDERZAK KRAŃCOWY
- (SK) DORAZ
- (EE) OTSA LÕPPR
- (LT) GALINIS RIBOKLIS
- (LV) GALA AIZTURIS

- (CZ) KONCOVÝ DORAZ
- (RO) OPRITOR FINAL
- (HR) GRANIČNIK
- (RUS) КОНЦЕВОЙ УПОР
- (SLO) KONČNI ELEMENT
- (TR) UÇ TIPASI
- (AR) نقطة التوقف
- (CHN) 限位挡块
- (MAL) ADANG Hujung
- (H) VÉGÜTKÖZŐ
- (IL) מקבל קצה
- (BG) СТОПЕР
- (KO) 종단 장치대
- (SRB) GRANIČNIK

Art.	BRACKET	1pc		CODE
		kg	pcs	
PADDOCK SM	PARK/PARK 240/ PARK CSM	0,78	2	1700194



- (GB) END STOP WITH ROLLER
- (D) ENDANSCHLAG MIT ROLLE
- (F) BUTÉE AVEC ROULEAU
- (E) TOPE FINAL CON RODILLO
- (P) FIM DE CORSO COM ROLO
- (I) ARRESTO TERMINALE CON RULLO
- (DK) ENDESTOP MED VALSE
- (NL) EINDSTOP MET ROLLEN
- (N) ENDESTOPP MED RULLE
- (S) ÄNDSTOPP MED RULLE
- (FIN) RAJOITIN RULLALLA
- (PL) ZDERZAK KRAŃCOWY Z ROLKĄ
- (SK) DORAZ S VALČEKOM
- (EE) OTSALÕPP RULLIKUGA
- (LT) GALINIS RIBOKLIS SU RITINĖLIU
- (LV) GALA AIZTURIS AR RULLĪTI

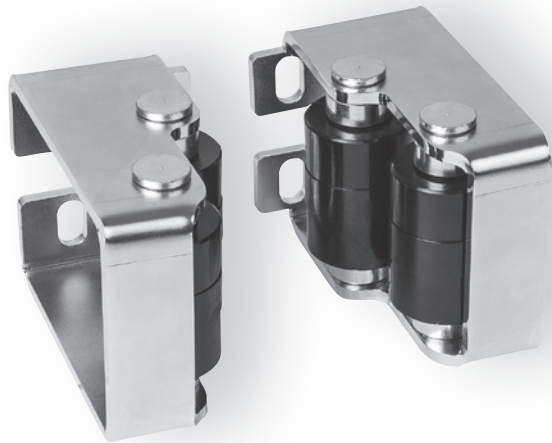
- (CZ) KONCOVÝ DORAZ S KLADKOU
- (RO) OPRITOR FINAL CU ROLĂ
- (HR) GRANIČNIK S VALJKOM
- (RUS) КОНЦЕВОЙ УПОР С РОЛИКОМ
- (SLO) KONČNI ELEMENT S KOLESCEM
- (TR) MAKARALI UÇ TIPASI
- (AR) نقطة التوقف المزودة بكرة
- (CHN) 帶轆子的限位挡块
- (MAL) ADANG Hujung DENGAN PENGGELEK
- (H) VÉGÜTKÖZŐ GÖRGŐVEL
- (IL) מקבל מתחנן עם גלגלי ארוקולין
- (BG) СТОПЕР С РОЛКА
- (KO) 롤러가 있는 종단 장치대
- (SRB) GRANIČNIK SA VALJKOM

Art.	BRACKET	1pc		CODE
		kg	pcs	
PADDOCK 2	PARK/PARK 240/ PARK CSM	1,4	2	1700182



CAIS INNOVATION

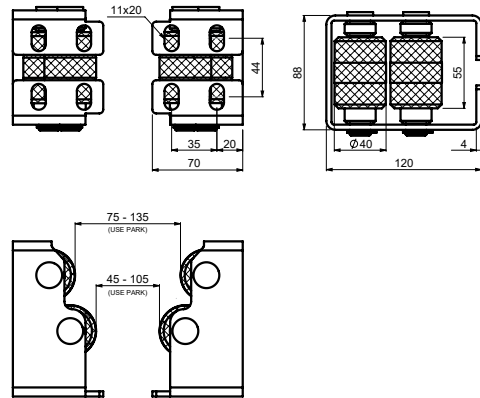
FAIL-SAFE
ROLLER MECHANISM



CAIS INNOVATION




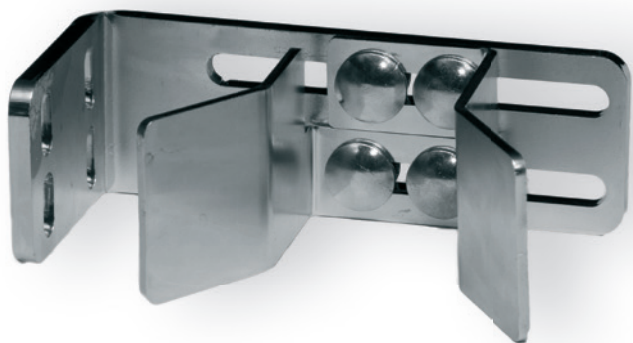
FAIL-SAFE ROLLER MECHANISM



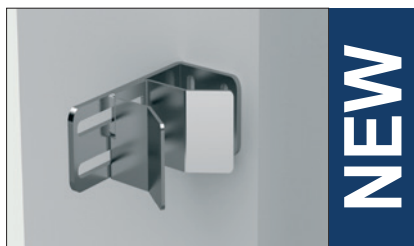
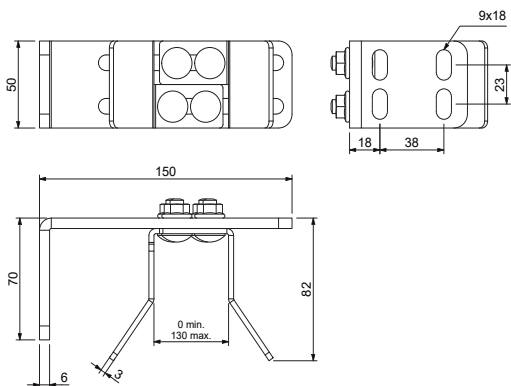
- (GB) END STOP WITH ROLLER
- (D) ENDANSCHLAG MIT ROLLE
- (F) BUTÉE AVEC ROULEAU
- (E) TOPE FINAL CON RODILLO
- (P) FIM DE CURSO COM ROLLO
- (I) ARRESTO TERMINALE CON RULLO
- (DK) ENDESTOP MED VALSE
- (NL) EINDSTOP MET ROLLEN
- (N) ENDESTOPP MED RULLE
- (S) ÄNDSTOPP MED RULLE
- (FIN) RAJOITIN RULLALLA
- (PL) ZDERZAK KRAŃCOWY Z ROLKĄ
- (SK) DORAZ S VALČEKOM
- (EE) OTSALOPP RULLIKUGA
- (LT) GALINIS RIBOKLIS SU RITINĖLIU
- (LV) GALA AIZTURIS AR RULLĪTI

- (CZ) KONCOVÝ DORAZ S KLADKOU
- (RO) OPRITOR FINAL CU ROLĂ
- (HR) GRANIČNIK S VALJKOM
- (RU) КОНЦЕВОЙ УПОР С РОЛИКОМ
- (SLO) KONČNI ELEMENT S KOLESCEM
- (TR) MAKARALI UÇ TIPASI
- (AR) نقطة التوقف المزودة ببنكره
- (CHN) 帶轆子的限位擋塊
- (MAL) ADANG Hujung Dengan Penggelek
- (H) VÉGÜTKÖZŐ GÖRGŐVEL
- (IL) מקבל מתכוונן עם גלגלי אוקולין
- (BG) СТОПЕР С РОЛКА
- (KO) 롤러가 있는 종단 정지대
- (SRB) GRANIČNIK SA VALJKOM

Art.	BRACKET	1pc			CODE
		kg	pc	kg	
PADDOCK 4	PARK/PARK 240/ PACK CSM	2,1	1	2,1	1700191



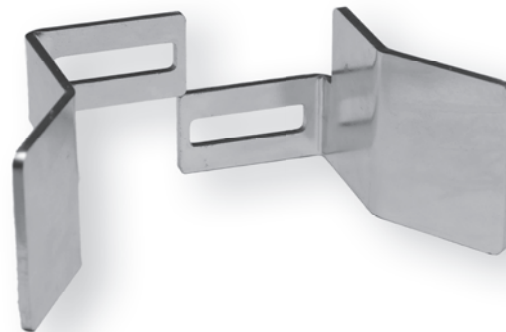
CAIS INNOVATION



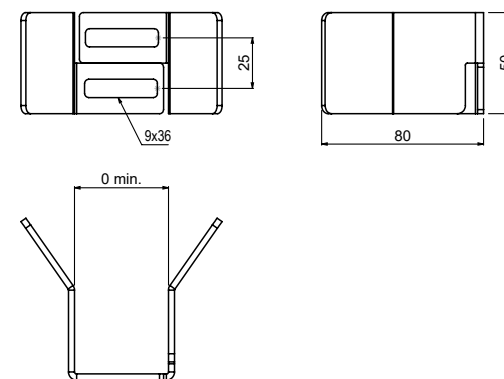
- (GB) ADJUSTABLE END STOP BRACKET
- (D) VERSTELLBARER ENDANSCHLAGWINKEL
- (F) SUPPORT D'EXTRÉMITÉ RÉGLABLE
- (E) TOPE DE DETENCIÓN AJUSTABLE
- (P) SUPORTE DE PARADA AJUSTÁVEL
- (I) STAFFA REGOLABILE DI FINE CORSA
- (DK) JUSTERBART ENDESTOPBESLAG
- (NL) INSTELBARE EINDSTOPBEUGEL
- (N) JUSTERBAR ENDESTOPBRACKET
- (S) JUSTERBAR ÄNDSTOPPSKONSOL
- (FIN) SAÄDETTÄVÄ RAJOITTIMEN KANNATIN
- (PL) KOŃCOWY WSPORNIK Z REGULACJĄ
- (SK) NASTAVITELNÁ KONZOLA KONCOVÉHO DORAZU
- (EE) REGULEERITAVA OTSATÕKESTIGA KANDUR
- (LT) REGULIUOJAMOJI GALINIO RIBOKLIO GEMBĖ
- (LV) REGULĒJAMS KRONŠTEINA VEIDA GALA AIZTURIS

- (CZ) KONCOVÝ DORAZ S KONZOLOU
- (RO) CONSOLĂ REGLABILĂ DE CAPĂT
- (HR) PRILAGODLJIVI NOSAČ GRANIČNIKA
- (RUS) РЕГУЛИРУЕМЫЙ КРОНШТЕЙН КОНЦЕВОГО УПОРА
- (SLO) NASTAVLJIVA ZAUSTAVITVENA ROČICA
- (TR) AYARLANABİLİR UÇ TESPİT BRKETİ
- (AR) كتيفة سداة طرفية قابلة للتعديل
- (CHN) 可调终点挡架
- (MAL) PENDAKAP ADANG HUIJUNG BOLEH LARAS
- (H) ÁLLÍTHATÓ VÉGÜTKÖZŐ KONZOL
- (IL) סוגר עיצירה סופי הניתן לכווון
- (BG) РЕГУЛИРУЕМА КРАЙНА ОГРАНИЧИТЕЛНА СКОБА
- (KO) 조절식 연드 스톱 브래킷
- (SRB) PODESIVI NOSAČ SA GRANIČNIKOM

Art.	1pc		CODE
	kg	pcs	
DOCKER O	0,67	4	1700367



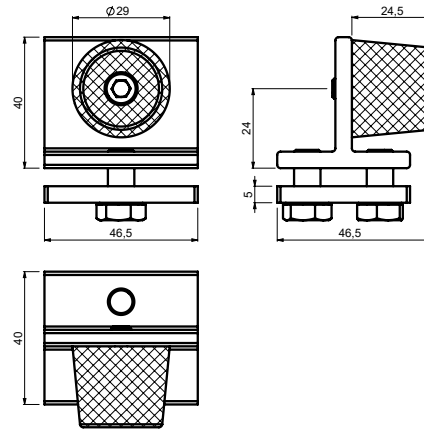
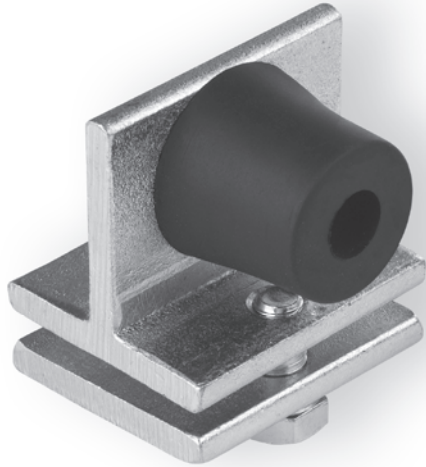
CAIS INNOVATION



- (GB) ADJUSTABLE END STOP
- (D) ENDANSCHLAG
- (F) BUTÉE
- (E) TOPE FINAL
- (P) FIM DE CORSO
- (I) ARRESTO TERMINALE
- (DK) ENDESTOP
- (NL) EINDSTOP
- (N) ENDESTOPP
- (S) ÄNDSTOPP
- (FIN) RAJOITIN
- (PL) ZDERZAK KRAŃCOWY
- (SK) DORAZ
- (EE) OTSA LÕPPR
- (LT) GALINIS RIBOKLIS
- (LV) GALA AIZTURIS

- (CZ) KONCOVÝ DORAZ
- (RO) OPRITOR FINAL
- (HR) GRANIČNIK
- (RUS) КОНЦЕВОЙ УПОР
- (SLO) KONČNI ELEMENT
- (TR) UÇ TIPASI
- (AR) نقطة التوقف
- (CHN) 限位挡块
- (MAL) ADANG HUIJUNG
- (H) VÉGÜTKÖZŐ
- (IL) מקבל קצה
- (BG) СТОПЕР
- (KO) 종단 정지대
- (SRB) GRANIČNIK

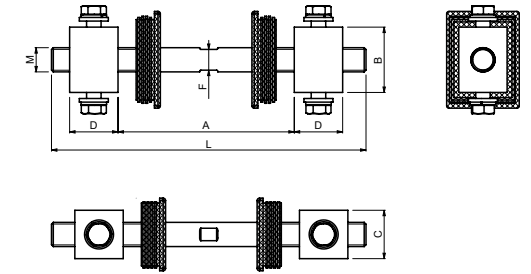
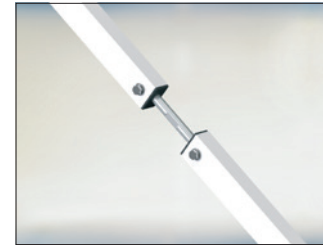
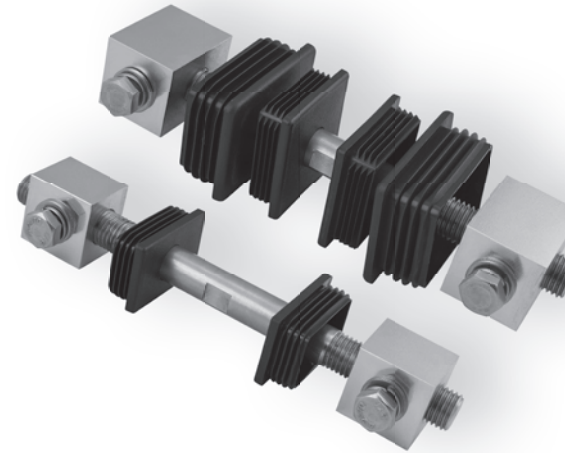
Art.	BRACKET	1pc		CODE
		kg	pcs	
PADOCK O	COLUMN	0,22	10	1700351



- (GB) INTERNAL GUIDE END STOP
- (D) INNENANSCHLAG FÜR „C“ PROFIL
- (F) BUTÉE INTERNE POUR GUIDE
- (E) TOPE FINAL DE GUÍA INTERNA
- (P) BATENTE GUIA INTERNA
- (I) FERMO DI FINE CORSA DELLA GUIDA INTERNA
- (DK) INTERN VANGEENDESTOP
- (NL) INTERNE GELEIDER EINDSTOP
- (N) ENDESTOPPER TIL INNVEDIG SKINNE
- (S) INTERNT GEJÄNDSTOPP
- (FIN) SISÄINEN OHJAIMEN PÄÄN PYSÄYTIN
- (PL) WEWNĘTRZNY ODBOJNIK SZYNY
- (SK) DORAZ VNÚTORNÝ PRE NOSNÝ „C“ PROFIL
- (EE) SISEJUHIKU OTSALOPP
- (LT) VIDINIO KREIPTUVO GALINIS RIBOKLIS
- (LV) IEKŠĒJAIS VADOTNES GALA AIZTURIS

- (CZ) DORAZ VNITŘNÍ PRO ŠINU „C“ PROFIL
- (RO) GHIDAJ CAPĂT FINAL INTERN
- (HR) UNUTARNJI GRANIČNIK VODILICE
- (RUS) ВНУТРЕННИЙ ОГРАНИЧИТЕЛЬ НАПРАВЛЯЮЩЕГО РЕЛЬСА «С»
- (SLO) ZAUSTAVLJALNIK NOTRANJEGA VODILA
- (TR) DAHİLİ KIZAK UÇ TESPİT PARÇASI
- (AR) مقع طرفي لتعليق داخلي
- (CHN) 内导轨终点挡块
- (MAL) PENYENDAL Hujung PANDU DALAM
- (H) VEZETŐSÍN BELSŐ ÜTKÖZŐ
- (IL) מעצור פנימי גומי לקרוה
- (BG) ВЪТРЕШЕН СТОПЕР ЗА РЕЛСА
- (KO) 내부 가이드 종단 정지대
- (SRB) UNUTRAŠNJI GRANIČNIK VOĐICE

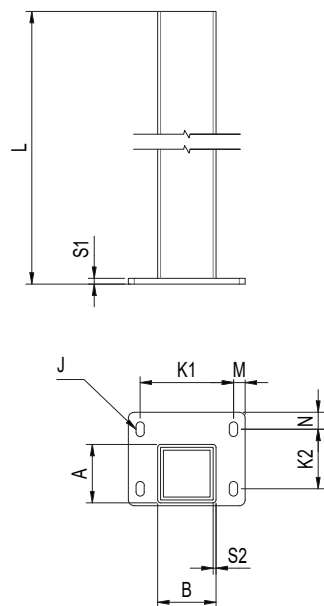
Art.	GUIDE	1pc		CODE
		kg	pcs	
FINISH S	STAGE SB/SZ	0,23	20	1700008



- (GB) ADJUSTABLE TENSION BAR FOR CANTILEVER GATE
- (D) EINSTELLBARE ZUGSTANGE FÜR AUSLEGERTOR
- (F) BARRE DE TENSION RÉGLABLE POUR PORTAIL COULISSANT AUTOPORTANT
- (E) BARRA TENSORA AJUSTABLE PARA PORTÓN EN VOLADIZO
- (P) BARRA DE TENSÃO AJUSTÁVEL PARA PORTÃO CANTILEVER
- (I) TIRANTE DI REGOLAZIONE PER CANCELLO AUTOPORTANTE
- (DK) JUSTERBAR SPÆNDINGSSTANG TIL FRITBÆRENDE PORT
- (NL) VERSTELBARE SPANNINGSBALK VOOR SCHUIFPOORT
- (N) JUSTERBAR STREKKSTANG FOR RULLEPORT
- (S) JUSTERBAR SPÄNNINGSSTÅNG FÖR FRIBÄRANDE GRIND
- (FIN) SÄÄDETTÄVÄ KIRISTYSTANKO ULOKEPORTTIIN
- (PL) REGULOWANA LISTWA NAPINAJĄCA DO BRAMY SAMONOŚNEJ
- (SK) NASTAVITELNÁ ŤAŽNÁ TYČ PRE SAMONOŠNÉ BRÁNY
- (EE) REGULEERITAV PINGUTUSTALA KONSOLVÄRAVA JAOKS
- (LT) REGULIUOJAMA TRAUKĖ GEMBINIAMS VARTAMS
- (LV) REGULĒJAMS STIEPNIS KONSOLVEIDA VĀRTIEM

- (CZ) TENZNÍ TYČ S REGULACÍ PRO POSUVNOU SAMONOSNOU BRÁNU
- (RO) BARĂ DE TENSIUNE REGLABILĂ PENTRU POARTĂ ÎN CONSOLĂ
- (HR) PRILAGODLJIVA STEZNA ŠIPKA ZA NOSIVA VRATA
- (RUS) РЕГУЛИРУЕМЫЙ РАСТЯНУТЫЙ СТЕРЖЕНЬ ДЛЯ САМОНЕСУЩИХ ВОРОТ
- (SLO) NASTAVLJIV NAPENJALNI VZVOD ZA SAMONOSNA DRSNNA VRATA
- (TR) MANİVELA KAPI İÇİN AYARLANABİLİR GERİLİM ÇUBUĞU
- (AR) قضيب الشد القابل للتعديل لوابية الكابول
- (CHN) 可调节悬臂门拉杆
- (MAL) BAR TEGANGAN BOLEH LARAS UNTUK GET JULUR
- (H) ÁLLÍTHATÓ FESZÍTŐRŰD TOLÓKAPUHOZ
- (IL) מוט מתיחה מתכוונן לשיער קונולי
- (BG) РЕГУЛИРУЕМ ОБТЕГАЧ ЗА КОНЗОЛНА ВРАТА
- (KO) 캔틸레버 게이트용 조절식 인장대
- (SRB) PODESIVA ZATEZNA ŠIPKA ZA SAMONOSIVU KAPIJU

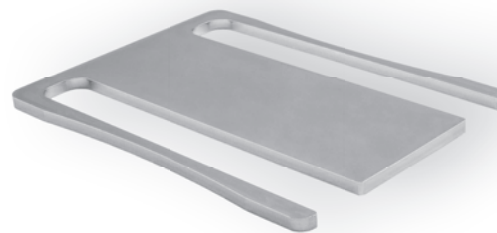
Art.	□	L	A min./max.	B	C	D	M	F	1pc			CODE
									kg	pcs	kg	
mm												
DIAGON 60	60x40	260	125 - 170	34	40	40	M20	17	1,39	2	2,78	1700237
DIAGON 80	80x60/60x60	260	125 - 180	54	40	40	M20	17	1,95	2	3,9	1700238



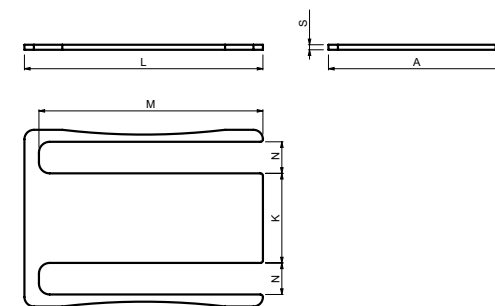
- (GB) STEEL GATE SUPPORT POST
- (D) STAHL-TORPFOSTEN
- (F) POTEAU DE RENFORT POUR PORTAIL ACIER
- (E) POSTE DE ACERO PARA CANCELAS
- (P) PILAR DE SUPORTE DO PORTÃO EM AÇO
- (I) MONTANTE DI SUPPORTO PER CANCELLO IN ACCIAIO
- (DK) STØTTESTOLPE TIL PORT I STÅL
- (NL) STALEN STAANDER
- (N) STØTTESTOLPE FOR PORT I STÅL
- (S) STÖDPOST FÖR STÅLGRIND
- (FIN) TERÄKSINEN PORTIN TUKEPIIVÄS
- (PL) STALOWY SŁUPEK PODTRZYMUJĄCY BRAMĘ
- (SK) OCELOVÝ NOSNÝ STĽP BRÁNY
- (EE) TERASVÄRAVA TUGIPOST
- (LT) PLIENINIS VARTŲ ATRAMINIS STULPELIS
- (LV) TĒRAUDA VĀRTU ATBALSTA STABS

- (CZ) OCELOVÝ PODPĚRNÝ SLOUPEK BRÁNY
- (RO) STĂLP DE SUSȚINERE PENTRU POARTĂ DIN OȚEL
- (HR) ČELIČNI POTPORNI STUP ZA VRATA
- (RUS) СТАЛЬНАЯ ОПОРНАЯ СТОЙКА ДЛЯ ВОРОТ
- (SLO) JEKLENI NOSILNI STEBER ZA VRATA
- (TR) ÇELİK KAPI DESTEK DİRÉĐİ
- (AR) عمود تدعيم البوابة الفولاذي
- (CHN) 铁门支撑柱
- (MAL) TIANG SOKONGAN PAGAR KELULI
- (H) ACÉL KAPUTARTÓ OSZLOP
- (IL) עמוד תומך לשיער מפלדה
- (BG) СТОМАНЕНА ОПОРНА КОЛОНА ЗА ПОРТА
- (KO) 강철 게이트 지지대
- (SRB) ČELIČNI POTPORNI STUP ZA VRATA

Art.	L	A	B	M	N	K1	K2	S1	S2	1pc	CODE		
											kg	pcs	kg
	mm												
TOWER 1.1	1100	100	100	20	29,5	160	101	10	3	12	1	12	1710803
TOWER 1.3	1300	100	100	20	29,5	160	101	10	3	13,5	1	13,5	1710804
TOWER 1.5	1500	100	100	20	29,5	160	101	10	3	15	1	15	1710805
TOWER 1.8	1800	100	100	20	29,5	160	101	10	3	17,5	1	17,5	1710807

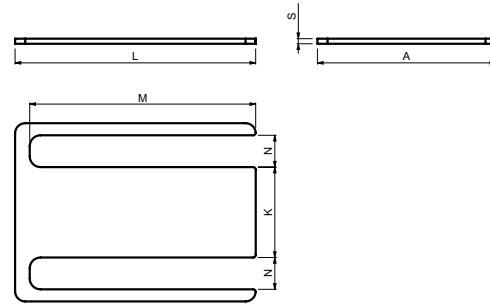
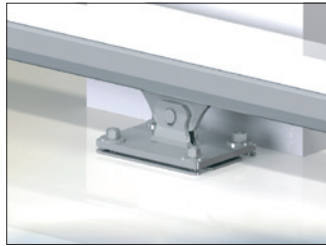
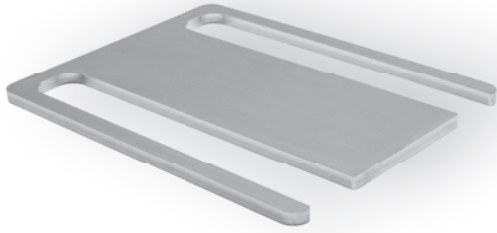


- (GB) WASHER FOR CANTILEVER CARRIAGE
- (D) UNTERLEGSCHIBE FÜR AUSLEGERSCHLITTEN
- (F) RONDELLE POUR CHARIOT CANTILEVER
- (E) TUERCA PARA CARRO EN VOLADIZO
- (P) ARRUELA PARA TRANSPORTE DE CANTILEVER
- (I) RONDELLA PER CARRELLO CANCELLO AUTOPORTANTE
- (DK) SKIVE TIL FRITVÆRENDE PORT
- (NL) RING VOOR SCHUIFWAGEN
- (N) SKIVE FOR RULLEPORTVOGN
- (S) BRICKA FÖR FRIBÄRANDE GRINDVAGN
- (FIN) ALUSLEVY ULOKETELINEESEEN
- (PL) PODKŁADKA DO WÓZKA BRAMY SAMONOŠNEJ
- (SK) PODLOŽKA PRE SAMONOSNÝ NOSNÍK
- (EE) SEIB KONSOOLALUSE JAKS
- (LT) POVERŽLĖ GEMBINIŲ VARTŲ VEŽIMĖLIUI
- (LV) PAPLĀKSNE KONSOLES NESOŠAJAM RUĻĻU BLOKAM



- (CZ) PODLOŽKA PRO VOZÍK
- (RO) ȘAIBĂ PENTRU SISTEMUL DE CULISARE ÎN CONSOLĂ
- (HR) PODLOŠKA ZA NOSIVO PODVOZJE
- (RUS) ШАЙБА ДЛЯ РОЛИКОВЫХ ТЕЛЕЖЕК САМОНЕСУЩИХ ВОРОТ
- (SLO) PODLOŽKA ZA VOZIČEK
- (TR) MANİVELA TAŞIYICISI İÇİN RONDELA
- (AR) حلبة لنوابية الكترول
- (CHN) 悬臂架垫片
- (MAL) SESENDAL UNTUK PEMBAWA JULUR
- (H) ALÁTÉT TOLÓKAPU FUTÓKOSIHOZ
- (IL) חבטה לנאליים לקומולי
- (BG) ВЛОЖКА ЗА КОНЗОЛНА КОЛИЧКА
- (KO) 캔틸레버 이송대용 와셔
- (SRB) PODLOŠKA ZA SAMONOSIVU KAPIJU

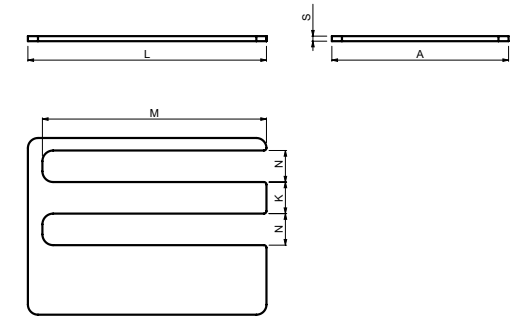
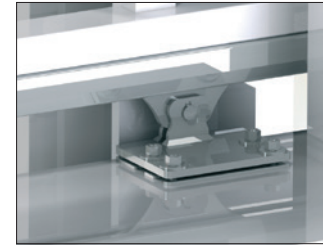
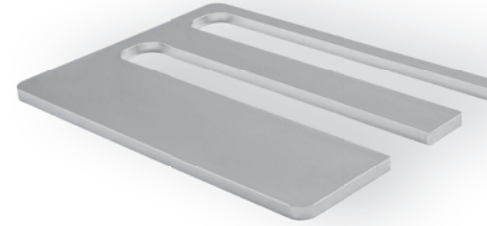
Art.	L	A	K	M	N	S	CARRIAGE	1pc	CODE		
									kg	pcs	kg
	mm										
DESK SE 2	189	140	71	178	25	2	SPEED SE	0,26	6	1,56	1700314
DESK SE 4	189	140	71	178	25	4	SPEED SE	0,52	6	3,12	1700315
DESK SE 6	189	140	71	178	25	6	SPEED SE	0,78	6	4,68	1700316



- (GB) WASHER FOR CANTILEVER CARRIAGE
- (D) UNTERLEGSCHIBE FÜR AUSLEGERSCHLITTEN
- (F) RONDELLE POUR CHARIOT CANTILEVER
- (E) TUERCA PARA CARRO EN VOLADIZO
- (P) ARRUELA PARA TRANSPORTE DE CANTILEVER
- (I) RONDELLA PER CARRELLO CANCELLO AUTOPORTANTE
- (DK) SKIVE TIL FRITBÆRENDE PORT
- (NL) RING VOOR SCHUIFWAGEN
- (N) SKIVE FOR RULLEPORTVOGN
- (S) BRICKA FÖR FRIBÄRANDE GRINDVAGN
- (FIN) ALUSLEVY ULOKETELINEESEEN
- (PL) PODKŁADKA DO WÓZKA BRAMY SAMONOSNEJ
- (SK) PODLOŽKA PRE SAMONOSNÝ NOSNÍK
- (EE) SEIB KONSOLALUSE JAOKS
- (LT) POVERŽLĖ GEMBINIŲ VARTŲ VEŽIMĖLIUI
- (LV) PĀPLĀKSNE KONSOLĒS NESOŠĀJAM RULĻU BLOKAM

- (CZ) PODLOŽKA PRO VOZÍK
- (RO) ȘAIBĂ PENTRU SISTEMUL DE CULISARE ÎN CONSOLĂ
- (HR) PODLOŠKA ZA NOSIVO PODVOZJE
- (RUS) ШАЙБА ДЛЯ РОЛИКОВЫХ ТЕЛЕЖЕК САМОНЕСУЩИХ ВОРОТ
- (SLO) PODLOŽKA ZA VOZIČEK
- (TR) MANİVELA TAŞIYICISI İÇİN RONDELA
- (AR) حلبة لواء الكترول
- (CHN) 悬臂架垫片
- (MAL) SESENDAL UNTUK PEMBAWA JULUR
- (H) ALÁTÉT TOLÓKAPU FUTÓKOCSIHOZ
- (IL) הקטלוג ללואים לקרונות
- (BG) ВЛОЖКА ЗА КОНЗОЛНА КОЛИЧКА
- (KO) 캔틸레버 이송대용 와셔
- (SRB) PODLOŠKA ZA SAMONOSIVU KAPJIU

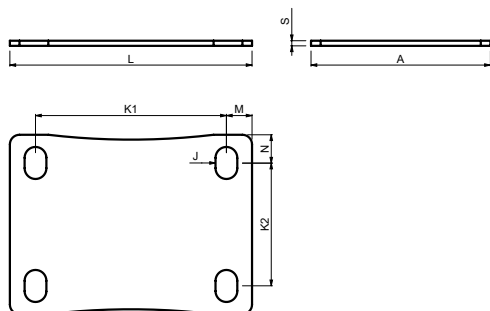
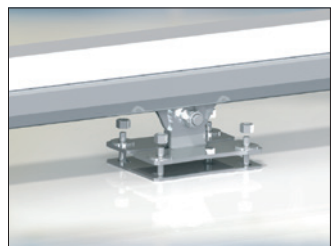
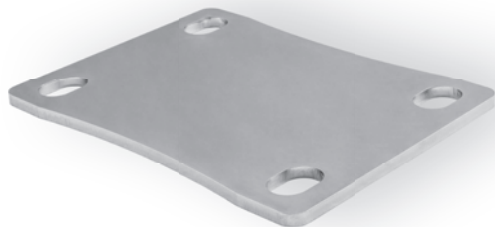
Art.	L	A	K	M	N	S	CARRIAGE	1pc	CARRIAGE			CODE
								kg	pcs	kg	kg	
									mm			
DESK S 2	189	140	71	178	25	2	SPEED S	0,29	6	1,74		1700317
DESK S 4	189	140	71	178	25	4	SPEED S	0,58	6	3,48		1700318
DESK S 6	189	140	71	178	25	6	SPEED S	0,87	6	5,22		1700319



- (GB) WASHER FOR CANTILEVER CARRIAGE
- (D) UNTERLEGSCHIBE FÜR AUSLEGERSCHLITTEN
- (F) RONDELLE POUR CHARIOT CANTILEVER
- (E) TUERCA PARA CARRO EN VOLADIZO
- (P) ARRUELA PARA TRANSPORTE DE CANTILEVER
- (I) RONDELLA PER CARRELLO CANCELLO AUTOPORTANTE
- (DK) SKIVE TIL FRITBÆRENDE PORT
- (NL) RING VOOR SCHUIFWAGEN
- (N) SKIVE FOR RULLEPORTVOGN
- (S) BRICKA FÖR FRIBÄRANDE GRINDVAGN
- (FIN) ALUSLEVY ULOKETELINEESEEN
- (PL) PODKŁADKA DO WÓZKA BRAMY SAMONOSNEJ
- (SK) PODLOŽKA PRE SAMONOSNÝ NOSNÍK
- (EE) SEIB KONSOLALUSE JAOKS
- (LT) POVERŽLĖ GEMBINIŲ VARTŲ VEŽIMĖLIUI
- (LV) PĀPLĀKSNE KONSOLĒS NESOŠĀJAM RULĻU BLOKAM

- (CZ) PODLOŽKA PRO VOZÍK
- (RO) ȘAIBĂ PENTRU SISTEMUL DE CULISARE ÎN CONSOLĂ
- (HR) PODLOŠKA ZA NOSIVO PODVOZJE
- (RUS) ШАЙБА ДЛЯ РОЛИКОВЫХ ТЕЛЕЖЕК САМОНЕСУЩИХ ВОРОТ
- (SLO) PODLOŽKA ZA VOZIČEK
- (TR) MANİVELA TAŞIYICISI İÇİN RONDELA
- (AR) حلبة لواء الكترول
- (CHN) 悬臂架垫片
- (MAL) SESENDAL UNTUK PEMBAWA JULUR
- (H) ALÁTÉT TOLÓKAPU FUTÓKOCSIHOZ
- (IL) הקטלוג ללואים לקרונות
- (BG) ВЛОЖКА ЗА КОНЗОЛНА КОЛИЧКА
- (KO) 캔틸레버 이송대용 와셔
- (SRB) PODLOŠKA ZA SAMONOSIVU KAPJIU

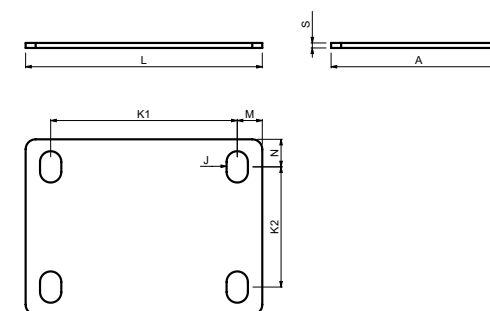
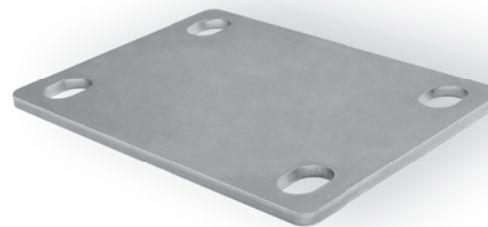
Art.	L	A	K	M	N	S	CARRIAGE	1pc	CARRIAGE			CODE
								kg	pcs	kg	kg	
									mm			
DESK SK 2	189	140	25	178	25	2	SPEED SK	0,27	6	1,62		1700320
DESK SK 4	189	140	25	178	25	4	SPEED SK	0,54	6	3,24		1700321
DESK SK 6	189	140	25	178	25	6	SPEED SK	0,81	6	4,86		1700322



- (GB) WASHER FOR CANTILEVER CARRIAGE
- (D) UNTERLEGSCHIEBE FÜR AUSLEGGERSCHLITTEN
- (F) RONDELLE POUR CHARIOT CANTILEVER
- (E) TUERCA PARA CARRO EN VOLADIZO
- (P) ARRUELA PARA TRANSPORTE DE CANTILEVER
- (I) RONDELLA PER CARRELLO CANCELLO AUTOPORTANTE
- (DK) SKIVE TIL FRITBÆRENDE PORT
- (NL) RING VOOR SCHUIFWAGEN
- (N) SKIVE FOR RULLEPORTVOGN
- (S) BRICKA FÖR FRIBÄRANDE GRINDVAGN
- (FIN) ALUSLEVY ULOKETELINEESEEN
- (PL) PODKLADKA DO WÓZKA BRAMY SAMONOŚNEJ
- (SK) PODLOŽKA PRE SAMONOSNÝ NOSNÍK
- (EE) SEIB KONSOOLALUSE JAOKS
- (LT) POVERŽLĖ GEMBINIŲ VARTŲ VEŽIMĖLIUI
- (LV) PĀPLĀKSNE KONSOLĒS NESOŠĀJAM RULĻU BLOKAM

- (CZ) PODLOŽKA PRO VOZÍK
- (RO) ȘAIBĂ PENTRU SISTEMUL DE CULISARE ÎN CONSOLĂ
- (HR) PODLOŠKA ZA NOSIVO PODVOZJE
- (RUS) ШАЙБА ДЛЯ РОЛИКОВЫХ ТЕЛЕЖЕК САМОНЕСУЩИХ ВОРОТ
- (SLO) PODLOŽKA ZA VOZIČEK
- (TR) MANIVELA TAŞIYICISI İÇİN RONDELA
- (AR) حطة لولاية الكترول
- (CHN) 悬臂架垫片
- (MAL) SESENDAL UNTUK PEMBAWA JULUR
- (H) ALÁTÉT TOLÓKAPU FUTÓKOCSIHOZ
- (IL) קרקע לגלגלים קרונווליי
- (BG) ВЛОЖКА ЗА КОНЗОЛНА КОЛИЧКА
- (KO) 캔틸레버 이송대용 와셔
- (SRB) PODLOŠKA ZA SAMONOSIVU KARIJU

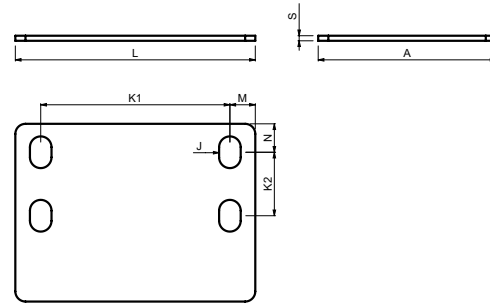
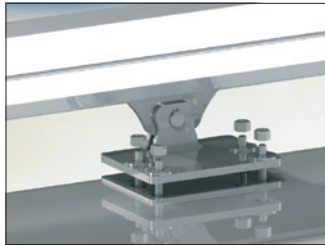
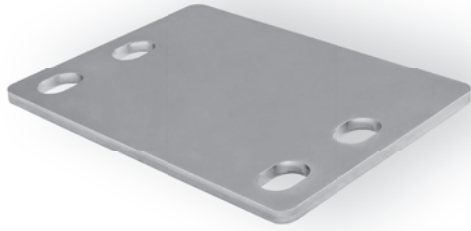
Art.	L	A	J	K1	K2	M	N	S	CARRIAGE	1pc	CODE		
										kg	pcs	kg	
											mm		
RAMP SE 2	189	140	17x25	149	96	20	22	2	SPEED SE	0,38	6	2,28	1700283
RAMP SE 4	189	140	17x25	149	96	20	22	4	SPEED SE	0,75	6	4,5	1700284
RAMP SE 6	189	140	17x25	149	96	20	22	6	SPEED SE	1,08	6	6,48	1700285



- (GB) WASHER FOR CANTILEVER CARRIAGE
- (D) UNTERLEGSCHIEBE FÜR AUSLEGGERSCHLITTEN
- (F) RONDELLE POUR CHARIOT CANTILEVER
- (E) TUERCA PARA CARRO EN VOLADIZO
- (P) ARRUELA PARA TRANSPORTE DE CANTILEVER
- (I) RONDELLA PER CARRELLO CANCELLO AUTOPORTANTE
- (DK) SKIVE TIL FRITBÆRENDE PORT
- (NL) RING VOOR SCHUIFWAGEN
- (N) SKIVE FOR RULLEPORTVOGN
- (S) BRICKA FÖR FRIBÄRANDE GRINDVAGN
- (FIN) ALUSLEVY ULOKETELINEESEEN
- (PL) PODKLADKA DO WÓZKA BRAMY SAMONOŚNEJ
- (SK) PODLOŽKA PRE SAMONOSNÝ NOSNÍK
- (EE) SEIB KONSOOLALUSE JAOKS
- (LT) POVERŽLĖ GEMBINIŲ VARTŲ VEŽIMĖLIUI
- (LV) PĀPLĀKSNE KONSOLĒS NESOŠĀJAM RULĻU BLOKAM

- (CZ) PODLOŽKA PRO VOZÍK
- (RO) ȘAIBĂ PENTRU SISTEMUL DE CULISARE ÎN CONSOLĂ
- (HR) PODLOŠKA ZA NOSIVO PODVOZJE
- (RUS) ШАЙБА ДЛЯ РОЛИКОВЫХ ТЕЛЕЖЕК САМОНЕСУЩИХ ВОРОТ
- (SLO) PODLOŽKA ZA VOZIČEK
- (TR) MANIVELA TAŞIYICISI İÇİN RONDELA
- (AR) حطة لولاية الكترول
- (CHN) 悬臂架垫片
- (MAL) SESENDAL UNTUK PEMBAWA JULUR
- (H) ALÁTÉT TOLÓKAPU FUTÓKOCSIHOZ
- (IL) קרקע לגלגלים קרונווליי
- (BG) ВЛОЖКА ЗА КОНЗОЛНА КОЛИЧКА
- (KO) 캔틸레버 이송대용 와셔
- (SRB) PODLOŠKA ZA SAMONOSIVU KARIJU

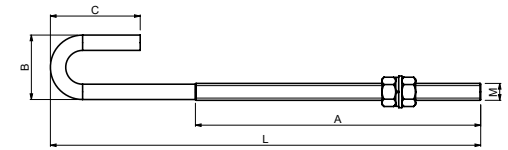
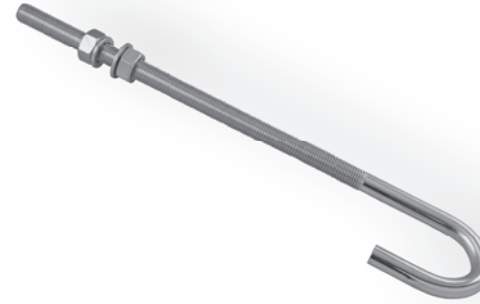
Art.	L	A	J	K1	K2	M	N	S	CARRIAGE	1pc	CODE		
										kg	pcs	kg	
											mm		
RAMP S 2	189	140	17x25	149	96	20	22	2	SPEED S	0,4	6	2,4	1700286
RAMP S 4	189	140	17x25	149	96	20	22	4	SPEED S	0,78	6	4,68	1700287
RAMP S 6	189	140	17x25	149	96	20	22	6	SPEED S	1,13	6	6,78	1700288



- (GB) WASHER FOR CANTILEVER CARRIAGE
- (D) UNTERLEGSCHLEIBE FÜR AUSLEGERSCHLITTEN
- (F) RONDELLE POUR CHARIOT CANTILEVER
- (E) TUERCA PARA CARRO EN VOLADIZO
- (P) ARRUELA PARA TRANSPORTE DE CANTILEVER
- (I) RONDELLA PER CARRELLO CANCELLO AUTOPORTANTE
- (DK) SKIVE TIL FRITBÆRENDE PORT
- (NL) RING VOOR SCHUIFWAGEN
- (N) SKIVE FOR RULLEPORTVOGN
- (S) BRICKA FÖR FRIBÄRANDE GRINDVAGN
- (FIN) ALUSLEVY ULOKETELINEESEEN
- (PL) PODKŁADKA DO WÓZKA BRAMY SAMONOŚNEJ
- (SK) PODLOŽKA PRE SAMONOSNÝ NOSNÍK
- (EE) SEIB KONSOLALUSE JAOKS
- (LT) POVERŽLĖ GEMBINIŲ VARTŲ VEŽIMĖLIUI
- (LV) PĀPLĀKSNE KONSOLES NESOŠĀJAM RUĻĻU BLOKAM

- (CZ) PODLOŽKA PRO VOZÍK
- (RO) ȘAIBĂ PENTRU SISTEMUL DE CULISARE ÎN CONSOLĂ
- (HR) PODLOŠKA ZA NOSIVO PODVOZJE
- (RUS) ШАЙБА ДЛЯ РОЛИКОВЫХ ТЕЛЕЖЕК САМОНЕСУЩИХ ВОРОТ
- (SLO) PODLOŽKA ZA VOZIČEK
- (TR) MANIVELA TAŞIYICISI İÇİN RONDELA
- (AR) حلبة لولاية الكورول
- (CHN) 悬臂架垫片
- (MAL) SESENDAL UNTUK PEMBAWA JULUR
- (H) ALÁTÉT TOLÓKAPU FUTÓKOCSIHOZ
- (IL) חוקית לוגללים לרזורול
- (BG) ВЛОЖКА ЗА КОНЗОЛНА КОЛИЧКА
- (KO) 캔틸레버 이송대용 와셔
- (SRB) PODLOŠKA ZA SAMONOSIVU KAPIJU

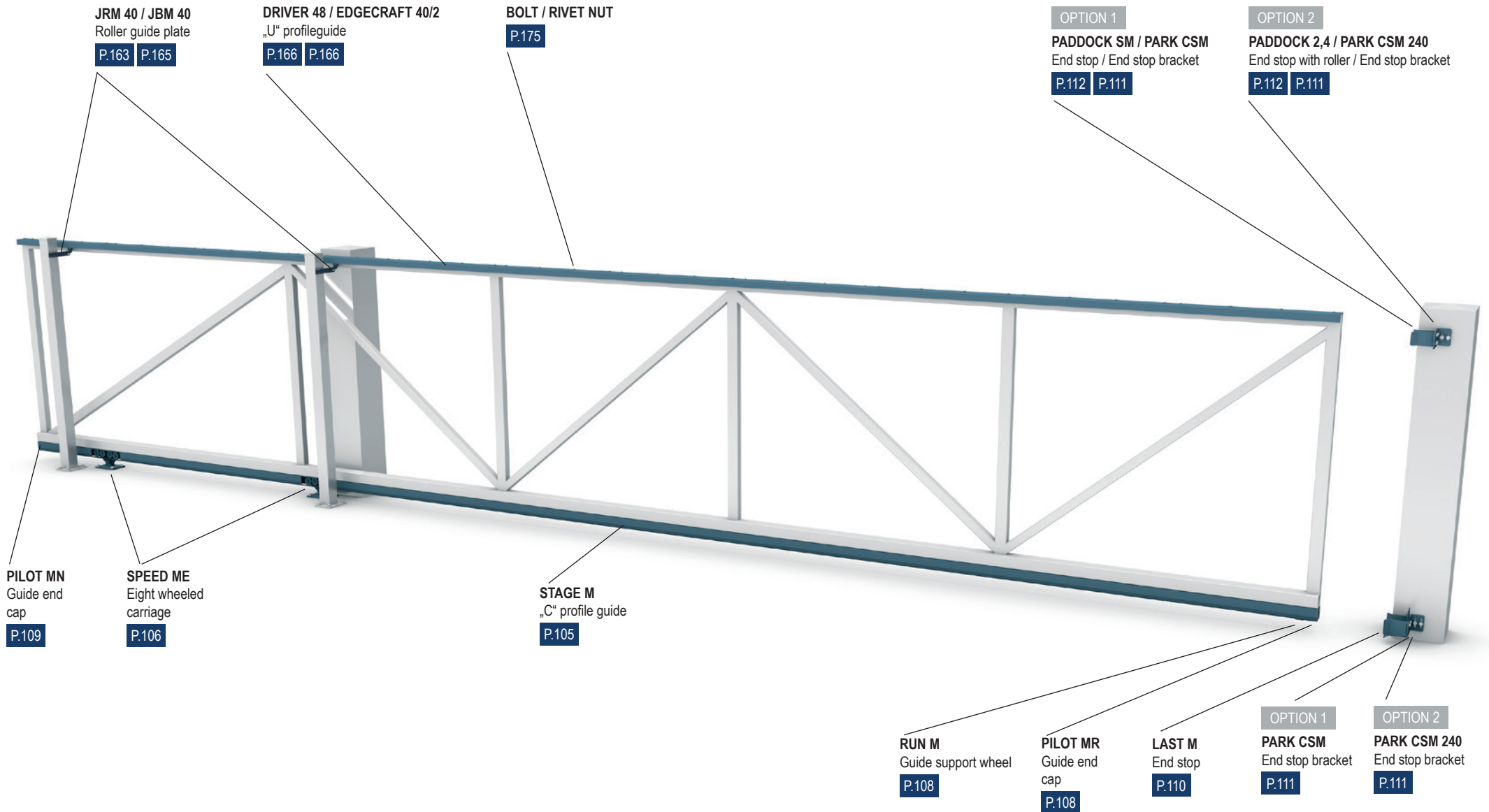
Art.	L	A	J	K1	K2	M	N	S	CARRIAGE	1pc	📦			CODE
										kg	pcs	kg		
	mm													
RAMP SK 2	189	140	17x25	149	50	20	22	2	SPEED SK	0,4	6	2,4	1700289	
RAMP SK 4	189	140	17x25	149	50	20	22	4	SPEED SK	0,78	6	4,68	1700290	
RAMP SK 6	189	140	17x25	149	50	20	22	6	SPEED SK	1,13	6	6,78	1700291	



- (GB) FIXING BAR FOR CANTILEVER CARRIAGE
- (D) BEFESTIGUNGSSTANGE FÜR AUSLEGERSCHLITTEN
- (F) BARRE DE FIXATION POUR CHARIOT CANTILEVER
- (E) BARRA DE FIJACIÓN PARA CARRO EN VOLADIZO
- (P) BARRA DE FIXAÇÃO DE TRANSPORTE DE CANTILEVER
- (I) BARRA DI FISSAGGIO PER CARRELLO CANCELLO AUTOPORTANTE
- (DK) FASTGØRELSESSTANG TIL FRITBÆRENDE PORT
- (NL) BEVESTIGINGSBALK VOOR SCHUIFWAGEN
- (N) FESTESTANG FOR RULLEPORT
- (S) FÄSTBALK FÖR FRIBÄRANDE GRINDVAGN
- (FIN) KIINNITYSPALKKI ULOKETELINEESEEN
- (PL) LISTWA MOCUJĄCA DO WÓZKA BRAMY SAMONOŚNEJ
- (SK) UPEVNŔOVACIA TYČ PRE SAMONOSNÝ NOSNÍK
- (EE) FIKSEERIMISTALA KONSOLALUSE JAOKS
- (LT) TVIRTINIMO STRYPAS GEMBINIŲ VARTŲ VEŽIMĖLIUI
- (LV) FIKSĒJOŠAIS STIENIS KONSOLES NESOŠĀJAM RUĻĻU BLOKAM

- (CZ) FIXAČNÍ TYČ PRO VOZÍK
- (RO) BARĂ DE FIXARE PENTRU SISTEMUL DE CULISARE ÎN CONSOLĂ
- (HR) FIKSIRAJUĆA ŠIPKA ZA NOSIVO PODVOZJE
- (RUS) КРЕПЕЖНЫЙ СТЕРЖЕНЬ ДЛЯ РОЛИКОВЫХ ТЕЛЕЖЕК САМОНЕСУЩИХ ВОРОТ
- (SLO) PRITRDILNI DROG ZA VOZIČEK
- (TR) MANIVELA TAŞIYICISI İÇİN SABITLEME ÇUBUĞU
- (AR) قضيب التثبيت لولاية الكورول
- (CHN) 悬臂架固定条
- (MAL) BAR IKATAN UNTUK PEMBAWA JULUR
- (H) RÖGZÍTŐRÚD TOLÓKAPU FUTÓKOCSIHOZ
- (IL) מוט קביעה לוגללים לרזורול
- (BG) ФИКСАТОР ЗА КОНЗОЛНА КОЛИЧКА
- (KO) 캔틸레버 이송대용 고정대
- (SRB) FIKSIRAJUĆA ŠIPKA ZA SAMONOSIVU KAPIJU

Art.	L	A	B	C	M	WASHER	1pc	📦			CODE
							kg	pcs	kg		
	mm										
CLINCH 16	410	300	60	80	M16	RAMP	0,72	12	8,64	1700239	



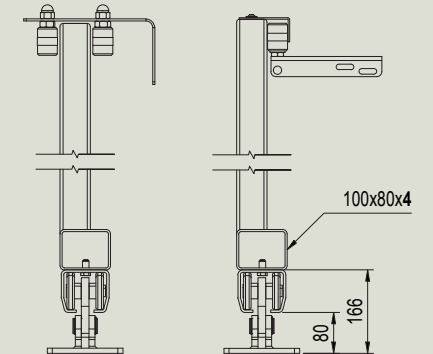
CAIS CANTILEVER ME 8.0



















CANTILEVER HARDWARE

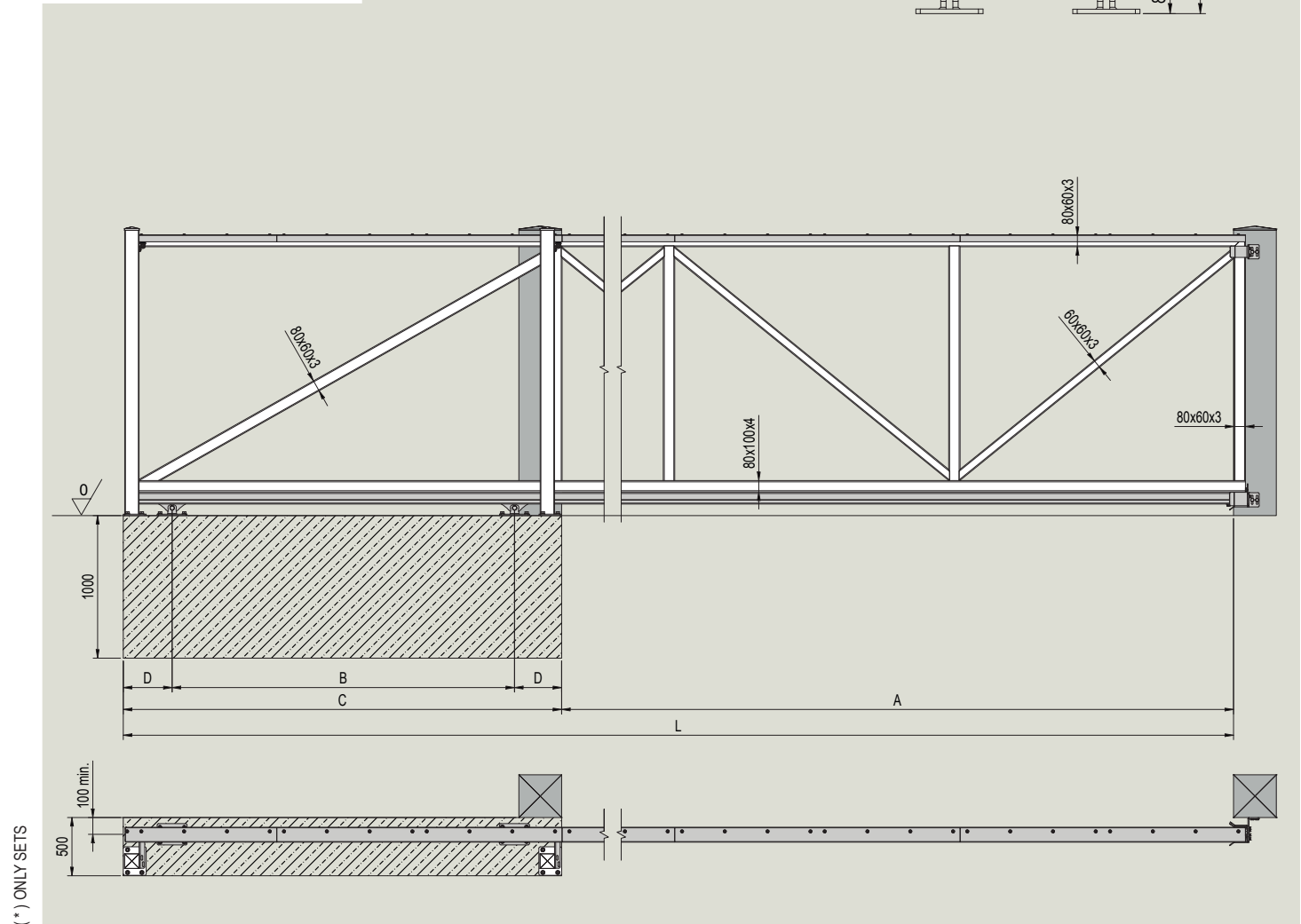
CANTILEVER ME	mm; kg	mm; kg	mm; kg	mm; kg	mm; kg	mm; kg	mm; kg	mm; kg	mm; kg
A	4000	4500	5000	5500	6000	6500	7000	7500	8000
max. weight gate	500 kg	525 kg	550 kg	575 kg	600 kg	625 kg	650 kg	675 kg	700 kg
B	1200	1350	1500	1650	1800	1950	2100	2250	2400
C	1860	2010	2160	2310	2460	2610	2760	2910	3060
D	330	330	330	330	330	330	330	330	330

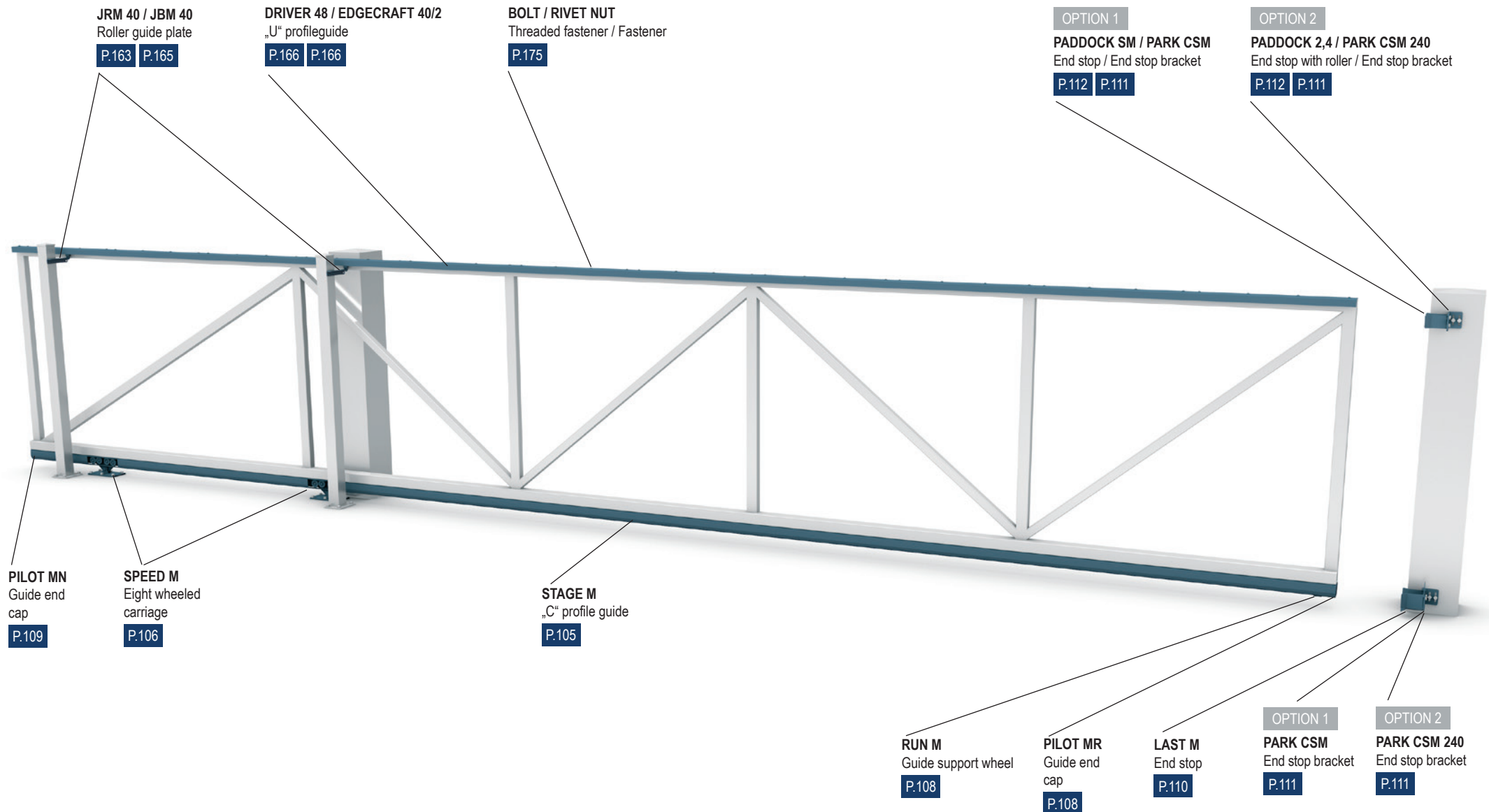
$$B = 0,3 \times A$$

$$L = A + B + (2 \times D) + E$$



-  EASY ASSEMBLY
-  FAST NO WELDING REQUIRED
-  15 BOLTS 15 RIVET NUTS INCLUDED (*)
-  «C» TRACK SERIAL NO. 100% COMPATIBILITY CARRIAGE TESTED
-  GERMAN STEEL
-  HOT DIPPED GALVANIZED
-  ARROW STRAIGHT «C» TRACK
-  SLOTTED HOLE PUNCHED EVERY 400mm IN TRACK
-  GALVANIZED INTERNAL EDGES
-  MADE IN CZECH REPUBLIC
-  C2 HIGH QUALITY BEARINGS
-  CARRIAGES CENTER HOLES MILLED NOT LASER CUT
-  MULTI RIVETED SECTIONS
-  JAPANESE ROBOTICS FANUC
-  UNIVERSITY OF TECHNOLOGY - BRNO
-  - 37°C TESTED & PROVEN
-  + 50°C TESTED & PROVEN
-  NO WELDING REQUIRED





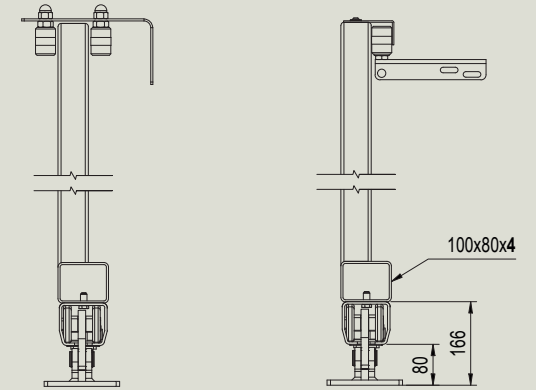
 **CANTILEVER M 8.0**



















CANTILEVER HARDWARE

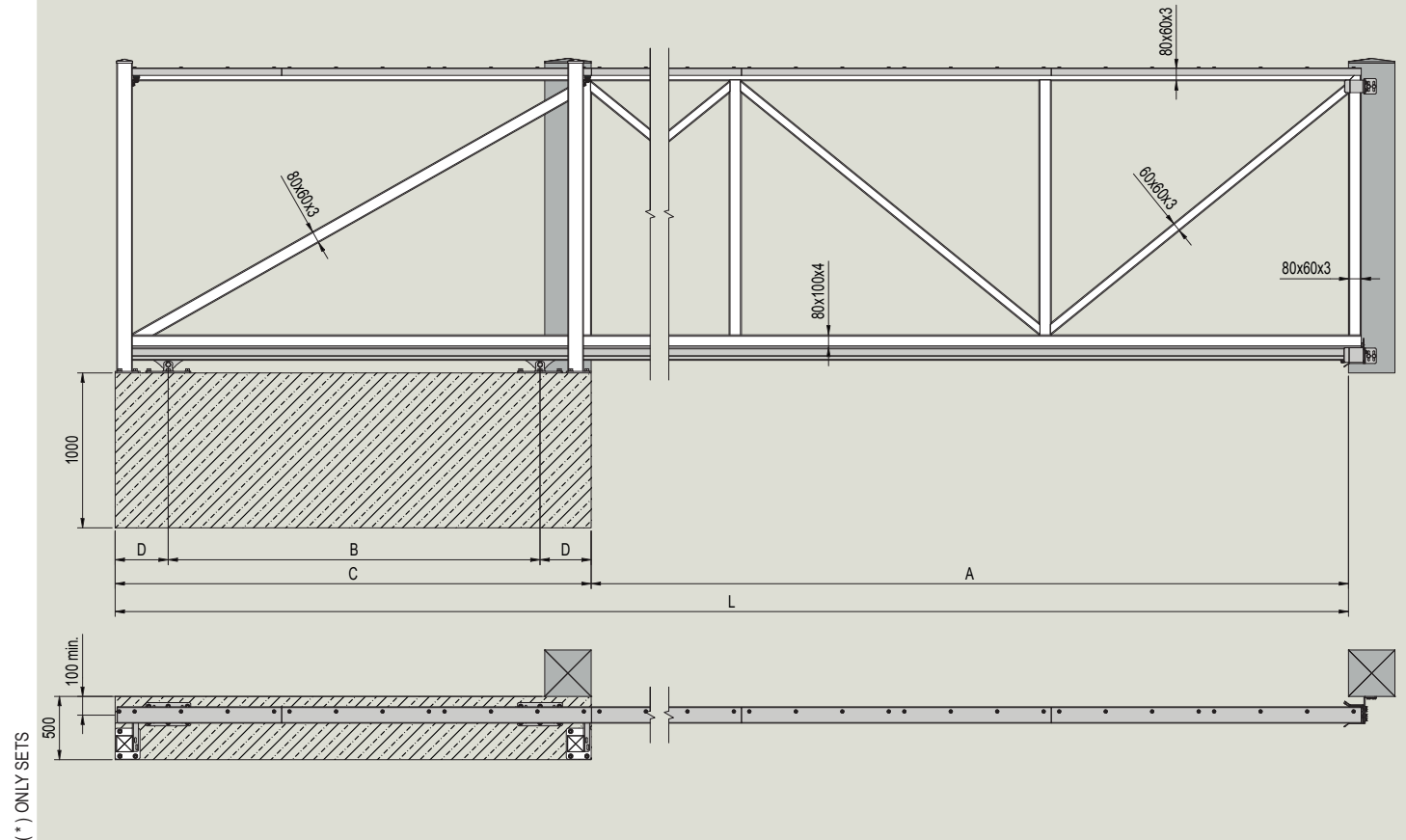
CANTILEVER M	mm; kg	mm; kg	mm; kg	mm; kg	mm; kg	mm; kg	mm; kg	mm; kg	mm; kg
A	4000	4500	5000	5500	6000	6500	7000	7500	8000
max. weight gate	500 kg	525 kg	550 kg	575 kg	600 kg	625 kg	650 kg	675 kg	700 kg
B	1200	1350	1500	1650	1800	1950	2100	2250	2400
C	1860	2010	2160	2310	2460	2610	2760	2910	3060
D	330	330	330	330	330	330	330	330	330

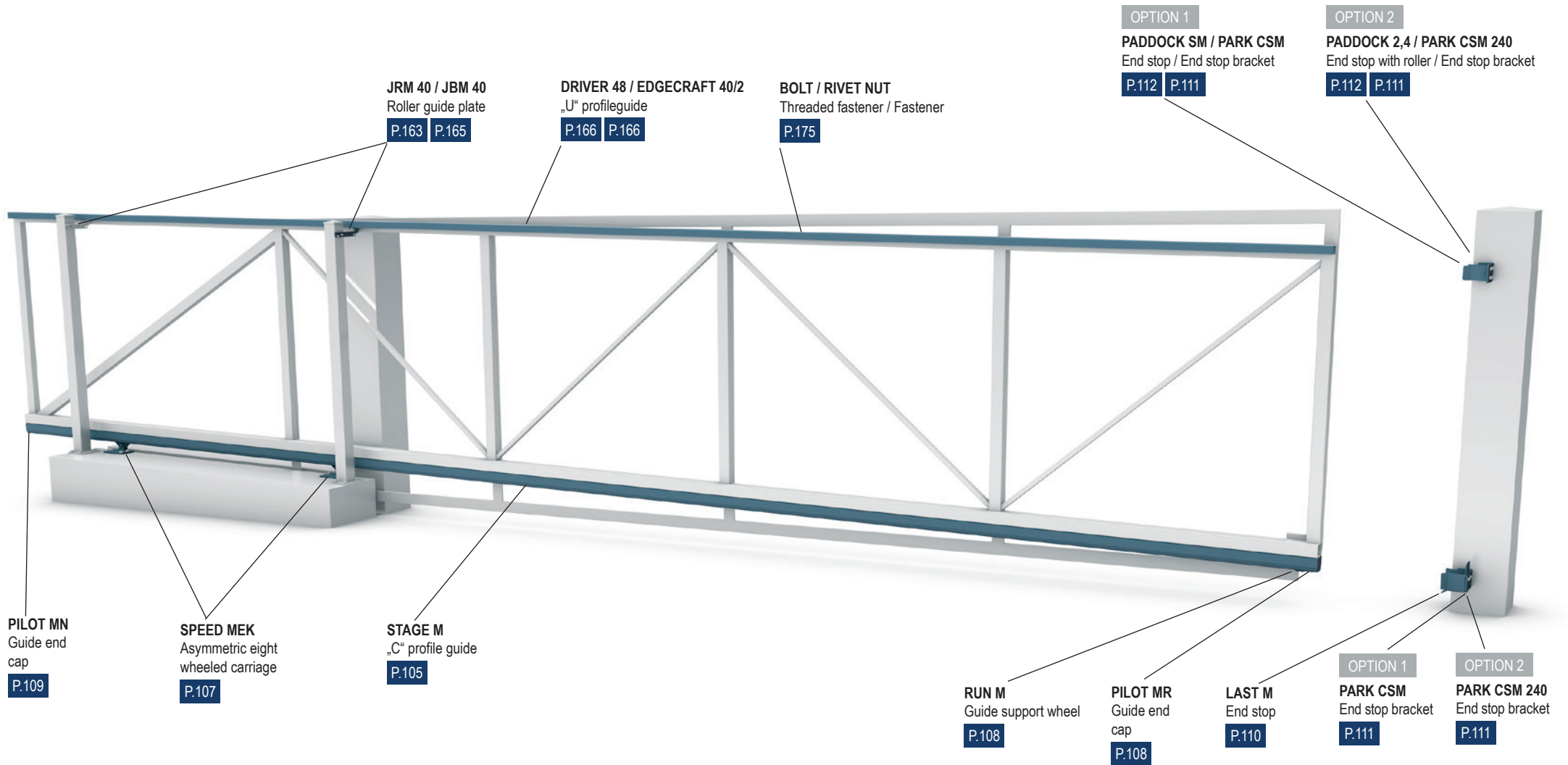
$$B = 0,3 \times A$$

$$L = A + B + (2 \times D) + E$$



-  EASY ASSEMBLY
-  FAST NO WELDING REQUIRED
-  15 BOLTS 15 RIVET NUTS INCLUDED (*)
-  «C» TRACK SERIAL NO. 100% COMPATIBILITY CARRIAGE TESTED
-  GERMAN STEEL
-  HOT DIPPED GALVANIZED
-  ARROW STRAIGHT «C» TRACK
-  SLOTTED HOLE PUNCHED EVERY 400mm IN TRACK
-  GALVANIZED INTERNAL EDGES
-  MADE IN CZECH REPUBLIC
-  C 2 HIGH QUALITY BEARINGS
-  CARRIAGES CENTER HOLES MILLED NOT LASER CUT
-  MULTI RIVETED SECTIONS
-  JAPANESE ROBOTICS FANUC
-  UNIVERSITY OF TECHNOLOGY - BRNO
-  - 37°C TESTED & PROVEN
-  + 50°C TESTED & PROVEN
-  NO WELDING REQUIRED





SUITABLE FOR
INCLINED DRIVEWAY
INSTALLATION

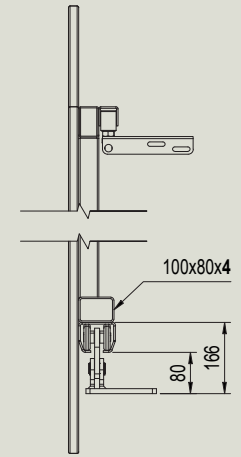
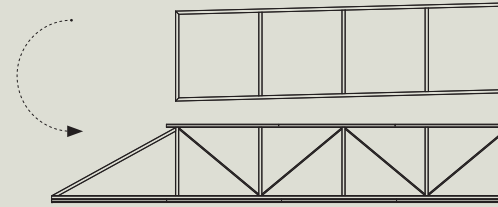
CAIS CANTILEVER MEK 8.0

CANTILEVER HARDWARE
FOR INCLINED DRIVEWAYS

CANTILEVER MEK									
	mm; kg	mm; kg	mm; kg	mm; kg	mm; kg	mm; kg	mm; kg	mm; kg	mm; kg
A	4000	4500	5000	5500	6000	6500	7000	7500	8000
max. weight gate	500 kg	525 kg	550 kg	575 kg	600 kg	625 kg	650 kg	675 kg	700 kg
B	1200	1350	1500	1650	1800	1950	2100	2250	2400
C	1860	2010	2160	2310	2460	2610	2760	2910	3060
D	330	330	330	330	330	330	330	330	330

$$B = 0,3 \times A$$

$$L = A + B + (2 \times D) + E$$



SUITABLE FOR INCLINED DRIVEWAY INSTALLATION



ASYMMETRIC EIGHT WHEELED CARRIAGE



EASY ASSEMBLY



C 2 HIGH QUALITY BEARINGS



FAST NO WELDING REQUIRED



CARRIAGES CENTER HOLES MILLED NOT LASER CUT



15 BOLTS 15 RIVET NUTS INCLUDED (*)



MULTI RIVETED SECTIONS



«C» TRACK SERIAL NO. 100% COMPATIBILITY CARRIAGE TESTED



JPN JAPANESE ROBOTICS FANUC



GERMAN STEEL



R&D UNIVERSITY OF TECHNOLOGY - BRNO



270 g/m² HOT DIPPED GALVANIZED



- 37°C TESTED & PROVEN



ARROW STRAIGHT «C» TRACK



+ 50°C TESTED & PROVEN



SLOTTED HOLE PUNCHED EVERY 400mm IN TRACK



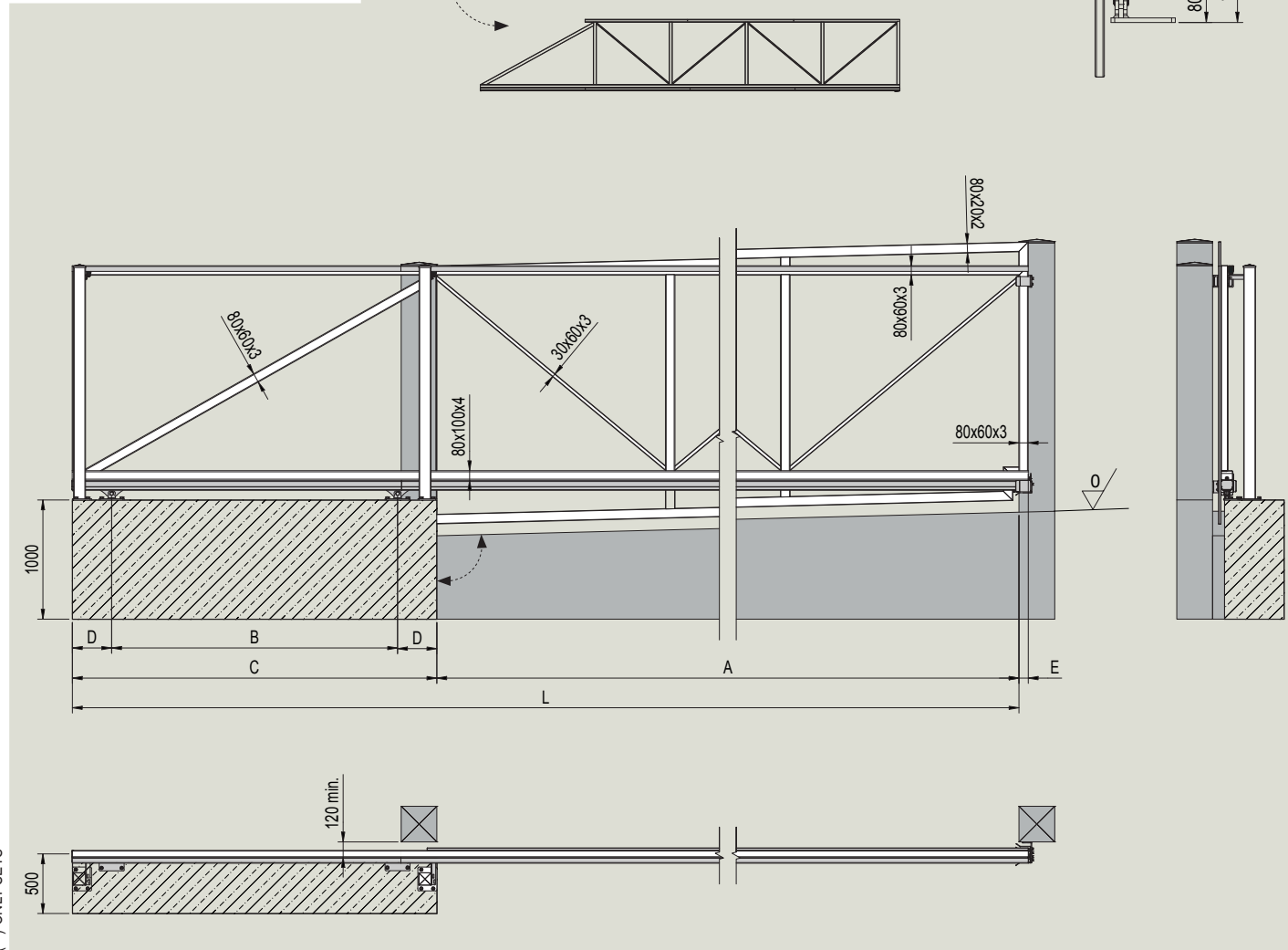
CZ MADE IN CZECH REPUBLIC



GALVANIZED INTERNAL EDGES



NO WELDING REQUIRED



(*) ONLY SETS



D **W Wuppermann**
GERMAN STEEL

270 g/m² HOT DIPPED GALVANIZED

SPECIAL THICKNESS **5,00** mm





- 37°C TESTED & PROVEN 


+ 50°C TESTED & PROVEN 


24 months 24 MONTHS TESTED & PROVEN

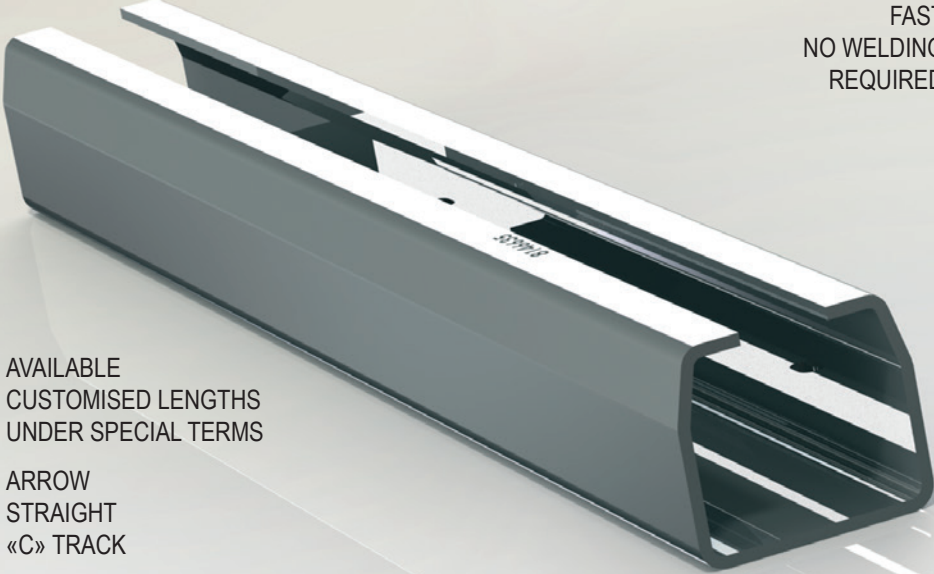
CZ MADE IN CZECH REPUBLIC




SERIAL NUMBER CARRIAGE TESTED & PROVEN  N° 239892


15 BOLTS
15 RIVET NUTS INCLUDED (*) 


SLOTTED HOLE PUNCHED EVERY 400mm IN TRACK 




EASY ASSEMBLY 


FAST NO WELDING REQUIRED 

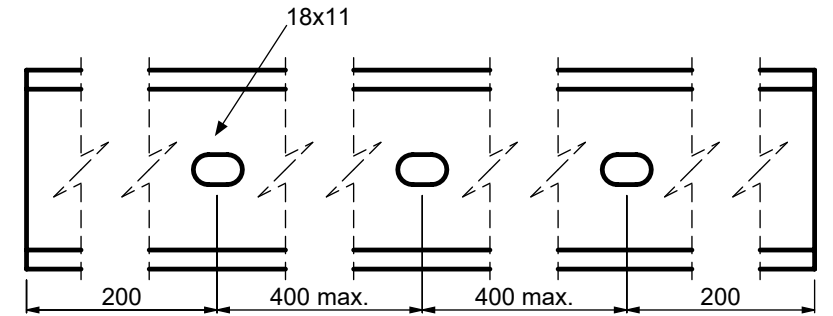
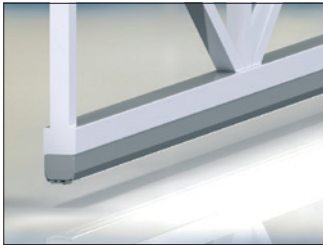
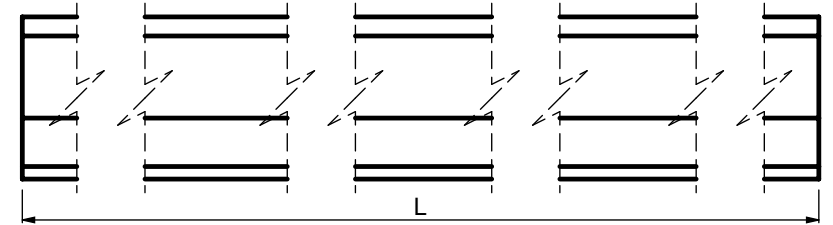
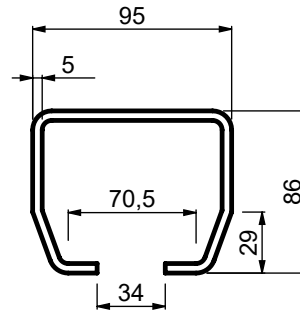
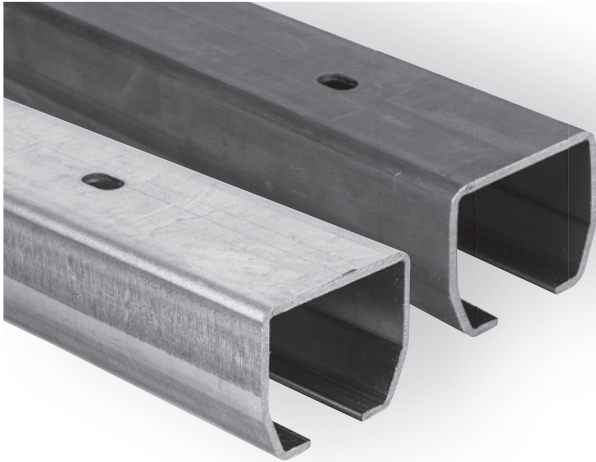
 AVAILABLE CUSTOMISED LENGTHS UNDER SPECIAL TERMS

 ARROW STRAIGHT «C» TRACK

18 EIGHTEEN ROLL FORMERS THE LARGEST NUMBER IN THE INDUSTRY REMOVE THE INSET «MEMORY» OF THE STEEL


 SLOW ROLLING NO HEAT GENERATED DURING PRODUCTION KEEPING THE MATERIAL WHERE IT IS ROLLED

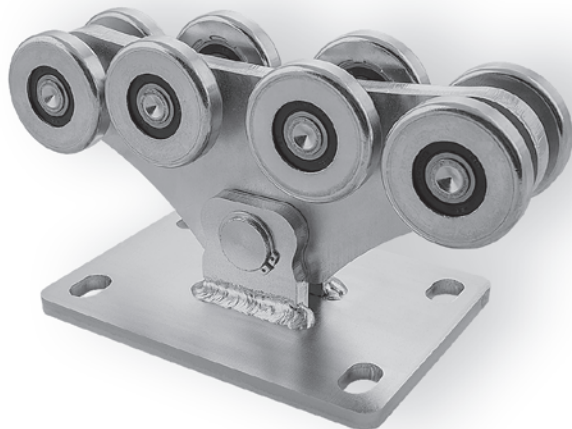
R&D  BRNO UNIVERSITY OF TECHNOLOGY






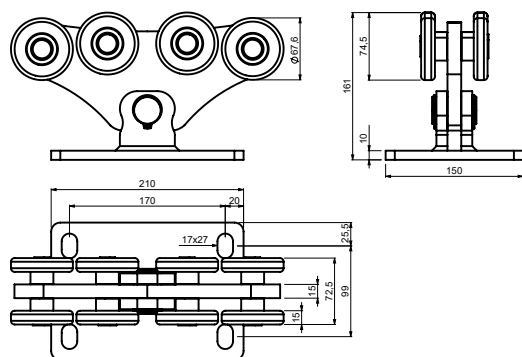
- (GB) „C” PROFILE GUIDE FOR CANTILEVER GATE
- (D) „C” PROFIL FÜR FREITRAGENDE SCHIEBETÖRE
- (F) GUIDE À PROFIL EN « C » POUR PORTAIL AUTOPORTANT
- (E) GUÍA CON PERFIL “C” PARA PUERTA VOLADIZA
- (P) GUIA DE PERFIL “C” PARA PORTÃO CANTILEVER
- (I) GUIDA CON PROFILO A “C” PER CANCELLO AUTOPORTANTE
- (DK) “C” PROFILVANGE TIL FRITTBÆRENDE PORT
- (NL) “C” PROFIEL GELEIDER VOOR VRIJDRAGENDE SCHUIFPOOR
- (N) “C”-PROFILSKINNE FOR FRITTBÆRENDE PORTX
- (S) “C” GEJDPROFIL FÖR FRIBÄRANDE GRIND
- (FIN) “C” -PROFILLIÖHJAIN ULÖKEKANNETTEISEEN PORTTIIN
- (PL) SZYNA DO BRAM SAMONOŚNYCH
- (SK) NOSNÝ „C” PROFIL PRE POSUVNÚ SAMONOSNÚ BRÁNU
- (EE) “C”-PROFII LI JUHIK KONSOLVÄRAVA JAOKS
- (LT) „C” FORMOS PROFILIUOTAS KREIPTUVAS GEMBINIAMS VARTAMS
- (LV) “C” VEIDA PROFILS KONSOLVEIDA VÄRTIEM

- (CZ) ŠÍNA „C” PROFIL PRO POSUVNOU SAMONOSNOU BRÁNU
- (RO) GHIDAJ CU PROFIL „C” PENTRU POARTA AUTOPORTANTĂ ÎN CONSOLĂ
- (HR) VODILICA „C” PROFILA ZA KLIZNA DVORIŠNA VRATA
- (RUS) НАПРАВЛЯЮЩИЙ РЕЛЬС / ПРОФИЛЬ «С» ДЛЯ ОТКАТНЫХ САМОНЕСУЩИХ ВОРОТ
- (SLO) “C” VODILO ZA SAMONOSNA DRSNA VRATA
- (TR) KONSOL BAĞÇE KAPISI İÇİN “C” PROFİL KIZAĞI
- (AR) للبوابة الدعامة “C” دعامة للبوابة جانية
- (CHN) 悬臂门“C”型导轨
- (MAL) PANDU PROFIL “C” UNTUK PINTU PAGAR JULUR
- (H) C-VEZETŐSÍN TOLÓKAPUHOZ
- (IL) קורה בפדוף “C” לשער קונסול
- (BG) “C”-ОБРАЗНА РЕЛСА ЗА КОНЗОЛНА ВРАТА
- (KO) 캔틸레버 게이트용 “C”자형 프로필 가이드
- (SRB) VODICA „C” PROFILA ZA SAMONOSIVU KAPIJU

Art.	CARRIAGE	SURFACE FINISH	L/1pc	1pc			CODE
			mm	kg	pcs	kg	
STAGE MB 6	SPEED M/ME/MEK	UNGALVANIZED	6000	65,4	12	784,8	1700011
STAGE MB 4	SPEED M/ME/MEK	UNGALVANIZED	4000	43,6	12	523,2	1700213
STAGE MB 3	SPEED M/ME/MEK	UNGALVANIZED	3000	32,7	12	392,4	1700169
STAGE MB 2	SPEED M/ME/MEK	UNGALVANIZED	2000	21,8	12	261,6	1700214
STAGE MB 1	SPEED M/ME/MEK	UNGALVANIZED	1000	10,9	12	130,8	1720026
STAGE MZ 6	SPEED M/ME/MEK	GALVANIZED	6000	65,4	12	784,8	1700012
STAGE MZ 4	SPEED M/ME/MEK	GALVANIZED	4000	43,6	12	523,2	1700215
STAGE MZ 3	SPEED M/ME/MEK	GALVANIZED	3000	32,7	12	392,4	1700170
STAGE MZ 2	SPEED M/ME/MEK	GALVANIZED	2000	21,8	12	261,6	1700216
STAGE MZ 1	SPEED M/ME/MEK	GALVANIZED	1000	10,9	12	130,8	1720036



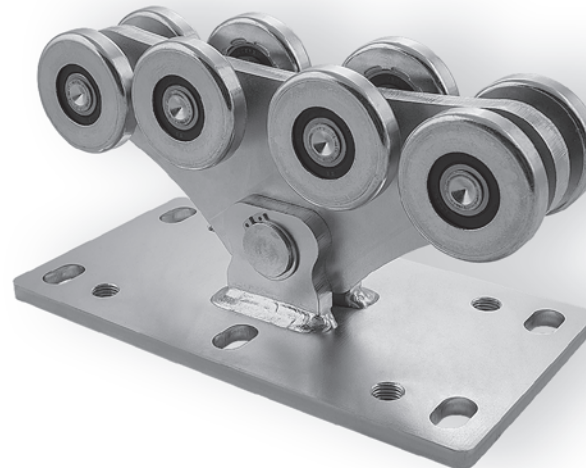
-  C 2
HIGH QUALITY
BEARINGS
-  CARRIAGES CENTER
HOLES MILLED
NOT LASER CUT
-  MULTI RIVETED
SECTIONS
- mono
block** MONO BLOCK
EIGHT WHEELED
CARRIAGE






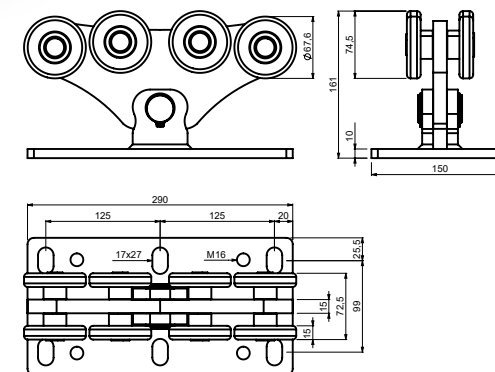
- (GB) EIGHT WHEELED CARRIAGE FOR CANTILEVER GATE
- (D) ROLLAPPARAT MIT ACHT ROLLEN FÜR FREITRAGENDE SCHIEBETORE
- (F) CHARIOT À HUIT ROUES POUR PORTAIL AUTOPORTANT
- (E) CARRIL DE OCHO RUEDAS PARA PUERTA VOLADIZA
- (P) CORREDIÇA DE OITO ROLDANAS PARA PORTÃO CANTILEVER
- (I) CARRELLO A OTTO RUOTE PER CANCELLO AUTOPORTANTE
- (DK) OTTE TRANSPORTHJUL TIL FRITTBÆRENDE PORT
- (NL) ACHTVOUDIG WIELENBLOK VOOR VRIJDRAGENDE SCHUIFPOORT
- (N) ATTEHJULS DRIVSKINNE TIL FRITTBÆRENDE PORT
- (S) ÅTTAHJULIG VAGN FÖR FRIBÄRANDE GRIND
- (FIN) KAHDEKSAN PYÖRÄN ALUSTA ULOKEKANNETIESEEN PORTTIIN
- (PL) WÓZEK 8-ROLKOWY DO BRAM SAMONOŚNYCH
- (SK) VOZÍK OSEM KOLIEČKOVÝ PRE POSUVNÚ SAMONOSNÚ BRÁNU
- (EE) KAHEKSARATTALINE SUPORT KONSOLVÄRAVA JAOKS
- (LT) VEŽIMĖLIS GEMBINIAMS VARTAMS SU AŠTUONIAIS RATUKAIS
- (LV) ASTOŅU RUĻĻU BLOKS KONSOLVEIDA VĀRTIEM

- (CZ) VOZÍK OSMIKOLOVÝ PRO POSUVNOU SAMONOSNOU BRÁNU
- (RO) CĂRUCIOR PE OPT ROȚI PENTRU POARTA AUTOPORTANTĂ ÎN CONSOLĂ
- (HR) NOSAČ S OSAM KOTAČA ZA KLIZNA DVORIŠNA VRATA
- (RUS) ВОСЬМИКОЛЕСНАЯ РОЛИКОВАЯ ТЕЛЕЖКА ДЛЯ ОТКАТНЫХ САМОНЕСУЩИХ ВОРОТ
- (SLO) VOZIČEK Z OSMIMI KOLESI ZA SAMONOSNA DRŠNA VRATA
- (TR) KONSOL BAHÇE KAPISI İÇİN SEKİZ TEKERLEKLİ TAŞIYICI
- (AR) عربة مزودة بشعبي عجلات للوابت المدعنة
- (CHN) 悬臂门八轮滑架
- (MAL) PENYORONG LAPAN RODA UNTUK PINTU PAGAR JULUR
- (H) NYOLCGÖRGŐS FUTÓKOCSI TOLÓKAPUHOZ
- (IL) קרונית שמנונה גלגלים לשער קונדולי
- (BG) КОЛИЧКА С ОСЕМ РОЛКИ ЗА КОНЗОЛНА ВРАТА
- (KO) 8개 휠이 있는 캔틸레버 게이트용 이송대
- (SRB) NOSAČ SA OSAM TOČKIČA ZA SAMONOSIVU KAPIJU

Art.	A	GUIDE	1pc		CODE
			kg	pcs	
SPEED ME	8000	STAGE MB/MZ	9	2	1700009



-  C 2
HIGH QUALITY
BEARINGS
-  CARRIAGES CENTER
HOLES MILLED
NOT LASER CUT
-  MULTI RIVETED
SECTIONS
- mono
block** MONO BLOCK
EIGHT WHEELED
CARRIAGE








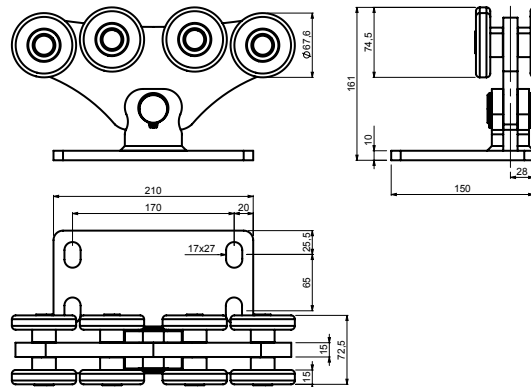
- (GB) EIGHT WHEELED CARRIAGE FOR CANTILEVER GATE
- (D) ROLLAPPARAT MIT ACHT ROLLEN FÜR FREITRAGENDE SCHIEBETORE
- (F) CHARIOT À HUIT ROUES POUR PORTAIL AUTOPORTANT
- (E) CARRIL DE OCHO RUEDAS PARA PUERTA VOLADIZA
- (P) CORREDIÇA DE OITO ROLDANAS PARA PORTÃO CANTILEVER
- (I) CARRELLO A OTTO RUOTE PER CANCELLO AUTOPORTANTE
- (DK) OTTE TRANSPORTHJUL TIL FRITTBÆRENDE PORT
- (NL) ACHTVOUDIG WIELENBLOK VOOR VRIJDRAGENDE SCHUIFPOORT
- (N) ATTEHJULS DRIVSKINNE TIL FRITTBÆRENDE PORT
- (S) ÅTTAHJULIG VAGN FÖR FRIBÄRANDE GRIND
- (FIN) KAHDEKSAN PYÖRÄN ALUSTA ULOKEKANNETIESEEN PORTTIIN
- (PL) WÓZEK 8-ROLKOWY DO BRAM SAMONOŚNYCH
- (SK) VOZÍK OSEM KOLIEČKOVÝ PRE POSUVNÚ SAMONOSNÚ BRÁNU
- (EE) KAHEKSARATTALINE SUPORT KONSOLVÄRAVA JAOKS
- (LT) VEŽIMĖLIS GEMBINIAMS VARTAMS SU AŠTUONIAIS RATUKAIS
- (LV) ASTOŅU RUĻĻU BLOKS KONSOLVEIDA VĀRTIEM

- (CZ) VOZÍK OSMIKOLOVÝ PRO POSUVNOU SAMONOSNOU BRÁNU
- (RO) CĂRUCIOR PE OPT ROȚI PENTRU POARTA AUTOPORTANTĂ ÎN CONSOLĂ
- (HR) NOSAČ S OSAM KOTAČA ZA KLIZNA DVORIŠNA VRATA
- (RUS) ВОСЬМИКОЛЕСНАЯ РОЛИКОВАЯ ТЕЛЕЖКА ДЛЯ ОТКАТНЫХ САМОНЕСУЩИХ ВОРОТ
- (SLO) VOZIČEK Z OSMIMI KOLESI ZA SAMONOSNA DRŠNA VRATA
- (TR) KONSOL BAHÇE KAPISI İÇİN SEKİZ TEKERLEKLİ TAŞIYICI
- (AR) عربة مزودة بشعبي عجلات للوابت المدعنة
- (CHN) 悬臂门八轮滑架
- (MAL) PENYORONG LAPAN RODA UNTUK PINTU PAGAR JULUR
- (H) NYOLCGÖRGŐS FUTÓKOCSI TOLÓKAPUHOZ
- (IL) קרונית שמנונה גלגלים לשער קונדולי
- (BG) КОЛИЧКА С ОСЕМ РОЛКИ ЗА КОНЗОЛНА ВРАТА
- (KO) 8개 휠이 있는 캔틸레버 게이트용 이송대
- (SRB) NOSAČ SA OSAM TOČKIČA ZA SAMONOSIVU KAPIJU

Art.	A	GUIDE	1pc		CODE
			kg	pcs	
SPEED M	8000	STAGE MB/MZ	9,9	2	1700010




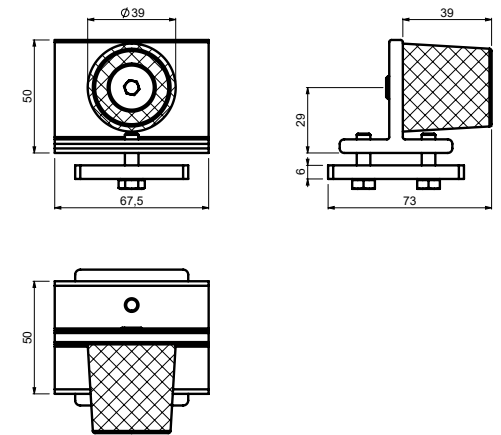
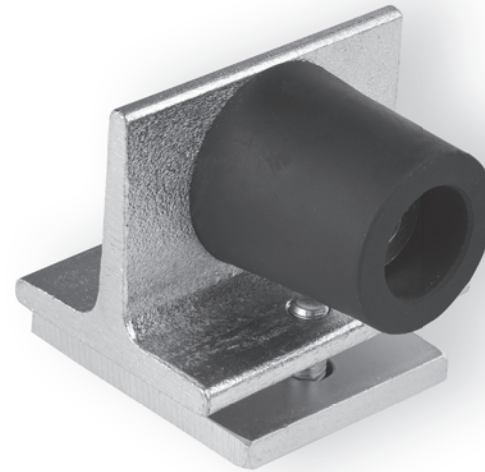
-  SUITABLE FOR INCLINED DRIVEWAY INSTALLATION
-  ASYMMETRIC EIGHT WHEELED CARRIAGE
-  C 2 HIGH QUALITY BEARINGS
- mono block** MONO BLOCK EIGHT WHEELED CARRIAGE
-  CARRIAGES CENTER HOLES MILLED NOT LASER CUT
-  MULTI RIVETED SECTIONS



- (GB) ASYMMETRIC EIGHT WHEELED CARRIAGE FOR CANTILEVER GATE
- (D) ROLLAPPARAT MIT ACHT ROLLEN FÜR FREITRAGENDE SCHIEBETÖRE
- (F) CHARIOT À HUIT ROUES POUR PORTAIL AUTOPORTANT
- (E) CARRIL DE OCHO RUEDAS PARA PUERTA VOLADIZA
- (P) CORREDIÇA DE OITO ROLDANAS PARA PORTÃO CANTILEVER
- (I) CARRELLO A OTTO RUOTE PER CANCELLO AUTOPORTANTE
- (DK) OTTE TRANSPORTHJUL TIL FRITBÆRENDE PORT
- (NL) ACHTVOUDIG WIELENBLOK VOOR VRIJDRAGENDE SCHUIFPOORT
- (N) ÅTTEHJULS DRIVSKINNE TIL FRITTBÆRENDE PORT
- (S) ATTAHJULIG VAGN FÖR FRIBÄRENDE GRIND
- (FIN) KAHEKSAN PYÖRÄN ALUSTA ULOKEKANNETIEISEEN PORTTIIN
- (PL) WÓZEK 8-ROLKOWY DO BRAM SAMONOŚNYCH
- (SK) VOZÍK OSEMKOLEČKOVÝ PRE POSUVNÚ SAMONOSNÚ BRÁNU
- (EE) KAHEKSARATTALINE SUPOORT KONSOLVÄRAVA JAOKS
- (LT) VEŽIMĖLIS GEMBINIAMS VARTAMS SU AŠTUONIAMS RATUKAIS
- (LV) ASTŌNU RUĻU BLOKS KONSOLVEIDA VĀRTIEM


- (CZ) VOZÍK OSMIKOLOVÝ PRO POSUVNOU SAMONOSNOU BRÁNU
- (RO) CĂRUCIOR PE OPT ROȚI PENTRU POARTA AUTOPORTANTĂ ÎN CONSOLĂ
- (HR) NOSAČ S OSAM KOTAČA ZA KLIZNA DVORIŠNA VRATA
- (RUS) ВОСЬМИКОЛЕСНАЯ РОЛИКОВАЯ ТЕЛЕЖКА ДЛЯ ОТКАТНЫХ САМОНЕСУЩИХ ВОРОТ
- (SLO) VOZIČEK Z OSMIMI KOLESI ZA SAMONOSNA DRSNNA VRATA
- (TR) KONSOL BAHÇE KAPISI İÇİN SEKİZ TEKERLEKLİ TAŞIYICI
- (AR) عربة مزودة بشعالي عجلات اللولب المدعومة
- (CHN) 悬臂门八轮滑架
- (MAL) PENYORONG LAPAN RODA UNTUK PINTU PAGAR JULUR
- (H) NYOLCGÖRGŐS FUTÓKOCSI TOLÓKAPUHOZ
- (IL) קרונית שמונה גלגלים לשער קומודולי
- (BG) КОЛИЧКА С ОСЕМ РОЛКИ ЗА КОНЗОЛНА ВРАТА
- (KO) 8개 휠이 있는 캔틸레버 게이트용 이송대
- (SRB) NOSAČ SA OSAM TOČKIĆA ZA SAMONOSIVU KAPIJU

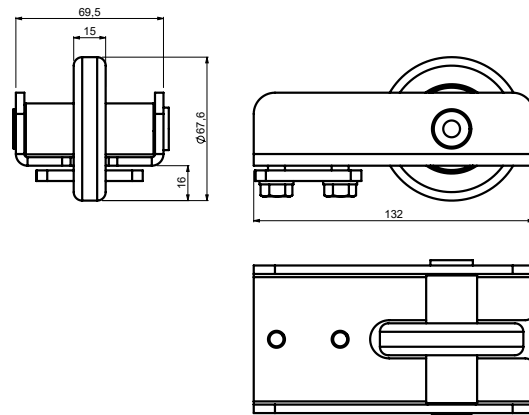
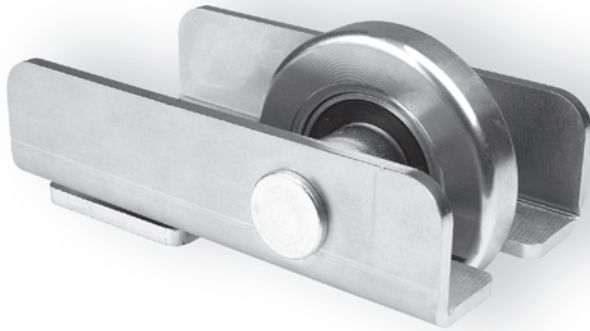
Art.	A	GUIDE	1pc			CODE
	max. mm		kg	pcs	kg	
SPEED MEK	8000	STAGE MB/MZ	9	2	18	1700190



- (GB) INTERNAL GUIDE END STOP
- (D) INNENANSCHLAG FÜR „C“ PROFIL
- (F) BUTÉE INTERNE POUR GUIDE
- (E) TOPE FINAL DE GUÍA INTERNA
- (P) BATERENTE GUIA INTERNA
- (I) FERMO DI FINE CORSA DELLA GUIDA INTERNA
- (DK) INTERN VANGEENDESTOP
- (NL) INTERNE GELEIDER EINDSTOP
- (N) ENDESTOPPER TIL INNVENDIG SKINNE
- (S) INTERNT GEJDÄNDSTOPP
- (FIN) SISÄINEN OHJAIMEN PÄÄN PYSÄYTIN
- (PL) WEWNĘTRZNY ODBOJNIK SZYNY
- (SK) DORAZ VNÚTORNÝ PRE NOSNÝ „C“ PROFIL
- (EE) SISEJUHIKU OTSALÖPP
- (LT) VIDINIO KREIPTUVO GALINIS RIBOKLIS
- (LV) IEKŠĒJAS VADOTNES GALA AIZTURIS

- (CZ) DORAZ VNITŘNÍ PRO ŠÍNU „C“ PROFIL
- (RO) GHIDAJ CAPĂT FINAL INTERN
- (HR) UNUTARNJI GRANIČNIK VODILICE
- (RUS) ВНУТРЕННИЙ ОГРАНИЧИТЕЛЬ НАПРАВЛЯЮЩЕГО РЕЛЬСА «С»
- (SLO) ZAUSTAVLJALNIK NOTRANJEGA VODILA
- (TR) DAHİLİ KIZAK UÇ TESPİT PARÇASI
- (AR) ممانع طرفي داخلي
- (CHN) 内导轨终点挡块
- (MAL) PENYENDAL Hujung Pandu Dalam
- (H) VEZETŐSÍN BELSŐ ÜTKÖZŐ
- (IL) מעצור פנימי גומי לקרויה
- (BG) Вътрешен стопер за релса
- (KO) 내부 가이드 종단 장치대
- (SRB) UNUTRAŠNJI GRANIČNIK VODICE

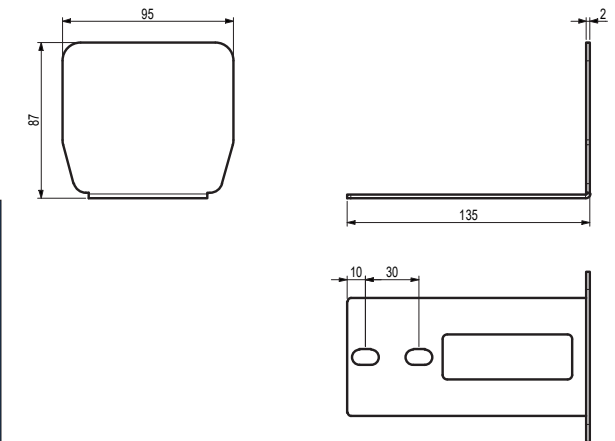
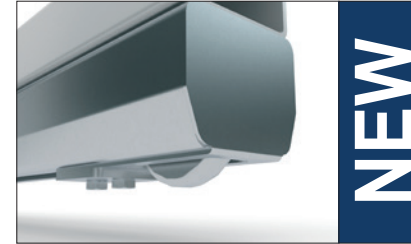
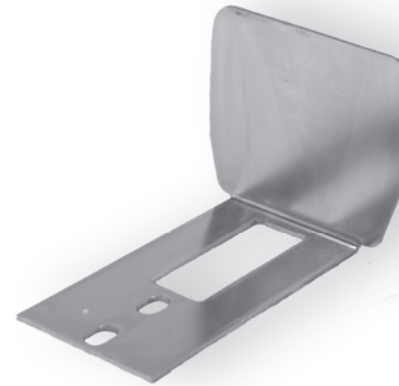
Art.	GUIDE	1pc			CODE
			pcs	kg	
FINISH M	STAGE MB/MZ	0,48	10	4,8	1700017



- (GB) GUIDE SUPPORT WHEEL FOR CANTILEVER GATE
- (D) STÜTZRAD FÜR FREITRAGENDE SCHIEBETORE
- (F) ROUE DE SUPPORT DE GUIDE POUR PORTAIL AUTOPORTANT
- (E) RUEDA CON SOPORTE DE GUÍA PARA PUERTA VOLADIZA
- (P) ROLDANA DE SUPORTE GUIA PARA PORTÃO CANTILEVER
- (I) RUOTA DI SOSTEGNO DELLA GUIDA PER CANCELLO AUTOPORTANTE
- (DK) VANGESTØTTEHJUL TIL FRITBÆRENDE PORT
- (NL) DRAAGWIEL VOOR GELEIDING VRIJDRAGENDE SCHUIFPOOR
- (N) STYRESKINNE FOR STØTTEHJUL TIL FRITTBÆRENDE PORT
- (S) STÖDHJUL FÖR FRIBÄRANDE GRIND
- (FIN) OHJAIMEN TUKIPYÖRÄ ULOKEKANNETIEISEEN PORTTIIN
- (PL) ROLKA NAJAZDOWA DO BRAM SAMONOŚNYCH
- (SK) NÁBEH S KLADKOU PRE POSUVNÚ SAMONOSNÚ BRÁNU
- (EE) JUHI TUGIRATAS KONSOOLVÄRAVA JAOKS
- (LT) KREIPTUVO ATRAMOS RATUKAS GEMBINIAMS VARTAMS
- (LV) VADOTNES BALSTA RULLĪTIS KONSOLVEIDA VĀRTIEM

- (CZ) NÁBĚH S KLADKOU PRO POSUVNOU SAMONOSNOU BRÁNU
- (RO) ROATĂ DE SUSȚINERE GHIDAJ PENTRU POARTA AUTOPORTANTĂ ÎN CONSOLĂ
- (HR) NOSIVI KOTAČ VODILICE ZA KLIZNA DVORIŠNA VRATA
- (RUS) КОНЦЕВОЙ РОЛИК ДЛЯ ОТКАТНЫХ САМОНЕСУЩИХ ВОРОТ
- (SLO) PODPORNO KOLO VODILA ZA SAMONOSNA DRŠNA VRATA
- (TR) KONSOL BAHÇE KAPISI İÇİN KIZAK DESTEK TEKERLEĞİ
- (AR) عجلة دعم ذليعية للوابية المدعومة
- (CHN) 悬臂门导轨支轮
- (MAL) RODA SOKONGAN PANDU UNTUK PINTU PAGAR JULUR
- (H) VEZETŐ, MEGTÁMASZTÓ GÖRGŐ TOLÓKAPUHOZ
- (IL) גלגל תומך לשיער קונזולי
- (BG) РОЛКА ЗА РЕЛСА ЗА КОНЗОЛНА ВРАТА
- (KO) 캔틸레버 게이트용 가이드 지지 휠
- (SRB) NOSEĆI TOČKIĆ VODIČE ZA SAMONOSIVU KAPIJU

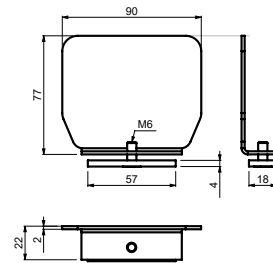
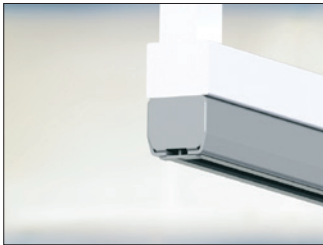
Art.	GUIDE	1pc			CODE
		kg	pcs	kg	
RUN M	STAGE MB/MZ	1,11	10	11,1	1700013



- (GB) END CAP WITH BOTTOM PLATE FOR CANTILEVER M GUIDE WHEEL
- (D) ENDKAPPE MIT BODENPLATTE FÜR CANTILEVER M-FÜHRUNGSRAD
- (F) CACHE D'EXTRÉMITÉ AVEC PLATINE BASSE POUR ROULETTE DE GUIDAGE PORTE-À-FAUX M
- (E) TAPA FINAL CON PLACA INFERIOR PARA RUEDA GUÍA EN VOLADIZO M
- (P) TAMPA DE EXTREMIDADE COM PLACA INFERIOR PARA RODA GUÍACANTILEVER M
- (I) CAPPUCCIOTERMINALE CON PIASTRINFERIORE PER RUOTADI GUIDACANTILEVER M
- (DK) ENDEKAPPE MED BUNNPLADE TIL M-STYREHJUL TIL UDKRAGNING
- (NL) AFDEKKAP MET BODEMPLAAT VOOR LEIWIJEL VAN CANTILEVER M
- (N) ENDEKAPPE MED BUNNPLATE FOR M-FORMET STYREHJUL TIL UTLIGGER
- (S) ÄNDKÅPA MED BOTTENPLATTA FÖR KONSOL M-STYRHJUL
- (FIN) PÄÄTYKAPPALE JA POHJALEVY ULOKEPALKIN S-OHJASPYÖRÄÄ VARTEN
- (PL) ZAŚLEPKA Z DOLNĄ PŁYTKĄ DO KOŁA PROWADZĄCEGO SYSTEMÓW WSPORNIKOWYCH TYPU M
- (SK) SPODNÁ KONCOVÁ PÄTICA VODIACEHO KOLIESKA SAMONOSNEJ POSUVNEJ BRÁNY M
- (EE) ALUSPLAADIGA OTSAKORK TIIBVÄRAVA M JUHTRATTALE
- (LT) GALINIS DANGTELIS SU APATINE PLOKŠTELE, SKIRTAS KONSOLINIŲ VARTŲ S KREIPIAMAJAM RATUKUI
- (LV) GALA UZGALIS AR APAKŠĒJO PLĀKŠNI ZOBSTIEŅĀM VIRZOŠAJAM RITENIM

- (CZ) ZÁSLEPKA PRO ŠINU
- (RO) CAPAC DE ÎNCHIDERE CU PLACĂ INFERIOARĂ PENTRU ROATĂ DE GHIDARE CANTILEVER M
- (HR) ZAVRŠNI ČEP S DONJOM PLOČOM ZA KOTAČ VODILICE CANTILEVER S
- (RUS) ТОРЦЕВАЯ ПЛАНКА С НИЖНЕЙ ПЛАСТИНОЙ ДЛЯ НАПРАВЛЯЮЩЕГО КОЛЕСА САМОНЕСУЩИХ ОТКАТНЫХ ВОРОТ M
- (SLO) POKROV S SPODNJO PLOŠČO ZA VODILNO KOLESECE ZA SISTEM CANTILEVER M
- (TR) KONSOL KIRIŞ S KILAVUZ TEKERLEĞİ İÇİN ALT PLAKALI UÇ KAPAĞI
- (AR) عماء طرفي مع لوحة نظيفة لعجلة التوجيه حرف S للوابية الكابولية
- (CHN) 用于悬臂梁S号向轮的带底板端盖
- (MAL) TUKUP HUJUNG DENGAN PLAT BAWAH UNTUK RODA PANDU JULUR M
- (H) VÉGZÁRÓ TALPLEMEZZEL M ÚSZÖKAPU VEZETŐKERÉKHEZ
- (IL) עבור שיער קונזולי S כיוסי קצה עם פלטה תחתונה לגלגל מוביל מסוג
- (BG) НАКРАЙНИК С ДОЛНА ПЛОЧА ЗА ВОДЕЩО КОЛЕЛО ЗА КОНЗОЛНИ ВПАТИ М
- (KO) 캔틸레버 M 가이드 휠용 하부 플레이트 일체형 엔드캡
- (SRB) ZAVRŠNI ČEP M DONJOM PLOČOM ZA KOTAČ VODILICE CANTILEVER S

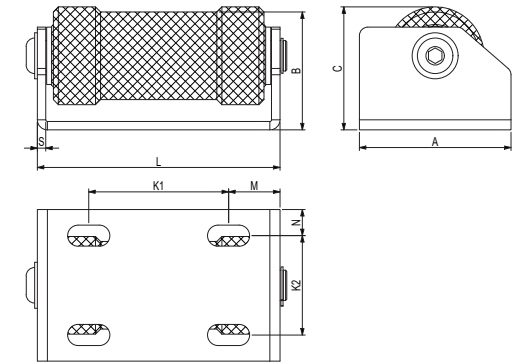
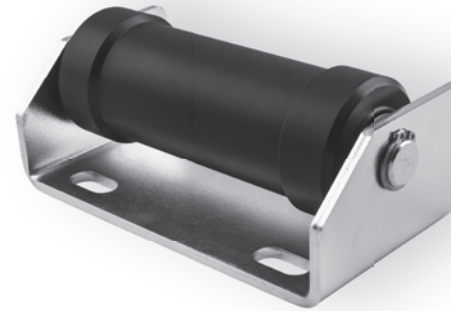
Art.	GUIDE	1pc			CODE
		kg	pcs	kg	
PILOT MR	STAGE MB/MZ	0,23	10	2,3	1700405



- (GB) GUIDE END CAP WITH SCREW, INDEPENDENT
- (D) ABSCHLUSSKAPPE FÜR „C“ PROFIL AUS STAHL MIT SCHRAUBE
- (F) CACHE D'EMBOU DE GUIDE AVEC VIS, INDEPENDANT
- (E) TOPE FINAL DE GUÍA CON TUERCA, INDEPENDIENTE
- (P) TAMPA FINAL GUIA COM PARAFUSO, INDEPENDENTE
- (I) COPERTURA TERMINALE DELLA GUIDA CON VITE, INDEPENDENTE
- (DK) VANGEENDEHÆTTE MED SKRUE, UAFHÆNGIG
- (NL) GELEIDER EINDKAP MET SCHROEF, ONAFHANKELIJK
- (N) ENDEBESLAG FOR SKINNE MED SKRUE, UAVHENGIG
- (S) GEJD SKYDDSKÅPA MED SKRUV, OBEROENDE
- (FIN) OHJAIMEN PÄÄN RUUVILLINEN KANSI, ERILLINEN
- (PL) ZAŚLEPKA KOŃCOWA SZYNY ZE ŚRUBĄ, NIEZALEŻNA
- (SK) ZÁŠLEPKA PRE NOSNÝ „C“ PROFIL, NEZÁVISLÁ SO SKRUTKOU
- (EE) JUHIKU OTSAKORK KRUVIGA, ERALDI
- (LT) GALINIS KREIPTUVO DANGTELIS SU SRIEGIU, ATSKIRAS
- (LV) VADOTNES GALA VĀKS AR SKRŪVI, NEATKARĪGS

- (CZ) ZÁŠLEPKA PRO ŠÍNU „C“ PROFIL, NEZÁVISLÁ SE ŠROUBEM
- (RO) OPRITOR CURSĂ ACOPERIRE GHIDAJ CU FILET, INDEPENDENT
- (HR) ČEP VODILICE S VIJAKOM, NEOVISAN
- (RUS) ЗАГЛУШКА НАПРАВЛЯЮЩЕГО РЕЛЬСА «С», НЕЗАВИСИМАЯ, С ВИНТОМ
- (SLO) ZAKLJUČNI POKROV VODILA Z VIJAKOM, NEODVISEN
- (TR) VİDALI KIZAK UÇ LASTIĞI, BAĞIMSIZ
- (AR) غطاء طرفي دليلي مع برغي، مستقل
- (CHN) 导轨独立式螺钉紧固端盖
- (MAL) PENUTUP Hujung Pandu Dengan Skru, Bebas
- (H) VEZETŐSÍN LEZÁRÓ-ELEM CSAVARRAL, FÜGGETLEN
- (IL) מססה קצה קורה קונדוליית עם בורג, עצמאי
- (BG) КРАЙНА КАПАЧКА ЗА РЕЛСА С ВИИТ, САМОСТОЯТЕЛНА
- (KO) 나사가 있는 가이드 종단 캡, 독립식
- (SRB) ČEP VODICE SA ZAVRTNEM, NEZAVISAN

Art.	GUIDE	1pc			CODE
			pcs	kg	
PILOT MN	STAGE MB/MZ	0,15	10	1,5	1700016



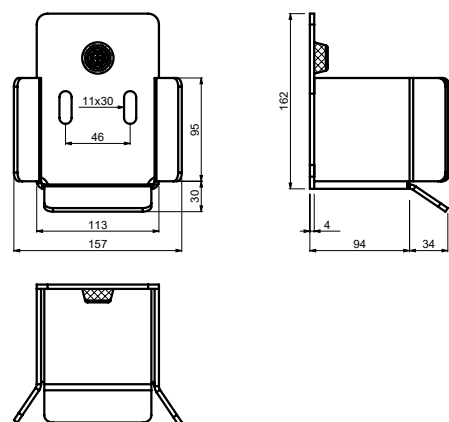
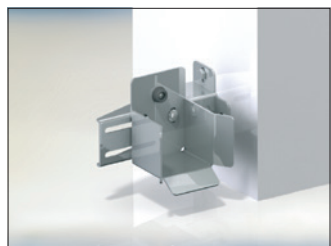
- (GB) SUPPORT ROLLER FOR CANTILEVER GATE
- (D) STÜTZROLLE FÜR AUSLEGERTOR
- (F) ROULEAU DE SUPPORT POUR PORTAIL COULISSANT AUTOPORTANT
- (E) RODILLO DE SOPORTE PARA PORTÓN EN VOLADIZO
- (P) ROLÓ DE SUPORTE PARA PORTÃO DE CANTILEVER
- (I) RULLO DI SOSTEGNO PER CANCELLO AUTOPORTANTE
- (DK) STØTTERULLE TIL FRITBÆRENDE PORT
- (NL) STEUNROL VOOR SCHUIFPOORT
- (N) STØTTERULLE FOR RULLEPORT
- (S) STÖDRULLA FÖR FRIBÄRANDE GRIND
- (FIN) TUKIRULLA ULOKEPORTTIIN
- (PL) ROLKA DOŁNA DO BRAMY SAMONOŚNEJ
- (SK) PODPORNÝ VALEC PRE SAMONOSNÉ BRÁNY
- (EE) TUGIRULLIK KONSOLVÁRAVA JAOKS
- (LT) ATRAMINIS RITINĖLIS GEMBINIAMS VARTAMS
- (LV) BALSTA RULLĪTIS KONSOLVEIDA VĀRTIEM

- (CZ) KONZOLA S KLDKOU PRO PODPĚRU POSUVNÉ SAMONOSNÉ BRÁNY
- (RO) ROLĂ DE SUSȚINERE PENTRU POARTA ÎN CONSOLĂ
- (HR) POTPORNI VALJAK ZA NOSIVA VRATA
- (RUS) ОПОРНЫЙ РОЛИК ДЛЯ САМОНЕСУЩИХ ВОРОТ
- (SLO) PODPORNI VALJ ZA SAMONOSNA DRSNA VRATA
- (TR) MANİVELA KAPİ İÇİN DESTEK MAKARASI
- (AR) اسطوانة الدعم لوابية الكابول
- (CHN) 悬臂门支撑辊
- (MAL) PENGGELEK SOKONGAN UNTUK GET JULUR
- (H) TARTÓGÖRGŐ TOLÓKAPUHOZ
- (IL) גלגל תמיכה לשיער קונדולי
- (BG) ПОДДЪРЖАЩА РОЛКА ЗА КОНЗОЛНА ВРАТА
- (KO) 캔틸레버 게이트용 지지 롤러
- (SRB) NOSEĆI VALJAK ZA SAMONOSIVU KAPIJU

Art.	L	A	B	C	J	K1	K2	M	N	S	1pc				CODE
												kg	pcs	kg	
DRIVESHAFT 80	144	90	70	73	13x25	107	60	31	15	5	1,37	4	5,48	1700332	
DRIVESHAFT 100	169	90	70	73	13x25	107	60	31	15	5	1,56	4	6,24	1700333	



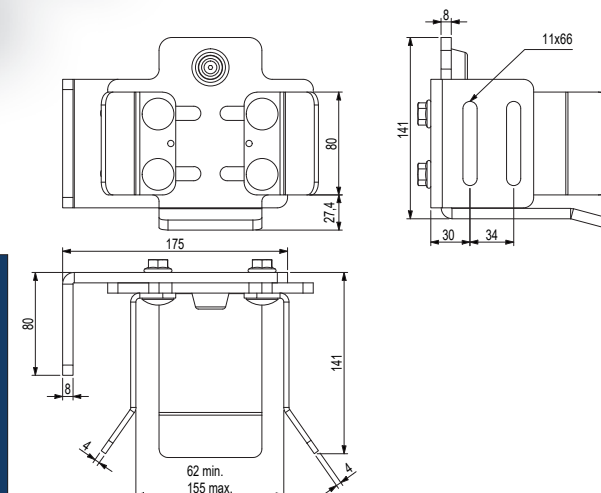
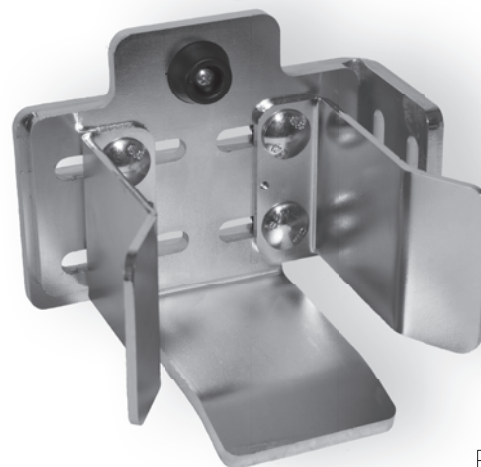
DESIGNED FOR
STRAIGHT ROLLING
MOVEMENT



- (GB) END STOP FOR CANTILEVER GATE
- (D) EINLAUFSCHUH FÜR FREITRAGENDE SCHIEBETORE
- (F) BUTÉE POUR PORTAIL AUTOPORTANT
- (E) TOPE FINAL PARA PUERTA VOLADIZA
- (P) BATERTE PARA PORTÃO CANTILEVER
- (I) FERMO DI FINE CORSA PER CANCELLO AUTOPORTANTE
- (DK) ENDESTOP TIL FRITTBÆRENDE PORT
- (NL) EINDSTOP VOOR VRIJDRAGENDE SCHUIFPOORT
- (N) ENDESTOPPER FOR FRITTBÆRENDE PORT
- (S) ÄNDSTOPP FÖR FRIBÄRANDE GRIND
- (FIN) PÄÄTYPYSÄYTIN ULOKEKANNETIEISEEN PORTTIIN
- (PL) ODBOJNIK DO BRAM SAMONOŚNYCH
- (SK) DOJAZDOVÁ KAPSA SPODNÁ PRE POSUVNÚ SAMONOSNÚ BRÁNU
- (EE) OTSALÖPP KONSOOLVÄRAVA JAOKS
- (LT) GALINIS RIBOKLIS GEMBINIAMS VARTAMS
- (LV) GALA AIZTURIS KONSOLVEIDA VĀRTIEM

- (CZ) DOJAZDOVÁ KAPSA SPODNÍ PRO POSUVNOU SAMONOSNOU BRÁNU
- (RO) OPRITOR CURSĂ PENTRU POARTA AUTOPORTANTĂ ÎN CONSOLĂ
- (HR) GRANIČNIK ZA KLIZNA DVORIŠNA VRATA
- (RUS) УПРАВЛИТЕЛЬ НИЖНИЙ ДЛЯ ОТКАТНЫХ САМОНЕСУЩИХ ВОРОТ
- (SLO) ZAUSTAVLJALNIK ZA SAMONOSNA DRŠNA VRATA
- (TR) KONSOL BAŇÇE KAPISI İÇİN UÇ TESPİT PARÇASI
- (AR) المانع الطرفي للبوابة المدعومة
- (CHN) 悬臂门终点挡块
- (MAL) PENYENDAL Hujung Untuk Pintu Pagar Julur
- (H) ÜTKÖZŐ TOLÓKAPUHOZ
- (IL) מקביל קצה לשער קונדולי מסוג
- (BG) СТОПЕР ЗА КОНЗОЛНА ВРАТА
- (KO) 캔틸레버 게이트용 중단 장치대
- (SRB) GRANIČNIK ZA SAMONOSIVU KAPIJU

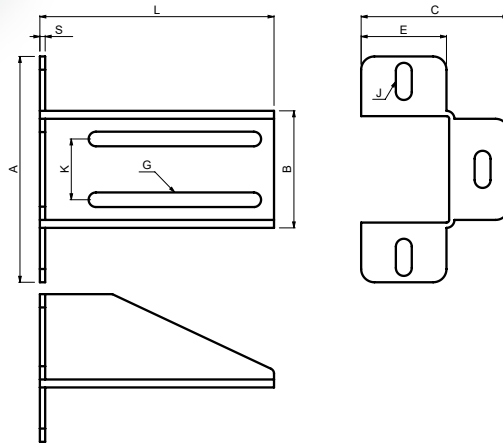
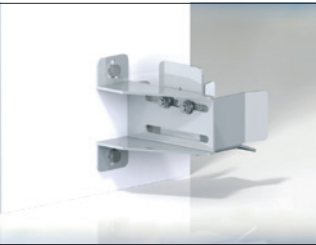
Art.	GUIDE	1pc		CODE
		kg	pcs kg	
LAST M	STAGE MB/MZ	1,96	2 3,92	1700014



- (GB) ADJUSTABLE ALIGNMENT END STOP FOR CANTILEVER HARDWARE
- (D) VERSTELBARER AUSRICHTUNGSENDANSCHLAG FÜR CANTILEVER BESCHLÄGE
- (F) BUTÉE D'ALIGNEMENT RÉGLABLE POUR MODÈLE PORTE-À-FAUX
- (E) TOPE FINAL DE ALINEACIÓN AJUSTABLE PARA HERRAJES EN VOLADIZO
- (P) BATERTE FINAL DE ALINHAMENTO AJUSTÁVEL PARA FERRAGENS CANTILEVER
- (I) FERMO DI FINE CORSA REGOLABILE PER FERRAMENTA CANTILEVER
- (DK) JUSTERBART ENDESTOP TIL BESLAG TIL UDKRAGNING
- (NL) VERSTELBARE EINDSTOP VOOR CANTILEVER HARDWARE
- (N) JUSTERBART ENDESTOPP FOR BESLAG TIL UTLLIGGER
- (S) JUSTERBART ÄNDSTOPP FÖR BESLAG KONSOL M-MAX
- (FIN) KOHDISTUKSELTAAN SÄÄDETTÄVÄ PÄÄTYPYSÄYTIN ULOKEPALKIN LAITTEISTOA VARTEN
- (PL) REGULOWANY OGRANICZNIK KOŃCOWY DO WYRÓWNIANIA ELEMENTÓW SYSTEMÓW WSPORNIKOWYCH TYPU
- (SK) NASTAVITELNÝ KONCOVÝ DORAZ KOVANIA SAMONOSNEJ POSUVNEJ BRÁNY S
- (EE) REGULEERITAV OTSAKORK TIBVÄRAVALE
- (LT) REGULIUOJAMAS IŠLYGIAVIMO GALINIS RIBOTUVAS, KIRTAS KONSOLINIŲ VARTŲ ĮRANGAI
- (LV) REGULĒJAMS IZLĪDZINĀŠANAS GALAPUNKTS ZOBSTIENĀ APARATŪRAI

- (CZ) NASTAVITELNÝ KONCOVÝ DORAZ PRO KONZOLOVÉ KOVÁNÍ
- (RO) OPRITOR DE ALINIERE REGLABIL PENTRU FERONERIE CANTILEVER
- (HR) PODESIVI GRANIČNIK ZA PORAVNANJE ZA OKOV CANTILEVER
- (RUS) РЕГУЛИРУЕМЫЙ ВЫРАВНИВАЮЩИЙ КОНЦЕВОЙ УПОР ДЛЯ ФУРНИТУРЫ САМОНЕСУЩИХ ОТКАТНЫХ ВОРОТ
- (SLO) NASTAVLJIVI PORAVNALNI KONČNI OMEJEVALNIK ZA OKOVJE CANTILEVER
- (TR) KONSOL KIRIŞ DONANIMI İÇİN AYARLANABİLİR HIZALAMA UÇ DURDURUCU
- (AR) مصعد المحاذة الطرفي القابل للتصحيح للتهيئة حرف S للبوابة الكابولية
- (CHN) 用于悬臂梁S五金件的可调式定位端部止动器
- (MAL) ADANG Hujung PENAJARAN BOLEH LARAS UNTUK PERKAKASAN JULUR
- (H) ÁLLÍTHATÓ ÜTKÖZŐ AZ ÚSZÓKAPU VASALATHOZ
- (IL) מעצור קצה מתכוונן לישר שער קונדולי מסוג
- (BG) РЕГУЛИРУЕМ КРАЕН ОГРАНИЧИТЕЛ ЗА ОБКОВ ЗА КОНЗОЛНИ ВРАТИ
- (KO) 캔틸레버 S 하드웨어용 조절식 장철 앤드 스톱
- (SRB) PODESIVI GRANIČNIK ZA PORAVNANJE ZA OKOV CANTILEVER

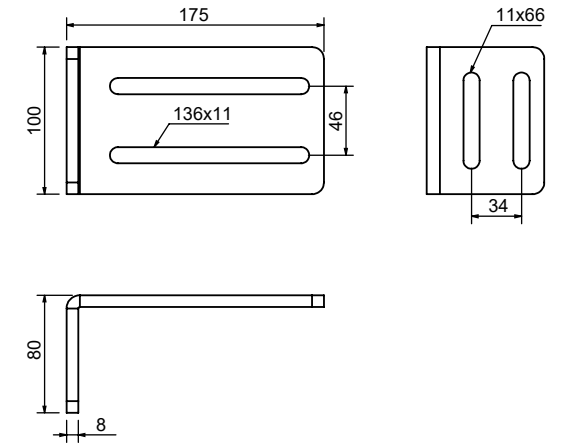
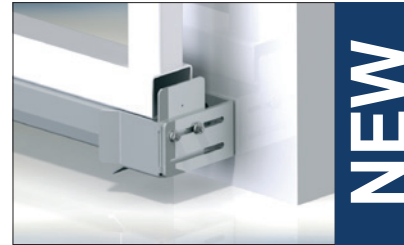
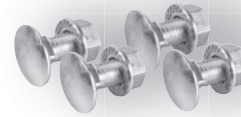
Art.	GUIDE	1pc		CODE
		kg	pcs kg	
LAST SMK	STAGE SB/SZ/MB/MZ	3,75	1 3,75	1700398



- (GB) END STOP BRACKET
- (D) KONSOLE FÜR EINLAUFSCHUH
- (F) ÉTRIER POUR BUTÉE
- (E) SOPORTE DE TOPE FINAL
- (P) SUPORTE DE BATENTE
- (I) STAFFA PER FERMO DI FINE CORSA
- (DK) ENDESTOP BESLAG
- (NL) EINDSTOP BEVESTIGINGSBEUGEL
- (N) STOPPEBRAKETT
- (S) ÄNDSTOPP KONSOL
- (FIN) PÄÄTYPYSÄYTTIMEN KANNATIN
- (PL) WSPORNIK ODBOJNIKA
- (SK) KONZOLA PRE DOJAZDOVÚ KAPSU
- (EE) OTSALÕPU KLAMBER
- (LT) GALINIO RIBOKLIO GEMBĖ
- (LV) GALA AIZTURA KRONŠTEINS

- (CZ) KONZOLA PRO DOJEZDOVOU KAPSU
- (RO) OPRITOR CURSĂ CONSOLĂ
- (HR) KONZOLA GRANIČNIKA
- (RUS) КРОНШТЕЙН УЛАВЛИВАТЕЛЯ
- (SLO) OPORNIK ZAUSTAVLJALNIKA
- (TR) UÇ TESPİT PARÇASI DİRSEĞİ
- (AR) سنادة المانع الطرفي
- (CHN) 终点挡块支座
- (MAL) PENDAKAP PENYENDAL HUJUNG
- (H) ÜTKÖZŐ-KERET
- (IL) תופסו למקביל קצה
- (BG) СКОБА ЗА СТОПЕР
- (KO) 종단 정지대 브래킷
- (SRB) KONZOLA GRANIČNIKA

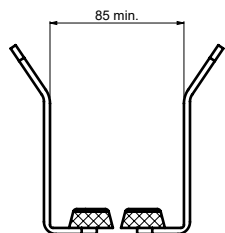
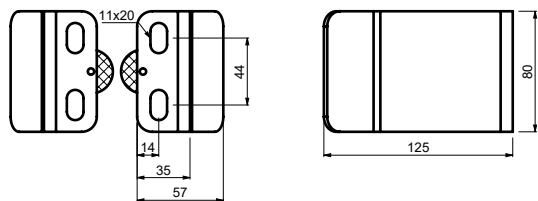
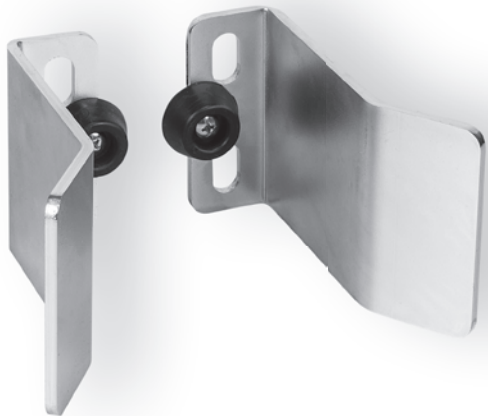
Art.	L	A	B	C	E	G	J	K	S	END STOP	1pc			CODE
											kg	pcs	kg	
	mm													
PARK	175	170	88	95	50	11x132	12x30	46	4	LAST/PADDOCK	1,11	2	2,22	1700006
PARK 240	245	170	88	95	50	11x200	12x30	46	4	LAST/PADDOCK	1,35	2	2,7	1700196



- (GB) END STOP BRACKET
- (D) KONSOLE FÜR EINLAUFSCHUH
- (F) ÉTRIER POUR BUTÉE
- (E) SOPORTE DE TOPE FINAL
- (P) SUPORTE DE BATENTE
- (I) STAFFA PER FERMO DI FINE CORSA
- (DK) ENDESTOP BESLAG
- (NL) EINDSTOP BEVESTIGINGSBEUGEL
- (N) STOPPEBRAKETT
- (S) ÄNDSTOPP KONSOL
- (FIN) PÄÄTYPYSÄYTTIMEN KANNATIN
- (PL) WSPORNIK ODBOJNIKA
- (SK) KONZOLA PRE DOJAZDOVÚ KAPSU
- (EE) OTSALÕPU KLAMBER
- (LT) GALINIO RIBOKLIO GEMBĖ
- (LV) GALA AIZTURA KRONŠTEINS

- (CZ) KONZOLA PRO DOJEZDOVOU KAPSU
- (RO) OPRITOR CURSĂ CONSOLĂ
- (HR) KONZOLA GRANIČNIKA
- (RUS) КРОНШТЕЙН УЛАВЛИВАТЕЛЯ
- (SLO) OPORNIK ZAUSTAVLJALNIKA
- (TR) UÇ TESPİT PARÇASI DİRSEĞİ
- (AR) سنادة المانع الطرفي
- (CHN) 终点挡块支座
- (MAL) PENDAKAP PENYENDAL HUJUNG
- (H) ÜTKÖZŐ-KERET
- (IL) תופסו למקביל קצה
- (BG) СКОБА ЗА СТОПЕР
- (KO) 종단 정지대 브래킷
- (SRB) KONZOLA GRANIČNIKA

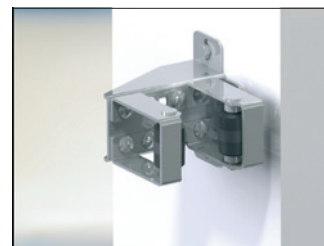
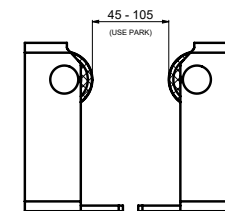
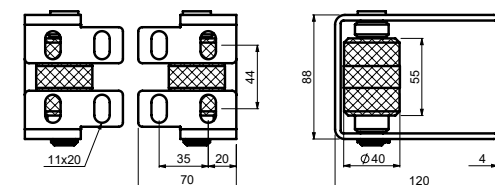
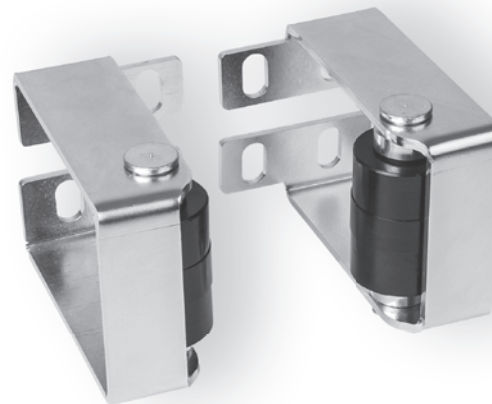
Art.	BRACKET	1pc		CODE
		kg	pcs	
PARK CSM	LAST/PADDOCK	1,36	2	1700359
PARK CSM 240	LAST/PADDOCK	1,72	2	1700399



- (GB) END STOP
- (D) ENDANSCHLAG
- (F) BUTÉE
- (E) TOPE FINAL
- (P) FIM DE CURSO
- (I) ARRESTO TERMINALE
- (DK) ENDESTOP
- (NL) EINDSTOP
- (N) ENDESTOPP
- (S) ÄNDSTOPP
- (FIN) RAJOITIN
- (PL) ZDERZAK KRAŃCOWY
- (SK) DORAZ
- (EE) OTSA LÖPP
- (LT) GALINIS RIBOKLIS
- (LV) GALA AIZTURIS

- (CZ) KONCOVÝ DORAZ
- (RO) OPRITOR FINAL
- (HR) GRANIČNIK
- (RUS) КОНЦЕВОЙ УПОР
- (SLO) KONČNI ELEMENT
- (TR) UÇ TIPASI
- (AR) نقطة التوقف
- (CHN) 限位挡块
- (MAL) ADANG Hujung
- (H) VÉGÜTKÖZŐ
- (IL) מקבל קצה עם מעצור גומי
- (BG) СТОПЕР
- (KO) 종단 장치대
- (SRB) GRANIČNIK

Art.	BRACKET	1pc		CODE
		kg	pcs	
PADDOCK SM	PARK/PARK 240/ PARK CSM	0,78	2	1700194

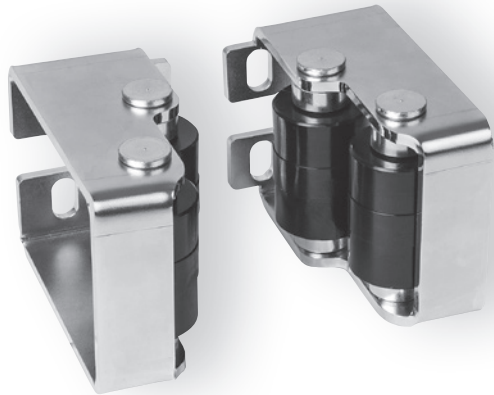


- (GB) END STOP WITH ROLLER
- (D) ENDANSCHLAG MIT ROLLE
- (F) BUTÉE AVEC ROULEAU
- (E) TOPE FINAL CON RODILLO
- (P) FIM DE CURSO COM ROLO
- (I) ARRESTO TERMINALE CON RULLO
- (DK) ENDESTOP MED VALSE
- (NL) EINDSTOP MET ROLLEN
- (N) ENDESTOPP MED RULLE
- (S) ÄNDSTOPP MED RULLE
- (FIN) RAJOITIN RULLALLA
- (PL) ZDERZAK KRAŃCOWY Z ROLKĄ
- (SK) DORAZ S VALČEKOM
- (EE) OTSALÖPP RULLIKUGA
- (LT) GALINIS RIBOKLIS SU RITINĖLIU
- (LV) GALA AIZTURIS AR RULLĪTI

- (CZ) KONCOVÝ DORAZ S Kladkou
- (RO) OPRITOR FINAL CU ROLĂ
- (HR) GRANIČNIK S VALJKOM
- (RUS) КОНЦЕВОЙ УПОР С РОЛИКОМ
- (SLO) KONČNI ELEMENT S KOLESCEM
- (TR) MAKARALI UÇ TIPASI
- (AR) نقطة التوقف المزودة بكرة
- (CHN) 帶轆子的限位挡块
- (MAL) ADANG Hujung DENGAN PENGGELEK
- (H) VÉGÜTKÖZŐ GÖRGŐVEL
- (IL) מקבל קצה עם גלגלי אוקולין
- (BG) СТОПЕР С РОЛКА
- (KO) 롤러가 있는 종단 장치대
- (SRB) GRANIČNIK SA VALJKOM

Art.	BRACKET	1pc		CODE
		kg	pcs	
PADDOCK 2	PARK/PARK 240/ PARK CSM	1,4	2	1700182

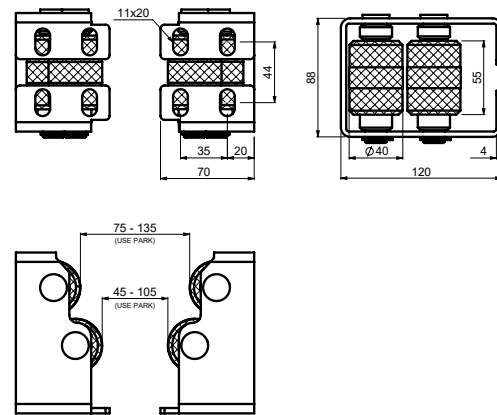
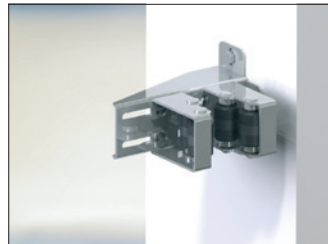




CAIS INNOVATION




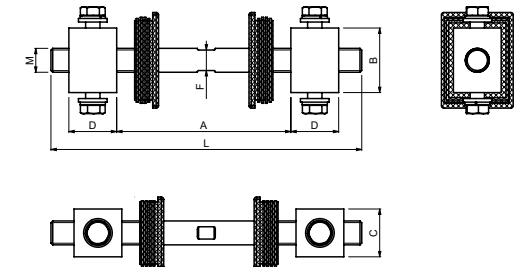
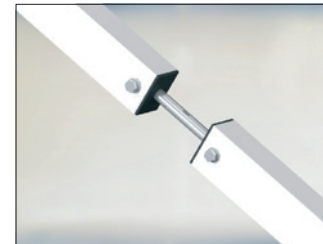
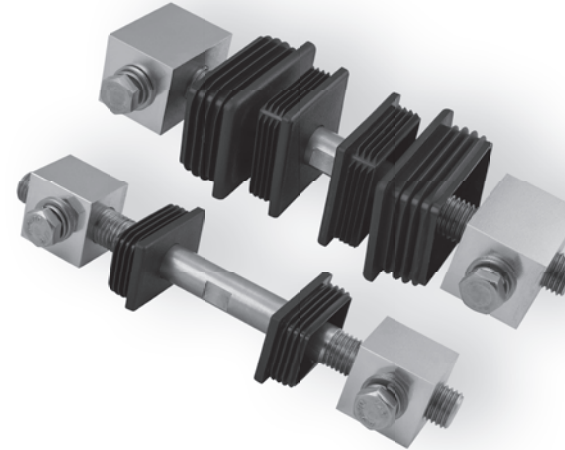
FAIL-SAFE ROLLER MECHANISM



- (GB) END STOP WITH ROLLER
- (D) ENDANSCHLAG MIT ROLLE
- (F) BUTÉE AVEC ROULEAU
- (E) TOPE FINAL CON RODILLO
- (P) FIM DE CURSO COM ROLO
- (I) ARRESTO TERMINALE CON RULLO
- (DK) ENDESTOP MED VALSE
- (NL) EINDSTOP MET ROLLEN
- (N) ENDESTOPP MED RULLE
- (S) ÄNDSTOPP MED RULLE
- (FIN) RAJOITIN RULLALLA
- (PL) ZDERZAK KRAŃCOWY Z ROLKĄ
- (SK) DORAZ S VALČEKOM
- (EE) OTSALÕPP RULLIKUGA
- (LT) GALINIS RIBOKLIS SU RITINĖLIU
- (LV) GALA AIZTURIS AR RULLĪTI



- (CZ) KONCOVÝ DORAZ S KLADKOU
- (RO) OPRITOR FINAL CU ROLĂ
- (HR) GRANIČNIK S VALJKOM
- (RUS) КОНЦЕВОЙ УПОР С РОЛИКОМ
- (SLO) KONČNI ELEMENT S KOLESCEM
- (TR) MAKARALI UÇ TIPASI
- (AR) نقطة التوقف المزودة بكرة
- (CHN) 帶繩子的限位擋塊
- (MAL) ADANG Hujung dengan PENGGELEK
- (H) VÉGÜTKÖZŐ GÖRGŐVEL
- (IL) מקביל קצה עם גלגלי איזוקולן
- (BG) СТОПЕР С РОЛКА
- (KO) 롤러가 있는 중단 장치대
- (SRB) GRANIČNIK SA VALJKOM

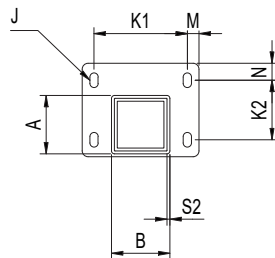
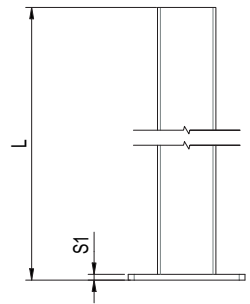
Art.	BRACKET	1pc			CODE
		kg	pc	kg	
PADDOCK 4	PARK/PARK 240/ PACK CSM	2,1	1	2,1	1700191



- (GB) ADJUSTABLE TENSION BAR FOR CANTILEVER GATE
- (D) EINSTELLBARE ZUGSTANGE FÜR AUSLEGERTOR
- (F) BARRE DE TENSION RÉGLABLE POUR PORTAIL COULISSANT AUTOPORTANT
- (E) BARRA TENSORA AJUSTABLE PARA PORTÓN EN VOLADIZO
- (P) BARRA DE TENSÃO AJUSTÁVEL PARA PORTÃO CANTILEVER
- (I) TIRANTE DI REGOLAZIONE PER CANCELLO AUTOPORTANTE
- (DK) JUSTERBAR SPÆNDINGSSTANG TIL FRITVÆRENDE PORT
- (NL) VERSTELBARE SPANNINGSBALK VOOR SCHUIFPOORT
- (N) JUSTERBAR STREKKSTANG FOR RULLEPORT
- (S) JUSTERBAR SPÄNNINGSSTANG FÖR FRIBÄRANDE GRIND
- (FIN) SÄÄDETTÄVÄ KIRISTYSTANKO ULOKEPORTTIIN
- (PL) REGULOWANA LISTWA NAPINAJĄCA DO BRAMY SAMONOŚNEJ
- (SK) NASTAVITELNÁ ŤAŽNÁ TYČ PRE SAMONOŠNÉ BRÁNY
- (EE) REGULĒERITAV PINGUTUSTALA KONSOLVÄRAVA JAOKS
- (LT) REGULIUOJAMA TRAUKĖ GEMBINIAMS VARTAMS
- (LV) REGULĒJAMS STIEPNIS KONSOLVEIDA VĀRTIEM

- (CZ) TENZNÍ TYČ S REGULACÍ PRO POSUVNOU SAMONOSNOU BRÁNU
- (RO) BARĂ DE TENSIUNE REGLABILĂ PENTRU POARTĂ ÎN CONSOLĂ
- (HR) PRILAGODLJIVA STEZNA ŠIPKA ZA NOSIVA VRATA
- (RUS) РЕГУЛИРУЕМЫЙ РАСТЯНУТЫЙ СТЕРЖЕНЬ ДЛЯ САМОНЕСУЩИХ ВОРОТ
- (SLO) NASTAVLJIV NAPENJALNI VZVOD ZA SAMONOSNA DRSNNA VRATA
- (TR) MANIVELA KAPI İÇİN AYARLANILABİLİR GERILİM ÇUBUĞU
- (AR) قضيب الشد القابل للتعديل لوابية الكابول
- (CHN) 可调节悬臂门拉杆
- (MAL) BAR TEGANGAN BOLEH LARAS UNTUK GET JULUR
- (H) ÁLLÍTHATÓ FESZÍTŐRŰD TOLÓKAPUHOZ
- (IL) מוט מתחיה מתכוונן לשער קנדולי
- (BG) РЕГУЛИРУЕМ ОБТЕГАЧ ЗА КОНЗОЛНА ВРАТА
- (KO) 캔틸레버 게이트용 조절식 인장대
- (SRB) PODESIVA ZATEZNA ŠIPKA ZA SAMONOSIVU KAPIJU

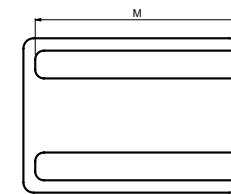
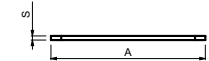
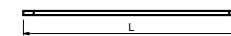
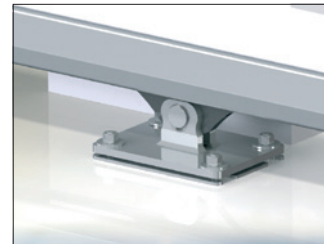
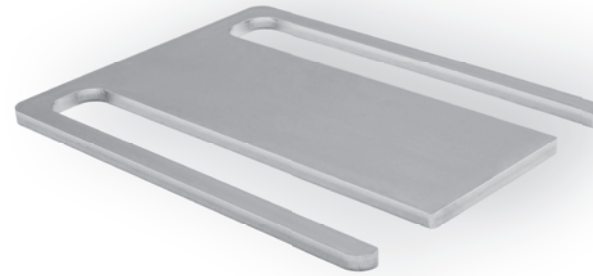
Art.		L	A min./max.	B	C	D	M	F	1pc				CODE		
										kg	pcs	kg			
													mm		
DIAGON 60	60x40	260	125 - 170	34	40	40	M20	17	1,39	2	2,78	1700237			
DIAGON 80	80x60/60x60	260	125 - 180	54	40	40	M20	17	1,95	2	3,9	1700238			



- (GB) STEEL GATE SUPPORT POST
- (D) STAHL-TORPFOSTEN
- (F) POTEAU DE RENFORT POUR PORTAIL ACIER
- (E) POSTE DE ACERO PARA CANCELAS
- (P) PILAR DE SUPORTE DO PORTÃO EM AÇO
- (I) MONTANTE DI SUPPORTO PER CANCELLO IN ACCIAIO
- (DK) STØTTESTOLPE TIL PORT I STÅL
- (NL) STALEN STAANDER
- (N) STØTTESTOLPE FOR PORT I STÅL
- (S) STÖDPOST FÖR STÅLGRIND
- (FIN) TERÄKSINEN PORTIN TUKIPYLVÄS
- (PL) STALOWY SŁUPEK PODTRZYMUJĄCY BRAMĘ
- (SK) OCELOVÝ NOSNÝ STĽP BRÁNY
- (EE) TERASVÄRAVA TUGIPOST
- (LT) PLIENINIS VARTŲ ATRAMINIS STULPELIS
- (LV) TĒRAUDA VĀRTU ATBALSTA STABS

- (CZ) OCELOVÝ PODPĚRNÝ SLOUPEK BRÁNY
- (RO) STĂLP DE SUSȚINERE PENTRU POARTĂ DIN OȚEL
- (HR) ČELIČNI POTPORNI STUP ZA VRATA
- (RUS) СТАЛЬНАЯ ОПОРНАЯ СТОЙКА ДЛЯ ВОРОТ
- (SLO) JEKLENI NOSILNI STEBER ZA VRATA
- (TR) ÇELİK KAPI DESTEK DİREĞİ
- (AR) عمود تدعيم البوابة الفولاذي
- (CHN) 铁门支撑柱
- (MAL) TIANG SOKONGAN PAGAR KELULI
- (H) ACÉL KAPUTARTÓ OSZLOP
- (IL) עמוד תומך לישער מפלדה
- (BG) СТОМАНЕНА ОПОРНА КОЛОНА ЗА ПОРТА
- (KO) 강철 게이트 지지대
- (SRB) ČELIČNI POTPORNI STUP ZA VRATA

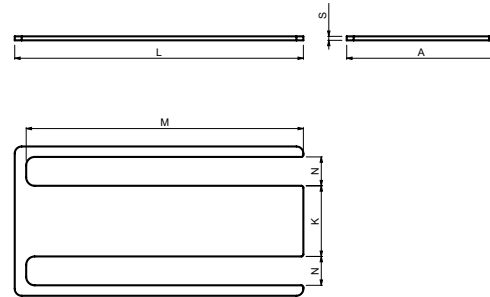
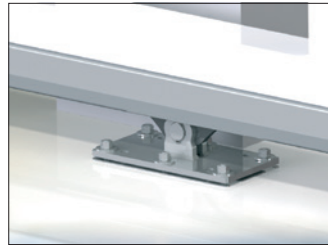
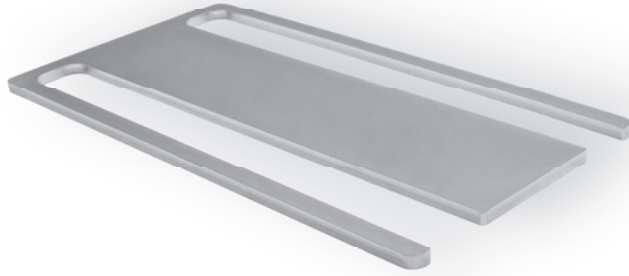
Art.	L	A	B	M	N	K1	K2	S1	S2	1pc	Image		CODE
											kg	pcs	
mm													
TOWER 1.1	1100	100	100	20	29,5	160	101	10	3	12	1	12	1710803
TOWER 1.3	1300	100	100	20	29,5	160	101	10	3	13,5	1	13,5	1710804
TOWER 1.5	1500	100	100	20	29,5	160	101	10	3	15	1	15	1710805
TOWER 1.8	1800	100	100	20	29,5	160	101	10	3	17,5	1	17,5	1710807



- (GB) WASHER FOR CANTILEVER CARRIAGE
- (D) UNTERLEGSCHLEIBE FÜR AUSLEGERSCHLITTEN
- (F) RONDELLE POUR CHARIOT CANTILEVER
- (E) TUERCA PARA CARRO EN VOLADIZO
- (P) ARRUELA PARA TRANSPORTE DE CANTILEVER
- (I) RONDELLA PER CARRELLO CANCELLO AUTOPORTANTE
- (DK) SKIVE TIL FRITVÆRENDE PORT
- (NL) RING VOOR SCHUIFWAGEN
- (N) SKIVE FOR RULLEPORTVOGN
- (S) BRICKA FÖR FRIBÄRANDE GRINDVAGN
- (FIN) ALUSLEVY ULOKETELINEESEEN
- (PL) PODKŁADKA DO WÓZKA BRAMY SAMONOŚNEJ
- (SK) PODLOŽKA PRE SAMONOSNÝ NOSNÍK
- (EE) SEIB KONSOLALUSE JAKKS
- (LT) POVERŽLĖ GEMBINIŲ VARTŲ VEŽIMĖLIUI
- (LV) PĀPLĀKSNE KONSOLĒS NESOŠAJAM RULĻU BLOKAM

- (CZ) PODLOŽKA PRO VOZÍK
- (RO) ȘAIBĂ PENTRU SISTEMUL DE CULISARE ÎN CONSOLĂ
- (HR) PODLOŠKA ZA NOSIVO PODVOZJE
- (RUS) ШАЙБА ДЛЯ РОЛИКОВЫХ ТЕЛЕЖЕК САМОНЕСУЩИХ ВОРОТ
- (SLO) PODLOŽKA ZA VOZIČEK
- (TR) MANİVELA TAŞIYICISI İÇİN RONDELA
- (AR) حلبة ليوابة الكابول
- (CHN) 悬臂架垫片
- (MAL) SESENDAL UNTUK PEMBAWA JULUR
- (H) ALÁTÉT TOLÓKAPU FUTÓKOCSIHOZ
- (IL) חלקה ללולאת הקרונית
- (BG) ВЛОЖКА ЗА КОНЗОЛНА КОЛИЧКА
- (KO) 캔틸레버 이동대용 와셔
- (SRB) PODLOŠKA ZA SAMONOSIVU KARIJU

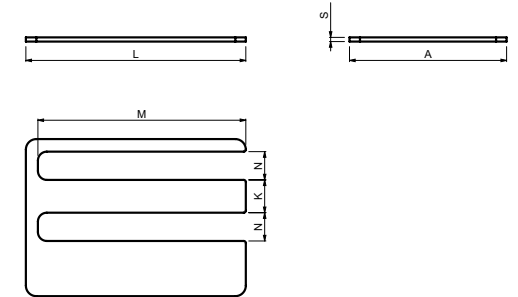
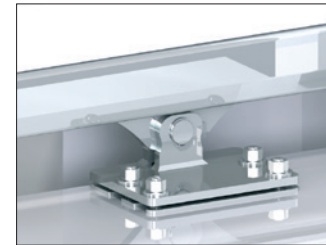
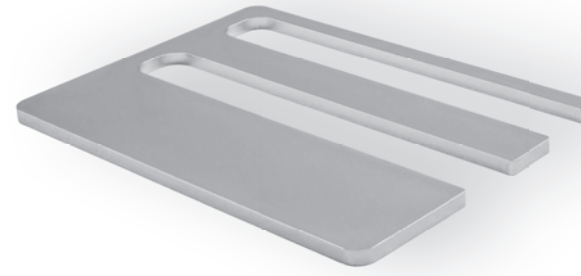
Art.	L	A	K	M	N	S	CARRIAGE	1pc	Image		CODE
									kg	pcs	
mm											
DESK ME 2	210	150	72	199	27	2	SPEED ME	0,32	4	1,28	1700323
DESK ME 4	210	150	72	199	27	4	SPEED ME	0,64	4	2,56	1700324
DESK ME 6	210	150	72	199	27	6	SPEED ME	0,96	4	3,84	1700325



- (GB) WASHER FOR CANTILEVER CARRIAGE
- (D) UNTERLEGSCHIBE FÜR AUSLEGERSCHLITTEN
- (F) RONDELLE POUR CHARIOT CANTILEVER
- (E) TUERCA PARA CARRO EN VOLADIZO
- (P) ARRUELA PARA TRANSPORTE DE CANTILEVER
- (I) RONDELLA PER CARRELLO CANCELLO AUTOPORTANTE
- (DK) SKIVE TIL FRITBÆRENDE PORT
- (NL) RING VOOR SCHUIFWAGEN
- (N) SKIVE FOR RULLEPORTVOGN
- (S) BRICKA FÖR FRIBÄRANDE GRINDVAGN
- (FIN) ALUSLEVY ULOKETELINEESEEN
- (PL) PODKŁADKA DO WÓZKA BRAMY SAMONOŚNEJ
- (SK) PODLOŽKA PRE SAMONOSNÝ NOSNÍK
- (EE) SEIB KONSOLALUSE JAOKS
- (LT) POVERŽLĖ GEMBINIŲ VARTŲ VEŽIMĖLIUI
- (LV) PĀPLĀKSNE KONSOLĒS NESOŠĀJAM RULĻU BLOKAM

- (CZ) PODLOŽKA PRO VOZÍK
- (RO) ȘAIBĂ PENTRU SISTEMUL DE CULISARE ÎN CONSOLĂ
- (HR) PODLOŠKA ZA NOSIVO PODVOZJE
- (RUS) ШАЙБА ДЛЯ РОЛИКОВЫХ ТЕЛЕЖЕК САМОНЕСУЩИХ ВОРОТ
- (SLO) PODLOŽKA ZA VOZIČEK
- (TR) MANIVELA TAŞIYICISI İÇİN RONDELA
- (AR) حلبة لنواية الكابول
- (CHN) 悬臂架垫片
- (MAL) SESENDAL UNTUK PEMBAWA JULUR
- (H) ALÁTÉT TOLÓKAPU FUTÓKOCSIHOZ
- (IL) הקטת לנלגים ל'קורט
- (BG) ВЛОЖКА ЗА КОНЗОЛНА КОЛИЧКА
- (KO) 캔틸레버 이송대용 와셔
- (SRB) PODLOŠKA ZA SAMONOSIVU KAPIJU

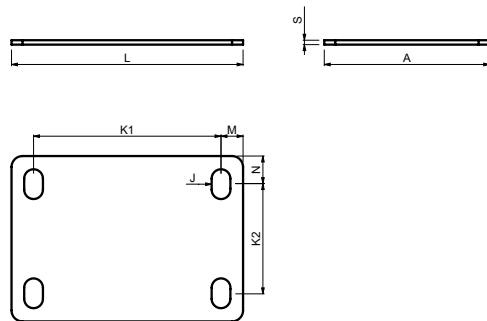
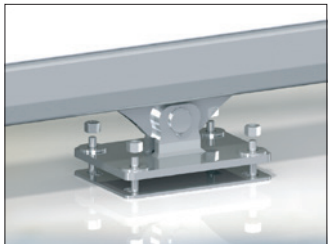
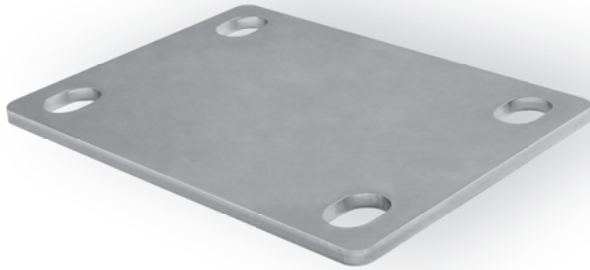
Art.	L	A	K	M	N	S	CARRIAGE	1pc			CODE	
								kg	pcs	kg		
	mm											
DESK M 2	290	150	72	279	27	2	SPEED M	0,42	4	1,68	1700326	
DESK M 4	290	150	72	279	27	4	SPEED M	0,84	4	3,36	1700327	
DESK M 6	290	150	72	279	27	6	SPEED M	1,26	4	5,04	1700328	



- (GB) WASHER FOR CANTILEVER CARRIAGE
- (D) UNTERLEGSCHIBE FÜR AUSLEGERSCHLITTEN
- (F) RONDELLE POUR CHARIOT CANTILEVER
- (E) TUERCA PARA CARRO EN VOLADIZO
- (P) ARRUELA PARA TRANSPORTE DE CANTILEVER
- (I) RONDELLA PER CARRELLO CANCELLO AUTOPORTANTE
- (DK) SKIVE TIL FRITBÆRENDE PORT
- (NL) RING VOOR SCHUIFWAGEN
- (N) SKIVE FOR RULLEPORTVOGN
- (S) BRICKA FÖR FRIBÄRANDE GRINDVAGN
- (FIN) ALUSLEVY ULOKETELINEESEEN
- (PL) PODKŁADKA DO WÓZKA BRAMY SAMONOŚNEJ
- (SK) PODLOŽKA PRE SAMONOSNÝ NOSNÍK
- (EE) SEIB KONSOLALUSE JAOKS
- (LT) POVERŽLĖ GEMBINIŲ VARTŲ VEŽIMĖLIUI
- (LV) PĀPLĀKSNE KONSOLĒS NESOŠĀJAM RULĻU BLOKAM

- (CZ) PODLOŽKA PRO VOZÍK
- (RO) ȘAIBĂ PENTRU SISTEMUL DE CULISARE ÎN CONSOLĂ
- (HR) PODLOŠKA ZA NOSIVO PODVOZJE
- (RUS) ШАЙБА ДЛЯ РОЛИКОВЫХ ТЕЛЕЖЕК САМОНЕСУЩИХ ВОРОТ
- (SLO) PODLOŽKA ZA VOZIČEK
- (TR) MANIVELA TAŞIYICISI İÇİN RONDELA
- (AR) حلبة لنواية الكابول
- (CHN) 悬臂架垫片
- (MAL) SESENDAL UNTUK PEMBAWA JULUR
- (H) ALÁTÉT TOLÓKAPU FUTÓKOCSIHOZ
- (IL) הקטת לנלגים ל'קורט
- (BG) ВЛОЖКА ЗА КОНЗОЛНА КОЛИЧКА
- (KO) 캔틸레버 이송대용 와셔
- (SRB) PODLOŠKA ZA SAMONOSIVU KAPIJU

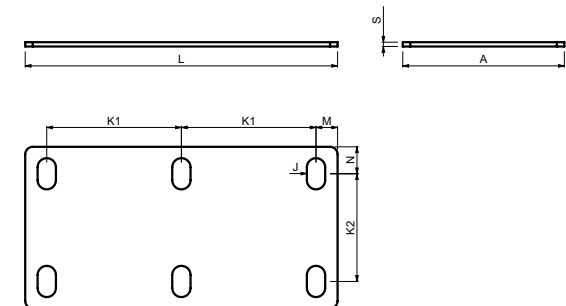
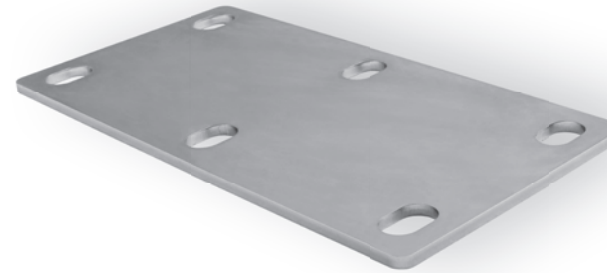
Art.	L	A	K	M	N	S	CARRIAGE	1pc			CODE
								kg	pcs	kg	
	mm										
DESK MEK 2	210	150	72	199	27	2	SPEED MEK	0,32	4	1,28	1700329
DESK MEK 4	210	150	72	199	27	4	SPEED MEK	0,64	4	2,56	1700330
DESK MEK 6	210	150	72	199	27	6	SPEED MEK	0,96	4	3,84	1700331



- (GB) WASHER FOR CANTILEVER CARRIAGE
- (D) UNTERLEGSCHIEBE FÜR AUSLEGERSCHLITTEN
- (F) RONDELLE POUR CHARIOT CANTILEVER
- (E) TUERCA PARA CARRO EN VOLADIZO
- (P) ARRUELA PARA TRANSPORTE DE CANTILEVER
- (I) RONDELLA PER CARRELLO CANCELLO AUTOPORTANTE
- (DK) SKIVE TIL FRITBÆRENDE PORT
- (NL) RING VOOR SCHUIFWAGEN
- (N) SKIVE FOR RULLEPORTVOGN
- (S) BRICKA FÖR FRIBÄRANDE GRINDVAGN
- (FIN) ALUSLEVY ULOKETELINEESEEN
- (PL) PODKLADKA DO WÓZKA BRAMY SAMONOŠNEJ
- (SK) PODLOŽKA PRE SAMONOSNÝ NOSNÍK
- (EE) SEIB KONSOLALUSE JAOKS
- (LT) POVERŽLĖ GEMBINIŲ VARTŲ VEŽIMĖLIUI
- (LV) PĀPLĀKSNE KONSOLES NESOŠĀJAM RUĻĻU BLOKAM

- (CZ) PODLOŽKA PRO VOZÍK
- (RO) ȘAIBĂ PENTRU SISTEMUL DE CULISARE ÎN CONSOLĂ
- (HR) PODLOŠKA ZA NOSIVO PODVOZJE
- (RUS) ШАЙБА ДЛЯ РОЛИКОВЫХ ТЕЛЕЖЕК САМОНЕСУЩИХ ВОРОТ
- (SLO) PODLOŽKA ZA VOZIČEK
- (TR) MANIVELA TAŞIYICISI İÇİN RONDELA
- (AR) حلبة لثوابية الكابول
- (CHN) 悬臂架垫片
- (MAL) SESENDAL UNTUK PEMBAWA JULUR
- (H) ALÁTÉT TOLÓKAPU FUTÓKOCSIHOZ
- (IL) חלקה ללגלגים לרובוט
- (BG) ВЛОЖКА ЗА КОНЗОЛНА КОЛИЧКА
- (KO) 캔틸레버 이송대용 와셔
- (SRB) PODLOŠKA ZA SAMONOSIVU KARIJU

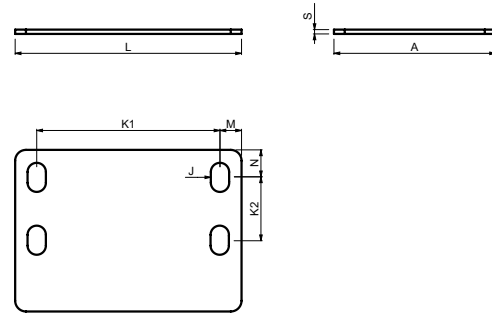
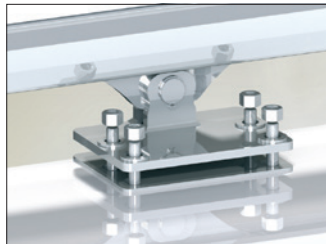
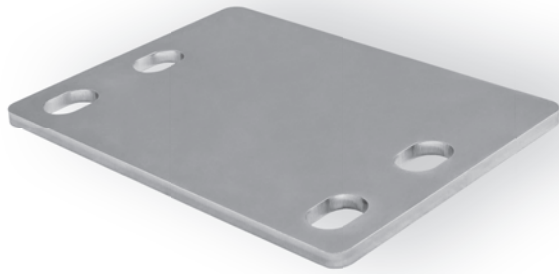
Art.	L	A	J	K1	K2	M	N	S	CARRIAGE	1pc	CODE		
										kg	pcs	kg	
											mm		
RAMP ME 2	210	150	17x27	170	99	20	25,5	2	SPEED ME	0,48	4	1,92	1700292
RAMP ME 4	210	150	17x27	170	99	20	25,5	4	SPEED ME	0,89	4	3,56	1700293
RAMP ME 6	210	150	17x27	170	99	20	25,5	6	SPEED ME	1,34	4	5,36	1700294



- (GB) WASHER FOR CANTILEVER CARRIAGE
- (D) UNTERLEGSCHIEBE FÜR AUSLEGERSCHLITTEN
- (F) RONDELLE POUR CHARIOT CANTILEVER
- (E) TUERCA PARA CARRO EN VOLADIZO
- (P) ARRUELA PARA TRANSPORTE DE CANTILEVER
- (I) RONDELLA PER CARRELLO CANCELLO AUTOPORTANTE
- (DK) SKIVE TIL FRITBÆRENDE PORT
- (NL) RING VOOR SCHUIFWAGEN
- (N) SKIVE FOR RULLEPORTVOGN
- (S) BRICKA FÖR FRIBÄRANDE GRINDVAGN
- (FIN) ALUSLEVY ULOKETELINEESEEN
- (PL) PODKLADKA DO WÓZKA BRAMY SAMONOŠNEJ
- (SK) PODLOŽKA PRE SAMONOSNÝ NOSNÍK
- (EE) SEIB KONSOLALUSE JAOKS
- (LT) POVERŽLĖ GEMBINIŲ VARTŲ VEŽIMĖLIUI
- (LV) PĀPLĀKSNE KONSOLES NESOŠĀJAM RUĻĻU BLOKAM

- (CZ) PODLOŽKA PRO VOZÍK
- (RO) ȘAIBĂ PENTRU SISTEMUL DE CULISARE ÎN CONSOLĂ
- (HR) PODLOŠKA ZA NOSIVO PODVOZJE
- (RUS) ШАЙБА ДЛЯ РОЛИКОВЫХ ТЕЛЕЖЕК САМОНЕСУЩИХ ВОРОТ
- (SLO) PODLOŽKA ZA VOZIČEK
- (TR) MANIVELA TAŞIYICISI İÇİN RONDELA
- (AR) حلبة لثوابية الكابول
- (CHN) 悬臂架垫片
- (MAL) SESENDAL UNTUK PEMBAWA JULUR
- (H) ALÁTÉT TOLÓKAPU FUTÓKOCSIHOZ
- (IL) חלקה ללגלגים לרובוט
- (BG) ВЛОЖКА ЗА КОНЗОЛНА КОЛИЧКА
- (KO) 캔틸레버 이송대용 와셔
- (SRB) PODLOŠKA ZA SAMONOSIVU KARIJU

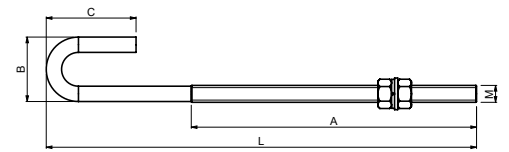
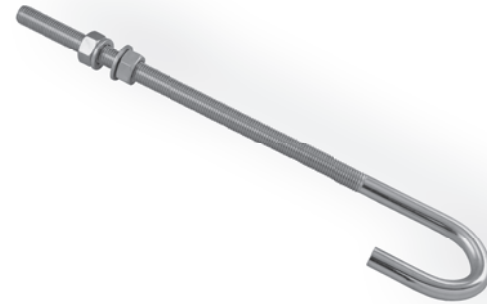
Art.	L	A	J	K1	K2	M	N	S	CARRIAGE	1pc	CODE		
										kg	pcs	kg	
											mm		
RAMP M 2	290	150	17x27	125	99	20	25,5	2	SPEED M	0,65	4	2,6	1700295
RAMP M 4	290	150	17x27	125	99	20	25,5	4	SPEED M	1,23	4	4,92	1700296
RAMP M 6	290	150	17x27	125	99	20	25,5	6	SPEED M	1,85	4	7,4	1700297



- (GB) WASHER FOR CANTILEVER CARRIAGE
- (D) UNTERLEGSCHLEIBE FÜR AUSLEGERSCHLITTEN
- (F) RONDELLE POUR CHARIOT CANTILEVER
- (E) TUERCA PARA CARRO EN VOLADIZO
- (P) ARRUELA PARA TRANSPORTE DE CANTILEVER
- (I) RONDELLA PER CARRELLO CANCELLO AUTOPORTANTE
- (DK) SKIVE TIL FRITBÆRENDE PORT
- (NL) RING VOOR SCHUIFWAGEN
- (N) SKIVE FOR RULLEPORTVOGN
- (S) BRICKA FÖR FRIBÄRANDE GRINDVAGN
- (FIN) ALUSLEVY ULOKETELINEESEEN
- (PL) PODKLADKA DO WÓZKA BRAMY SAMONOŚNEJ
- (SK) PODLOŽKA PRE SAMONOSNÝ NOSNÍK
- (EE) SEIB KONSOLALUSE JAOKS
- (LT) POVERŽLĖ GEMBINIŲ VARTŲ VEŽIMĖLIUI
- (LV) PĀPLĀKSNE KONSOLĒS NESOŠĀJAM RUĻĻU BLOKAM

- (CZ) PODLOŽKA PRO VOZÍK
- (RO) ȘAIBĂ PENTRU SISTEMUL DE CULISARE ÎN CONSOLĂ
- (HR) PODLOŠKA ZA NOSIVO PODVOZJE
- (RUS) ШАЙБА ДЛЯ РОЛИКОВЫХ ТЕЛЕЖЕК САМОНЕСУЩИХ ВОРОТ
- (SLO) PODLOŽKA ZA VOZIČEK
- (TR) MANIVELA TAŞIYICISI İÇİN RONDELA
- (AR) حلبة لثوابية الكابول
- (CHN) 悬臂架垫片
- (MAL) SESENDAL UNTUK PEMBAWA JULUR
- (H) ALÁTÉT TOLÓKAPU FUTÓKOCSIHOZ
- (IL) הקטן להגלגלים לוקטור
- (BG) ВЛОЖКА ЗА КОНЗОЛНА КОЛИЧКА
- (KO) 캔틸레버 이송대용 와셔
- (SRB) PODLOŠKA ZA SAMONOSIVU KAPJU

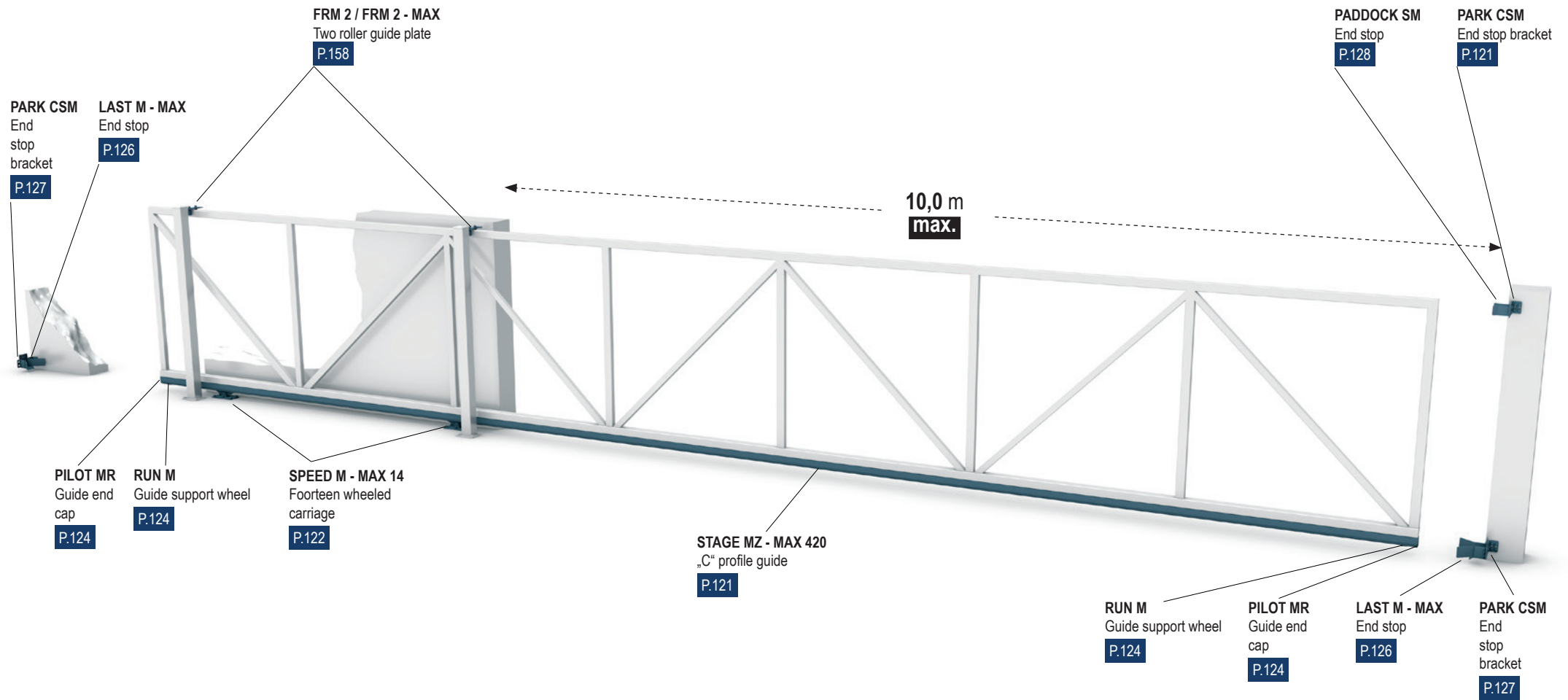
Art.	L	A	J	K1	K2	M	N	S	CARRIAGE	1pc	WASHER			CODE
											kg	pcs	kg	
				mm										
RAMP MEK 2	210	150	17x27	170	65	20	25,5	2	SPEED MEK	0,48	4	1,92	1700298	
RAMP MEK 4	210	150	17x27	170	65	20	25,5	4	SPEED MEK	0,89	4	3,56	1700299	
RAMP MEK 6	210	150	17x27	170	65	20	25,5	6	SPEED MEK	1,34	4	5,36	1700300	



- (GB) FIXING BAR FOR CANTILEVER CARRIAGE
- (D) BEFESTIGUNGSSTANGE FÜR AUSLEGERSCHLITTEN
- (F) BARRE DE FIXATION POUR CHARIOT CANTILEVER
- (E) BARRA DE FIJACIÓN PARA CARRO EN VOLADIZO
- (P) BARRA DE FIXAÇÃO DE TRANSPORTE DE CANTILEVER
- (I) BARRA DI FISSAGGIO PER CARRELLO CANCELLO AUTOPORTANTE
- (DK) FASTGØRELSESSTANG TIL FRITBÆRENDE PORT
- (NL) BEVESTIGINGSBALK VOOR SCHUIFWAGEN
- (N) FESTESTANG FOR RULLEPORT
- (S) FÄSTBALK FÖR FRIBÄRANDE GRINDVAGN
- (FIN) KIINNITYSPALKKI ULOKETELINEESEEN
- (PL) LISTWA MOCUJĄCA DO WÓZKA BRAMY SAMONOŚNEJ
- (SK) UPEVNŔOVACIA TYČ PRE SAMONOSNÝ NOSNÍK
- (EE) FIKSEERIMISTALA KONSOLALUSE JAOKS
- (LT) TVIRTINIMO STRYPAS GEMBINIŲ VARTŲ VEŽIMĖLIUI
- (LV) FIKSEJOŠAIS STIENIS KONSOLĒS NESOŠĀJAM RUĻĻU BLOKAM

- (CZ) FIXAČNÍ TYČ PRO VOZÍK
- (RO) BARĂ DE FIXARE PENTRU SISTEMUL DE CULISARE ÎN CONSOLĂ
- (HR) FIKSIRAJUĆA ŠIPKA ZA NOSIVO PODVOZJE
- (RUS) КРЕПЕЖНЫЙ СТЕРЖЕНЬ ДЛЯ РОЛИКОВЫХ ТЕЛЕЖЕК САМОНЕСУЩИХ ВОРОТ
- (SLO) PRITRDILNI DROG ZA VOZIČEK
- (TR) MANIVELA TAŞIYICISI İÇİN SABITLEME ÇUBUĞU
- (AR) قضيب التثبيت لثوابية الكابول
- (CHN) 悬臂架固定条
- (MAL) BAR IKATAN UNTUK PEMBAWA JULUR
- (H) RÖGZÍTŐRÚD TOLÓKAPU FUTÓKOCSIHOZ
- (IL) מוט קביעה ללגלגלים לוקטור
- (BG) ФИКСАТОР ЗА КОНЗОЛНА КОЛИЧКА
- (KO) 캔틸레버 이송대용 고정대
- (SRB) FIKSIRAJUĆA ŠIPKA ZA SAMONOSIVU KAPJU

Art.	L	A	B	C	M	WASHER	1pc	RAMP			CODE
								kg	pcs	kg	
			mm								
CLINCH 16	410	300	60	80	M16	RAMP	0,72	12	8,64	1700239	









NEW  **10.0 M DRIVEWAY - MAX. 900 KG**







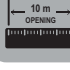








 **CANTILEVER M MAX 10.0**

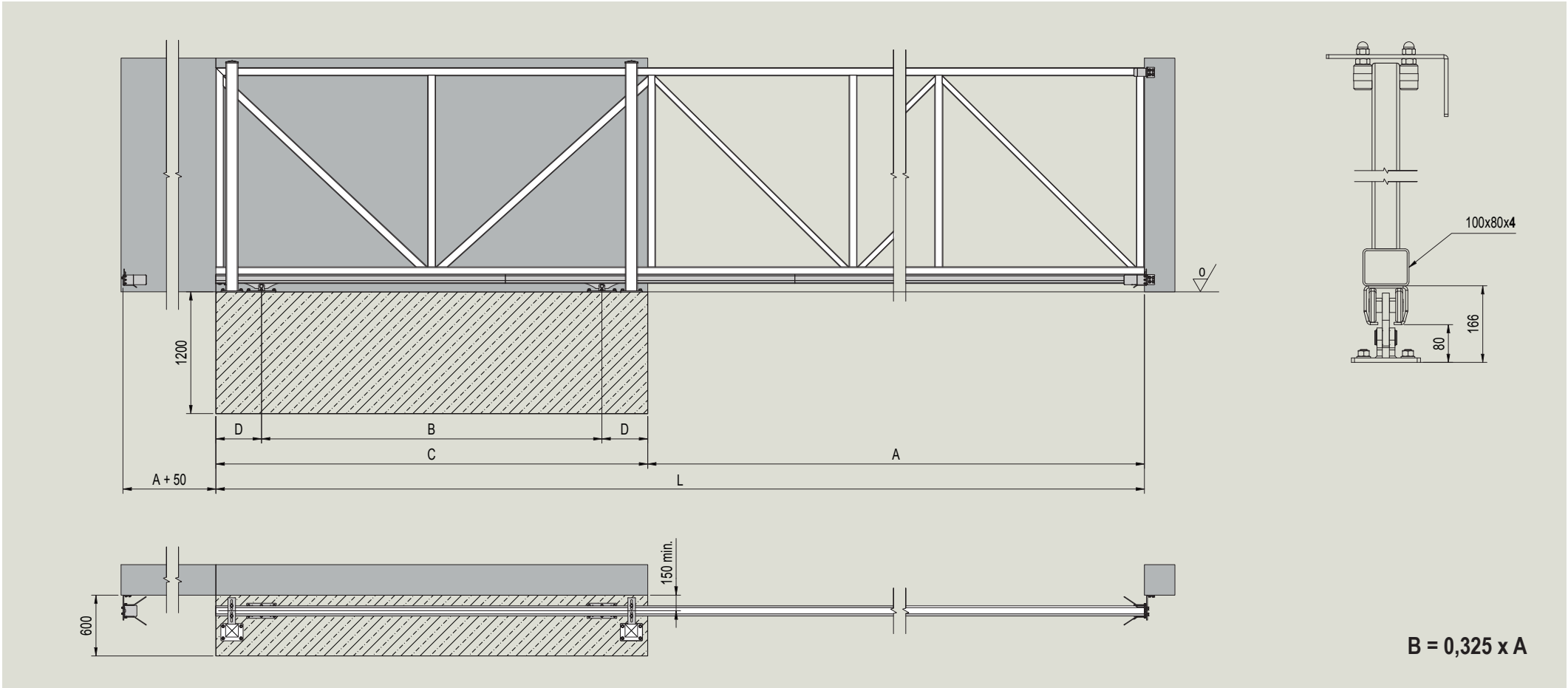
CANTILEVER HARDWARE
S 420 EXTRA STRONG GRADE STEEL

MAMBA MAX 10.0													
	mm; kg	mm; kg	mm; kg	mm; kg	mm; kg	mm; kg	mm; kg	mm; kg	mm; kg	mm; kg	mm; kg	mm; kg	mm; kg
A	4000	4500	5000	5500	6000	6500	7000	7500	8000	8500	9000	9500	10000
max. weight gate	600 kg	625 kg	650 kg	675 kg	700 kg	725 kg	750 kg	775 kg	800 kg	825 kg	850 kg	875 kg	900 kg
B	1300	1463	1625	1788	1950	2113	2275	2438	2600	2763	2925	3088	3250
C	2200	2363	2525	2688	2855	3013	3175	3338	3500	3663	3825	3988	4150
D	450	450	450	450	450	450	450	450	450	450	450	450	450

MAX WEIGHT "C" TRACK INCLUDED

 FAST NO WELDING REQUIRED	 JAPANESE ROBOTICS FANUC	 NO WELDING REQUIRED
 BOLTS RIVET NUTS INCLUDED	 HOT DIPPED GALVANIZED	 EASY ASSEMBLY

 S 420 EXTRA STRONG GRADE STEEL	 SLOTTED HOLE PUNCHED EVERY 400mm IN TRACK	 UNIVERSITY OF TECHNOLOGY – BRNO
 ALL IN ONE CONCEPT 2.85 M PARCEL	 C 2 HIGH QUALITY BEARINGS	 - 37°C TESTED & PROVEN
 10 M OPENING	 CARRIAGES CENTER HOLES MILLED NOT LASER CUT	 + 50°C TESTED & PROVEN
 GERMAN STEEL	 «C» TRACK SERIAL NO. 100% COMPATIBILITY CARRIAGE TESTED	 ARROW STRAIGHT «C» TRACK
 MULTI RIVETED SECTIONS	 MADE IN CZECH REPUBLIC	 SPEED M MAX 14 WHEELED CARRIAGE



FRAME NOT INCLUDED



W Wuppermann
GERMAN STEEL

270
g/m²

HOT
DIPPED
GALVANIZED



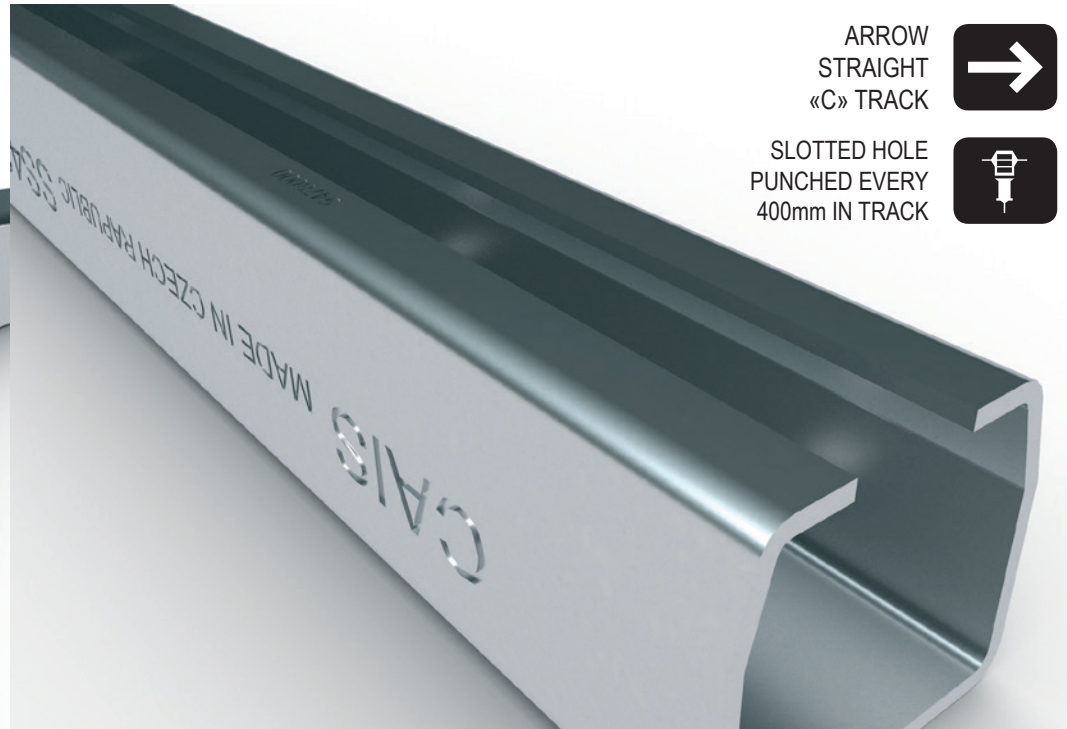
SPECIAL
THICKNESS

5,00
mm

ARROW
STRAIGHT
«C» TRACK



SLOTTED HOLE
PUNCHED EVERY
400mm IN TRACK



MADE IN
CZECH
REPUBLIC



N°239892

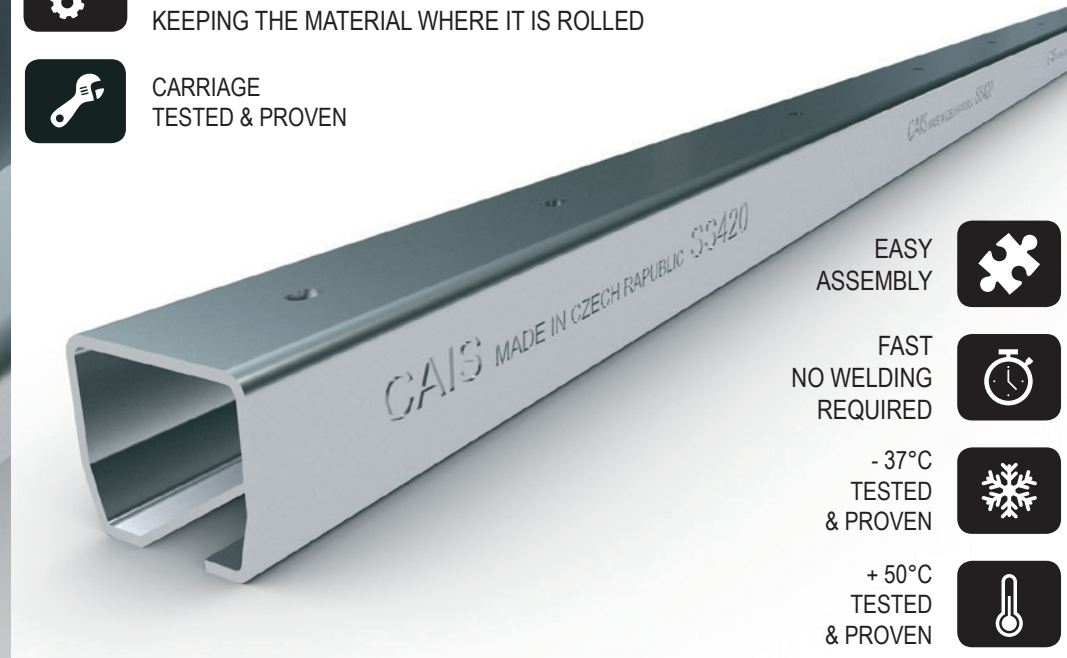
SERIAL NUMBER



SLOW ROLLING
NO HEAT GENERATED DURING PRODUCTION
KEEPING THE MATERIAL WHERE IT IS ROLLED



CARRIAGE
TESTED & PROVEN



EASY
ASSEMBLY



FAST
NO WELDING
REQUIRED

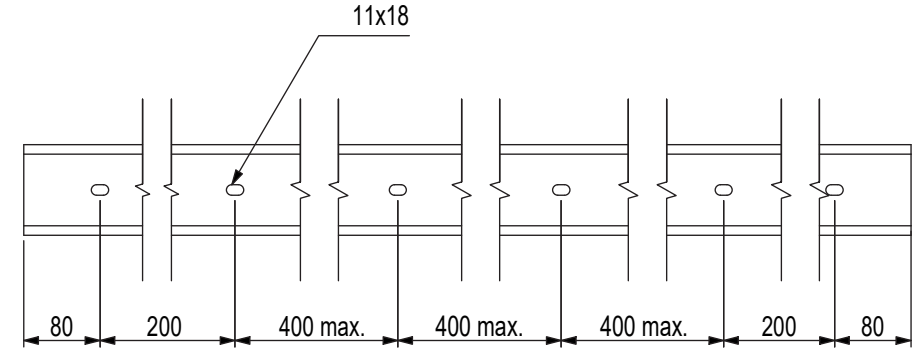
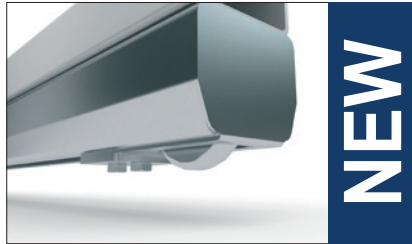
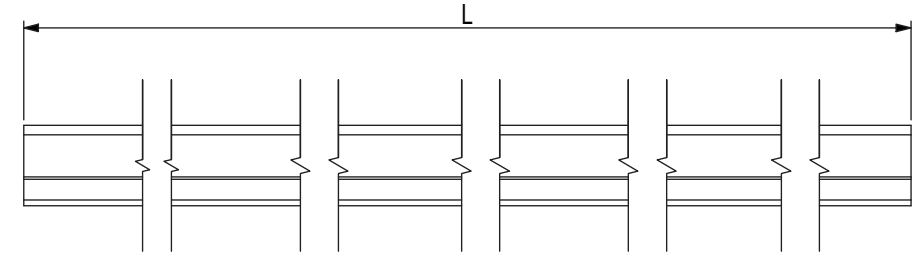
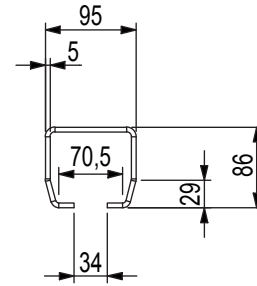


- 37°C
TESTED
& PROVEN



+ 50°C
TESTED
& PROVEN

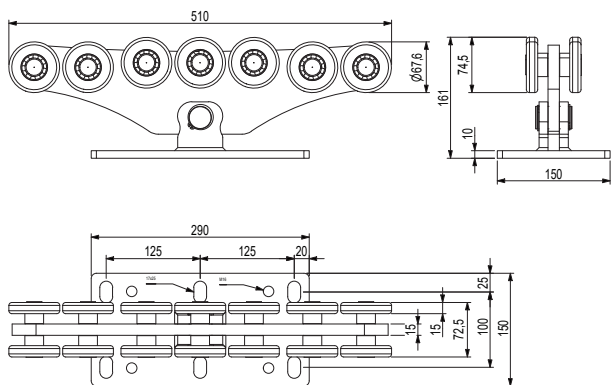
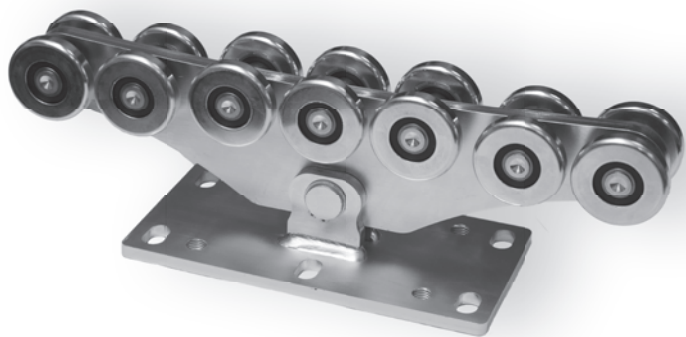




- (GB) „C“ PROFIL GUIDE FOR CANTILEVER GATE
- (D) „C“ PROFIL FÜR FREITRAGENDE SCHIEBETÖRE
- (F) GUIDE À PROFIL EN « C » POUR PORTAIL AUTOPORTANT
- (E) GUÍA CON PERFIL “C” PARA PUERTA VOLADIZA
- (P) GUIA DE PERFIL “C” PARA PORTÃO CANTILEVER
- (I) GUIDA CON PROFILO A “C” PER CANCELLO AUTOPORTANTE
- (DK) “C” PROFILVANGE TIL FRITTBÆRENDE PORT
- (NL) “C” PROFIEL GELEIDER VOOR VRIJDRAGENDE SCHUIFPOOR
- (N) “C”-PROFILSKINNE FOR FRITTBÆRENDE PORTX
- (S) “C” GEJDPROFIL FÖR FRIBÄRANDE GRIND
- (FIN) “C” -PROFILLIÖHJAIN ULÖKEKANNETEISEEN PORTTIIN
- (PL) SZYNA DO BRAM SAMONOŚNYCH
- (SK) NOSNÝ „C“ PROFIL PRE POSUVNÚ SAMONOSNÚ BRÁNU
- (EE) “C”-PROFII LI JUHIK KONSOOLVÄRAVA JAOKS
- (LT) „C“ FORMOS PROFILIUOTAS KREIPTUVAS GEMBINIAMS VARTAMS
- (LV) “C” VEIDA PROFILS KONSOLVEIDA VÄRTIEM

- (CZ) ŠÍNA „C“ PROFIL PRO POSUVNOU SAMONOSNOU BRÁNU
- (RO) GHIDAJ CU PROFIL „C“ PENTRU POARTA AUTOPORTANTĂ ÎN CONSOLĂ
- (HR) VODILICA „C“ PROFILA ZA KLIZNA DVORIŠNA VRATA
- (RUS) НАПРАВЛЯЮЩИЙ РЕЛЬС / ПРОФИЛЬ «С» ДЛЯ ОТКАТНЫХ САМОНЕСУЩИХ ВОРОТ
- (SLO) “C” VODILO ZA SAMONOSNA DRSNA VRATA
- (TR) KONSOL BAĞÇE KAPISI İÇİN “C” PROFİL KIZAĞI
- (AR) للبوابة المدعومة “C” دعامة للبوابة جاذبية
- (CHN) 悬臂门“C”型导轨
- (MAL) PANDU PROFIL “C” UNTUK PINTU PAGAR JULUR
- (H) C-VEZETŐSÍN TOLÓKAPUHOZ
- (IL) קורה בצרופיל “C” לשער קונסולי
- (BG) “C”-ОБРАЗНА РЕЛІСА ЗА КОНЗОЛНА ВРАТА
- (KO) 캔틸레버 게이트용 “C”자형 프로필 가이드
- (SRB) VODICA „C“ PROFILA ZA SAMONOSIVU KAPIJU

Art.	CARRIAGE	SURFACE FINISH	L/1pc	1pc	1pc		CODE
			mm	kg	pcs	kg	
STAGE MZ 6 - MAX 420	SPEED M / ME / MEK / M - MAX	GALVANIZED	6000	65,4	12	784,8	1720124
STAGE MZ 3 - MAX 420	SPEED M / ME / MEK / M - MAX	GALVANIZED	3000	32,7	12	392,4	1720127

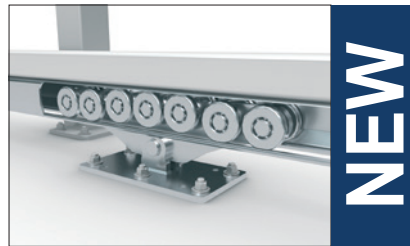
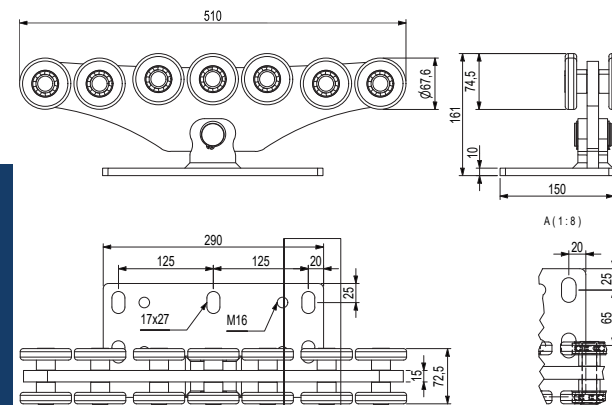
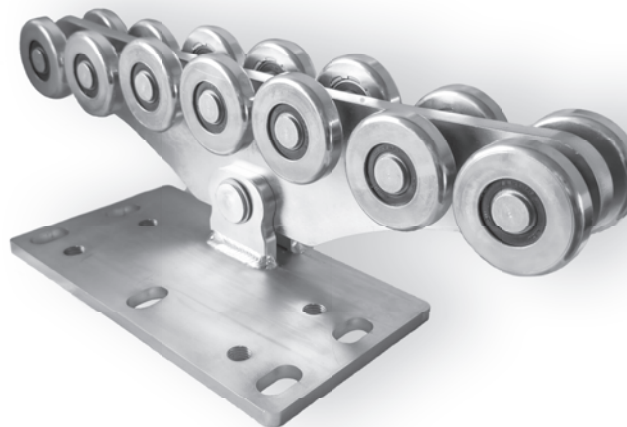


NEW

- (GB) FOURTEEN WHEELED (7 X 7) CARRIAGE FOR CANTILEVER M-MAX HARDWARE
- (D) 14-RAD-GESTELL (7 X 7) FÜR CANTILEVER M-MAX-BESCHLÄGE
- (F) MONTURE QUATORZE GALETS (7 X 7) POUR MODÈLE PORTE-À-FAUX M-MAX
- (E) CARRO DE CATORCE RUEDAS (7 X 7) PARA HERRAJES EN VOLADIZO M-MAX
- (P) CARRO DE CATORZE RODAS (7 X 7) PARA FERRAGENS CANTILEVER M-MAX
- (I) CARRELLO A QUATTORDICI RUOTE (7 X 7) PER FERRAMENTA CANTILEVER M-MAX
- (DK) VOGN MED 14 HJUL (7 X 7) TIL M-MAX-BESLAG TIL UDKRAGNING
- (NL) WAGEN MET VEERTIEN ROLLEN (7 X 7) VOOR CANTILEVER M-MAX HARDWARE
- (N) VOGN MED FJORTEN HJUL (7 X 7) FOR M-MAX-BESLAG TIL UTLIGGER
- (S) VAGN MED 14 HJUL (7X7) FÖR BESLAG KONSOL M-MAX
- (FIN) NELJÄTOISTAPYÖRÄINEN (7X7) KELKKAULOKEPALKIN M-MAX-LAITTEISTOAVARTEN
- (PL) WÓZEK Z CZTERNASTOMA KOŁAMI (7 X 7) DO ELEMENTÓW SYSTEMÓW WSPORNIKOWYCH TYPU M-MAX
- (SK) ŠTRNÁSTKOLESKOVÝ VOZÍK (7 X 7) PRE KOVANIE SAMONOSNEJ POSUVNEJ BRÁNY M-MAX
- (EE) NELJATEISTKÜMNE RATTAGA (7 X 7) KANDUR TIIBVÁRAVALE M-MAX
- (LT) KETURIOLIKOSRATUKŲ (7 X 7) VEŽIMĖLIS, SKIRTAS KONSOLIŲ VARTŲ M-MAX ĮRANGAI
- (LV) RATIŅI AR ČETRPAKSMIT RITENIEM (7 X 7) ZOBSTIENA M-MAX APARATŪRAI

- (CZ) VOZÍK ČTRNÁCTIKOLOVÝ PRO POSUVNOU SAMONOSNOU BRÁNU
- (RO) CĂRUȚIOR CU 14 ROȚI (7 X 7) PENTRU FERONERIE CANTILEVER M-MAX
- (HR) KOLICA S ČETIRNAEST KOTAČA (7 X 7) ZA OKOV CANTILEVER M-MAX
- (RUS) КАРЕТКА НА 14 РОЛИКОВ (7X7) ДЛЯ ФУРНИТУРЫ САМОНЕСУЩИХ ОТКАТНЫХ ВОРОТ M-MAX
- (SLO) PODNOŽJE S ŠTIRINAJSTIMI KOLESCI (7 X 7) ZA SISTEM CANTILEVER M-MAX
- (TR) KONSOL KIRIŞI M-MAX DONANIMI İÇİN 14 TEKERLEKLI (7 X 7) TAŞIYICI
- (AR) وحدة حاملة غير ممتلئة ذات أربع عشرة عجلة (7x7) لتجهيز النعجة القسوى للولاية الكاولية M-MAX
- (CHN) 用于悬臂梁M-MAX五金件的14轮 (7 X 7) 托架
- (MAL) PEMBAWA EMPAT BELAS RODA (7 X 7) UNTUK PERKAKASAN JULUR M-MAX
- (H) 14 CSAPÁGYAS (7 X 7) GÖRGÖCSOPORT M-MAX ÚSZÓKAPU VASALATHOZ
- (IL) מ-מאק 14 גלגלים (7x7) עבור רכיבי שער קובנולי מסוג M-MAX
- (BG) КАРЕТА С ЧЕТИРИНАДЕСЕТ КОЛЕЛА (7 X 7) ЗА ОБКОВ ЗА КОНЗОЛНИ ВРАТИ M-MAX
- (KO) 캔틸레버 M-MAX 하드웨어용 14륜 (7 X 7) 캐리지
- (SRB) KOLICA S ČETIRNAEST KOTAČA (7 X 7) ZA OKOV CANTILEVER M-MAX

Art.	A	GUIDE	1pc	kg		CODE
	max. mm		kg	pcs	kg	
SPEED M - MAX 14	8000	STAGE MZ - MAX 420	15	2	30	1700358

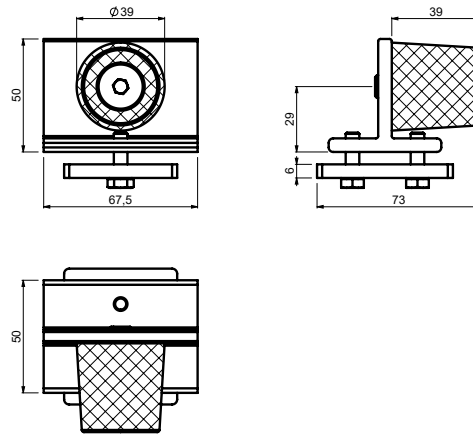
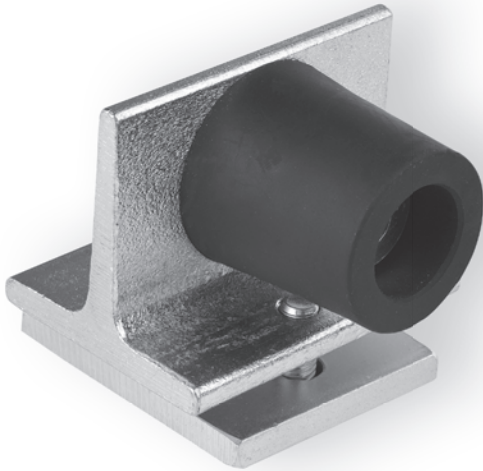


NEW

- (GB) ASYMMETRIC FOURTEEN WHEELED (7 X 7) CARRIAGE FOR CANTILEVER M-MAX HARDWARE
- (D) ASYMMETRISCHES 14-RAD-GESTELL (7 X 7) FÜR CANTILEVER M-MAX-BESCHLÄGE
- (F) MONTURE ASYMETRIQUE QUATORZE GALETS (7 X 7) POUR MODÈLE PORTE-À-FAUX M-MAX
- (E) CARRO ASIMÉTRICO DE CATORCE RUEDAS (7 X 7) PARA HERRAJES EN VOLADIZO M-MAX
- (P) CARRO DE CATORZE RODAS (7 X 7) ASSIMÉTRICO PARA FERRAGENS CANTILEVER M-MAX
- (I) CARRELLO ASIMMETRICO A QUATTORDICI RUOTE (7 X 7) PER FERRAMENTA CANTILEVER M-MAX
- (DK) ASYMMETRISK VOGN MED 14 HJUL (7 X 7) TIL M-MAX-BESLAG TIL UDKRAGNING
- (NL) ASYMMETRISCHE WAGEN MET VEERTIEN ROLLEN (7 X 7) VOOR CANTILEVER M-MAX HARDWARE
- (N) ASYMMETRISK VOGN MED FJORTEN HJUL (7 X 7) FOR M-MAX-BESLAG TIL UTLIGGER
- (S) ASYMMETRISK VAGN MED 14 HJUL (7X7) FÖR BESLAG KONSOL M-MAX
- (FIN) EPÄSYMMETRINEN NELJÄTOISTAPYÖRÄINEN (7 X 7) KELKKAULOKEPALKIN M-MAX-LAITTEISTOAVARTEN
- (PL) ASYMETRYCZNY WÓZEK Z CZTERNASTOMA KOŁAMI (7 X 7) DO MOCOWAŃ SYSTEMÓW WSPORNIKOWYCH M-MAX
- (SK) ASYMETRICKÝ ŠTRNÁSTKOLESKOVÝ VOZÍK (7 X 7) PRE KOVANIE SAMONOSNEJ POSUVNEJ BRÁNY M-MAX
- (EE) ASÜMMEETRILINE NELJATEISTKÜMNE RATTAGA (7 X 7) KANDUR TIIBVÁRAVALE M-MAX
- (LT) ASIMETRINIS KETURIOLIKOSRATUKŲ (7 X 7) VEŽIMĖLIS, SKIRTAS KONSOLIŲ VARTŲ M-MAX ĮRANGAI

- (CZ) ASYMETRICKÝ VOZÍK ČTRNÁCTIKOLOVÝ PRO POSUVNOU SAMONOSNOU BRÁNU
- (LV) ASIMETRISKI RATIŅI AR ČETRPAKSMIT RITENIEM (7 X 7) ZOBSTIENA M-MAX APARATŪRAI
- (RO) CĂRUȚIOR ASIMETRIC CU PAISPREZECE ROȚI (7 X 7) PENTRU FERONERIE CANTILEVER M-MAX
- (HR) ASIMETRIČNA KOLICA S ČETIRNAEST KOTAČA (7 X 7) ZA OKOV CANTILEVER M-MAX
- (RUS) АСИММЕТРИЧНАЯ КАРЕТКА НА 14 РОЛИКОВ (7X7) ДЛЯ ФУРНИТУРЫ САМОНЕСУЩИХ ОТКАТНЫХ ВОРОТ M-MAX
- (SLO) ASIMETRIČNO PODNOŽJE S ŠTIRINAJSTIMI KOLESCI (7 X 7) ZA SISTEM CANTILEVER M-MAX
- (TR) KONSOL KIRIŞI M-MAX DONANIMI İÇİN ASIMETRİK ON DÖRT TEKERLEKLI (7 X 7) TAŞIYICI
- (AR) وحدة حاملة غير ممتلئة ذات أربع عشرة عجلة (7x7) لتجهيز النعجة القسوى للولاية الكاولية M-MAX
- (CHN) 用于悬臂梁M-MAX五金件的的非对称14轮 (7 X 7) 托架
- (MAL) PEMBAWA EMPAT BELAS RODA (7 X 7) TIDAK SIMETRI UNTUK PERKAKASAN JULUR M-MAX
- (H) ASZIMMETRIKUS 14 CSAPÁGYAS (7 X 7) GÖRGÖCSOPORT M-MAX ÚSZÓKAPU VASALATHOZ
- (IL) מ-מאק 14 גלגלים (7x7) א-סימטרית לחומרת שער קובנולי M-MAX
- (BG) АСИМЕТРИЧНА КАРЕТА С ЧЕТИРИНАДЕСЕТ КОЛЕЛА (7 X 7) ЗА ОБКОВ ЗА КОНЗОЛНИ ВРАТИ M-MAX
- (KO) 캔틸레버 M-MAX 하드웨어용 비대칭 14륜 (7 X 7) 캐리지
- (SRB) ASIMETRIČNA KOLICA S ČETIRNAEST KOTAČA (7 X 7) ZA OKOV CANTILEVER M-MAX

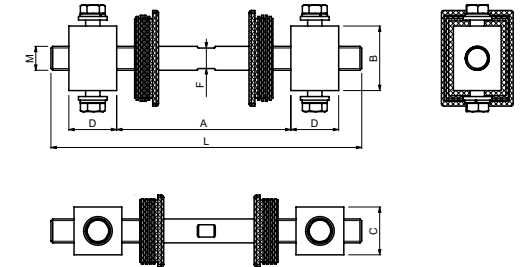
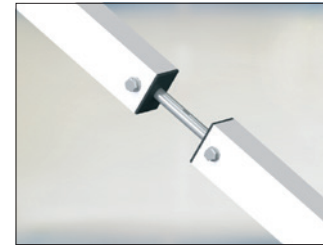
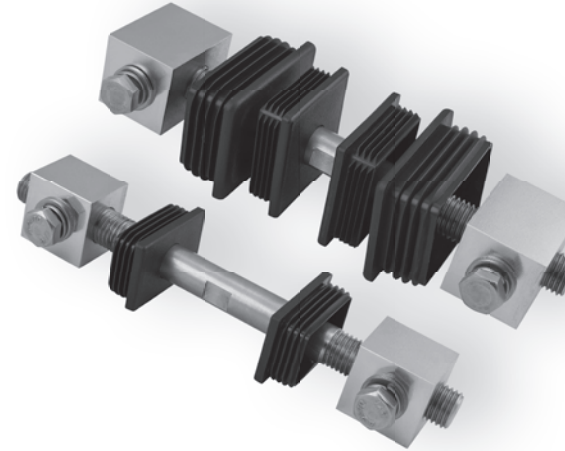
Art.	A	GUIDE	1pc	kg		CODE
	max. mm		kg	pcs	kg	
SPEED MK - MAX 14	10000	STAGE MZ - MAX 420	15	2	30	1700416



- (GB) INTERNAL GUIDE END STOP
- (D) INNENANSCHLAG FÜR „C“ PROFIL
- (F) BUTÉE INTERNE POUR GUIDE
- (E) TOPE FINAL DE GUÍA INTERNA
- (P) BATENTE GUIA INTERNA
- (I) FERMO DI FINE CORSA DELLA GUIDA INTERNA
- (DK) INTERN VANGEENDESTOP
- (NL) INTERNE GELEIDER EINDSTOP
- (N) ENDESTOPPER TIL INNVEDIG SKINNE
- (S) INTERNT GEJDÄNDSTOPP
- (FIN) SISÄINEN OHJAIMEN PÄÄN PYSÄYTIN
- (PL) WEWNĘTRZNY ODBOJNIK SZYNY
- (SK) DORAZ VNÚTORNÝ PRE NOSNÝ „C“ PROFIL
- (EE) SISEJUHIKU OTSALÕPP
- (LT) VIDINIO KREIPTUVO GALINIS RIBOKLIS
- (LV) IEKŠĒJAIS VADOTNES GALA AIZTURIS

- (CZ) DORAZ VNITRNÍ PRO ŠÍNU „C“ PROFIL
- (RO) GHIDAJ CAPĂT FINAL INTERN
- (HR) UNUTARNJI GRANIČNIK VODILICE
- (RUS) ВНУТРЕННИЙ ОГРАНИЧИТЕЛЬ НАПРАВЛЯЮЩЕГО РЕЛЬСА «С»
- (SLO) ZAUSTAVLJALNIK NOTRANJEGA VODILA
- (TR) DAHİLİ KIZAK UÇ TESPİT PARÇASI
- (AR) منع طرفي داخلي
- (CHN) 内导轨终点挡块
- (MAL) PENYENDAL Hujung Pandu Dalam
- (H) VEZETŐSÍN BELSŐ ÚTKÖZŐ
- (IL) מעצור פנימי גומי לקורה
- (BG) ВЪТРЕШЕН СТОПЕР ЗА РЕЛСА
- (KO) 내부 가이드 종단 정지대
- (SRB) UNUTRAŠNJI GRANIČNIK VODICE

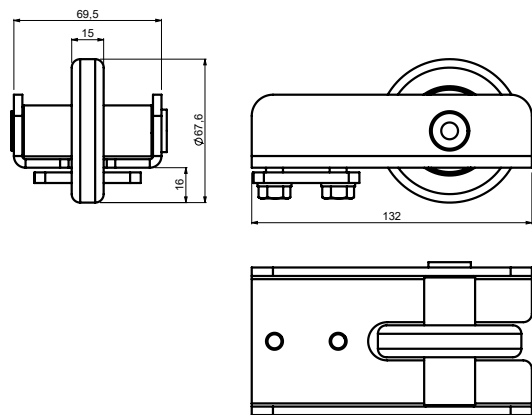
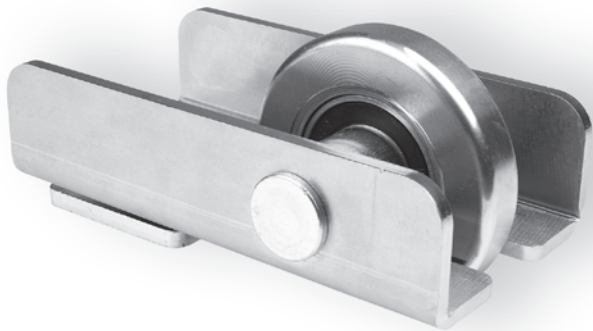
Art.	GUIDE	1pc			CODE
		kg	pcs	kg	
FINISH M	STAGE MB/MZ	0,48	10	4,8	1700017



- (GB) ADJUSTABLE TENSION BAR FOR CANTILEVER GATE
- (D) EINSTELLBARE ZUGSTANGE FÜR AUSLEGERTOR
- (F) BARRE DE TENSION RÉGLABLE POUR PORTAIL COULISSANT AUTOPORTANT
- (E) BARRA TENSORA AJUSTABLE PARA PORTÓN EN VOLADIZO
- (P) BARRA DE TENSÃO AJUSTÁVEL PARA PORTÃO CANTILEVER
- (I) TIRANTE DI REGOLAZIONE PER CANCELLO AUTOPORTANTE
- (DK) JUSTERBAR SPÆNDINGSSTANG TIL FRITVÆRENDE PORT
- (NL) VERSTELBARE SPANNINGSBAK VOOR SCHUIFFPOORT
- (N) JUSTERBAR STREKKSTANG FOR RULLEPORT
- (S) JUSTERBAR SPÄNNINGSSTANG FÖR FRIBÄRANDE GRIND
- (FIN) SÄÄDETTÄVÄ KIRISTYSTANKO ULOKEPORTTIIN
- (PL) REGULOWANA LISTWA NAPINAJĄCA DO BRAMY SAMONOŚNEJ
- (SK) NASTAVITELNÁ ŤAŽNÁ TYČ PRE SAMONOŠNÉ BRÁNY
- (EE) REGULĒERITAV PINGUTUSTALA KONSOLVÄRAVA JAOKS
- (LT) REGULIUOJAMA TRAUKĖ GEMBINIAMS VARTAMS
- (LV) REGULĒJAMS STĒPNIS KONSOLVEIDA VĀRTIEM

- (CZ) TENZNÍ TYČ S REGULACÍ PRO POSUVNOU SAMONOŠNOU BRÁNU
- (RO) BARĂ DE TENSIUNE REGLABILĂ PENTRU POARTĂ ÎN CONSOLĂ
- (HR) PRILAGODLJIVA STEZNA ŠIPKA ZA NOSIVA VRATA
- (RUS) РЕГУЛИРУЕМЫЙ РАСТЯНУТЫЙ СТЕРЖЕНЬ ДЛЯ САМОНЕСУЩИХ ВОРОТ
- (SLO) NASTAVLJIV NAPENJALNIK VZVOD ZA SAMONOSNA DRSNNA VRATA
- (TR) MANIVELA KAPI İÇİN AYARLANABİLİR GERİLİM ÇUBUĞU
- (AR) قضيب الشد القابل للتعديل لوابية الكابول
- (CHN) 可调节悬臂门拉杆
- (MAL) BAR TEGANGAN BOLEH LARAS UNTUK GET JULUR
- (H) ÁLLÍTHATÓ FESZÍTŐRŰD TOLÓKAPUHOZ
- (IL) מוט מתוחה מתכוונן לשיער קובול
- (BG) РЕГУЛИРУЕМ ОБТЕГАЧ ЗА КОНЗОЛНА ВРАТА
- (KO) 캔틸레버 게이트용 조절식 인장대
- (SRB) PODESIVA ZATEZNA ŠIPKA ZA SAMONOSIVU KAPIJU

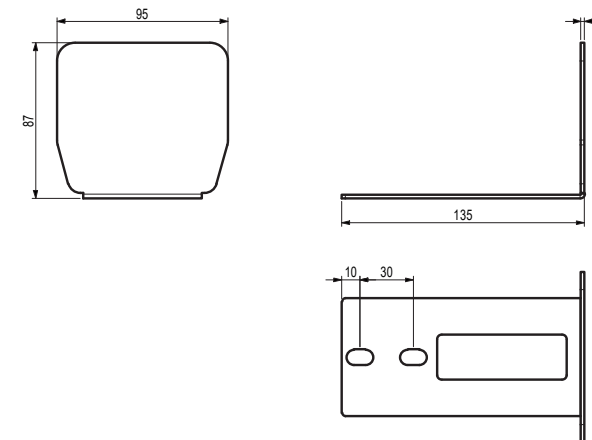
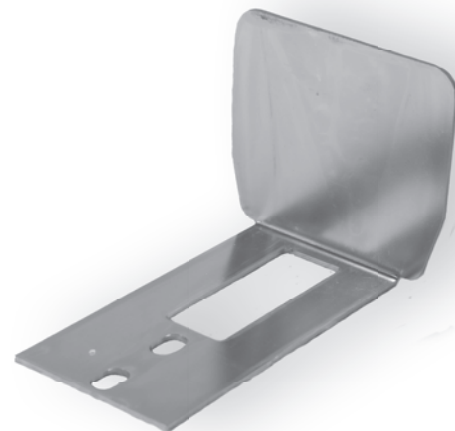
Art.		L	A min./max.	B	C	D	M	F	1pc			CODE
									kg	pcs	kg	
mm												
DIAGON 60	60x40	260	125 - 170	34	40	40	M20	17	1,39	2	2,78	1700237
DIAGON 80	80x60/60x60	260	125 - 180	54	40	40	M20	17	1,95	2	3,9	1700238



- (GB) GUIDE SUPPORT WHEEL FOR CANTILEVER GATE
- (D) STÜTZRAD FÜR FREITRAGENDE SCHIEBETORE
- (F) ROUE DE SUPPORT DE GUIDE POUR PORTAIL AUTOPORTANT
- (E) RUEDA CON SOPORTE DE GUÍA PARA PUERTA VOLADIZA
- (P) ROLDANA DE SUPORTE GUIA PARA PORTÃO CANTILEVER
- (I) RUOTA DI SOSTEGNO DELLA GUIDA PER CANCELLO AUTOPORTANTE
- (DK) VANGESTØTTEHJUL TIL FRITBÆRENDE PORT
- (NL) DRAAGWIEL VOOR GELEIDING VRIJDRAGENDE SCHUIFPOOR
- (N) STYRESKINNE FOR STØTTEHJUL TIL FRITTBÆRENDE PORT
- (S) STÖDHJUL FÖR FRIBÄRANDE GRIND
- (FIN) OHJAIMEN TUKIPYÖRÄ ULOKEKANNETTEISEEN PORTTIIN
- (PL) ROLKA NAJAZDOWA DO BRAM SAMONOŚNYCH
- (SK) NÁBEH S KLDKOU PRE POSUVNÚ SAMONOSNÚ BRÁNU
- (EE) JUHI TUGIRATAS KONSOOLVÄRAVA JAOKS
- (LT) KREIPTUVO ATRAMOS RATUKAS GEMBINIAMS VARTAMS
- (LV) VADOTNES BALSTA RULLĪTIS KONSOLVEIDA VĀRTIEM

- (CZ) NÁBĚH S KLDKOU PRO POSUVNOU SAMONOSNOU BRÁNU
- (RO) ROATĂ DE SUSȚINERE GHIDAJ PENTRU POARTA AUTOPORTANTĂ ÎN CONSOLĂ
- (HR) NOSIVI KOTAČ VODILICE ZA KLIZNA DVORIŠNA VRATA
- (RUS) КОНЦЕВОЙ РОЛИК ДЛЯ ОТКАТНЫХ САМОНЕСУЩИХ ВОРОТ
- (SLO) PODPORNO KOLO VODILA ZA SAMONOSNA DRŠNA VRATA
- (TR) KONSOL BAHÇE KAPISI İÇİN KIZAK DESTEK TEKERLEĞİ
- (AR) عجلة دعمية للبوابة المدعومة
- (CHN) 悬臂门导轨支轮
- (MAL) RODA SOKONGAN PANDU UNTUK PINTU PAGAR JULUR
- (H) VEZETŐ, MEGTÁMASZTÓ GÖRGŐ TOLÓKAPUHOZ
- (IL) גלגל תומך לשיער קונזולי
- (BG) РОЛКА ЗА РЕЛСА ЗА КОНЗОЛНА ВРАТА
- (KO) 캔틸레버 게이트용 가이드 지지 휠
- (SRB) NOSEĆI TOČKIĆ VODIČE ZA SAMONOSIVU KAPIJU

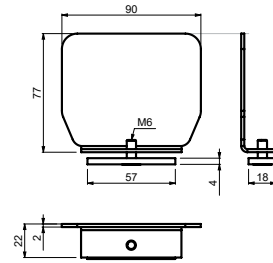
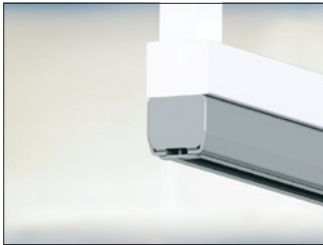
Art.	GUIDE	1pc			CODE
		kg	pcs	kg	
RUN M	STAGE MB/MZ	1,11	10	11,1	1700013



- (GB) END CAP WITH BOTTOM PLATE FOR CANTILEVER M GUIDE WHEEL
- (D) ENDKAPPE MIT BODENPLATTE FÜR CANTILEVER M-FÜHRUNGSRAD
- (F) CACHE D'EXTRÉMITÉ AVEC PLATINE BASSE POUR ROULETTE DE GUIDAGE PORTE-À-FAUX M
- (E) TAPA FINAL CON PLACA INFERIOR PARA RUEDA GUÍA EN VOLADIZO M
- (P) TAMPA DE EXTREMIDADE COM PLACA INFERIOR PARA RODA GUIA CANTILEVER M
- (I) CAPPUCINO TERMINALE CON PIASTRA INFERIORE PER RUOTA DI GUIDA CANTILEVER
- (DK) ENDEKAPPE MED BUNDPLADE TIL M-STYREHJUL TIL UDKRAGNING
- (NL) AFDEKKAP MET BODEMPLAAT VOOR LEIWIEL VAN CANTILEVER M
- (N) ENDEKAPPE MED BUNNPLATE FOR M-FORMET STYREHJUL TIL UTLIGGER
- (S) ÄNDKÅPA MED BOTTENPLATTA FÖR KONSOL M-STYRHJUL
- (FIN) PÄÄTYKAPPALE JA POHJALEVY ULOKEPALKIN M-OHJAUSPYÖRÄÄ VARTEN
- (PL) ZAŚLEPKA Z DOLNĄ PŁYTKĄ DO KOŁA PROWADZĄCEGO SYSTEMÓW WSPORNIKOWYCH TYPU M
- (SK) SPODNÁ KONCOVÁ PÁČICA VODIACEHO KOLIESKA SAMONOSNEJ POSUVNEJ BRÁNY S
- (EE) ALUSPLAADIGA OTSAKORK TIBVÄRAVA S JUHTRATTALE
- (LT) GALINIS DANGTELIS SU APATINE PLOKŠTELE, SKIRTAS KONSOLINIŲ VARTŲ M KREIPIAMAJAM RATUKUI
- (LV) GALA UZGALIS AR APAKŠĒJO PLĀKSNĪ ZOBSTIEŅĀ M VIRZOŠAJAM RITENIM

- (CZ) ZÁSLEPKA PRO ŠÍNU „C“ PROFIL, PRO RUN S
- (RO) CAPAC DE ÎNCHIDERE CU PLACĂ INFERIOARĂ PENTRU ROATĂ DE GHIDARE CANTILEVER M
- (HR) ZAVRŠNI ČEP S DONJOM PLOČOM ZA KOTAČ VODILICE CANTILEVER M
- (RUS) ТОРЦЕВАЯ ПЛАНКА С НИЖНЕЙ ПЛАСТИНОЙ ДЛЯ НАПРАВЛЯЮЩЕГО КОЛЕСА САМОНЕСУЩИХ ОТКАТНЫХ ВОРОТ M
- (SLO) POKROV S SPODNJO PLOŠČO ZA VODILNO KOLESCJE ZA SISTEM CANTILEVER M
- (TR) KONSOL KIRIŞ S KILAVUZ TEKERLEĞİ İÇİN ALT PLAKALI UÇ KAPAĞI
- (AR) عطاء طرفي مع لوحة سفلية لعجلة التوجيه حرف S للبوابة الكابولية
- (CHN) 用于悬臂梁S导向轮的带底板端盖
- (MAL) TUKUP HUJUNG DENGAN PLAT BAWAH UNTUK RODA PANDU JULUR M
- (H) VÉGZÁRÓ TALPLEMEZZEL M ÚSZÓKAPU VEZETŐKERÉKHEZ
- (IL) עבור שיער קונזולי M כיוסי קצה עם פלטה תחתונה לגלגל מוביל מסוג
- (BG) НАКРАЙНИК С ДОЛНА ПЛОЧА ЗА ВОДЕЩО КОЛЕЛО ЗА КОНЗОЛНИ ВРАТИ M
- (KO) 캔틸레버 S 가이드 휠용 하부 플레이트 일체형 엔드캡
- (SRB) ZAVRŠNI ČEP M DONJOM PLOČOM ZA KOTAČ VODILICE CANTILEVER

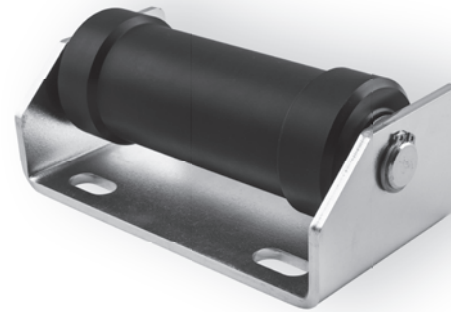
Art.	GUIDE	1pc			CODE
		kg	pcs	kg	
PILOT MR	STAGE MB/MZ	0,23	10	2,3	1700405



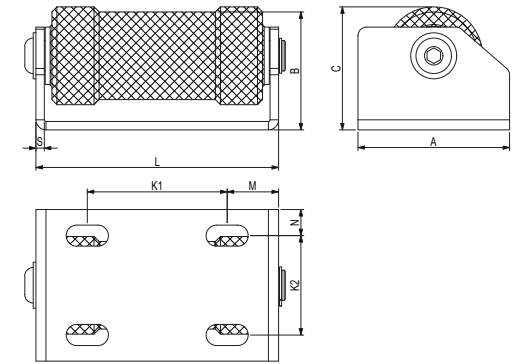
- (GB) GUIDE END CAP WITH SCREW, INDEPENDENT
- (D) ABSCHLUSSKAPPE FÜR „C“ PROFIL AUS STAHL MIT SCHRAUBE
- (F) CACHE D'EMBOU DE GUIDE AVEC VIS, INDÉPENDANT
- (E) TOPE FINAL DE GUÍA CON TUERCA, INDEPENDIENTE
- (P) TAMPA FINAL GUÍA COM PARAFUSO, INDEPENDENTE
- (I) COPERTURA TERMINALE DELLA GUIDA CON VITE, INDIPENDENTE
- (DK) VANGEENDEHÆTTE MED SKRUE, UAFHÆNGIG
- (NL) GELEIDER EINDKAP MET SCHROEF, ONAFHANKELIJK
- (N) ENDEBESLAG FOR SKINNE MED SKRUE, UAVHÆNGIG
- (S) GEJD SKYDDSKÅPA MED SKRUV, OBEROENDE
- (FIN) OHJAIMEN PÄÄN RUUVILLINEN KANSI, ERILLINEN
- (PL) ZĄSLEPKA KOŃCOWA SZYNY ZE ŚRUBĄ, NIEZALEŻNA
- (SK) ZÁSLEPKA PRE NOSNÝ „C“ PROFIL, NEZÁVISLÁ SO SKRUTKOU
- (EE) JUHIKU OTSAKÕRK KRUVIGA, ERALDI
- (LT) GALINIS KREIPTUVO DANGTELIS SU SRIEGIU, ATSKIRAS
- (LV) VADOTNES GALA VĀKS AR SKRŪVI, NEATKARĪGS

- (CZ) ZÁSLEPKA PRO ŠINU „C“ PROFIL, NEZÁVISLÁ SE ŠROUBEM
- (RO) OPRITOR CURSĂ ACOPERIRE GHIDAJ CU FILET, INDEPENDENT
- (HR) ČEP VODILICE S VIJAKOM, NEOVISAN
- (RUS) ЗАГЛУШКА НАПРАВЛЯЮЩЕГО РЕЛЬСА «С», НЕЗАВИСИМАЯ, С ВИНТОМ
- (SLO) ZAKLJUČNI POKROV VODILA Z VIJAKOM, NEODVISEN
- (TR) VİDALI KIZAK UÇ LASTIĞI, BAĞIMSIZ
- (AR) عطاء طرفي دليلي مع برغي، مستقل
- (CHN) 导轨独立式螺钉紧固端盖
- (MAL) PENUTUP Hujung PANDU DENGAN SKRU, BEBAS
- (H) VEZETŐSÍN LEZÁRÓ-ELEM CSAVARRAL, FÜGGETLEN
- (IL) מססה קצה קורה קדמולית עם בורג, עצמאי
- (BG) КРАЙНА КАПАЧКА ЗА РЕЛСА С ВИНТ, САМОСТОЯТЕЛНА
- (KO) 나사가 있는 가이드 종단 캡, 독립식
- (SRB) ČEP VODICE ZA SAVRTNJEM, NEZAVISAN

Art.	GUIDE	1pc			CODE
		kg	pcs	kg	
PILOT MN	STAGE MB/MZ	0,15	10	1,5	1700016



DESIGNED FOR
STRAIGHT ROLLING
MOVEMENT



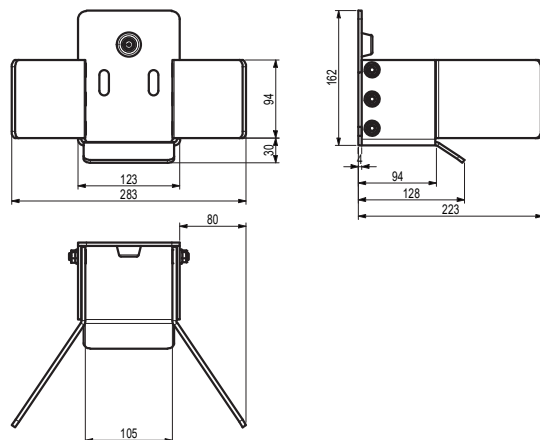
- (GB) SUPPORT ROLLER FOR CANTILEVER GATE
- (D) STÜTZROLLE FÜR AUSLEGERTOR
- (F) ROULEAU DE SUPPORT POUR PORTAIL COULISSANT AUTOPORTANT
- (E) RODILLO DE SOPORTE PARA PORTÓN EN VOLADIZO
- (P) ROLÓ DE SUPORTE PARA PORTÃO DE CANTILEVER
- (I) RULLO DI SOSTEGNO PER CANCELLO AUTOPORTANTE
- (DK) STØTTERULLE TIL FRITBÆRENDE PORT
- (NL) STEUNROL VOOR SCHUIFPOORT
- (N) STØTTERULLE FOR RULLEPORT
- (S) STÖDRULLE FÖR FRIBÄRANDE GRIND
- (FIN) TUKIRULLA ULOKEPORTTIIN
- (PL) ROLKA DOLNA DO BRAMY SAMONOŚNEJ
- (SK) PODPORNÝ VALEC PRE SAMONOSNÉ BRÁNY
- (EE) TUGIRULLIK KONSOLVÄRAVA JAKKS
- (LT) ATRAMINIS RITINĖLIS GEMBINIAMS VARTAMS
- (LV) BALSTA RULLĪTIS KONSOLVEIDA VĀRTIEM

- (CZ) KONZOLA S KLDKOU PRO PODPĚRU POSUVNÉ SAMONOSNÉ BRÁNY
- (RO) ROLĂ DE SUSȚINERE PENTRU POARTA ÎN CONSOLĂ
- (HR) POTPORNÍ VALJAK ZA NOSIVA VRATA
- (RUS) ОПОРНЫЙ РОЛИК ДЛЯ САМОНЕСУЩИХ ВОРОТ
- (SLO) PODPORNÍ VALJ ZA SAMONOSNA DRSNA VRATA
- (TR) MANİVELA KAPİ İÇİN DESTEK MAKARASI
- (AR) اسطوانة الدعم لوابية الكابول
- (CHN) 悬臂门支撑滚
- (MAL) PENGGELEK SOKONGAN UNTUK GET JULUR
- (H) TARTÓGÖRGŐ TOLÓKAPUHOZ
- (IL) גלגל תמיכה לשיער קונולי
- (BG) ПОДДЪРЖАЩА РОЛКА ЗА КОНЗОЛНА ВРАТА
- (KO) 캔틸레버 게이트용 지지 롤러
- (SRB) NOSEĆI VALJAK ZA SAMONOSIVU KAPIJU

Art.	L	A	B	C	J	K1	K2	M	N	S	1pc			CODE	
											kg	pcs	kg		
													mm		
DRIVESHAFT 80	144	90	70	73	13x25	107	60	31	15	5	1,37	4	5,48	1700332	
DRIVESHAFT 100	169	90	70	73	13x25	107	60	31	15	5	1,56	4	6,24	1700333	




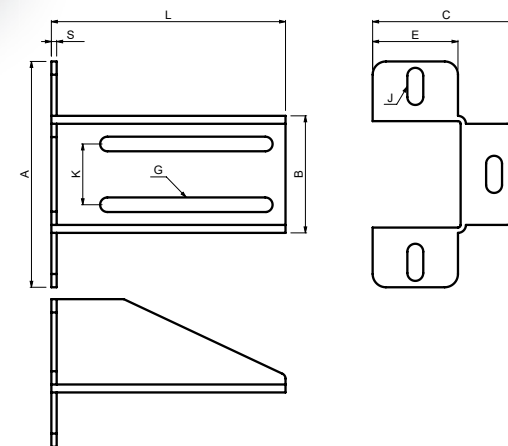
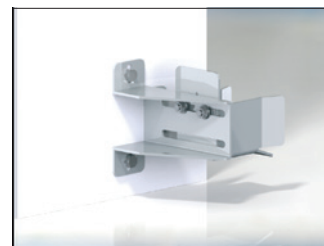
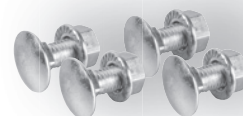
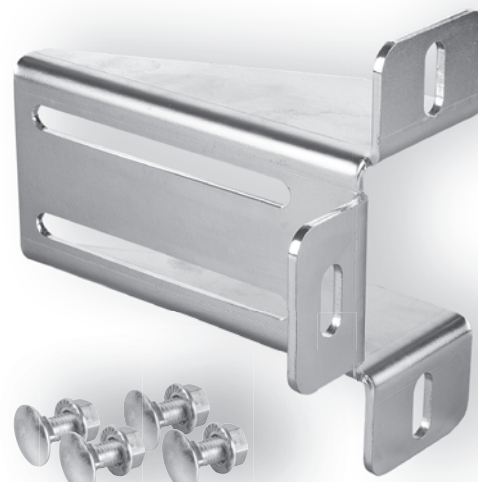
NEW



- (GB) END STOP FOR CANTILEVER GATE
- (D) EINLAUFSCHUH FÜR FREITRAGENDE SCHIEBETORE
- (F) BUTÉE POUR PORTAIL AUTOPORTANT
- (E) TOPE FINAL PARA PUERTA VOLADIZA
- (P) BATEANTE PARA PORTÃO CANTILEVER
- (I) FERMO DI FINE CORSA PER CANCELLO AUTOPORTANTE
- (DK) ENDESTOP TIL FRITTBÆRENDE PORT
- (NL) EINDSTOP VOOR VRIJDRAGENDE SCHUIFPOORT
- (N) ENDESTOPPER FOR FRITTBÆRENDE PORT
- (S) ÄNDSTOPP FÖR FRIBÄRENDE GRIND
- (FIN) PÄÄTYPYSÄYTIN ULKEKANNETIEISEEN PORTTIIN
- (PL) ODBOJNIK DO BRAM SAMONOŚNYCH
- (SK) DOJAZDOVÁ KAPSA SPODNÁ PRE POSUVNÚ SAMONOSNÚ BRÁNU
- (EE) OTSALÕPP KONSOLVÄRAVA JAOKS
- (LT) GALINIS RIBOKLIS GEMBINIAMS VARTAMS
- (LV) GALA AIZTURIS KONSOLVEIDA VÄRTIEM


- (CZ) DOJEZDOVÁ KAPSA SPODNÍ PRO POSUVNOU SAMONOSNOU BRÁNU
- (RO) OPRITOR CURSĂ PENTRU POARTA AUTOPORTANTĂ ÎN CONSOLĂ
- (HR) GRANIČNIK ZA KLIZNA DVORIŠNA VRATA
- (RUS) УПРАВЛИВАТЕЛЬ НИЖНИЙ ДЛЯ ОТКАТНЫХ САМОНЕСУЩИХ ВОРОТ
- (SLO) ZAUSTAVLJALNIK ZA SAMONOSNA DRŠNA VRATA
- (TR) KONSOL BAŇÇE KAPISI İÇİN UÇ TESPİT PARÇASI
- (AR) المداع الطرفي للوابة المدعة
- (CHN) 悬臂门终点挡块
- (MAL) PENYENDAL HUJUNG UNTUK PINTU PAGAR JULUR
- (H) ÜTKÖZŐ TOLÓKAPUHOZ
- (IL) מקביל קצה לשער קונדולי
- (BG) СТОПЕР ЗА КОНЗОЛНА ВРАТА
- (KO) 캔틸레버 게이트용 종단 장치대
- (SRB) GRANIČNIK ZA SAMONOSIVU KAPIJU

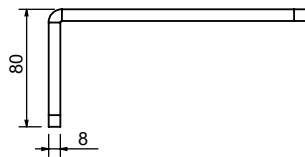
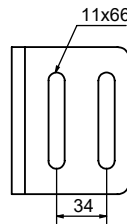
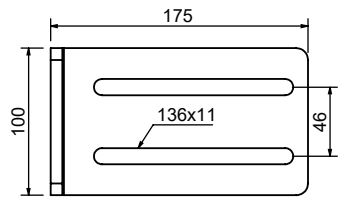
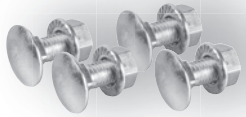
Art.	GUIDE	1pc			CODE
		kg	pcs	kg	
LAST M - MAX	STAGE MB / MZ / MAX 420	3,44	1	3,44	1700391



- (GB) END STOP BRACKET
- (D) KONSOLE FÜR EINLAUFSCHUH
- (F) ÉTRIER POUR BUTÉE
- (E) SOPORTE DE TOPE FINAL
- (P) SUPORTE DE BATEANTE
- (I) STAFFA PER FERMO DI FINE CORSA
- (DK) ENDESTOP BESLAG
- (NL) EINDSTOP BEVESTIGINGSBEUGEL
- (N) STOPPEBRAKETT
- (S) ÄNDSTOPP KONSOL
- (FIN) PÄÄTYPYSÄYTTIMEN KANNATIN
- (PL) WSPORNIK ODBOJNIKA
- (SK) KONSOLA PRE DOJAZDOVÚ KAPSU
- (EE) OTSALÕPU KLAMBER
- (LT) GALINIO RIBOKLIO GEMBĖ
- (LV) GALA AIZTURA KRONSĒSTEM

- (CZ) KONSOLA PRO DOJEZDOVOU KAPSU
- (RO) OPRITOR CURSĂ CONSOLĂ
- (HR) KONSOLA GRANIČNIKA
- (RUS) КРОНШТЕЙН УПРАВЛИВАТЕЛЯ
- (SLO) OPORNIK ZAUSTAVLJALNIKA
- (TR) UÇ TESPİT PARÇASI DIRSEĞİ
- (AR) سنادة المداع الطرفي
- (CHN) 终点挡块支座
- (MAL) PENDAKAP PENYENDAL HUJUNG
- (H) ÜTKÖZŐ-KERET
- (IL) תופסן למקביל קצה
- (BG) СКОБА ЗА СТОПЕР
- (KO) 종단 장치대 브래킷
- (SRB) KONSOLA GRANIČNIKA

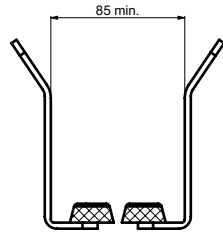
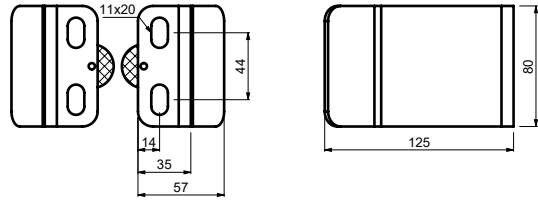
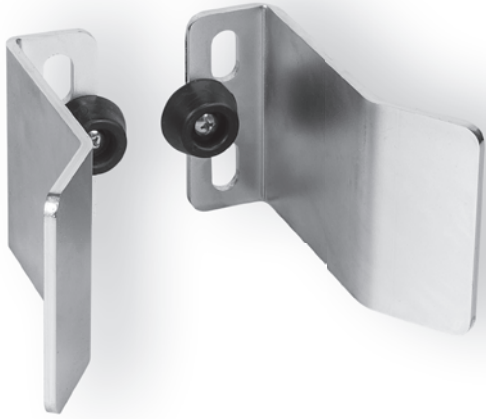
Art.	L	A	B	C	E	G	J	K	S	END STOP	1pc			CODE
											kg	pcs	kg	
mm														
PARK	175	170	88	95	50	11x132	12x30	46	4	LAST/PADDOCK	1,11	2	2,22	1700006
PARK 240	245	170	88	95	50	11x200	12x30	46	4	LAST/PADDOCK	1,35	2	2,7	1700196



- (GB) END STOP BRACKET
- (D) KONSOLE FÜR EINLAUFSCHUH
- (F) ÉTRIER POUR BUTÉE
- (E) SOPORTE DE TOPE FINAL
- (P) SUPORTE DE BATERTE
- (I) STAFFA PER FERMO DI FINE CORSA
- (DK) ENDESTOP BESLAG
- (NL) EINDSTOP BEVESTIGINGSBEUGEL
- (N) STOPPEBRACKET
- (S) ÄNDSTOPP KONSOL
- (FIN) PÄÄTYPYSÄYTTIMEN KANNATIN
- (PL) WSPORNIK ODBOJNIKA
- (SK) KONZOLA PRE DOJAZDOVÚ KAPSU
- (EE) OTSALÕPU KLAMBER
- (LT) GALINIO RIBOKLIO GEMBĖ
- (LV) GALA AIZTURA KRONŠTEINS

- (CZ) KONZOLA PRO DOJEZDOVOU KAPSU
- (RO) OPRITOR CURSĂ CONSOLĂ
- (HR) KONZOLA GRANIČNIKA
- (RUS) КРОНШТЕЙН УЛАВЛИВАТЕЛЯ
- (SLO) OPORNIK ZAUSTAVLJALNIKA
- (TR) UÇ TESPİT PARÇASI DİRSEĞİ
- (AR) سفدة المنع الطرفي
- (CHN) 终点挡块支座
- (MAL) PENDAKAP PENYENDAL HUJUNG
- (H) ÚTKÖZŐ-KERET
- (IL) תופסן למקביל קצה
- (BG) СКОБА ЗА СТОПЕР
- (KO) 종단 정지대 브래킷
- (SRB) KONZOLA GRANIČNIKA

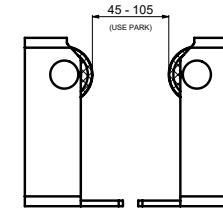
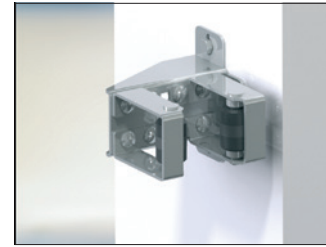
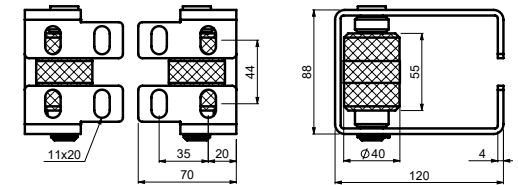
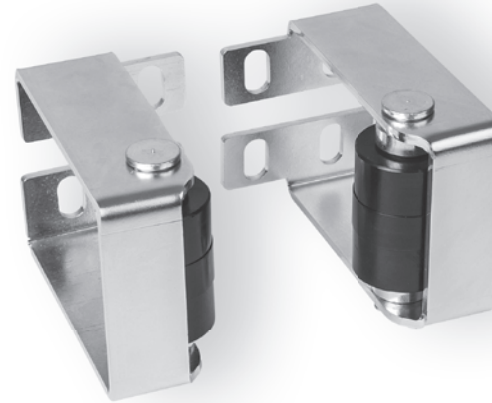
Art.	BRACKET	1pc		CODE	
		kg	pcs		kg
PARK CSM	LAST/PADDOCK	1,36	2	2,72	1700359
PARK CSM 240	LAST/PADDOCK	1,72	2	3,44	1700399



- (GB) END STOP
- (D) ENDANSCHLAG
- (F) BUTÉE
- (E) TOPE FINAL
- (P) FIM DE CURSO
- (I) ARRESTO TERMINALE
- (DK) ENDESTOP
- (NL) EINDSTOP
- (N) ENDESTOPP
- (S) ÄNDSTOPP
- (FIN) RAJOITIN
- (PL) ZDERZAK KRAŃCOWY
- (SK) DORAZ
- (EE) OTSA LÕPP
- (LT) GALINIS RIBOKLIS
- (LV) GALA AIZTURIS

- (CZ) KONCOVÝ DORAZ
- (RO) OPRITOR FINAL
- (HR) GRANIČNIK
- (RUS) КОНЦЕВОЙ УПОР
- (SLO) KONČNI ELEMENT
- (TR) UÇ TIPASI
- (AR) نقطة التوقف
- (CHN) 限位挡块
- (MAL) ADANG HUJUNG
- (H) VÉGÚTKÖZŐ
- (IL) מקביל מתכוונן עם מעצור גומי
- (BG) СТОПЕР
- (KO) 종단 정지대
- (SRB) GRANIČNIK

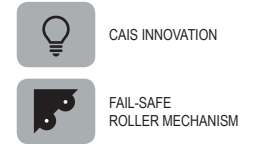
Art.	BRACKET	1pc		CODE
		kg	pcs	
PADDOCK SM	PARK/PARK 240/ PARK CSM	0,78	2	1700194

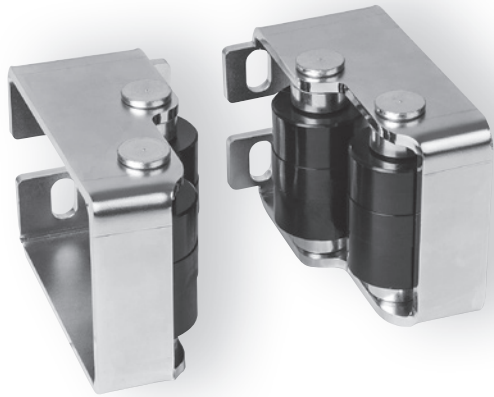


- (GB) END STOP WITH ROLLER
- (D) ENDANSCHLAG MIT ROLLE
- (F) BUTÉE AVEC ROULEAU
- (E) TOPE FINAL CON RODILLO
- (P) FIM DE CURSO COM ROLO
- (I) ARRESTO TERMINALE CON RULLO
- (DK) ENDESTOP MED VALSE
- (NL) EINDSTOP MET ROLLEN
- (N) ENDESTOPP MED RULLE
- (S) ÄNDSTOPP MED RULLE
- (FIN) RAJOITIN RULLALLA
- (PL) ZDERZAK KRAŃCOWY Z ROLKĄ
- (SK) DORAZ S VALČEKOM
- (EE) OTSALÕPP RULLIKUGA
- (LT) GALINIS RIBOKLIS SU RITINĖLIU
- (LV) GALA AIZTURIS AR RULLĪTI

- (CZ) KONCOVÝ DORAZ S KLDKOU
- (RO) OPRITOR FINAL CU ROLĂ
- (HR) GRANIČNIK S VALJKOM
- (RUS) КОНЦЕВОЙ УПОР С РОЛИКОМ
- (SLO) KONČNI ELEMENT S KOLESCEM
- (TR) MAKARALI UÇ TIPASI
- (AR) نقطة التوقف المزودة بكرة
- (CHN) 帶轆子的限位挡块
- (MAL) ADANG HUJUNG DENGAN PENGGELEK
- (H) VÉGÚTKÖZŐ GÖRGŐVEL
- (IL) מקביל קצה עם גלגלי אוקולין
- (BG) СТОПЕР С РОЛКА
- (KO) 롤러가 있는 종단 정지대
- (SRB) GRANIČNIK SA VALJKOM

Art.	BRACKET	1pc		CODE
		kg	pcs	
PADDOCK 2	PARK/PARK 240/ PARK CSM	1,4	2	1700182

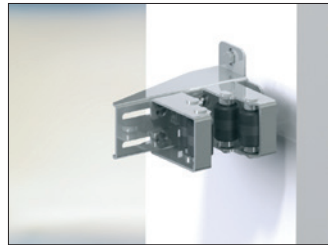
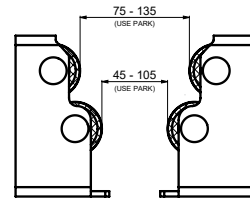
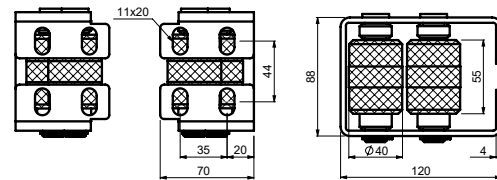




CAIS INNOVATION



FAIL-SAFE ROLLER MECHANISM



- (GB) END STOP WITH ROLLER
- (D) ENDANSCHLAG MIT ROLLE
- (F) BUTÉE AVEC ROULEAU
- (E) TOPE FINAL CON RODILLO
- (P) FIM DE CURSO COM ROLO
- (I) ARRESTO TERMINALE CON RULLO
- (DK) ENDESTOP MED VALSE
- (NL) EINDSTOP MET ROLLEN
- (N) ENDESTOPP MED RULLE
- (S) ÅNDSTOPP MED RULLE
- (FIN) RAJOITIN RULLALLA
- (PL) ZDERZAK KRAŃCOWY Z ROLKĄ
- (SK) DORAZ S VALČEKOM
- (EE) OTSALÕPP RULLIKUGA
- (LT) GALINIS RIBOKLIS SU RITINĖLIU
- (LV) GALA AIZTURIS AR RULLĪTI

- (CZ) KONCOVÝ DORAZ S KLADKOU
- (RO) OPRITOR FINAL CU ROLĂ
- (HR) GRANIČNIK S VALJKOM
- (RUS) КОНЦЕВОЙ УПОР С РОЛИКОМ
- (SLO) KONČNI ELEMENT S KOLESCEM
- (TR) MAKARALI UÇ TIPASI
- (AR) نقطة التوقف المزودة بكرة
- (CHN) 帶繩子的限位擋塊
- (MAL) ADANG HUUJUNG DENGAN PENGGELEK
- (H) VÉGÜTKÖZŐ GÖRGŐVEL
- (IL) מקבל מחסונו עם גלגלי אוקולין
- (BG) СТОПЕР С РОЛКА
- (KO) 롤러가 있는 종단 장치대
- (SRB) GRANIČNIK SA VALJKOM

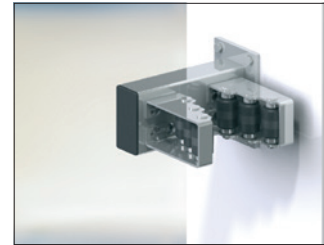
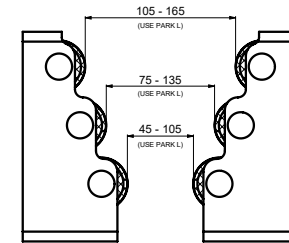
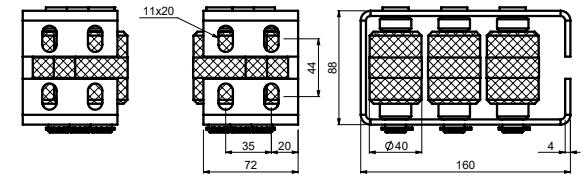
Art.	BRACKET	1pc		CODE
		kg	pc	
PADDOCK 4	PARK/PARK 240/ PACK CSM	2,1	1	1700191



CAIS INNOVATION



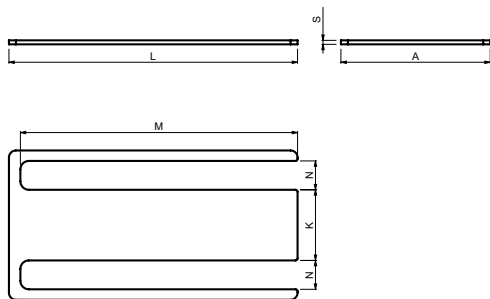
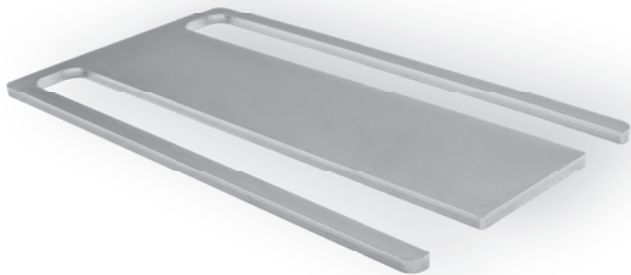
FAIL-SAFE ROLLER MECHANISM



- (GB) END STOP WITH ROLLER
- (D) ENDANSCHLAG MIT ROLLE
- (F) BUTÉE AVEC ROULEAU
- (E) TOPE FINAL CON RODILLO
- (P) FIM DE CURSO COM ROLO
- (I) ARRESTO TERMINALE CON RULLO
- (DK) ENDESTOP MED VALSE
- (NL) EINDSTOP MET ROLLEN
- (N) ENDESTOPP MED RULLE
- (S) ÅNDSTOPP MED RULLE
- (FIN) RAJOITIN RULLALLA
- (PL) ZDERZAK KRAŃCOWY Z ROLKĄ
- (SK) DORAZ S VALČEKOM
- (EE) OTSALÕPP RULLIKUGA
- (LT) GALINIS RIBOKLIS SU RITINĖLIU
- (LV) GALA AIZTURIS AR RULLĪTI

- (CZ) KONCOVÝ DORAZ S KLADKOU
- (RO) OPRITOR FINAL CU ROLĂ
- (HR) GRANIČNIK S VALJKOM
- (RUS) КОНЦЕВОЙ УПОР С РОЛИКОМ
- (SLO) KONČNI ELEMENT S KOLESCEM
- (TR) MAKARALI UÇ TIPASI
- (AR) نقطة التوقف المزودة بكرة
- (CHN) 帶繩子的限位擋塊
- (MAL) ADANG HUUJUNG DENGAN PENGGELEK
- (H) VÉGÜTKÖZŐ GÖRGŐVEL
- (IL) מקבל מחסונו עם גלגלי אוקולין
- (BG) СТОПЕР С РОЛКА
- (KO) 롤러가 있는 종단 장치대
- (SRB) GRANIČNIK SA VALJKOM

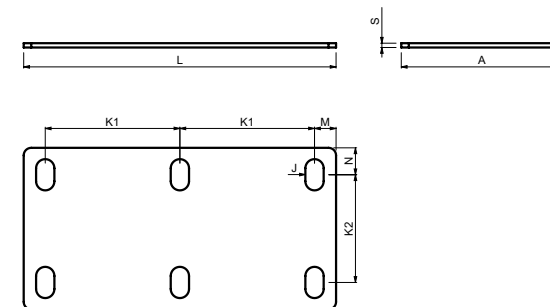
Art.	BRACKET	1pc		CODE
		kg	pc	
PADDOCK 6	PARK L/PARK L 350	3,12	1	1700192



- (GB) WASHER FOR CANTILEVER CARRIAGE
- (D) UNTERLEGSCHIBE FÜR AUSLEGGERSCHLITTEN
- (F) RONDELLE POUR CHARIOT CANTILEVER
- (E) TUERCA PARA CARRO EN VOLADIZO
- (P) ARRUELA PARA TRANSPORTE DE CANTILEVER
- (I) RONDELLA PER CARRELLO CANCELLO AUTOPORTANTE
- (DK) SKIVE TIL FRITBÆRENDE PORT
- (NL) RING VOOR SCHUIFWAGEN
- (N) SKIVE FOR RULLEPORTVOGN
- (S) BRICKA FÖR FRIBÄRANDE GRINDVAGN
- (FIN) ALUSLEVY ULOKETELINEESEEN
- (PL) PODKLADKA DO WÓZKA BRAMY SAMONOŚNEJ
- (SK) PODLOŽKA PRE SAMONOSNÝ NOSNÍK
- (EE) SEIB KONSOOLALUSE JAOKS
- (LT) POVERŽLĖ GEMBINIŲ VARTŲ VEŽIMĖLIUI
- (LV) PĀPLĀKSNE KONSOLĒS NESOŠĀJAM RUĻĻU BLOKAM

- (CZ) PODLOŽKA PRO VOZÍK
- (RO) ȘAIBĂ PENTRU SISTEMUL DE CULISARE ÎN CONSOLĂ
- (HR) PODLOŠKA ZA NOSIVO PODVOZJE
- (RUS) ШАЙБА ДЛЯ РОЛИКОВЫХ ТЕЛЕЖЕК САМОНЕСУЩИХ ВОРОТ
- (SLO) PODLOŽKA ZA VOZIČEK
- (TR) MANIVELA TAŞIYICISI İÇİN RONDELA
- (AR) حلبة لثوابية الكترول
- (CHN) 悬臂架垫片
- (MAL) SESENDAL UNTUK PEMBAWA JULUR
- (H) ALÁTÉT TOLÓKAPU FUTÓKOCSIHOZ
- (IL) הקטן לגלגלים לקונדול
- (BG) ВЛОЖКА ЗА КОНЗОЛНА КОЛИЧКА
- (KO) 캔틸레버 이송대용 와셔
- (SRB) PODLOŠKA ZA SAMONOSIVU KAPIJU

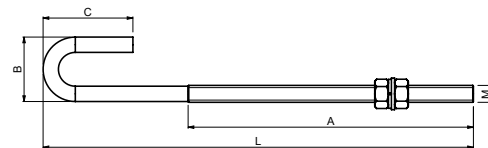
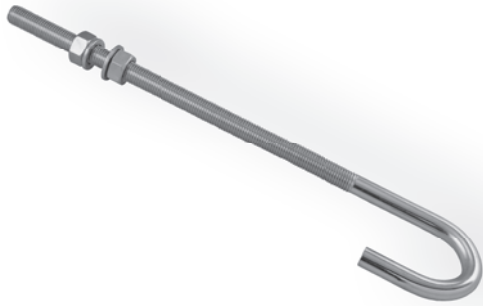
Art.	L	A	K	M	N	S	CARRIAGE	1pc	📦			CODE
								kg	pcs	kg		
	mm											
DESK M 2	290	150	72	279	27	2	SPEED M	0,42	4	1,68		1700326
DESK M 4	290	150	72	279	27	4	SPEED M	0,84	4	3,36		1700327
DESK M 6	290	150	72	279	27	6	SPEED M	1,26	4	5,04		1700328



- (GB) WASHER FOR CANTILEVER CARRIAGE
- (D) UNTERLEGSCHIBE FÜR AUSLEGGERSCHLITTEN
- (F) RONDELLE POUR CHARIOT CANTILEVER
- (E) TUERCA PARA CARRO EN VOLADIZO
- (P) ARRUELA PARA TRANSPORTE DE CANTILEVER
- (I) RONDELLA PER CARRELLO CANCELLO AUTOPORTANTE
- (DK) SKIVE TIL FRITBÆRENDE PORT
- (NL) RING VOOR SCHUIFWAGEN
- (N) SKIVE FOR RULLEPORTVOGN
- (S) BRICKA FÖR FRIBÄRANDE GRINDVAGN
- (FIN) ALUSLEVY ULOKETELINEESEEN
- (PL) PODKLADKA DO WÓZKA BRAMY SAMONOŚNEJ
- (SK) PODLOŽKA PRE SAMONOSNÝ NOSNÍK
- (EE) SEIB KONSOOLALUSE JAOKS
- (LT) POVERŽLĖ GEMBINIŲ VARTŲ VEŽIMĖLIUI
- (LV) PĀPLĀKSNE KONSOLĒS NESOŠĀJAM RUĻĻU BLOKAM

- (CZ) PODLOŽKA PRO VOZÍK
- (RO) ȘAIBĂ PENTRU SISTEMUL DE CULISARE ÎN CONSOLĂ
- (HR) PODLOŠKA ZA NOSIVO PODVOZJE
- (RUS) ШАЙБА ДЛЯ РОЛИКОВЫХ ТЕЛЕЖЕК САМОНЕСУЩИХ ВОРОТ
- (SLO) PODLOŽKA ZA VOZIČEK
- (TR) MANIVELA TAŞIYICISI İÇİN RONDELA
- (AR) حلبة لثوابية الكترول
- (CHN) 悬臂架垫片
- (MAL) SESENDAL UNTUK PEMBAWA JULUR
- (H) ALÁTÉT TOLÓKAPU FUTÓKOCSIHOZ
- (IL) הקטן לגלגלים לקונדול
- (BG) ВЛОЖКА ЗА КОНЗОЛНА КОЛИЧКА
- (KO) 캔틸레버 이송대용 와셔
- (SRB) PODLOŠKA ZA SAMONOSIVU KAPIJU

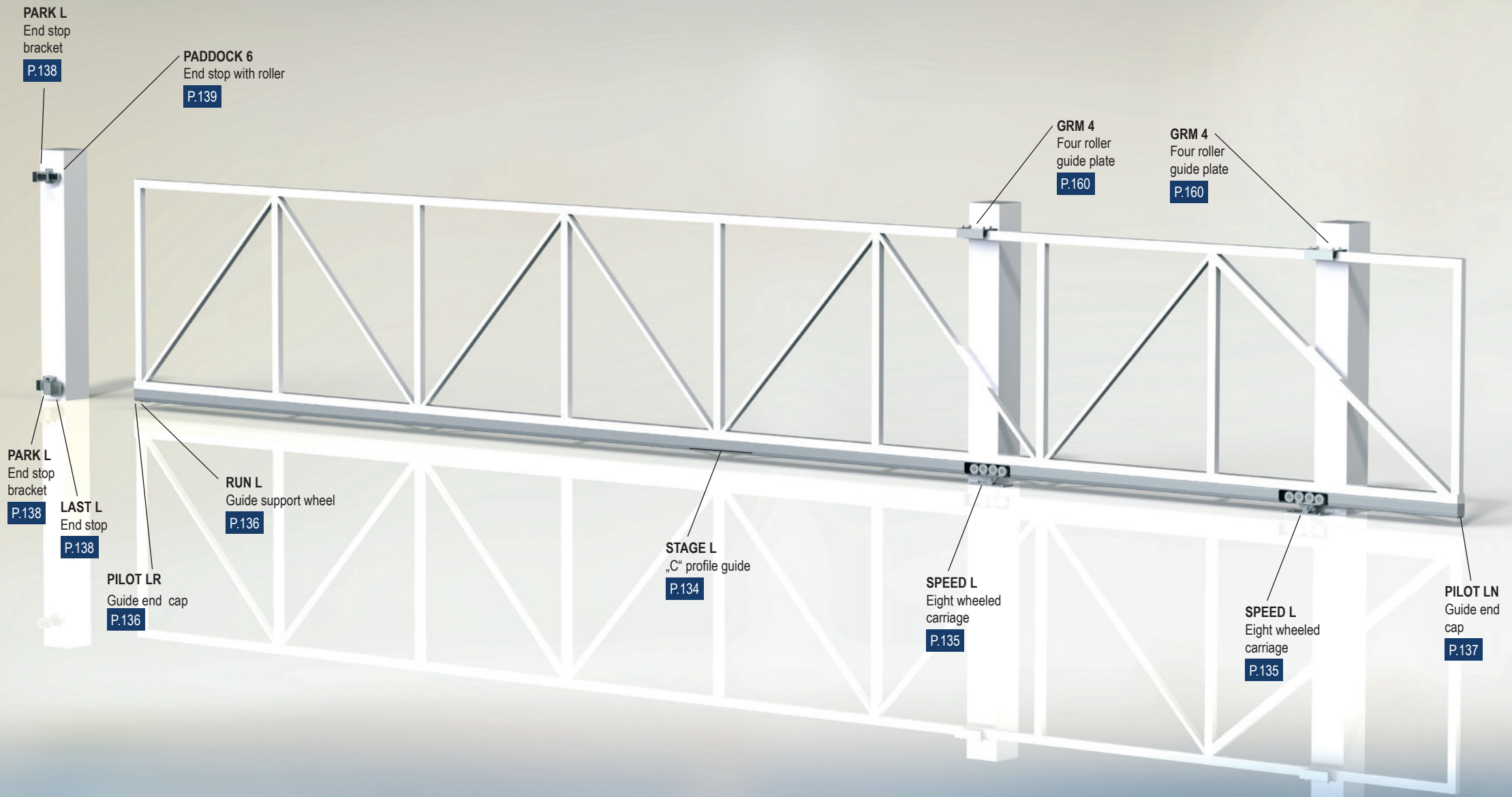
Art.	L	A	J	K1	K2	M	N	S	CARRIAGE	1pc	📦			CODE
										kg	pcs	kg		
	mm													
RAMP M 2	290	150	17x27	125	99	20	25,5	2	SPEED M	0,65	4	2,6		1700295
RAMP M 4	290	150	17x27	125	99	20	25,5	4	SPEED M	1,23	4	4,92		1700296
RAMP M 6	290	150	17x27	125	99	20	25,5	6	SPEED M	1,85	4	7,4		1700297



- (GB) FIXING BAR FOR CANTILEVER CARRIAGE
- (D) BEFESTIGUNGSSTANGE FÜR AUSLEGERSCHLITTEN
- (F) BARRE DE FIXATION POUR CHARIOT CANTILEVER
- (E) BARRA DE FIJACIÓN PARA CARRO EN VOLADIZO
- (P) BARRA DE FIXAÇÃO DE TRANSPORTE DE CANTILEVER
- (I) BARRA DI FISSAGGIO PER CARRELLO CANCELLO AUTOPORTANTE
- (DK) FASTGØRELSESSTANG TIL FRITBÆRENDE PORT
- (NL) BEVESTIGINGSBALK VOOR SCHUIFWAGEN
- (N) FESTESTANG FOR RULLEPORT
- (S) FÄSTBALK FÖR FRIBÄRANDE GRINDVAGN
- (FIN) KIINNITYSPALKKI ULOKETELINEESEEN
- (PL) LISTWA MOCUJĄCA DO WÓZKA BRAMY SAMONOŚNEJ
- (SK) UPEVNŔOVACIA TYČ PRE SAMONOSNÝ NOSNÍK
- (EE) FIKSEERIMISTALA KONSOLALUSE JAOKS
- (LT) TVIRTINIMO STRYPAS GEMINIŲ VARTŲ VEŽIMĖLIUI
- (LV) FIKSĒJOŠAIS STIENIS KONSOLĒS NESOŠAJAM RUĻĻU BLOKAM

- (CZ) FIXAČNÍ TYČ PRO VOZÍK
- (RO) BARĂ DE FIXARE PENTRU SISTEMUL DE CULISARE ÎN CONSOLĂ
- (HR) FIKSIRAJUĆA ŠIPKA ZA NOSIVO PODVOZJE
- (RUS) КРЕПЕЖНЫЙ СТЕРЖЕНЬ ДЛЯ РОЛИКОВЫХ ТЕЛЕЖЕК САМОНЕСУЩИХ ВОРОТ
- (SLO) PRITRDILNI DROG ZA VOZIČEK
- (TR) MANIVELA TAŞIYICISI İÇİN SABITLEME ÇUBUĞU
- (AR) قضيب التثبيت لواء الكابول
- (CHN) 悬臂架固定条
- (MAL) BAR IKATAN UNTUK PEMBAWA JULUR
- (H) RÖGZÍTŐRÚD TOLÓKAPU FUTÓKÖCSIHOZ
- (IL) מוט קיבוע ללגללים ל קרונוזלי
- (BG) ФИКСАТОР ЗА КОНЗОЛНА КОЛИЧКА
- (KO) 캔틸레버 이동대용 고정대
- (SRB) FIKSIRAJUĆA ŠIPKA ZA SAMONOSIVU KAPIJU










Art.	L	A	B	C	M	WASHER	1pc				CODE
mm							kg	pcs	kg		
CLINCH 16	410	300	60	80	M16	RAMP	0,72	12	8,64	1700239	

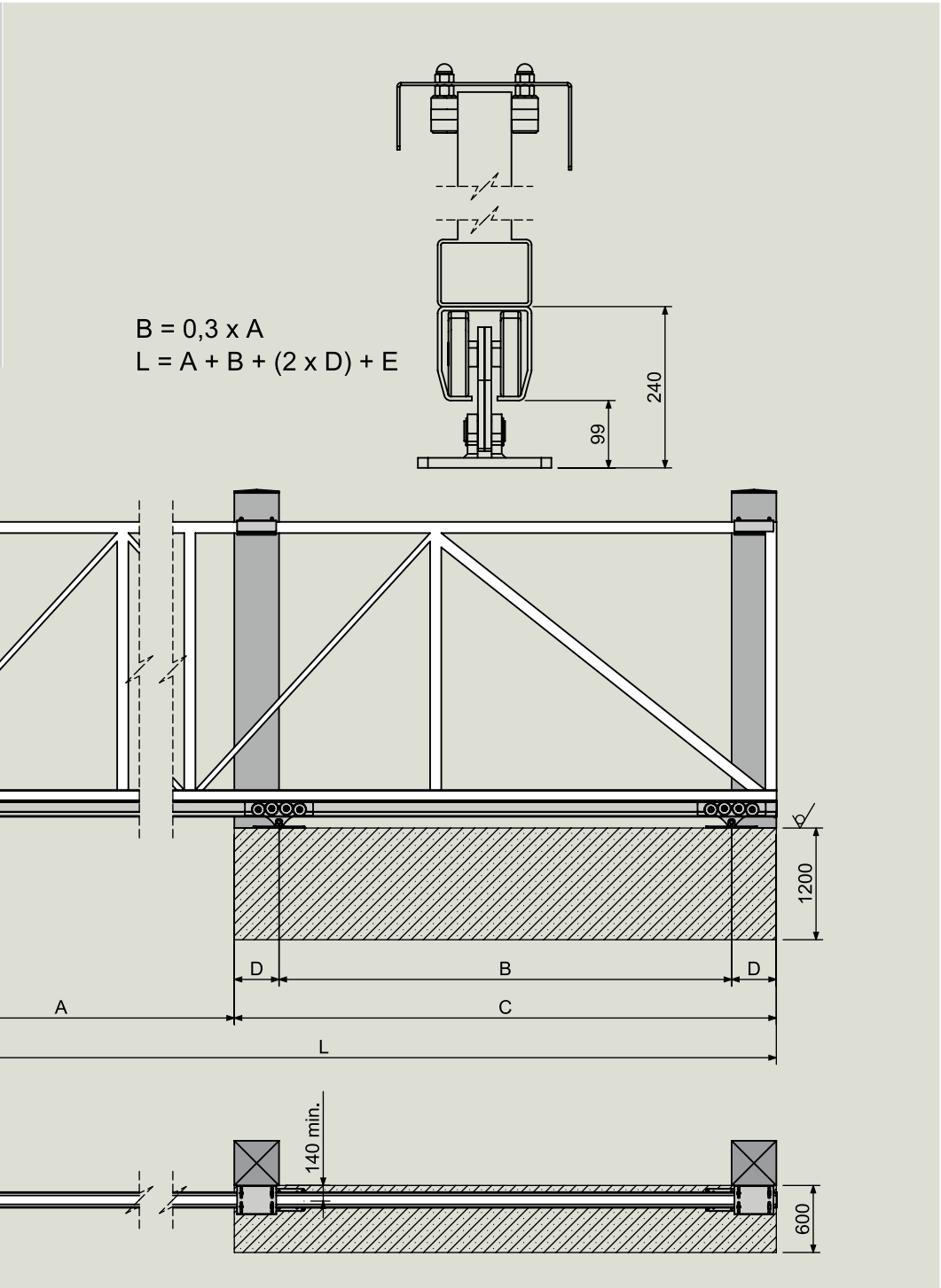



CANTILEVER L 13.5

CANTILEVER HARDWARE

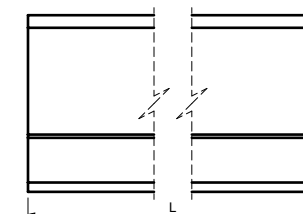
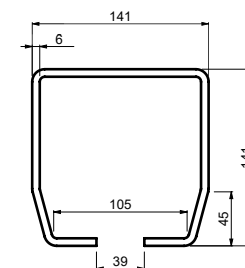
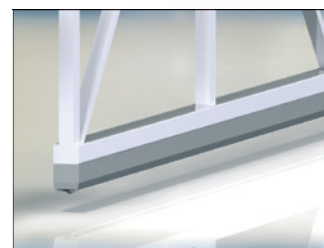
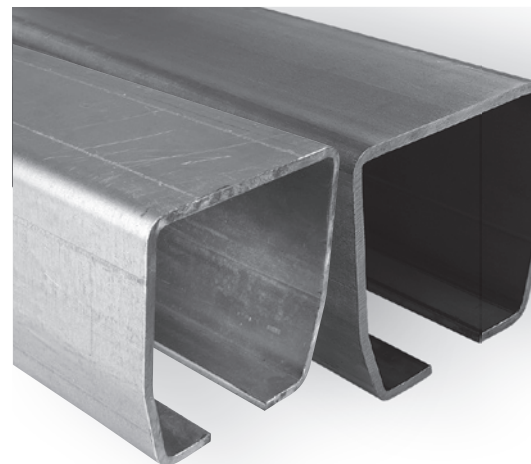
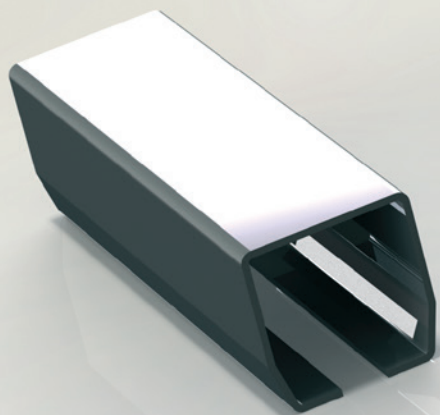
CANTILEVER L												
	mm; kg	mm; kg	mm; kg	mm; kg	mm; kg	mm; kg	mm; kg	mm; kg	mm; kg	mm; kg	mm; kg	mm; kg
A	8000	8500	9000	9500	10000	10500	11000	11500	12000	12500	13000	13500
max. weight gate	925 kg	950 kg	975 kg	1000 kg	1025 kg	1050 kg	1075 kg	1100 kg	1125 kg	1150 kg	1175 kg	1200 kg
B	2400	2550	2700	2850	3000	3150	3300	3450	3600	3750	3900	4050
C	3300	3450	3600	3750	3900	4050	4200	4350	4500	4650	4800	4950
D	450	450	450	450	450	450	450	450	450	450	450	450

-  ARROW STRAIGHT «C» TRACK
-  C 2 HIGH QUALITY BEARINGS
-  CARRIAGES CENTER HOLES MILLED NOT LASER CUT
-  MULTI RIVETED SECTIONS
-  JAPANESE ROBOTICS FANUC
-  UNIVERSITY OF TECHNOLOGY – BRNO
-  - 37°C TESTED & PROVEN
-  + 50°C TESTED & PROVEN
-  MADE IN CZECH REPUBLIC




6,00
mm

SPECIAL
THICKNESS



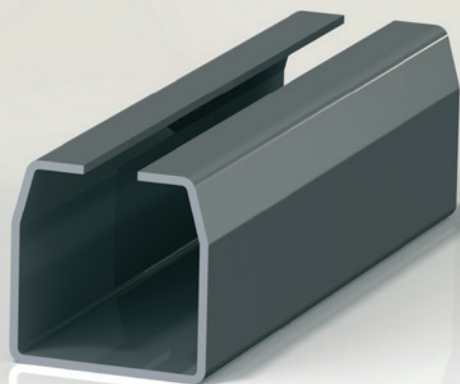
- (GB) „C“ PROFILE GUIDE FOR CANTILEVER GATE
- (D) „C“ PROFIL FÜR FREITRAGENDE SCHIEBETÖRE
- (F) GUIDE À PROFIL EN « C » POUR PORTAIL AUTOPORTANT
- (E) GUÍA CON PERFIL "C" PARA PUERTA VOLADIZA
- (P) GUIA DE PERFIL "C" PARA PORTÃO CANTILEVER
- (I) GUIDA CON PROFILO A "C" PER CANCELLO AUTOPORTANTE
- (DK) "C" PROFILVANGE TIL FRITTBÆRENDE PORT
- (NL) "C" PROFIEL GELEIDER VOOR VRIJDRAGENDE SCHUIFPOORT
- (N) "C"-PROFILSKINNE FOR FRITTBÆRENDE PORTX
- (S) "C" GEJDPROFIL FÖR FRIBÄRANDE GRIND
- (FIN) "C" -PROFILLIÖHJAIN ULOKEKANNETTEISEEN PORTTIIN
- (PL) SZYNA DO BRAM SAMONOŚNYCH
- (SK) NOSNÝ „C“ PROFIL PRE POSUVNÚ SAMONOSNÚ BRÁNU
- (EE) "C"-PROFILI JUHIK KONSOLVÄRAVA JAOKS
- (LT) „C“ FORMOS PROFILIUOTAS KREIPTUVAS GEMBINIAMS VARTAMS
- (LV) "C" VEIDA PROFILS KONSOLVEIDA VÄRTIEM

- (CZ) ŠÍNA „C“ PROFIL PRO POSUVNOU SAMONOSNOU BRÁNU
- (RO) GHIDAJ CU PROFIL „C“ PENTRU POARTA AUTOPORTANTĂ ÎN CONSOLĂ
- (HR) VODILICA „C“ PROFILA ZA KLIZNA DVORIŠNA VRATA
- (RUS) НАПРАВЛЯЮЩИЙ РЕЛЬС / ПРОФИЛЬ «С» ДЛЯ ОТКАТНЫХ САМОНЕСУЩИХ ВОРОТ
- (SLO) "C" VODILO ZA SAMONOSNA DRSNNA VRATA
- (TR) KONSOL BAHÇE KAPISI İÇİN "C" PROFIL KIZAĞI
- (AR) للقيادة المدعمة "C" دعامة خفيفة جاذبية
- (CHN) 悬臂门"C"型导轨
- (MAL) PANDU PROFIL "C" UNTUK PINTU PAGAR JULUR
- (H) C-VEZETŐSÍN TOLÓKAPUHOZ
- (IL) קורה בפרופיל "C" לשער קונסולי
- (BG) "C"-ОБРАЗНА РЕЛСА ЗА КОНЗОЛНА ВРATA
- (KO) 캔틸레버 게이트용 "C"자형 프로파일 가이드
- (SRB) VODICA „C“ PROFILA ZA SAMONOSIVU KAPIJU

Art.	CARRIAGE	SURFACE FINISH	L/1pc	1pc			CODE
			mm	kg	pcs	kg	
STAGE LB 6	SPEED L/LK	UNGALVANIZED	6000	130,2	6	781,2	1700179
STAGE LB 3	SPEED L/LK	UNGALVANIZED	3000	65,1	6	390,6	1700178
STAGE LB 2	SPEED L/LK	UNGALVANIZED	2000	43,4	6	260,4	1700218
STAGE LB 1	SPEED L/LK	UNGALVANIZED	1000	21,7	6	130,2	1720046
STAGE LZ 6	SPEED L/LK	GALVANIZED	6000	130,2	6	781,2	1700180
STAGE LZ 3	SPEED L/LK	GALVANIZED	3000	65,1	6	390,6	1700019
STAGE LZ 2	SPEED L/LK	GALVANIZED	2000	43,4	6	260,4	1700220
STAGE LZ 1	SPEED L/LK	GALVANIZED	1000	21,7	6	130,2	1720052

24
months

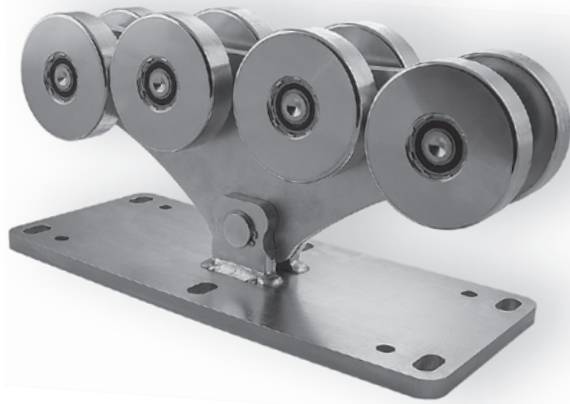
24 MONTHS
TESTED
& PROVEN



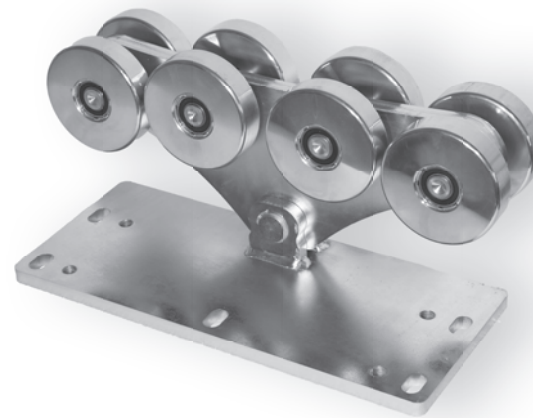
- 37°C
TESTED
& PROVEN

+ 50°C
TESTED
& PROVEN

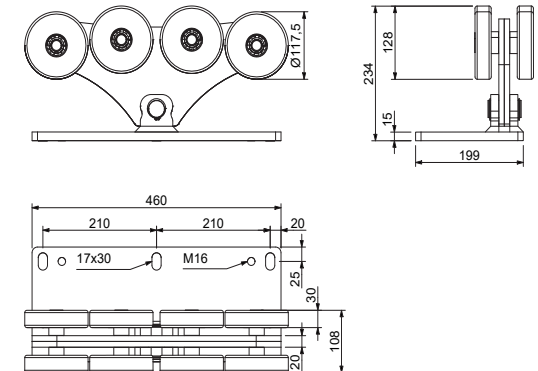
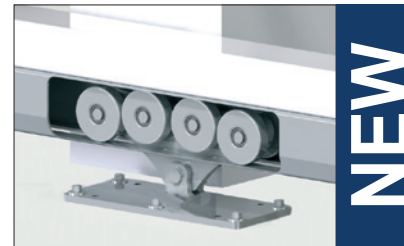
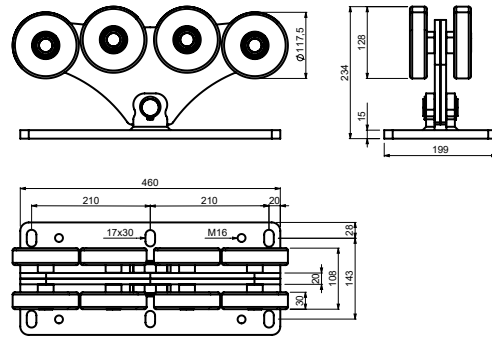




- C 2 HIGH QUALITY BEARINGS
- CARRIAGES CENTER HOLES MILLED NOT LASER CUT
- MULTI RIVETED SECTIONS
- DOUBLE MONO BLOCK EIGHT WHEELED CARRIAGE



- CAIS INNOVATION
- SUITABLE FOR INCLINED DRIVEWAY INSTALLATION
- ASYMMETRIC EIGHT WHEELED CARRIAGE
- C 2 HIGH QUALITY BEARINGS
- MONO BLOCK EIGHT WHEELED CARRIAGE
- CARRIAGES CENTER HOLES MILLED NOT LASER CUT
- MULTI RIVETED SECTIONS



- (GB) EIGHT WHEELED CARRIAGE FOR CANTILEVER GATE
- (D) ROLLAPPARAT MIT ACHT ROLLEN FÜR FREITRAGENDE SCHIEBETORE
- (F) CHARIOT À HUIT ROUES POUR PORTAIL AUTOPORTANT
- (E) CARRIL DE OCHO RUEDAS PARA PUERTA VOLADIZA
- (P) CORREDIÇA DE OITO ROLDANAS PARA PORTÃO CANTILEVER
- (I) CARRELLO A OTTO RUOTE PER CANCELLO AUTOPORTANTE
- (DK) OTTE TRANSPORTHJUL TIL FRITBÆRENDE PORT ACHTVOUDIG
- (NL) WIELENBLOK VOOR VRIJDRAGENDE SCHUIFPOORT
- (N) ATTEHJULS DRIVSKINNE TIL FRITTBÆRENDE PORT
- (S) ÅTTAHJULIG VAGN FÖR FRIBÄRANDE GRIND
- (FIN) KAHDEKSAN PYÖRÄN ALUSTA ULOKEKANNETTEISEEN PORTTIIN
- (PL) WÓZEK 8-ROLKOWY DO BRAM SAMONOSNYCH
- (SK) VOZÍK OSEMKOĽIEČKOVÝ PRE POSUVNÚ SAMONOSNÚ BRÁNU
- (EE) KAHEKSARATTALINE SUPOORT KONSOLVÄRAVA JAOKS
- (LT) VEŽIMĖLIS GEMBINIAMS VARTAMS SU AŠTUONIAIS RATUKAIS
- (LV) ASTOŅU RUĻĻU BLOKS KONSOLVEIDA VĀRTIEM

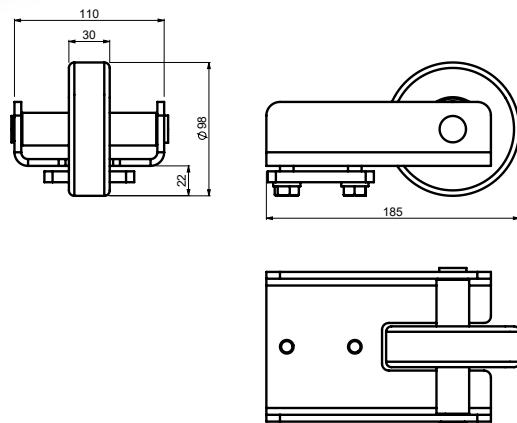
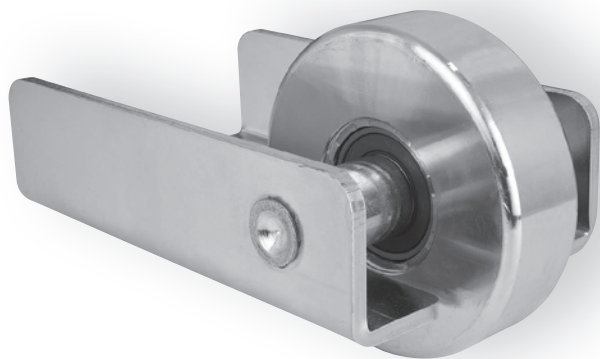
- (CZ) VOZÍK OSMIKOĽOVÝ PRO POSUVNOU SAMONOSNOU BRÁNU
- (RO) CĂRUCIOR PE OPT ROTI PENTRU POARTA AUTOPORTANTĂ ÎN CONSOLĂ
- (HR) NOSAČ S OSAM KOTAČA ZA KLIZNA DVORIŠNA VRATA
- (RUS) ВОСЬМИКОЛЕСНАЯ РОЛИКОВАЯ ТЕЛЕЖКА ДЛЯ ОТКАТНЫХ САМОНЕСУЩИХ ВОРОТ
- (SLO) VOZIČEK Z OSMIMI KOLESI ZA SAMONOSNA DRNSNA VRATA
- (TR) KONSOL BAHÇE KAPISI İÇİN SEKİZ TEKERLEKLİ TAŞIYICI
- (AR) عربة مزودة بتسلي عجلات للوابت المدعمة
- (CHN) 悬臂门八轮滑架
- (MAL) PENYORONG LAPAN RODA UNTUK PINTU PAGAR JULUR
- (H) NYOLCGÖRGÖS FUTÓKOCSI TOLÓKAPUHOZ
- (IL) קרונית שמנונה גלגלים לשער קונסולי
- (BG) КОЛИЧКА С ОСЕМ РОЛКИ ЗА КОНЗОЛНА ВРАТА
- (KO) 8개 휠이 있는 캔틸레버 게이트용 이송대
- (SRB) NOSAČ SA OSAM TOČKIČA ZA SAMONOSIVU KAPIJU

- (GB) ASYMMETRIC EIGHT WHEELED CARRIAGE FOR CANTILEVER GATE
- (D) ROLLAPPARAT MIT ACHT ROLLEN FÜR FREITRAGENDE SCHIEBETORE
- (F) CHARIOT À HUIT ROUES POUR PORTAIL AUTOPORTANT
- (E) CARRIL DE OCHO RUEDAS PARA PUERTA VOLADIZA
- (P) CORREDIÇA DE OITO ROLDANAS PARA PORTÃO CANTILEVER
- (I) CARRELLO A OTTO RUOTE PER CANCELLO AUTOPORTANTE
- (DK) OTTE TRANSPORTHJUL TIL FRITBÆRENDE PORT ACHTVOUDIG
- (NL) WIELENBLOK VOOR VRIJDRAGENDE SCHUIFPOORT
- (N) ATTEHJULS DRIVSKINNE TIL FRITTBÆRENDE PORT
- (S) ÅTTAHJULIG VAGN FÖR FRIBÄRANDE GRIND
- (FIN) KAHDEKSAN PYÖRÄN ALUSTA ULOKEKANNETTEISEEN PORTTIIN
- (PL) WÓZEK 8-ROLKOWY DO BRAM SAMONOSNYCH
- (SK) VOZÍK OSEMKOĽIEČKOVÝ PRE POSUVNÚ SAMONOSNÚ BRÁNU
- (EE) KAHEKSARATTALINE SUPOORT KONSOLVÄRAVA JAOKS
- (LT) VEŽIMĖLIS GEMBINIAMS VARTAMS SU AŠTUONIAIS RATUKAIS
- (LV) ASTOŅU RUĻĻU BLOKS KONSOLVEIDA VĀRTIEM

- (CZ) VOZÍK OSMIKOĽOVÝ PRO POSUVNOU SAMONOSNOU BRÁNU
- (RO) CĂRUCIOR PE OPT ROTI PENTRU POARTA AUTOPORTANTĂ ÎN CONSOLĂ
- (HR) NOSAČ S OSAM KOTAČA ZA KLIZNA DVORIŠNA VRATA
- (RUS) ВОСЬМИКОЛЕСНАЯ РОЛИКОВАЯ ТЕЛЕЖКА ДЛЯ ОТКАТНЫХ САМОНЕСУЩИХ ВОРОТ
- (SLO) VOZIČEK Z OSMIMI KOLESI ZA SAMONOSNA DRNSNA VRATA
- (TR) KONSOL BAHÇE KAPISI İÇİN SEKİZ TEKERLEKLİ TAŞIYICI
- (AR) عربة مزودة بتسلي عجلات للوابت المدعمة
- (CHN) 悬臂门八轮滑架
- (MAL) PENYORONG LAPAN RODA UNTUK PINTU PAGAR JULUR
- (H) NYOLCGÖRGÖS FUTÓKOCSI TOLÓKAPUHOZ
- (IL) קרונית שמנונה גלגלים לשער קונסולי
- (BG) КОЛИЧКА С ОСЕМ РОЛКИ ЗА КОНЗОЛНА ВРАТА
- (KO) 8개 휠이 있는 캔틸레버 게이트용 이송대
- (SRB) NOSAČ SA OSAM TOČKIČA ZA SAMONOSIVU KAPIJU


Art.	A	GUIDE	1pc			CODE
	max. mm			kg	pc	
SPEED L	13500	STAGE LB/LZ	39,5	1	39,5	1700018

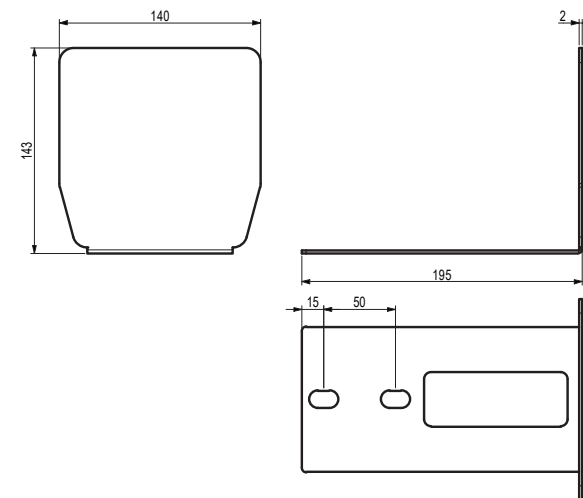
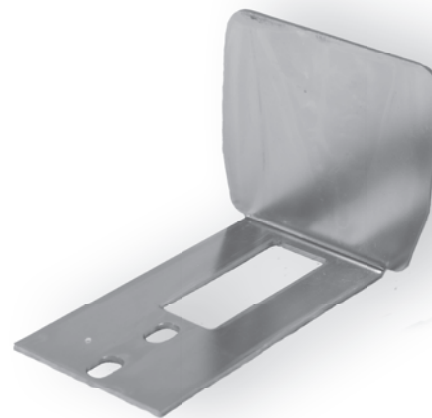
Art.	A	GUIDE	1pc			CODE
	max. mm			kg	pc	
SPEED LK	13500	STAGE LB/LZ	39,5	1	39,5	1700366



- (GB) GUIDE SUPPORT WHEEL FOR CANTILEVER GATE
- (D) STÜTZRAD FÜR FREITRAGENDE SCHIEBETÖRE
- (F) ROUE DE SUPPORT DE GUIDE POUR PORTAIL AUTOPORTANT
- (E) RUEDA CON SOPORTE DE GUÍA PARA PUERTA VOLADIZA
- (P) ROLDANA DE SUPORTE GUIA PARA PORTÃO CANTILEVER
- (I) RUOTA DI SOSTEGNO DELLA GUIDA PER CANCELLO AUTOPORTANTE
- (DK) VANGESTØTTEHJUL TIL FRITBÆRENDE PORT
- (NL) DRAAGWIEL VOOR GELEIDING VRIJDRAGENDE SCHUIFPOORT
- (N) STYRESKINNE FOR STØTTEHJUL TIL FRITTBÆRENDE PORT
- (S) STÖDHJUL FÖR FRIBÄRANDE GRIND
- (FIN) OHJAIMEN TUKIPYÖRÄ ULOKEKANNETTEISEEN PORTTIIN
- (PL) ROLKA NAJAZDOWA DO BRAM SAMONOŚNYCH
- (SK) NÁBEH S KLADKOU PRE POSUVNÚ SAMONOSNÚ BRÁNU
- (EE) JUHI TUGIRATAS KONSOOLVÁRAVA JAOKS
- (LT) KREIPTUVO ATRAMOS RATUKAS GEMBINIAMS VARTAMS
- (LV) VADOTNES BALSTA RULLĪTIS KONSOLVEIDA VĀRTIEM


- (CZ) NÁBEH S KLADKOU PRO POSUVNOU SAMONOSNOU BRÁNU
- (RO) ROATĂ DE SUSȚINERE GHIDAJ PENTRU POARTA AUTOPORTANTĂ ÎN CONSOLĂ
- (HR) NOSIVI KOTAČ VODILICE ZA KLIZNA DVORIŠNA VRATA
- (RUS) КОНЦЕВОЙ РОЛИК ДЛЯ ОТКАТНЫХ САМОНЕСУЩИХ ВОРОТ
- (SLO) PODPORNO KOLO VODILA ZA SAMONOSNA DRŠNA VRATA
- (TR) KONSOL BAŃÇE KAPISI İÇİN KIZAK DESTEK TEKERLEĞİ
- (AR) عجلة دعامة نذيلية للبوابة المدعومة
- (CHN) 悬臂门导轨支轮
- (MAL) RODA SOKONGAN PANDU UNTUK PINTU PAGAR JULUR
- (H) VEZETŐ, MEGTÁMASZTÓ GÖRGŐ TOLÓKAPUHOZ
- (IL) גלגל תומך לשיער קורדוולי
- (BG) РОЛКА ЗА РЕЛСА ЗА КОНЗОЛНА ВРАТА
- (KO) 캔틸레버 게이트용 가이드 지지 휠
- (SRB) NOSEĆI TOČIČKI VOĐICE ZA SAMONOSIVU KAPIJU

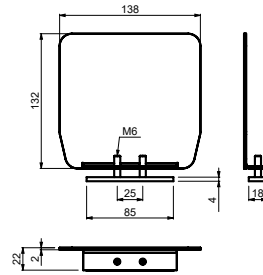
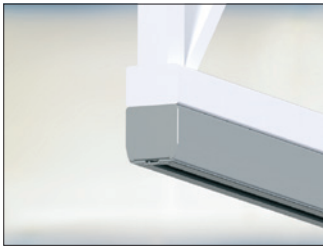
Art.	GUIDE	1pc			CODE
			kg	pcs	
RUN L	STAGE LB/LZ	3,23	2	6,46	1700020



- (GB) END CAP WITH BOTTOM PLATE FOR CANTILEVER L GUIDE WHEEL
- (D) ENDKAPPE MIT BODENPLATTE FÜR CANTILEVER L-FÜHRUNGSRAD
- (F) CACHE D'EXTRÉMITÉ AVEC PLATINE BASSE POUR ROULETTE DE GUIDAGE PORTE-À-FAUX L
- (E) TAPA FINAL CON PLACA INFERIOR PARA RUEDA GUÍA EN VOLADIZO L
- (P) TAMPADA DE EXTREMIDADE COM PLACA INFERIOR PARA RODA GUIA CANTILEVER L
- (I) CAPPUCCIOTERMINALE CON PIASTRA INFERIORE PER RUOTADI GUIDA CANTILEVER L
- (DK) ENDEKAPPE MED BUNDPLADE TIL L-STYREHJUL TIL UDKRAGNING
- (NL) AFDEKKAP MET BODEMPLAAT VOOR LEIWIJEL VAN CANTILEVER L
- (N) ENDEKAPPE MED BUNNPLATE FOR L-FORMET STYREHJUL TIL UTLIGGER
- (S) ÄNDKÅPA MED BOTTENPLATTA FÖR KONSOL L-STYRHJUL
- (FIN) PÄÄTYKAPPALE JA POHJALEVY ULOKEPALKIN L-OHJAUSSPYÖRÄÄ VARTEN
- (PL) ZAŚLEPKA Z DOLNĄ PŁYTKĄ DO KOŁA PROWADZĄCEGO SYSTEMÓW WSPORNIKOWYCH TYPU L
- (SK) SPODNÁ KONCOVÁ PÁČICA VODIACEHO KOLIESKA SAMONOSNEJ POSUVNEJ BRÁNY L
- (EE) ALUSPLAADIGA OTSAKORK TIBVÄRAVA L JUHTRATTALE
- (LT) GALINIS DANGTELIS SU APATINE PLOKŠTELE, SKIRTAS KONSOLINIŲ VARTŲ L KREIPIAMAJAM RATUKUI
- (LV) GALA UZGALIS AR APAKŠĒJO PLĀKŠNI ZOBSTIEŅĀ L VIRZOŠAJAM RITENIM

- (CZ) ZÁSLEPKA PRO ŠÍNU „C“ PROFIL , PRO RUN L
- (RO) CAPAC DE ÎNCHIDERE CU PLACĂ INFERIOARĂ PENTRU ROATĂ DE GHIDARE CANTILEVER L
- (HR) ZAVRŠNI ČEP S DONJOM PLOČOM ZA KOTAČ VODILICE CANTILEVER L
- (RUS) ТОРЦЕВАЯ ПЛАНКА С НИЖНЕЙ ПЛАСТИНОЙ ДЛЯ НАПРАВЛЯЮЩЕГО КОЛЕСА САМОНЕСУЩИХ ОТКАТНЫХ ВОРОТ L
- (SLO) POKROV S SPODNJO PLOŠČO ZA VODILNO KOLESECE ZA SISTEM CANTILEVER L
- (TR) KONSOL KIRIŞ L KILAVUZ TEKERLEĞİ İÇİN ALT PLAKALI UÇ KAPAĞI
- (AR) غطاء طرفي مع لوحة مع لوحة
- (CHN) 用于悬臂梁S型导轨的底座板盖
- (MAL) TUKUP HU JUNG DENGAN PLAT BAWAH UNTUK RODA PANDU JULUR L
- (H) VÉGZÁRÓ TALPLEMEZZEL L ÚSZÓKAPU VEZETŐKERÉKHEZ
- (IL) עבר שער קורדוולי ל כוסי קצה עם פלטה תחתונה לגלגל מוביל מסוג
- (BG) НАКРАЙНИК С ДОЛНА ПЛОЧКА ЗА ВОДЕЩО КОЛЕЛО ЗА КОНЗОЛНИ ВРАТИ
- (KO) 캔틸레버 M 가이드 윗쪽 하부 플레이트 일체형 언드캡
- (SRB) ZAVRŠNI ČEP M DONJOM PLOČOM ZA KOTAČ VODILICE CANTILEVER L

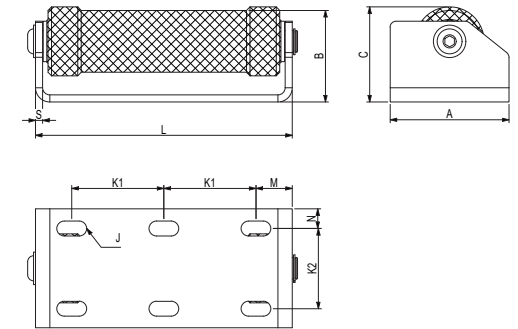
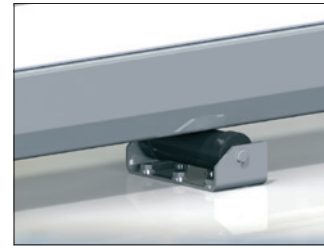
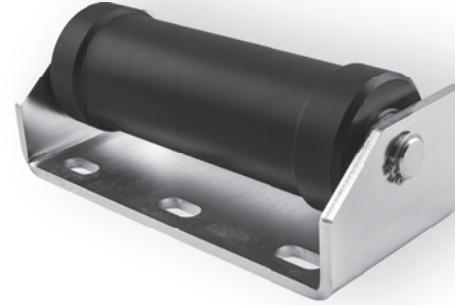
Art.	GUIDE	1pc			CODE
			kg	pcs	
PILOT LR	STAGE LB/LZ	0,55	10	5,5	1700406



- (GB) GUIDE END CAP WITH SCREW, INDEPENDENT
 (D) ABSCHLUSSKAPPE FÜR „C“ PROFIL AUS STAHL MIT SCHRAUBE
 (F) CACHE D'EMBOÛT DE GUIDE AVEC VIS, INDÉPENDANT
 (E) TOPE FINAL DE GUÍA CON TUERCA, INDEPENDIENTE
 (P) TAMPA FINAL GUIA COM PARAFUSO, INDEPENDENTE
 (I) COPERTURA TERMINALE DELLA GUIDA CON VITE, INDIPENDENTE
 (DK) VANGEENDEHÆTTE MED SKRUE, UAFHÆNGIG
 (NL) GELEIDER EINDKAP MET SCHROEF, ONAFHANKELIJK
 (N) ENDEBESLAG FOR SKINNE MED SKRUE, UAVHENGIG
 (S) GEJD SKYDDSKÅPA MED SKRUV, OBEROENDE
 (FIN) OHJAIMEN PÄÄN RUUVILLINEN KANSI, ERILLINEN
 (PL) ZASLEPKA KOŃCOWA SZYNY ZE ŚRUBĄ, NIEZALEŻNA
 (SK) ZÁSLEPKA PRE NOSNÝ „C“ PROFIL, NEZÁVISLÁ SO SKRUTKOU
 (EE) JUHIKU OTSAKORK KRUVIGA, ERALDI
 (LT) GALINIS KREIPTUVO DANGTELIS SU SRIEIGIU, ATSKIRAS
 (LV) VADOTNES GALA VĀKS AR SKRŪVI, NEATKARĪGS

- (CZ) ZÁSLEPKA PRO ŠÍNU „C“ PROFIL, NEZÁVISLÁ SE ŠROUBEM
 (RO) OPRITOR CURSĂ ACOPERIRE GHIDAJ CU FILET, INDEPENDENT
 (HR) ČEP VODILICE S VIJKOM, NEOVISAN
 (RUS) ЗАГЛУШКА НАПРАВЛЯЮЩЕГО РЕЛЬСА «С», НЕЗАВИСИМАЯ, С ВИНТОМ
 (SLO) ZAKLJUČNI POKROV VODILA Z VIJAKOM, NEODVISEN
 (TR) VİDALI KIZAK UÇ LASTIĞI, BAĞIMSIZ
 (AR) غطاء طرفي دليلي مع برغي، مستقل
 (CHN) 导轨独立式螺钉紧固端盖
 (MAL) PENUTUP Hujung Pandu Dengan Skru, Bebas
 (H) VEZETŐSÍN LEZÁRÓ-ELEM CSAVARRAL, FÜGGETLEN
 (IL) מכסה קצה קורה קונדוליית עם בורג, עצמאי
 (BG) КРАЙНА КАПАЧКА ЗА РЕЛСА С ВИНТ, САМОСТОЯТЕЛНА
 (KO) 나사가 있는 가이드 종단 캡, 독립식
 (SRB) ČEP VODICE SA ZAVRTNJEM, NEZAVISAN

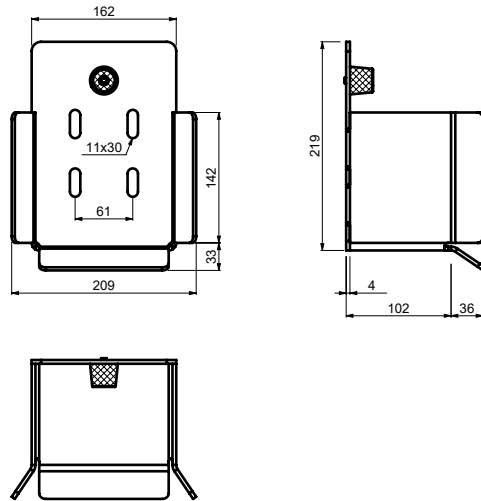
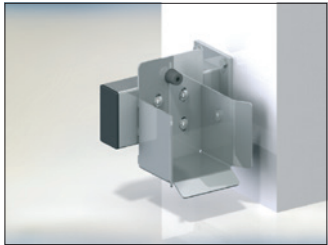
Art.	GUIDE	1pc			CODE
		kg	pcs	kg	
PILOT LN	STAGE LB/LZ	0,35	10	3,5	1700024



- (GB) SUPPORT ROLLER FOR CANTILEVER GATE
 (D) STÜTZROLLE FÜR AUSLEGERTOR
 (F) ROULEAU DE SUPPORT POUR PORTAIL COULISSANT AUTOPORTANT
 (E) RODILLO DE SOPORTE PARA PORTÓN EN VOLADIZO
 (P) ROLO DE SUPORTE PARA PORTÃO DE CANTILEVER
 (I) RULLO DI SOSTEGNO PER CANCELLO AUTOPORTANTE
 (DK) STØTTERULLE TIL FRITBÆRENDE PORT
 (NL) STEUNROL VOOR SCHUIFPOORT
 (N) STØTTERULLE FOR RULLEPORT
 (S) STÖDRULLE FÖR FRIBÄRANDE GRIND
 (FIN) TUKIRULLA ULOKEPORTTIIN
 (PL) ROLKA DOLNA DO BRAMY SAMONOŠNEJ
 (SK) PODPORNÝ VALEC PRE SAMONOSNÉ BRÁNY
 (EE) TUGIRULLIK KONSOLVÄRAVA JAKS
 (LT) ATRAMINIS RITINĖLIS GEMBINIAMS VARTAMS
 (LV) BALSTA RULLĪTIS KONSOLVEIDA VĀRTIEM


- (CZ) KONZOLA S KLDKOU PRO PODPĚRU POSUVNÉ SAMONOSNÉ BRÁNY
 (RO) ROLĂ DE SUSȚINERE PENTRU POARTA ÎN CONSOLĂ
 (HR) POTPORNİ VALJAK ZA NOSIVA VRATA
 (RUS) ОПОРНЫЙ РОЛИК ДЛЯ САМОНЕСУЩИХ ВОРОТ
 (SLO) PODPORNİ VALJ ZA SAMONOSNA DRSNA VRATA
 (TR) MANİVELA KAPİ İÇİN DESTEK MAKARASI
 (AR) أسطوانة الدعم لوابية الكابول
 (CHN) 悬臂门支撑滚
 (MAL) PENGGELEK SOKONGAN UNTUK GET JULUR
 (H) TARTÓGÖRGŐ TOLÓKAPUHOZ
 (IL) גלגל תומך לשער קונדולי
 (BG) ПОДДЪРЖАЩА РОЛКА ЗА КОНЗОЛНА ВРАТА
 (KO) 캔틸레버 게이트용 지지 롤러
 (SRB) NOSEĆI VALJAK ZA SAMONOSIVU KAPIJU

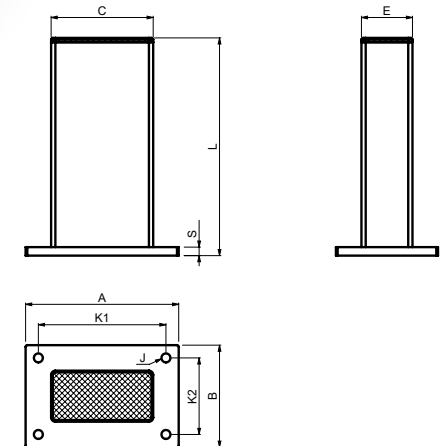
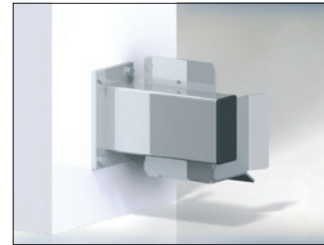
Art.	L	A	B	C	J	K1	K2	M	N	S	1pc			CODE
											kg	pcs	kg	
DRIVESHAFT 150	216	100	82	85	13x25	77	66	31	17	6	2,52	2	5,04	1700334



- (GB) END STOP FOR CANTILEVER GATE
- (D) EINLAUFSCHUH FÜR FREITRAGENDE SCHIEBETORE
- (F) BUTÉE POUR PORTAIL AUTOPORTANT
- (E) TOPE FINAL PARA PUERTA VOLADIZA
- (P) BATEANTE PARA PORTÃO CANTILEVER
- (I) FERMO DI FINE CORSA PER CANCELLO AUTOPORTANTE
- (DK) ENDESTOP TIL FRITTBÆRENDE PORT
- (NL) EINDSTOP VOOR VRIJDRAGENDE SCHUIFPOO
- (N) ENDESTOPPER FOR FRITTBÆRENDE PORT
- (S) ÄNDSTOPP FÖR FRIBÄRENDE GRIND
- (FIN) PÄÄTYPYSÄYTIN ULOKEKANNETTEISEEN PORTTIIN
- (PL) ODBOJNIK DO BRAM SAMONOŚNYCH
- (SK) DOJAZDOVÁ KAPSA SPODNÁ PRE POSUVNÚ SAMONOSNÚ BRÁNU
- (EE) OTSALÕPP KONSOLVÄRAVA JAOKS
- (LT) GALINIS RIBOKLIS GEMBINIAMS VARTAMS
- (LV) GALA AIZTURIS KONSOLVEIDA VÄRTIEMS


- (CZ) DOJEZDOVÁ KAPSA SPODNÍ PRO POSUVNOU SAMONOSNOU BRÁNU
- (RO) OPRITOR CURSĂ PENTRU POARTA AUTOPORTANTĂ ÎN CONSOLĂ
- (HR) GRANIČNIK ZA KLIZNA DVORIŠNA VRATA
- (RUS) УЛАВЛИВАТЕЛЬ НИЖНИЙ ДЛЯ ОТКАТНЫХ САМОНЕСУЩИХ ВОРОТ
- (SLO) ZAUSTAVLJALNIK ZA SAMONOSNA DRŠNA VRATA
- (TR) KONSOL BAHÇE KAPISI İÇİN UÇ TESPİT PARÇASI
- (AR) المنع الطرفي للبوابة المدعجة
- (CHN) 悬臂门终点挡块
- (MAL) PENYENDAL Hujung untuk Pintu Pagar Julur
- (H) ÜTKÖZŐ TOLÓKAPUHOZ
- (IL) מקבל קצה לשער קונדולי
- (BG) СТОПЕР ЗА КОНЗОЛНА ВРАТА
- (KO) 캔틸레버 게이트용 종단 장치대
- (SRB) GRANIČNIK ZA SAMONOSIVU KAPIJU

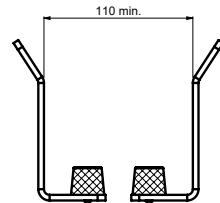
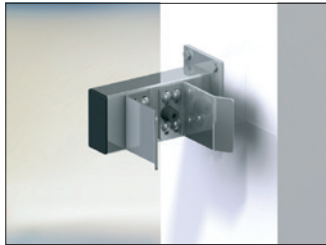
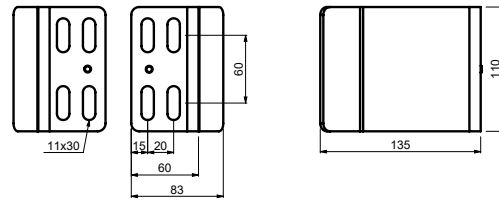
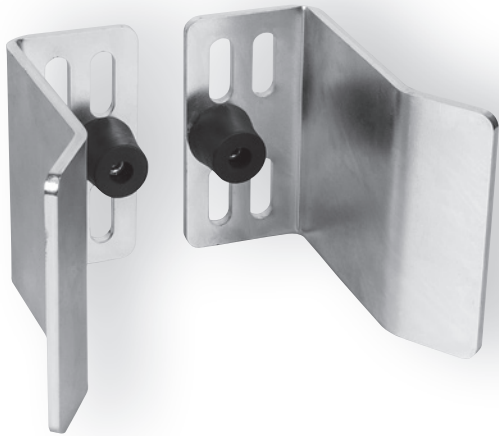
Art.	GUIDE	1pc			CODE
		kg	pcs	kg	
LAST L	STAGE LB/LZ	2,7	2	5,4	1700021



- (GB) END STOP BRACKET
- (D) KONSOLE FÜR EINLAUFSCHUH
- (F) ÉTRIER POUR BUTÉE
- (E) SOPORTE DE TOPE FINAL
- (P) SUPORTE DE BATEANTE
- (I) STAFFA PER FERMO DI FINE CORSA
- (DK) ENDESTOP BESLAG
- (NL) EINDSTOP BEVESTIGINGSBEUGEL
- (N) STOPPEBRACKET
- (S) ÄNDSTOPP KONSOL
- (FIN) PÄÄTYPYSÄYTTIMEN KANNATIN
- (PL) WSPORNIK ODBOJNIKA
- (SK) KONZOLA PRE DOJAZDOVÚ KAPSU
- (EE) OTSALÕPU KLAMBER
- (LT) GALINIO RIBOKLIO GEMBĖ
- (LV) GALA AIZTURA KRONSĒIENS


- (CZ) KONZOLA PRO DOJEZDOVOU KAPSU
- (RO) OPRITOR CURSĂ CONSOLĂ
- (HR) KONZOLA GRANIČNIKA
- (RUS) КРОНШТЕЙН УЛАВЛИВАТЕЛЯ
- (SLO) OPORNIK ZAUSTAVLJALNIKA
- (TR) UÇ TESPİT PARÇASI DİRSEĞİ
- (AR) سنادة المنع الطرفي
- (CHN) 终点挡块支座
- (MAL) PENDAKAP PENYENDAL Hujung
- (H) ÜTKÖZŐ-KERET
- (IL) עמודון למעצור קצה
- (BG) СКОБА ЗА СТОПЕР
- (KO) 종단 장치대 브라켓
- (SRB) KONZOLA GRANIČNIKA

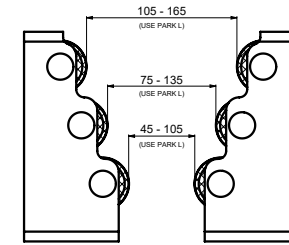
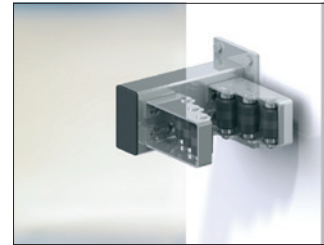
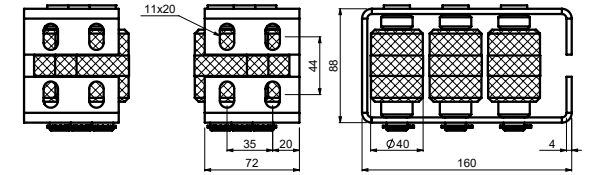
Art.	L	A	B	C	E	J	K1	K2	S	END STOP	1pc			CODE
											kg	pcs	kg	
						Ø								
PARK L	260	180	120	120	60	10,5	150	90	10	LAST/PADDOCK	4,31	2	8,62	1700022
PARK L 350	355	180	120	120	60	10,5	150	90	10	LAST/PADDOCK	5,25	2	10,5	1700197



- (GB) END STOP
- (D) ENDANSCHLAG
- (F) BUTÉE
- (E) TOPE FINAL
- (P) FIM DE CURSO
- (I) ARRESTO TERMINALE
- (DK) ENDESTOP
- (NL) EINDSTOP
- (N) ENDESTOPP
- (S) ÄNDSTOPP
- (FIN) RAJOITIN
- (PL) ZDERZAK KRAŃCOWY
- (SK) DORAZ
- (EE) OTSA LÕPP
- (LT) GALINIS RIBOKLIS
- (LV) GALA AIZTURIS


- (CZ) KONCOVÝ DORAZ
- (RO) OPRITOR FINAL
- (HR) GRANIČNIK
- (RUS) КОНЦЕВОЙ УПОР
- (SLO) KONČNI ELEMENT
- (TR) UÇ TIPASI
- (AR) نقطة التوقف
- (CHN) 限位挡块
- (MAL) ADANG Hujung
- (H) VÉGÜTKÖZŐ
- (IL) מקבל מתכוון עם מעצור גומי
- (BG) СТОПЕР
- (KO) 종단 정지대
- (SRB) GRANIČNIK

Art.	BRACKET	1pc			CODE
		kg	pcs	kg	
PADDOCK L	PARK L/PARK L 350	1,54	2	3,08	1700195



- (GB) END STOP WITH ROLLER
- (D) ENDANSCHLAG MIT ROLLE
- (F) BUTÉE AVEC ROULEAU
- (E) TOPE FINAL CON RODILLO
- (P) FIM DE CURSO COM ROLO
- (I) ARRESTO TERMINALE CON RULLO
- (DK) ENDESTOP MED VALSE
- (NL) EINDSTOP MET ROLLEN
- (N) ENDESTOPP MED RULLE
- (S) ÄNDSTOPP MED RULLE
- (FIN) RAJOITIN RULLALLA
- (PL) ZDERZAK KRAŃCOWY Z ROLKĄ
- (SK) DORAZ S VALČEKOM
- (EE) OTSA LÕPP RULLIKUGA
- (LT) GALINIS RIBOKLIS SU RITINĖLIU
- (LV) GALA AIZTURIS AR RULLĪTI

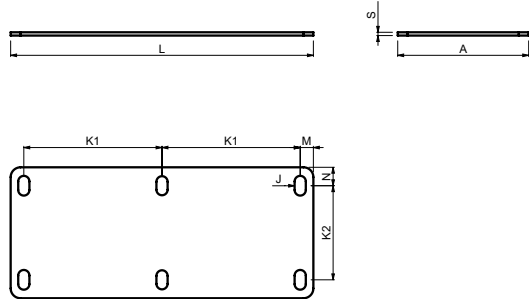
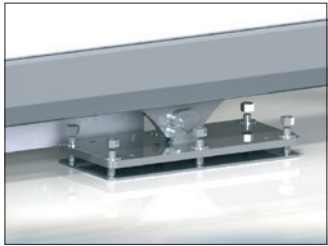
- (CZ) KONCOVÝ DORAZ S Kladkou
- (RO) OPRITOR FINAL CU ROLĂ
- (HR) GRANIČNIK S VALJKOM
- (RUS) КОНЦЕВОЙ УПОР С РОЛИКОМ
- (SLO) KONČNI ELEMENT S KOLESECM
- (TR) MAKARALI UÇ TIPASI
- (AR) نقطة التوقف المزودة بكرة
- (CHN) 帶轆子的限位挡块
- (MAL) ADANG Hujung DENGAN PENGGELEK
- (H) VÉGÜTKÖZŐ GÖRGÖVEL
- (IL) מקבל מתכוון עם גלגלי אוקליון
- (BG) СТОПЕР С РОЛКА
- (KO) 롤러가 있는 종단 정지대
- (SRB) GRANIČNIK SA VALJKOM

Art.	BRACKET	1pc			CODE
		kg	pc	kg	
PADDOCK 6	PARK L/PARK L 350	3,12	1	3,12	1700192



CAIS INNOVATION

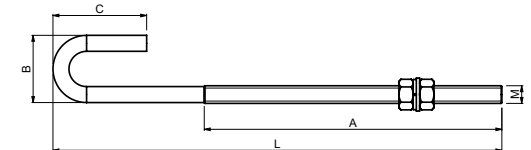
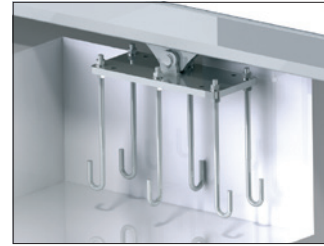
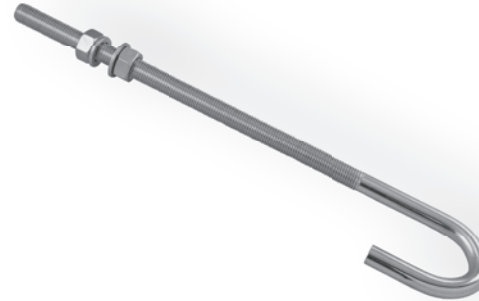
FAIL-SAFE ROLLER MECHANISM



- (GB) WASHER FOR CANTILEVER CARRIAGE
- (D) UNTERLEGSCHIBE FÜR AUSLEGERSCHLITTEN
- (F) RONDELLE POUR CHARIOT CANTILEVER
- (E) TUERCA PARA CARRO EN VOLADIZO
- (P) ARRUELA PARA TRANSPORTE DE CANTILEVER
- (I) RONDELLA PER CARRELLO CANCELLO AUTOPORTANTE
- (DK) SKIVE TIL FRITBÆRENDE PORT
- (NL) RING VOOR SCHUIFWAGEN
- (N) SKIVE FOR RULLEPORTVOGN
- (S) BRICKA FÖR FRIBÄRANDE GRINDVAGN
- (FIN) ALUSLEVY ULOKETELINEESEEN
- (PL) PODKŁADKA DO WÓZKA BRAMY SAMONOŚNEJ
- (SK) PODLOŽKA PRE SAMONOSNÝ NOSNÍK
- (EE) SEIB KONSOOLALUSE JAOKS
- (LT) POVERŽLĖ GEMBINIŲ VARTŲ VEŽIMĖLIUI
- (LV) PĀPLĀKSNE KONSOLĒS NESOŠĀJAM RUĻĻU BLOKAM

- (CZ) PODLOŽKA PRO VOZÍK
- (RO) ȘAIBĂ PENTRU SISTEMUL DE CULISARE ÎN CONSOLĂ
- (HR) PODLOŠKA ZA NOSIVO PODVOZJE
- (RUS) ШАЙБА ДЛЯ РОЛИКОВЫХ ТЕЛЕЖЕК САМОНЕСУЩИХ ВОРОТ
- (SLO) PODLOŽKA ZA VOZIČEK
- (TR) MANİVELA TAŞIYICISI İÇİN RONDELA
- (AR) حطبة لولاية الكترول
- (CHN) 悬臂架垫片
- (MAL) SESENDAL UNTUK PEMBAWA JULUR
- (H) ALÁTÉT TOLÓKAPU FUTÓKOCSIHOZ
- (IL) דסקה לשיעור קונדולי
- (BG) ВЛОЖКА ЗА КОНЗОЛНА КОЛИЧКА
- (KO) 캔틸레버 이송대용 와셔
- (SRB) PODLOŠKA ZA SAMONOSIVU KAPIJU

Art.	L	A	J	K1	K2	M	N	S	CARRIAGE	1pc				CODE
										kg	pcs	kg		
mm														
RAMP L 3	460	199	17x30	210	143	20	28	3	SPEED L	2,14	2	4,28	1700301	
RAMP L 5	460	199	17x30	210	143	20	28	5	SPEED L	3,42	2	6,84	1700302	
RAMP L 8	460	199	17x30	210	143	20	28	8	SPEED L	5,56	2	11,12	1700303	



- (GB) FIXING BAR FOR CANTILEVER CARRIAGE
- (D) BEFESTIGUNGSSTANGE FÜR AUSLEGERSCHLITTEN
- (F) BARRE DE FIXATION POUR CHARIOT CANTILEVER
- (E) BARRA DE FIJACIÓN PARA CARRO EN VOLADIZO
- (P) BARRA DE FIXAÇÃO DE TRANSPORTE DE CANTILEVER
- (I) BARRA DI FISSAGGIO PER CARRELLO CANCELLO AUTOPORTANTE
- (DK) FASTGØRELSESSTANG TIL FRITBÆRENDE PORT
- (NL) BEVESTIGINGSBALK VOOR SCHUIFWAGEN
- (N) FESTESTANG FOR RULLEPORT
- (S) FÄSTBALK FÖR FRIBÄRANDE GRINDVAGN
- (FIN) KIINNITYSPALKKI ULOKETELINEESEEN
- (PL) LISTWA MOCUJĄCA DO WÓZKA BRAMY SAMONOŚNEJ
- (SK) UPEVNŔOVACIA TYČ PRE SAMONOSNÝ NOSNÍK
- (EE) FIKSEERIMISTALA KONSOOLALUSE JAOKS
- (LT) TVIRTINIMO STRYPAS GEMBINIŲ VARTŲ VEŽIMĖLIUI
- (LV) FIKSĒJOŠAIS STIENIS KONSOLĒS NESOŠĀJAM RUĻĻU BLOKAM

- (CZ) FIXAČNÍ TYČ PRO VOZÍK
- (RO) BARĂ DE FIXARE PENTRU SISTEMUL DE CULISARE ÎN CONSOLĂ
- (HR) FIKSIRAJUĆA ŠIPKA ZA NOSIVO PODVOZJE
- (RUS) КРЕПЕЖНЫЙ СТЕРЖЕНЬ ДЛЯ РОЛИКОВЫХ ТЕЛЕЖЕК САМОНЕСУЩИХ ВОРОТ
- (SLO) PRITRDILNI DROG ZA VOZIČEK
- (TR) MANİVELA TAŞIYICISI İÇİN SABİTLEME ÇUBUĞU
- (AR) قضيب التثبيت لولاية الكترول
- (CHN) 悬臂架固定条
- (MAL) BAR IKATAN UNTUK PEMBAWA JULUR
- (H) RÖGZÍTŐRÚD TOLÓKAPU FUTÓKOCSIHOZ
- (IL) מוט קיבוע ללגלגים לקונדולי
- (BG) ФИКСАТОР ЗА КОНЗОЛНА КОЛИЧКА
- (KO) 캔틸레버 이송대용 고정대
- (SRB) FIKSIRAJUĆA ŠIPKA ZA SAMONOSIVU KAPIJU

Art.	L	A	B	C	M	WASHER	1pc				CODE
							kg	pcs	kg		
mm											
CLINCH 16	410	300	60	80	M16	RAMP	0,72	12	8,64	1700239	

“THE BEST WAY
TO PREDICT THE FUTURE
IS TO CREATE IT”

– Abraham Lincoln

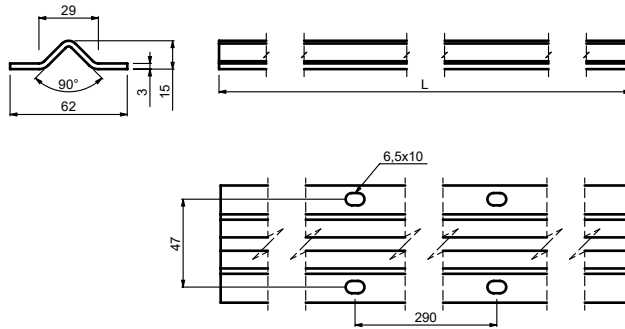
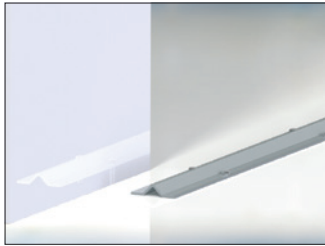
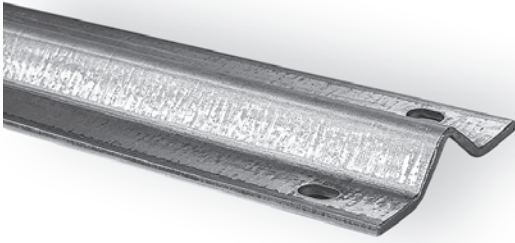


RESEARCH & DEVELOPMENT
CAIS PARTNER



SLIDING GATE

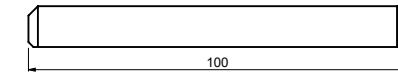
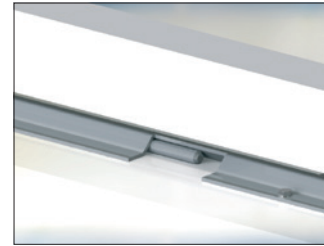
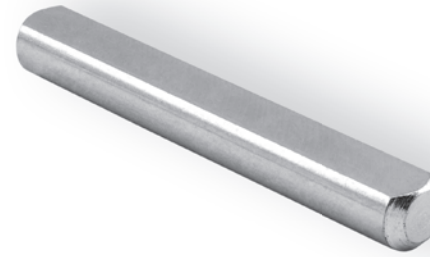
SLIDING GATE HARDWARE



- (GB) „V“ PROFILE GUIDE, FIXED, FOR SLIDING GATES AND DOORS
 (D) „V“ PROFIL FÜR SCHIEBETÖRE ZUM SCHRAUBEN
 (F) GUIDE PROFILÉ EN « V », FIXÉ, POUR PORTAILS ET PORTES COULISSANTS
 (E) GUÍA CON PERFIL « V » FIJA, PARA PORTONES Y PUERTAS CORREDERAS
 (P) GUIA DE PERFIL EM «V», FIXO, PARA PORTÕES E PORTAS DESLIZANTES
 (I) GUIDA CON PROFILO A «V», FISSA, PER CANCELLI E PORTE SCORREVOLI
 (DK) „V“ PROFILVANGE, FAST, FOR SKYDEPORTE OG DØRE
 (NL) „V“ PROFIEL GELEIDER, VASTGESCHROEFD, VOOR SCHUIFPOORTEN EN DEUREN
 (N) „V“-PROFILSKINNE, FAST, FOR SKYVEPORTER OG -DØRER
 (S) „V“ GEJDPROFIL, FAST, FÖR SKJUTBARA GRINDAR OCH DÖRRAR
 (FIN) „V“-PROFILINEN OHJAIN, PYSYVÄ, LIUKUPORTTEIHIN JA -OVIIN
 (PL) SZYNA O PROFILU „V“, PRZYKREŚCANA, DO BRAM I DRZWI PRZESUWNYCH
 (SK) KOLAJNICA „V“ PROFIL PRE POSUVNÚ BRÁNU A DVĚRE, K PRISKRUTKOVANIU
 (EE) „V“-PROFILI JUHK, FIKSEERITUD, LIUGVÄRAVATE JA -USTE JAOKS
 (LT) „V“ FORMOS PROFILIUOTOS KREIPTUVAS, FIKSUOTOS, STUMDOMIESIEMS VARTAMS IR DURIMS
 (LV) „V“ VEIDA PROFILS, FIKSĒTS, BĪDĀMAJEM VĀRTIEM UN DURVĪM

- (CZ) ŠINA „V“ PROFIL PRO POSUVNOU BRÁNU A VRATA, K PŘÍŠROBOVÁNÍ
 (RO) PROFIL DE GHIDAJ „V“, FIX, PENTRU PORTILE ȘI UȘILE GLISANTE
 (HR) VODILICA „V“ PROFILA, UGRADNJA ZAVRTNJIMA, ZA KLIZNA DVORIŠNA I KUĆNA VRATA
 (RUS) МОНОРЕЛЬС / ПРОФИЛЬ «V» ДЛЯ ОТКАТНЫХ ВОРОТ, ПРИКРУЧИВАНИЕ ВИНТАМИ
 (SLO) „V“ VODILO, FIKSNO, ZA DRŠNA VRATA
 (TR) SÜRGÜLÜ BAĖÇE KAPILARI VE KAPILAR İÇİN „V“ PROFIL KIZAĞI, SABIT
 (AR) دعامة دليلية جانبية «V» ثابتة للقبولت والابواب المنزلقة
 (CHN) 滑动门固定式“V”型导轨
 (MAL) PANDU PROFIL „V“, TETAP, UNTUK PINTU PAGAR DAN PINTU GELONGSOR
 (H) V-VEZETŐSÍN, RÖGZÍTETT, TOLÓAJTÓKHOZ ÉS KAPUKHOZ
 (IL) מסילה זוויתית לשיעור הזזה התקנה בצינור
 (BG) „V“-ОБРАЗЕН ПРОФИЛ, ФИКСИРАН, ЗА ПЛЪЗГАЩИ ПОРТИ И ВРАТИ
 (KO) „V“자형 프로파일 가이드, 고정식, 슬라이딩 게이트 및 도어용
 (SRB) VODICA „V“ PROFILA, UGRADNJA ZAVRTNJIMA, ZA KLIZNE KAPUJE I VRATA

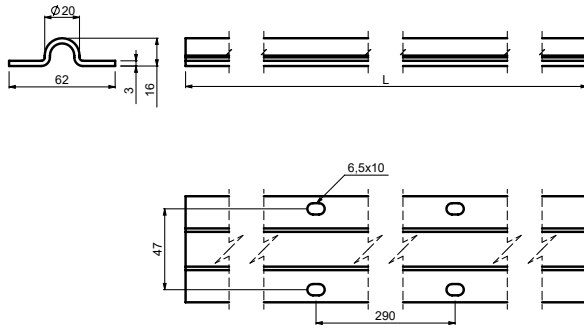
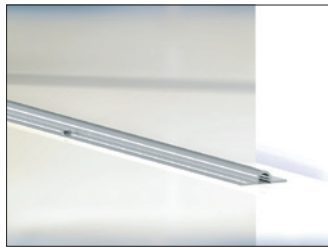
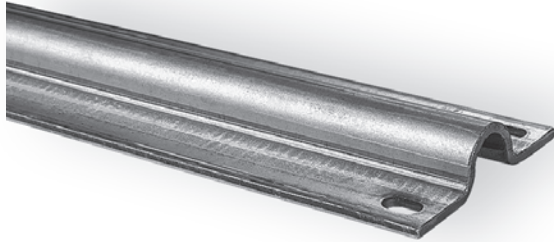
Art.	SURFACE FINISH	L/1pc	1pc		CODE	
			mm	kg	pcs	kg
TRAIL 6	GALVANIZED	6000	9,9	20	198	1700161
TRAIL 4	GALVANIZED	4000	6,6	20	132	1720055
TRAIL 3	GALVANIZED	3000	4,95	20	99	1700203
TRAIL 2	GALVANIZED	2000	3,3	20	66	1720057
TRAIL 1	GALVANIZED	1000	1,65	20	33	1720058



- (GB) FIXING PIN FOR PROFILE GUIDE
 (D) FIXIERSTIFT FÜR PROFILFÜHRUNG
 (F) GOUPILLE DE FIXATION POUR GUIDE DE PROFIL
 (E) PERNO DE FIJACIÓN PARA GUÍA DE PERFIL
 (P) PINO DE FIXAÇÃO PARA O GUIA DE PERFIL
 (I) PERNO DI FISSAGGIO PER GUIDA PROFILATA
 (DK) FASTGØRELSESSTIFT TIL PROFILVANGE
 (NL) BEVESTIGINGSPLAAT VOOR PROFIELGELEIDER
 (N) FESTEPIINNE FOR PROFILSTYRING
 (S) FIXERINGSTIFT FÖR GEJDPROFIL
 (FIN) KIINITYSTAPPI PROFILIOHJAJMEEN
 (PL) BOLEC USTALAJĄCY DO SZYNY
 (SK) UPEVŇOVACÍ KOLÍK PRE VEDENIE PROFILU
 (EE) FIKSEERIMISTIVH PROFILIJUHIKU JAOKS
 (LT) PROFILIUOTO KREIPTUVO TVIRTINIMO KAIŠTIS
 (LV) FIKSEJŠOŠA TAPA PROFILAM

- (CZ) FIXAČNÍ KOLÍK PRO PROFIL
 (RO) PIVOT DE FIXARE PENTRU PROFILUL DE GHIDAJ
 (HR) FIKSIRAJUĆI KLIN ZA PROFILNU VODILICU
 (RUS) КРЕПЕЖНЫЙ ШТИФТ ДЛЯ НАПРАВЛЯЮЩЕГО РЕЛЬСА ПРОФИЛЯ
 (SLO) PRITRDLNI ZATIČ ZA PROFILIRANO VODILO
 (TR) PROFIL YATAĞI İÇİN SABITLEMELİ PİMİ
 (AR) مسامير التثبيت لموجه القطار
 (CHN) 型材导向装置固定销
 (MAL) PIN IKATAN UNTUK PANDUAN PROFIL
 (H) RÖGZÍTŐCSAP VEZETŐSÍNHEZ
 (IL) פין קיבוע לפרופיל מוביל
 (BG) ФИКСИРАЩ БОЛТ ЗА РЕЛСА
 (KO) 프로파일 가이드용 고정 핀
 (SRB) FIKSIRAJUĆI KLIN ZA PROFIL VODICE

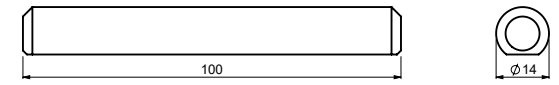
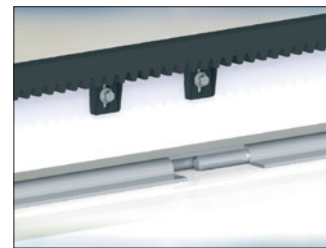
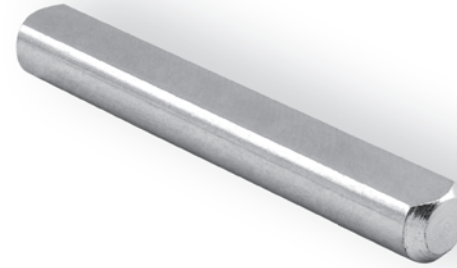
Art.	GUIDE	1pc		CODE	
		kg	pcs	kg	
PIN TRAIL	TRAIL	0,08	10	0,8	1700346



- (GB) „O“ PROFILE GUIDE, FIXED, FOR SLIDING GATES AND DOORS
 (D) „O“ PROFIL FÜR SCHIEBETÖRE ZUM SCHRAUBEN
 (F) GUIDE PROFIL EN « O », FIXÉ, POUR PORTAILS ET PORTES COULISSANTS
 (E) GUÍA CON PERFIL "O" FIJA, PARA PORTONES Y PUERTAS CORREDERAS
 (P) GUIA DE PERFIL EM "O", FIXO, PARA PORTÕES E PORTAS DESLIZANTES
 (I) GUIDA CON PROFILO A "O", FISSA, PER CANCELLI E PORTE SCORREVOLI
 (DK) "O" PROFILVANGE, FAST, FOR SKYDEPORTE OG DØRE
 (NL) "O" PROFIEL GELEIDER, VASTGESCHROEFD, VOOR SCHUIFPOORTEN EN DEUREN
 (N) "O"-PROFILSKINNE, FAST, FOR SKYVEPORTER OG -DØRER
 (S) "O" GEJDPROFIL, FAST, FÖR SKJUTBARA GRINDAR OCH DÖRRAR
 (FIN) "O"-PROFILINEN OHJAIN, PYSYVÄ, LIUKUPORTTEIHIN JA -OVIIN
 (PL) SZYNA O PROFILU „O“, PRZYKREŚCANA, DO BRAM I DRZWI PRZESUWNYCH
 (SK) KOLAJNICA „O“ PROFIL PRE POSUVNÚ BRÁNU A DVERE, K PRISKRUTKOVANIU
 (EE) "O"-PROFILI JUHK, FIKSEERITUD, LIUGVÄRVATE JA -JUSTE JAAKS
 (LT) „O“ FORMOS PROFILIUOTAS KREIPTUVAS, FIKSUOTAS, ŠTUMDOMIESIEMS VARTAMS IR DURIMS
 (LV) "O" VEIDA PROFILS, FIKSĒTS, BĪDĀMAJEM VĀRTIEM UN DURVĪM

- (CZ) ŠÍNA „O“ PROFIL PRO POSUVNOU BRÁNU A VRATA, K PŘÍŠROBOVÁNÍ
 (RO) PROFIL DE GHIDAJ „O“, FIX, PENTRU PORTILE ȘI UȘILE GLISANTE
 (HR) VODILICA „O“ PROFILA, UGRADNJA ZAVRTNJIAMA, ZA KLIZNA DVORIŠNA I KUĆNA VRATA
 (RUS) МОНОРЕЛЬС / ПРОФИЛЬ «О» ДЛЯ ОТКАТНЫХ ВОРОТ, ПРИКРУЧИВАНИЕ ВИНТАМИ
 (SLO) "O" VODILO, FIKSNO, ZA DRŠNA VRATA
 (TR) SÜRGÜLÜ BAHÇE KAPILARI VE KAPILAR İÇİN "O" PROFIL KIZAĞI, SABIT
 (AR) دعامة دليلية حائبية "O" لتتمة البواب والابواب المنزلقة
 (CHN) 滑动门固定式"O"型导轨
 (MAL) PANDU PROFIL "O", TETAP, UNTUK PINTU PAGAR DAN PINTU GELONGSOR
 (H) O-VEZETŐSÍN, RÖGZÍTETT, TOLÓAJTÓKHOZ ÉS KAPUKHOZ
 (IL) מוטען דורח הולקנה בצינור O ספיליה
 (BG) "O"-ОБРАЗЕН ПРОФИЛ, ФИКСИРАН, ЗА ПЛЪЗГАЩИ ПОРТИ И ВРАТИ
 (KO) "O"자형 프로필 가이드, 고정식, 슬라이딩 게이트 및 도어용
 (SRB) VOĐICA „O“ PROFILA, UGRADNJA ZAVRTNJIAMA, ZA KLIZNE KAPIJE I VRATA

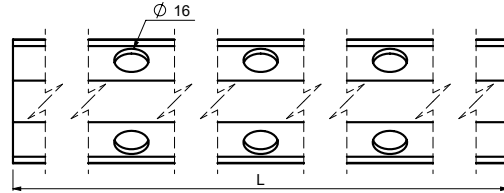
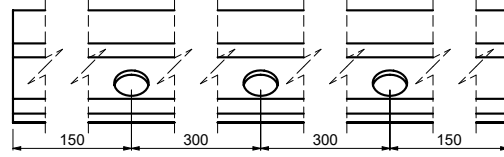
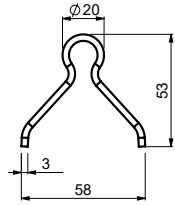
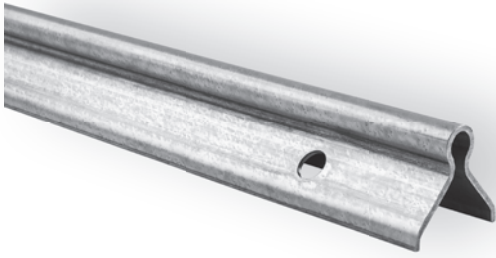
Art.	SURFACE FINISH	L/1pc	1pc	Image		CODE
				mm	kg	
ROAD 6	GALVANIZED	6000	10,62	20	212,4	1700162
ROAD 4	GALVANIZED	4000	7,08	20	141,6	1720061
ROAD 3	GALVANIZED	3000	5,31	20	106,2	1700204
ROAD 2	GALVANIZED	2000	3,54	20	70,8	1720063
ROAD 1	GALVANIZED	1000	1,77	20	35,4	1720064



- (GB) FIXING PIN FOR PROFILE GUIDE
 (D) FIXIERSTIFT FÜR PROFILFÜHRUNG
 (F) GOUPILLE DE FIXATION POUR GUIDE DE PROFIL
 (E) PERNO DE FIJACIÓN PARA GUÍA DE PERFIL
 (P) PINO DE FIXAÇÃO PARA O GUIA DE PERFIL
 (I) PERNO DI FISSAGGIO PER GUIDA PROFILATA
 (DK) FASTGØRLESSTIFT TIL PROFILVANGE
 (NL) BEVESTIGINGSPLAAT VOOR PROFIELGELEIDER
 (N) FESTE PINNE FOR PROFILSTYRING
 (S) FIXERINGSSTIFT FÖR GEJDPROFIL
 (FIN) KIINITYSTAPPI PROFILIOHJAJMEEN
 (PL) BOLEC USTALAJĄCY DO SZYNY
 (SK) UPEVNŇOVACÍ KOLÍK PRE VEDENIE PROFILU
 (EE) FIKSEERIMISTIHV PROFILIJUHIKU JAAKS
 (LT) PROFILIUOTO KREIPTUVO TVIRTINIMO KAIŠTIS
 (LV) FIKSĒJŠĀ TAPA PROFILAM


- (CZ) FIXAČNÍ KOLÍK PRO PROFIL
 (RO) PIVOT DE FIXARE PENTRU PROFILUL DE GHIDAJ
 (HR) FIKSIRAJUĆI KLIN ZA PROFILNU VODILICU
 (RUS) КРЕПЕЖНЫЙ ШТИФТ ДЛЯ НАПРАВЛЯЮЩЕГО РЕЛЬСА ПРОФИЛЯ
 (SLO) PRITRDLNI ZATIČ ZA PROFILIRANO VODILO
 (TR) PROFIL YATAĞI İÇİN SABITLEME PİMİ
 (AR) مسمار التثبيت لموجه القطاع
 (CHN) 型材导向装置固定销
 (MAL) PIN IKATAN UNTUK PANDUAN PROFIL
 (H) RÖGZÍTŐCSAP VEZETŐSÍNHEZ
 (IL) פין קביעה לפרופיל מוביל
 (BG) ФИКСИРАЩ БОЛТ ЗА РЕЛСА
 (KO) 프로필 가이드용 고정 핀
 (SRB) FIKSIRAJUĆI KLIN ZA PROFIL VOĐICE

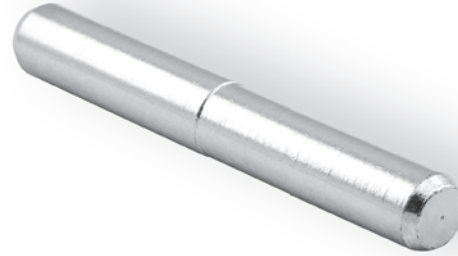
Art.	GUIDE	1pc	Image		CODE
			kg	pcs	
PIN ROAD	ROAD	0,11	10	1,1	1700347



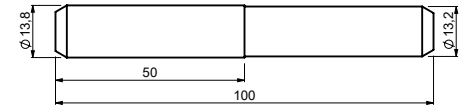
- (GB) „O“ PROFILE GUIDE, CONCRETED, FOR SLIDING GATES AND DOORS
- (D) „O“ PROFIL FÜR SCHIEBETORE ZUM BETONIEREN
- (F) GUIDE PROFILÉ EN « O », BÉTONNÉ, POUR PORTAILS ET PORTES COULISSANTS
- (E) GUÍA CON PERFIL "O" ENCONFRADA, PARA PORTONES Y PUERTAS CORREDERAS
- (P) GUIA DE PERFIL EM "O", CONCRETADO, PARA PORTÕES E PORTAS DESLIZANTES
- (I) GUIDA CON PROFILO "O", CEMENTATA, PER CANCELLI E PORTE SCORREVOLI
- (DK) "O" PROFILVANGE, STØBT I BETON, FOR SKYVEPORTE OG DØRE
- (NL) "O" PROFIEL GELEIDER, GESTORT IN BETON, VOOR SCHUIFPOORTEN EN DEUREN
- (N) "O"-PROFILSKINNE, BETONGFESTET, FOR SKYVEPORTER OG -DØRER
- (S) "O" GEJDPROFIL, CEMENTERAD, FÖR SKJUTBARA GRINDAR OCH DÖRRAR
- (FIN) "O"-PROFILINEN OHJAIN, BETONINEN, LIUKUPORTTEIHIN JA OVIIN
- (PL) SZYNA O PROFILU „O“, ZALEWANA W BETONIE, DO BRAM I DRZWI PRZESUWNYCH
- (SK) KOLAJNICA „O“ PROFIL PRE POSUVNÚ BRÁNU A DVERE, K ZABETONOVANIU
- (EE) "O"-PROFILLI JUHIK, BETONISEERITUD, LIUGVÄRIVATE JA -JUSTE JAOKS
- (LT) „O“ FORMOS PROFILIUOTAS KREIPTUVAS, BETONUOTAS, STUMDOMIESIEMS VARTAMS IR DURIMS
- (LV) "O" VEIDA PROFILS, BETONĒTS, BĪDĀMAJIEM VĀRTIEM UN DURVĪM

- (CZ) ŠÍNA „O“ PROFIL PRO POSUVNOU BRÁNU A VRATA, K ZABETONOVÁNÍ
- (RO) PROFIL DE GHIDAJ „O“, CIMENTAT, PENTRU PORȚILE ȘI UȘILE GLISANTE
- (HR) VODILICA „O“ PROFILA, UGRADNJA BETONIRANJEM, ZA KLIZNA DVORIŠNA I KUĆNA VRATA
- (RUS) МОНОРЕЛЬС / ПРОФИЛЬ «О» ДЛЯ ОТКАТНЫХ ВОРОТ. ЦЕМЕНТИРОВАНИЕ
- (SLO) "O" VODILO, ZA PRITRDIITEV Z BETONIRANJEM, ZA DRŠNA VRATA
- (TR) SÜRGÜLÜ BAHÇE KAPILARI VE KAPILAR İÇİN "O" PROFİL KIZAĞI, BETONLA SABİTLENMİŞ
- (AR) إستيئة البواب والارباب العازقة "O" دعامة خلية حلقية
- (CHN) 滑动门混凝土"O"型导轨
- (MAL) PANDU PROFIL "O", KONKRIT, UNTUK PINTU PAGAR DAN PINTU GELONGSOR
- (H) O-VEZETŐSÍN, BETONBA ÁGYAZOTT, TOLÓAJTÓKHOZ ÉS KAPUKHOZ
- (IL) מנעד לנתיב O
- (BG) "O"-ОБРАЗЕН ПРОФИЛ, БЕТОНЕН, ЗА ПЛЪЗГАЩИ ПОРТИ И ВРАТИ
- (KO) "O" 자형 프로파일 가이드, 콘크리트식, 슬라이딩 게이트 및 도어용
- (SRB) VODICA „O“ PROFILA, UGRADNJA BETONIRANJEM, ZA KLIZNE KAPJVE I VRATA

Art.	SURFACE FINISH	L/1pc	1pc			CODE
		mm	kg	pcs	kg	
VECTOR 6	GALVANIZED	6000	17,82	40	712,8	1720101
VECTOR 3	GALVANIZED	3000	8,91	40	356,4	1720102




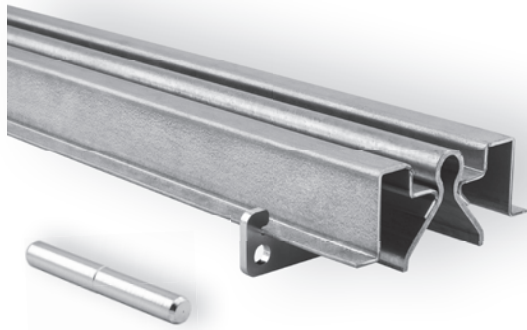
-  CAIS INNOVATION
-  ASYMMETRIC PIN FOR EASY INSTALLATION



- (GB) FIXING PIN FOR PROFILE GUIDE
- (D) FIXIERSTIFT FÜR PROFILFÜHRUNG
- (F) GOUPILLE DE FIXATION POUR GUIDE DE PROFIL
- (E) PERNO DE FIJACIÓN PARA GUÍA DE PERFIL
- (P) PINO DE FIXAÇÃO PARA O GUIA DE PERFIL
- (I) PERNO DI FISSAGGIO PER GUIDA PROFILATA
- (DK) FASTGØRELSSTIFT TIL PROFILVANGE
- (NL) BEVESTIGINGSPLAAT VOOR PROFIELGELEIDER
- (N) FESTEPINNE FOR PROFILSTYRING
- (S) FIXERINGSSTIFT FÖR GEJDPROFIL
- (FIN) KIINNIITYSTAPPI PROFILIOHJAJMEEN
- (PL) BOLEC USTALAJĄCY DO SZYNY
- (SK) UPEVŇOVACÍ KOLÍK PRE VEDENIE PROFILU
- (EE) FIKSEERIMISTIVH PROFILIJUHIKU JAOKS
- (LT) PROFILIUOTO KREIPTUVO TVIRTINIMO KAIŠTIS
- (LV) FIKSEJOSĀ TAPA PROFILAM

- (CZ) FIXAČNÍ KOLÍK PRO PROFIL
- (RO) PIVOT DE FIXARE PENTRU PROFILUL DE GHIDAJ
- (HR) FIKSIRAJUĆI KLIN ZA PROFILNU VODILICU
- (RUS) КРЕПЕЖНЫЙ ШТИФТ ДЛЯ НАПРАВЛЯЮЩЕГО РЕЛЬСА ПРОФИЛЯ
- (SLO) PRITRDLJNI ZATIČ ZA PROFILIRANO VODILO
- (TR) PROFİL YATAĞI İÇİN SABİTLEME PİMİ
- (AR) مسمار التثبيت لموجه الفتاح
- (CHN) 型材导向装置固定销
- (MAL) PIN IKATAN UNTUK PANDUAN PROFIL
- (H) RÖGZÍTŐCSAP VEZETŐSÍNHEZ
- (IL) פין קיבוע לפרופיל מוביל
- (BG) ФИКСИРАЩ БОЛТ ЗА РЕЛСА
- (KO) 프로파일 가이드용 고정 핀
- (SRB) FIKSIRAJUĆI KLIN ZA PROFIL VOĐICE

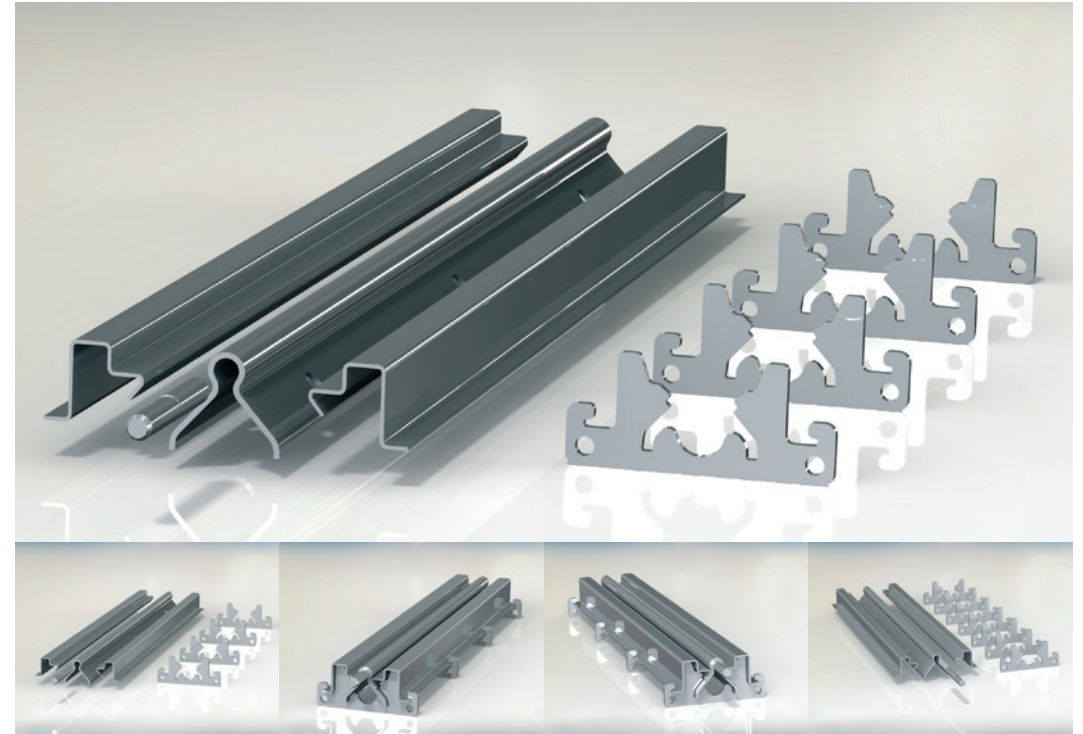
Art.	GUIDE	1pc			CODE
		kg	pcs	kg	
PIN VECTOR	VECTOR	0,11	10	1,1	1700348



S280 STRUCTURAL STEEL

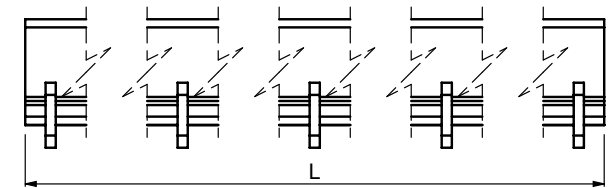
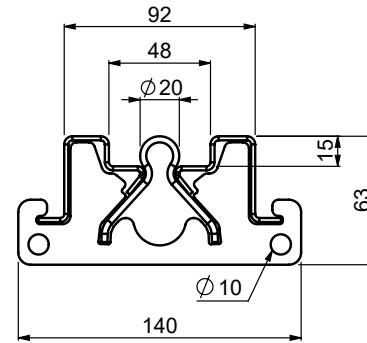
CUSTOMED SHAPE FOR OPTIMAL CONCRETE


DEDICATED HOLE FOR CABLE TUBE

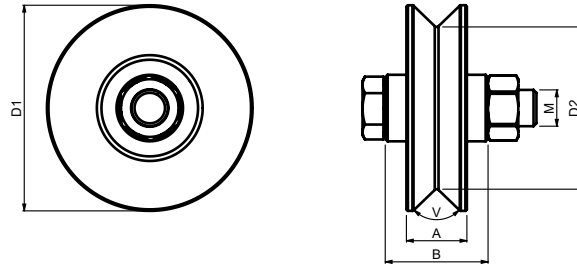


- (GB) .O' PROFILE GUIDE, CONCRETED, WITH SIDE WALLS, FOR SLIDING GATES AND DOORS
- (D) .O'-PROFIL-FÜHRUNG, BETONIERT, MIT SEITENWÄNDEN, FÜR SCHIEBETORE UND -TÜREN
- (F) GUIDE PROFILÉ EN .O', BÉTONNÉ, AVEC PAROIS LATÉRALES, POUR PORTAILS COULISSANTS ET PORTES
- (E) GUÍA DE PERFIL EN .O', HORMIGONADA, CON PAREDES LATERALES, PARA PORTONES Y PUERTAS DESLIZANTES
- (P) GUIA DE PERFIL .O', CONCRETO, COM PAREDES LATERAIS, PARA PORTÕES E PORTAS DESLIZANTES
- (I) GUIDA CON PROFILO A .O', CEMENTATA, CON PARETI LATERALI, PER PORTE E CANCELLI SCORREVOLI
- (DK) .O' PROFILVANGE, BETONSTØBT, MED SIDEVÆGGE, TIL SKYDEPORTE OG DØRE
- (NL) .O' PROFIELGELEIDER, GESTORT IN BETON, ZIJWANDEN, VOOR SCHUIFPOORTEN EN -DEUREN
- (N) .O' PROFILSTYRING, INNSTØPT, MED SIDEVEGGER, FOR RULLEPORTER OG RULLEDØRER
- (S) .O' GEJDPROFIL, BETONGAD MED SIDOVÄGGAR FÖR SKJUTGRINDAR OCH DÖRRAR
- (FIN) .O'-PROFILIIOHJAIN, BETONIPÄÄLLESTEELLÄ, SIVUSEINÄMILLÄ, LIUKUPORTTEIHIN JA -OVIIN
- (PL) SZYNA O PROFILU .O', ZALEWANA W BETONIE, ZE ŚCIANKAMI BOCZNYMI, DO BRAM I DRZWI PRZESUWNYCH
- (SK) VODIACI PROFIL V TVARE .O', BETÓNOVÝ, S BOČNÝMI STENAMI, PRE POSUVNÉ BRÁNY A DVERE
- (EE) .O'PROFILIIL JUHIK, BETONISEERITUD, KÜLGSEINTEGA, LIUGVÄRAVATE JA -USTE JAOKS
- (LT) .O' FORMOS PROFILIUOTAS KREIPTUVAS, BETONUOTAS, SU ŠONINĖMIS SIENELĖMIS, SKIRTAS STUMDOMIESIEMS VARTAMS IR DURIMS
- (LV) .O' VEIDA PROFILS, BETONĒTS, AR SĀNU SIENĀM, BĪDĀMAJĒM VĀRTIEM UN DURVĪM

- (CZ) ŠÍNA .O' PROFIL S BOČNICEMI PRO POSUVNOU BRÁNU A VRATA K ZABETONOVÁNÍ
- (RO) PROFIL DE GHIDAJ .O', BETONAT, CU PEREȚI LATERALI, PENTRU PORȚI ȘI UȘI CULISANTE
- (HR) .O' PROFILNA VODILICA, BETONIRANA, S BOČNIM STIJENKAMA, ZA KLIZNA VRATA I VRATA
- (RUS) НАПРАВЛЯЮЩИЙ РЕЛЬС, ПРОФИЛЬ «O», БЕТОНИРОВАННЫЙ, С БОКОВЫМИ СТЕНКАМИ, ДЛЯ РАЗДВИЖНЫХ ВОРОТ И ДВЕРЕЙ
- (SLO) .O' VODILO, ZA PRITRDITEV Z BETONIRANJEM, S STRANSKIMI STENAMI, ZA DRSNNA VRATA
- (TR) SÜRGÜLÜ KAPILAR VE NORMAL KAPILAR İÇİN, BETONLANMIŞ, YAN ÇEPERLİ .O' PROFIL YATAĞI
- (AR) موجه قنطاع على شكل حرف "O" مغلفي بالإسمنت، مع جدران جانبية، للوابواب المنزلقة
- (CHN) O型导向装置，混凝土，配有侧壁，适用于滑动门
- (MAL) PANDUAN PROFIL "O", BERKONKRIT, DENGAN DINDING TEPI, UNTUK GET GELONGSOR DAN PINTU
- (H) O-VEZETŐSÍN, BETONBA ÁGYAZOTT, ÖLDALFALAKKAL, TOLÓKAPUHOZ ÉS TOLÓAJTÓHOZ
- (IL) מנחה לנעילה על צורת ה-O, מוגפת בסמנט, עם גדרות צדדיות, לנעילות הזזה
- (BG) .O'-ОБРАЗЕН ПРОФИЛ, ЗА БЕТОНИРАНЕ, СЪС СТРАНИЧНИ СТЕНИ, ЗА ПЛЪЗГАЩИ ПОРТИ И ВРАТИ
- (KO) 슬라이딩 게이트 및 도어용 .O' 프로파일 가이드, 콘크리트식, 측면 벽 포함
- (SRB) VODICA .O' PROFILA, UGRADNJA BETONIRANJEM, ZA KLIZNE KAPLJE I VRATA



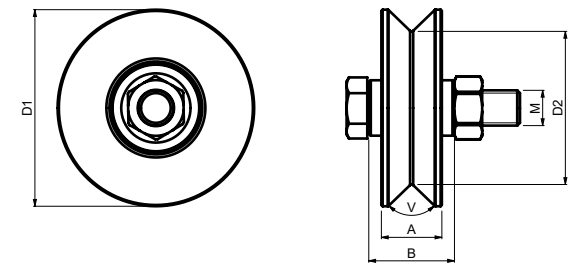
Art.	SURFACE FINISH	L/1pc	1pc			CODE
				pcs	kg	
VECTOR PACK 6	GALVANIZED	6000	40,81	20	816,2	1720107
VECTOR PACK 3	GALVANIZED	3000	20,46	20	409,2	1720108



- (GB) „V” GROOVED WHEEL SINGLE BEARING
- (D) LAUFROLLE FÜR „V” PROFIL MIT LAGER
- (E) ROUE À GORGE EN «V» ET UN ROULEMENT
- (E) RODAMIENTO EXCLUSIVO CON RUEDA ROSCADA EN “V”
- (P) ROLAMENTO ÚNICO DE ROLDANA SULCADA EM “V”
- (I) RUOTA MONOCUSCINETTO CON SCANALATURA A “V”
- (DK) “V” HJUL MED RILLER ENKELT LEJE
- (NL) “V” WIEL ENKELE LAGER
- (N) “V”-RILLEDE HJUL MED ENKELTLAGER
- (S) ENKELLAGRAT SPÅRHJUL MED “V” SPÅR
- (FIN) “V”-URAINEN PYÖRÄ YKSITTÄISELLÄ LAAKERILLA
- (PL) ROLKA O PROFILU „V” Z POJEDYNCZYM ŁOŻYSKIEM
- (SK) KĽADKA SPODNÁ POJAZDOVÁ „V” PROFIL, JEDNOLOŽISKOVÁ
- (EE) “V” SOONILISE RATTÄ ÜKSIKLAAGER
- (LT) VIENGUBAS RATO GUOLIS SU „V” FORMOS GRIOVELIAIS
- (LV) “V” VEIDA PROFILA VELTŅA VIENRINDAS GULTNIS

- (CZ) KĽADKA SPODNÍ POJEZDOVÁ „V” PROFIL, JEDNOLOŽISKOVÁ
- (RO) ROATĂ FORMĂ „V” CU UN SINGUR LAGĂR
- (HR) KOTAČ S „V” UTOROM I JEDNIM LEŽAJEM
- (RUS) РОЛИК НИЖНИЙ, ПРОФИЛЬ «V», ОДНОПОДШИПНИКОВЫЙ
- (SLO) TEKALNO KOLO Z “V” UTOROM Z ENIM LEŽAJEM
- (TR) “V” OLUKLU TEKERLEK, TEK RULMANLI
- (AR) محمل مزود بعملة مخددة على شكل حرف “V”
- (CHN) “V”型槽轮单轴承
- (MAL) BEARING TUNGGAL RODA BERALUR “V”
- (H) V-HORNYS GÖRGÖ EGY CSAPÁGGYAL
- (IL) גלגל צורתי V מיסב בדרך תמיכה חיצונית
- (BG) РОЛКА С ЕДИНИЧЕН ЛАГЕР ЗА “V”-ОБРАЗЕН ПРОФИЛ
- (KO) “V”자형 홈이 있는 휠 싱글 베어링
- (SRB) TOČKIĆ SA „V” ŽLEBOM I JEDNIM LEŽAJEM

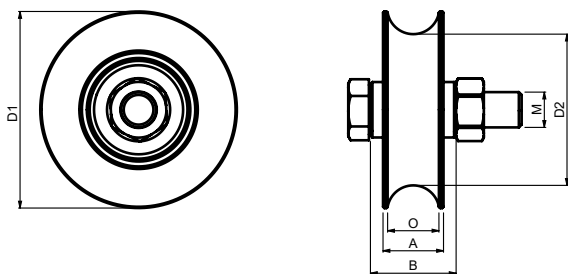
Art.	D1	D2	A	B	M	V	BEARING	capacity / pc		1pc		CODE
								kg	kg	pcs	kg	
	Ø		mm			v						
WV 620	59	45	20	34	M12x50	92°	single	150	0,34	30	10,2	1700025
WV 820	78	64	20	34	M14x55	92°	single	150	0,65	20	13	1700026
WV 920	88	74	20	34	M14x55	92°	single	170	0,84	20	16,8	1700027
WV 1020	98	84	20	34	M14x55	92°	single	180	1,06	20	21,2	1700028



- (GB) „V” GROOVED WHEEL DOUBLE BEARING
- (D) „V”-NUT-RAD, DOPPELLAGER
- (F) ROUE RAINURÉE EN „V” DOUBLE ROULEMENT
- (E) RODAMIENTO DOBLE DE RUEDA RANURADA “V”
- (P) ROLAMENTO DUPLO DE RODA RANHURADA „V”
- (I) RUOTA A DOPPIO CUSCINETTO CON SCANALATURA A „V”
- (DK) DOBBELT LEJE MED “V”-RILLET HJUL
- (NL) “V” WIEL DUBBELE LAGER
- (N) „V”-SPOR HJUL DOBBELTLAGER
- (S) DUBBELLAGRAT SPÅRHJUL „V”
- (FIN) “V”-URAINEN PYÖRÄN KAKSOISLAAKERI
- (PL) ROLKA O PROFILU „V” Z PODWÓJNYM ŁOŻYSKIEM
- (SK) DVOJITÉ LOŽISKO S DRÁŽKAMI V TVARE „V”
- (EE) “V” SOONILISE RATTÄ TOPELTLAGER
- (LT) DVIGUBAS RATO GUOLIS SU „V” FORMOS GRIOVELIAIS
- (LV) “V” VEIDA PROFILA VELTŅA DIVRINDU GULTNIS

- (CZ) KĽADKA SPODNÍ POJEZDOVÁ „V” PROFIL DVOULOŽISKOVÁ
- (RO) RULMENȚI DUBLI CU ROTI DINȚATE ÎN FORMĂ DE „V”
- (HR) “V” ŽLJEJNI DVOSTRUKI LEŽAJ KOTAČA
- (RUS) РОЛИК НИЖНИЙ, ПРОФИЛЬ «V», ДВУХПОДШИПНИКОВЫЙ
- (SLO) DVOJNI LEŽAJ KOLESA Z “V” UTOROM
- (TR) “V” YIVLİ TEKERLEKLI ÇİFT YATAK
- (AR) محمل مزدوج بعملة مخددة على شكل حرف “V”
- (CHN) V槽轮双轴承
- (MAL) BEARING BERGANDA DENGAN RODA BERALUR “V”
- (H) V-HORNYS GÖRGÖ KÉT CSAPÁGGYAL
- (IL) גלגל צורת V מיסב כפול
- (BG) РОЛКА С ДВОЕН ЛАГЕР ЗА “V”-ОБРАЗЕН ПРОФИЛ
- (KO) “V”자형 홈이 있는 휠 더블 베어링
- (SRB) TOČKIĆ SA „V” ŽLEBOM I DVA LEŽAJA

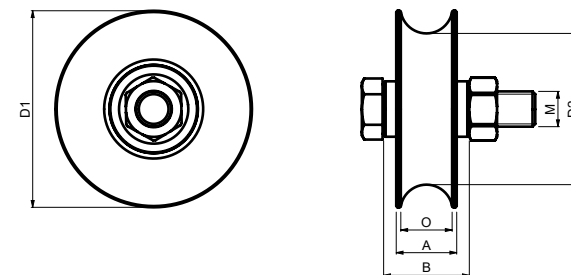
Art.	D1	D2	A	B	M	V	BEARING	capacity / pc		1pc		CODE
								kg	kg	pcs	kg	
	Ø		mm			v						
WV 824 B2	78	61	24	34	M14x55	92°	double	260	0,78	10	7,8	1700257
WV 924 B2	88	71	24	34	M14x55	92°	double	280	1	10	10	1700258
WV 1024 B2	98	81	24	34	M14x55	92°	double	300	1,25	10	12,5	1700259
WV 1228 B2	118	98	28	44	M14x65	92°	double	460	2,09	6	12,54	1700260
WV 1430 B2	138	118	30	44	M14x65	92°	double	560	3,14	4	12,56	1700261
WV 1630 B2	158	138	30	44	M14x65	92°	double	580	4,18	2	8,36	1700262



- (GB) „O“ GROOVED WHEEL SINGLE BEARING
 (D) LAUFROLLE FÜR „O“ PROFIL MIT LAGER
 (F) ROUE À GORGE EN «O» ET UN ROULEMENT
 (E) RODAMIENTO EXCLUSIVO CON RUEDA ROSCADA EN “O”
 (P) ROLAMENTO ÚNICO DE ROLDANA SULCADA EM “O”
 (I) RUOTA MONOCUSCINETTO CON SCANALATURA A “O”
 (DK) “O” HJUL MED RILLER ENKELT LEJE
 (NL) “O” WIEL ENKELE LAGER
 (N) “O”-RILLEDE HJUL MED ENKELTLAGER
 (S) ENKELLAGRAT SPÄRHJUL MED “O” SPÅR
 (FIN) “O”-URAINEN PYÖRÄ YKSITTÄISELLÄ LAAKERILLA
 (PL) ROLKA O PROFILU „O“ Z PODWÓJNYM ŁOŻYSKIEM
 (SK) KĽADKA SPODNÁ POJAZDOVÁ „O“ PROFIL, JEDNOLOŽISKOVÁ
 (EE) “O” SOONILISE RATTA ÜKSIKLAAGER
 (LT) VIENGUBAS RATO GUOLIS SU „O“ FORMOS GRIOVELIAS
 (LV) “O” VEIDA PROFILA VELTŅA VIENRINDAS GULTNIS

- (CZ) KĽADKA SPODNÍ POJEZDOVÁ „O“ PROFIL, JEDNOLOŽISKOVÁ
 (RO) ROATĂ FORMĂ „O“ CU UN SINGUR LĂGĂR
 (HR) KOTAČ S „O“ UTOROM I JEDNIM LEŽAJEM
 (RUS) РОЛИК НИЖНИЙ, ПРОФИЛЬ «О», ОДНОПОДШИПНИКОВЫЙ
 (SLO) TEKALNO KOLO Z “O” UTOROM Z ENIM LEŽAJEM
 (TR) “O” ÖLÜKLU TEKERLEK, TEK RULMANLI
 (AR) محمل فودي للعلبة المدخدة “O”
 (CHN) “O”型槽轮单轴承
 (MAL) BEARING TUNGGAL RODA BERALUR “O”
 (H) O-HORNYS GÖRGÖ EGY CSAPÁGGYAL
 (IL) גלגל צורת O מיסב כפול O גלגל תמיכה חצינית
 (BG) РОЛКА С ЕДИНИЧЕН ЛАГЕР ЗА “O”-ОБРАЗЕН ПРОФИЛ
 (KO) “O”자형 홈이 있는 휠 싱글 베어링
 (SRB) TOČKIĆ SA „O” ŽLEBOM I JEDNIM LEŽAJEM

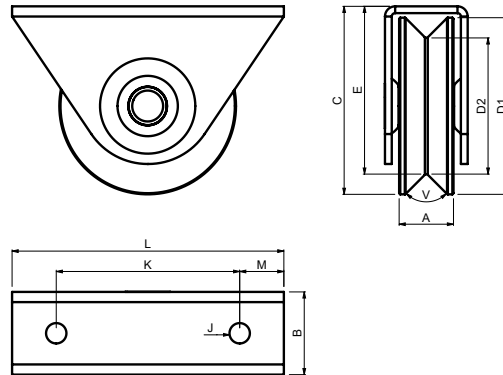
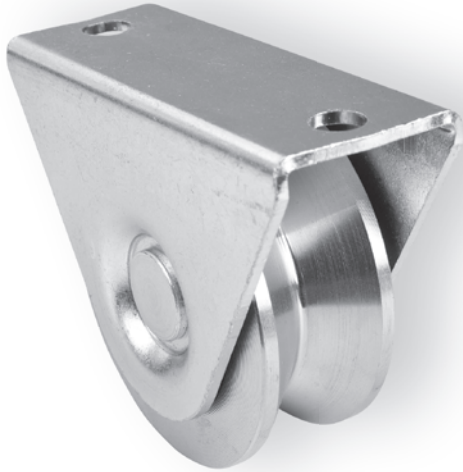
Art.	D1	D2	A	B	M	O	BEARING	capacity / pc		1pc		CODE
								kg	kg	pcs	kg	
WO 824	78	60	24	34	M14x55	21	single	150	0,62	20	12,4	1700029
WO 924	88	70	24	34	M14x55	21	single	170	0,83	20	16,6	1700221
WO 1024	98	80	24	34	M14x55	21	single	180	1,07	16	17,12	1700030



- (GB) „O“ GROOVED WHEEL DOUBLE BEARING
 (D) „O“-NUT-RAD, DOPPELLAGER
 (F) ROUE RAINURÉE EN „O“ DOUBLE ROULEMENT
 (E) RODAMIENTO DOBLE DE RUEDA RANURADA “O”
 (P) ROLAMENTO DUPLO DE RODA RANHURADA „O”
 (I) RUOTA A DOPPIO CUSCINETTO CON SCANALATURA A „O”
 (DK) DOBBELT LEJE MED “O”-RILLET HJUL
 (NL) “O” WIEL DUBBELE LAGER
 (N) “O”-SPOR HJUL DOBBELTLAGER
 (S) DUBBELLAGRAT SPÄRHJUL „O”
 (FIN) “O”-URAINEN PYÖRÄN KAKSOISLAAKERI
 (PL) ROLKA O PROFILU „O” Z PODWÓJNYM ŁOŻYSKIEM
 (SK) DVOJITÉ LOŽISKO S KOLESOM S DRÁŽKOU V TVARE „O”
 (EE) “O” SOONILISE RATTA TOPELTLAAGER
 (LT) DVIUGUBAS RATO GUOLIS SU „O” FORMOS GRIOVELIAS
 (LV) “O” VEIDA PROFILA VELTŅA DIVRINDU GULTNIS

- (CZ) KĽADKA SPODNÍ POJEZDOVÁ „O“ PROFIL DVOULOŽISKOVÁ
 (RO) RULMENȚI DUBLI CU ROȚI DINȚATE ÎN FORMĂ DE „O”
 (HR) “O” ŽLJEVNI DVOSTRUKI LEŽAJ KOTAČA
 (RUS) РОЛИК НИЖНИЙ, ПРОФИЛЬ «О», ДВУХПОДШИПНИКОВЫЙ
 (SLO) DVOJNI LEŽAJ KOLESA Z “O” UTOROM
 (TR) “O” YIVLI TEKERLEKLI ÇİFT YATAK
 (AR) محمل مزدوج بعجلة مدخدة على شكل حرف “O”
 (CHN) O槽轮双轴承
 (MAL) BEARING BERGANDA DENGAN RODA BERALUR “O”
 (H) O-HORNYS GÖRGÖ KÉT CSAPÁGGYAL
 (IL) גלגל צורת O מיסב כפול
 (BG) РОЛКА С ДВОЕН ЛАГЕР ЗА “O”-ОБРАЗЕН ПРОФИЛ
 (KO) “O”자형 홈이 있는 휠 더블 베어링
 (SRB) TOČKIĆ SA „O” ŽLEBOM I DVA LEŽAJA

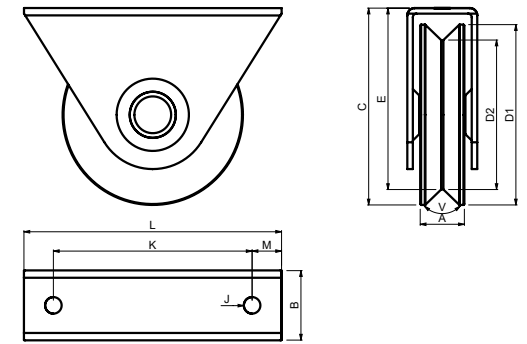
Art.	D1	D2	A	B	M	O	BEARING	capacity / pc		1pc		CODE
								kg	kg	pcs	kg	
WO 824 B2	78	60	24	34	M14x55	21	double	260	0,68	10	6,8	1700263
WO 924 B2	88	70	24	34	M14x55	21	double	280	0,89	10	8,9	1700264
WO 1024 B2	98	80	24	34	M14x55	21	double	300	1,13	10	11,3	1700265
WO 1228 B2	118	100	28	44	M14x65	21	double	460	2,02	6	12,12	1700266
WO 1430 B2	138	120	30	44	M14x65	21	double	560	3,04	4	12,16	1700267
WO 1630 B2	158	140	30	44	M14x65	21	double	580	4,01	2	8,02	1700268



- (GB) „V” GROOVED WHEEL SINGLE BEARING, EXTERNAL SUPPORT
- (D) LAUFROLLE FÜR „V” PROFIL MIT STÜTZE UND LAGER
- (F) ROUE À GORGE EN « V » ET UN ROULEMENT, SUPPORT EXTERNE
- (E) RODAMIENTO EXCLUSIVO CON RUEDA ROSCADA EN “V”, SOPORTE EXTERNO
- (P) ROLAMENTO ÚNICO DE ROLDANA SULCADA EM “V”, SUPORTE EXTERNO
- (I) RUOTA MONOCUSCINETTO CON SCANALATURA A “V”, SOSTEGNO ESTERNO
- (DK) “V” HJUL MED RILLER ENKELT LEJE, UDVENDIGT BESLAG
- (NL) “V” WIEL ENKELE LAGER, EXTERNE STEUN
- (N) “V”-RILLEDE HJUL MED ENKELTLAGER, UTVENDIG STØTTE
- (S) ENKELLAGRAT SPÅRHJUL MED “V” SPÅR, EXTERN STÖD
- (FIN) “V”-URAINEN PYÖRÄ YKSITTÄISELLÄ LAAKERILLA, ULKOINEN TUKI
- (PL) ROLKA O PROFILU „V” Z POJEDYNYM ŁOŻYSKIEM, PODPARCIE ZEWNĘTRZNE
- (SK) KĽADKA SPODNÁ POJAZDOVÁ „V” PROFIL S VONKAJŠOU PODPEROU, JEDNOLOŽISKOVÁ
- (EE) “V” SOONILISE RATTÄ ÜKSIKLAAGER, VÄLISTUGI
- (LT) VIENGUBAS RATO GUOLIS SU „V” FORMOS GROVELIAIS, IŠORINĖ ATRAMA
- (LV) “V” VEIDA PROFILA VELTNĀ VIENRINDAS GULTNIS, ĀRĒJAIS BALSTS

- (CZ) KĽADKA SPODNÍ POJEZDOVÁ „V” PROFIL S VNĚJŠÍ PODPĚROU, JEDNOLOŽISKOVÁ
- (RO) ROATĂ FORMĂ „V” CU UN SINGUR LĂGĂR, SUPORT EXTERN
- (HR) KOTAČ S „V” UTOROM I JEDNIM LEŽAJEM, VANJSKI DRŽAČ
- (RUS) РОЛИК НИЖНИЙ, ПРОФИЛЬ «V», С ВНЕШНИМ КРОНШТЕЙНОМ, ОДНОПОДШИПНИКОВЫЙ
- (SLO) TEKALNO KOLO Z “V” UTOROM Z ENIM LEŽAJEM, ZUNANJI PODPORNIK
- (TR) “V” OLUKLU TEKERLEK, TEK RULMANLI, HARİCİ DESTEK
- (AR) محمل مزود بعجلة مستعدة على شكل حرف “V”، دعامة خارجية
- (CHN) “V”型槽轮单轴承, 外支架
- (MAL) BEARING TUNG GAL RODA BERALUR “V”, SOKONGAN LUARAN
- (H) V-HORNYS GÖRGÖ EGY CSAPÁGGYAL, KÜLSŐ MEGTÁMASZTÁSSAL
- (IL) גלגל מזוד בעגלה מסתعدة על שיל חרוף “V”, תומכה חיצונית
- (BG) РОЛКА С ЕДИНИЧЕН ЛАГЕР ЗА “V”-ОБРАЗЕН ПРОФИЛ, ВЪНШНА ПОДПОРА
- (KO) “V”자형 홈이 있는 휠 상글 베어링, 외부 지지대
- (SRB) TOČKIĆ SA „V” ŽLEBOM I JEDNIM LEŽAJEM, SPOLJAŠNJI DRŽAČ

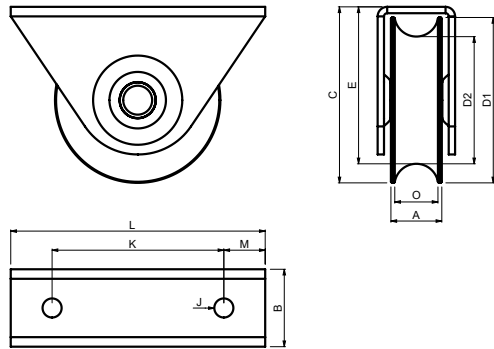
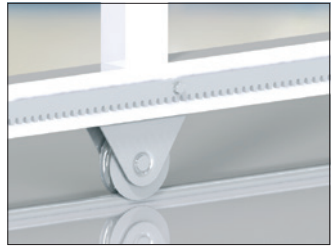
Art.	D1	D2	A	B	C	E	J	K	L	M	V	BEARING	capacity / pc	1pc		CODE	
	∅		mm				∅	mm			v		kg	kg	pcs	kg	
WTV 624	58	42	24	36	65	57	8	65	80	8	92°	single	100	0,54	12	6,48	1700031
WTV 824	78	61	24	36	83	74	9	90	120	15	92°	single	150	0,96	10	9,6	1700032



- (GB) „V” GROOVED WHEEL DOUBLE BEARING, EXTERNAL SUPPORT
- (D) „NUT-RAD, DOPPELLAGER, EXTERNE STÜTZE
- (F) ROUE RAINURÉE EN „V” DOUBLE ROULEMENT, SUPPORT EXTERNE
- (E) RODAMIENTO DOBLE DE RUEDA RANURADA “V”, SOPORTE EXTERNO
- (P) ROLAMENTO DUPLO DE RODA RANHURADA “V”, SUPORTE EXTERNO
- (I) RUOTA A DOPPIO CUSCINETTO CON SCANALATURA A “V”, SOSTEGNO ESTERNO
- (DK) DOBBELT LEJE MED “V”-RILLET HJUL, EKSTERN STØTTE
- (NL) “V” WIEL DUBBELE LAGER, EXTERNE STEUN
- (N) “V”-SPOR HJUL DOBBELTLAGER, EKSTERN STØTTE
- (S) DUBBELLAGRAT SPÅRHJUL „V”, EXTERN STÖD
- (FIN) “V”-URAINEN PYÖRÄN KAKSOISLAAKERI, ULKOINEN TUKI
- (PL) ROLKA O PROFILU „V” Z PODWÓJNYM ŁOŻYSKIEM, PODPARCIE ZEWNĘTRZNE
- (SK) DVOJITÉ LOŽISKO S KOLESOM S DRÁŽKOU V TVARE „V”, VONKAŠIA PODPORA
- (EE) “V” SOONILISE RATTÄ TOPELTLAAGER, VÄLISTUGI
- (LT) DVIGUBAS RATO GUOLIS SU „V” FORMOS GROVELIAIS, IŠORINĖ ATRAMA
- (LV) “V” VEIDA PROFILA VELTNĀ DIVRINDU GULTNIS, ĀRĒJAIS BALSTS

- (CZ) KĽADKA SPODNÍ POJEZDOVÁ „V” PROFIL S VNĚJŠÍ PODPĚROU DVOULOŽISKOVÁ
- (RO) RULMENȚI DUBLI CU ROTI DINȚATE ÎN FORMĂ DE „V”, SUPORT EXTERN
- (HR) “V” ŽLJEVNI DVOSTRUKI LEŽAJ KOTAČA, VANJSKI POTPORANJ
- (RUS) РОЛИК НИЖНИЙ, ПРОФИЛЬ «V», ДВУХПОДШИПНИКОВЫЙ, ВНЕШНЯЯ ОПОРА
- (SLO) TEKALNO KOLO Z “V” UTOROM Z DVEMA LEŽAJEMA, ZUNANJI PODPORNIK
- (TR) “V” YIVLİ TEKERLEKLİ ÇİFT YATAK, DIŞ DESTEK
- (AR) محمل مزدوج بعجلة مستعدة على شكل حرف “V”، دعامة خارجية
- (CHN) V槽轮双轴承, 外部支架
- (MAL) BEARING BERGANDA DENGAN RODA BERALUR “V”, BANTUAN LUARAN
- (H) V-HORNYS GÖRGÖ KÉT CSAPÁGGYAL, KÜLSŐ MEGTÁMASZTÁSSAL
- (IL) גלגל מזוד ב 2 רוטות מ “V” חרוף, תומכה חיצונית
- (BG) РОЛКА С ДВОЕН ЛАГЕР ЗА “V”-ОБРАЗЕН ПРОФИЛ, ВЪНШНА ПОДДРЪЖКА
- (KO) “V”자형 홈이 있는 휠 더블 베어링, 외부 지지대
- (SRB) TOČKIĆ SA „V” ŽLEBOM I DVA LEŽAJA, SPOLJAŠNJI DRŽAČ

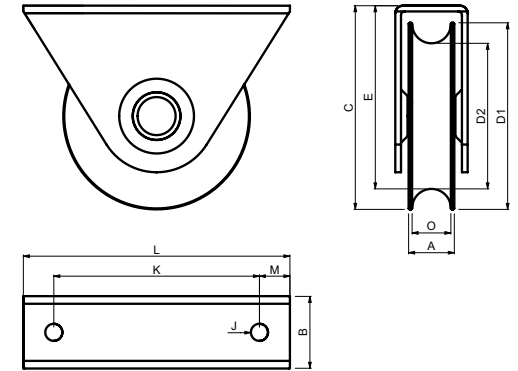
Art.	D1	D2	A	B	C	E	J	K	L	M	V	BEARING	capacity / pc	1pc		CODE	
	∅		mm				∅	mm			v		kg	kg	pcs	kg	
WTV 1024 B2	98	81	24	38	107	98	9	108	140	16	92°	double	300	1,63	10	16,3	1700269



- (GB) „O“ GROOVED WHEEL SINGLE BEARING, EXTERNAL SUPPORT
- (D) LAUFROLLE FÜR „O“ PROFIL MIT STÜTZE UND LAGER
- (F) ROUE À GORGE EN « O » ET UN ROULEMENT, SUPPORT EXTERNE
- (E) RODAMIENTO EXCLUSIVO CON RUEDA ROSCADA EN "O", SOPORTE EXTERNO
- (P) ROLAMENTO ÚNICO DE ROLDANA SULCADA EM "O", SUPORTE EXTERNO
- (I) RUOTA MONOCUSCINETTO CON SCANALATURA A "O", SOSTEGNO ESTERNO
- (DK) "O" HJUL MED RILLER ENKELT LEJE, UDVENDIGT BESLAG
- (NL) "O" WIEL ENKELE LAGER, EXTERNE STEUN
- (N) "O"-RILLEDE HJUL MED ENKELTLAGER, UTVENDIG STØTTE
- (S) ENKELLAGRAT SPÄRHJUL MED "O" SPÄR , EXTERN STÖD
- (FIN) "O"-URAINEN PYÖRÄ YKSITTÄISELLÄ LAAKERILLA, ULKOINEN TUKI
- (PL) ROLKA O PROFILU „O“ Z PODWÓJNYM ŁOŻYSKIEM, PODPARCIE ZEWNĘTRZNE
- (SK) KLADKA SPODNÁ POJAZDOVÁ „O“ PROFIL S VONKAJŠOU PODPEROU, JEDNOLŮŽISKOVÁ
- (EE) "O" SOONILISE RATTÄ ÜKSIKLAAGER, VÄLISTUGI
- (LT) VIENGUBAS RATO GUOLIS SU „O“ FORMOS GROIVELIAIS, IŠORINĖ ATRAMA
- (LV) "O" VEIDA PROFILA VELTŅA VIENRINDAS GULTNIS, ĀRĒJAIS BALSTS

- (CZ) KLADKA SPODNÍ POJEZDOVÁ „O“ PROFIL S VNĚJŠÍ PODPĚROU, JEDNOLŮŽISKOVÁ
- (RO) ROATĂ FORMĂ „O“ CU UN SINGUR LAGĂR, SUPORT EXTERN
- (HR) KOTAČ S „O“ UTOROM I JEDNIM LEŽAJEM, VANJSKI DRŽAČ
- (RUS) РОЛИК НИЖНИЙ, ПРОФИЛЬ «O», С ВНЕШНИМ КРОНШТЕЙНОМ, ОДНОПОДШИПНИКОВЫЙ
- (SLO) TEKALNO KOLO Z "O" UTOROM Z ENIM LEŽAJEM, ZUNANJI PODPORNIK
- (TR) "O" OLUKLU TEKERLEK, TEK RULMANLI, HARİCİ DESTEK
- (AR) حمل فربي العجلة المخددة "O"، دعامة خارجية
- (CHN) "O"型槽輪單軸承-外支架
- (MAL) BEARING TUNGGAL RODA BERALUR "O", SOKONGAN LUARAN
- (H) O-HORNÝOS GÖRGŐ EGY CSAPÁGGYAL, KÜLSŐ MEGTÁMASZTÁSSAL
- (IL) גלגל מרווח בעלת מחדדה "O", תמיכה חיצונית
- (BG) РОЛКА С ДВОЕН ЛАГЕР ЗА "O"-ОБРАЗЕН ПРОФИЛ, ВЪНШНА ПОДДРЪЖКА
- (SK) „DVOJITÉ LOŽISKO S KOLESOM S DRÁŽKOU V TVARE „O“. VONKAJŠIA PODPORA
- (EE) "O" SOONILISE RATTÄ TOPELTLAAGER, VÄLISTUGI
- (LT) DVIUGUBAS RATO GUOLIS SU „O“ FORMOS GROIVELIAIS, IŠORINĖ ATRAMA
- (SRB) TOČKIĆ SA „O“ ŽLEBOM I JEDNIM LEŽAJEM, SPOLJAŠNI DRŽAČ

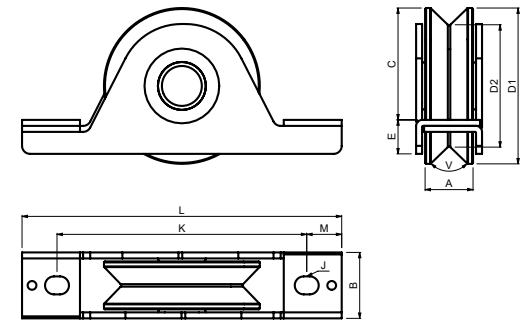
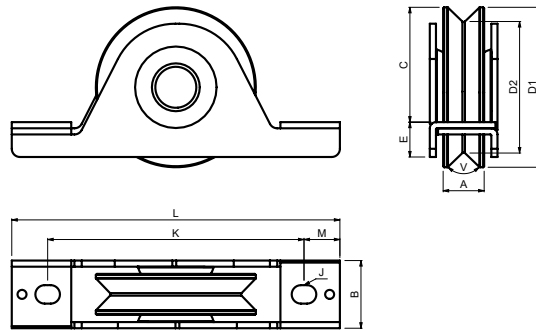
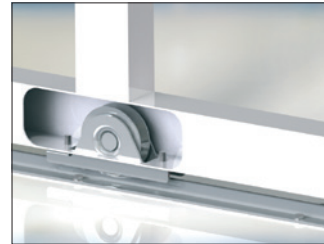
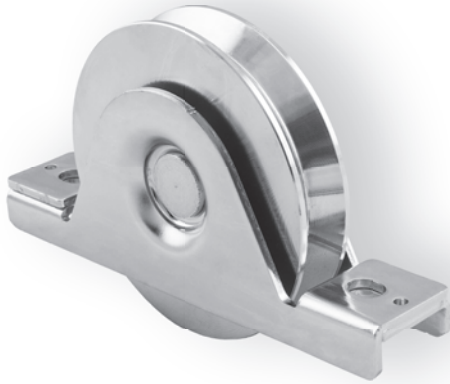
Art.	D1	D2	A	B	C	E	J	K	L	M	O	BEARING	capacity / pc	1pc		CODE		
	Ø						mm						Ø	kg	kg	pcs	kg	
WTO 625	58	40	24	36	65	55	8	65	80	8	21	single	100	0,47	12	5,64	1700033	
WTO 825	78	60	24	36	83	73	9	90	120	15	21	single	150	0,86	10	8,6	1700034	



- (GB) „O“ GROOVED WHEEL DOUBLE BEARING, EXTERNAL SUPPORT
- (D) „O“-NUT-RAD, DOPPELLAGER, EXTERNE STÜTZE
- (F) ROUE RAINURÉE EN „O“ DOUBLE ROULEMENT, SUPPORT EXTERNE
- (E) RODAMIENTO DOBLE DE RUEDA RANURADA "O", SOPORTE EXTERNO
- (P) ROLAMENTO DUPLO DE RODA RANHURADA „O“, SUPORTE EXTERNO
- (I) RUOTA A DOPPIO CUSCINETTO CON SCANALATURA A „O“, SOSTEGNO ESTERNO
- (DK) DOBBELT LEJE MED "O"-RILLET HJUL, EKSTERN STØTTE
- (NL) "O" WIEL DUBBELE LAGER, EXTERNE STEUN
- (N) "O"-SPOR HJUL DOBBELTLAGER, EKSTERN STØTTE
- (S) DUBBELLAGRAT SPÄRHJUL „O“, EXTERN STÖD
- (FIN) "O"-URAINEN PYÖRÄN KAKSOISLAAKERI, ULKOINEN TUKI
- (PL) ROLKA O PROFILU „O“ Z PODWÓJNYM ŁOŻYSKIEM, PODPARCIE ZEWNĘTRZNE
- (SK) „DVOJITÉ LOŽISKO S KOLESOM S DRÁŽKOU V TVARE „O“. VONKAJŠIA PODPORA
- (EE) "O" SOONILISE RATTÄ TOPELTLAAGER, VÄLISTUGI
- (LT) DVIUGUBAS RATO GUOLIS SU „O“ FORMOS GROIVELIAIS, IŠORINĖ ATRAMA
- (LV) "O" VEIDA PROFILA VELTŅA DIVRINDU GULTNIS, ĀRĒJAIS BALSTS

- (CZ) KLADKA SPODNÍ POJEZDOVÁ „O“ PROFIL S VNĚJŠÍ PODPĚROU, DVOULŮŽISKOVÁ
- (RO) RULMENȚI DUBLI CU ROȚI DINȚATE ÎN FORMĂ DE „O“. SUPORT EXTERN
- (HR) "O" ŽLJEJNI DVOSTRUKI LEŽAJ KOTAČA, VANJSKI POTPORANJ
- (RUS) РОЛИК НИЖНИЙ, ПРОФИЛЬ «O», ДВУХПОДШИПНИКОВЫЙ, ВНЕШНЯЯ ОПОРА
- (SLO) TEKALNO KOLO Z "O" UTOROM Z DVEMA LEŽAJEMA, ZUNANJI PODPORNIK
- (TR) "O" YIVLI TEKERLEKLI ÇİFT YATAK, DIŞ DESTEK
- (AR) محمل مزدوج بعجلة مخددة على شكل حرف "O"، دعامة خارجية
- (CHN) O槽輪雙軸承槽輪雙軸承，外部支架
- (MAL) BEARING BERGANDA DENGAN RODA BERALUR "O", BANTUAN LUARAN
- (H) O-HORNÝOS GÖRGŐ KÉT CSAPÁGGYAL, KÜLSŐ MEGTÁMASZTÁSSAL
- (IL) גלגל מרווח בעלת מחדדה "O", תמיכה חיצונית
- (BG) РОЛКА С ДВОЕН ЛАГЕР ЗА "O"-ОБРАЗЕН ПРОФИЛ, ВЪНШНА ПОДДРЪЖКА
- (KO) "O"자형 홈이 있는 휠 더블 베어링, 외부 지지대
- (SRB) TOČKIĆ SA „O“ ŽLEBOM I DVA LEŽAJA, SPOLJAŠNI DRŽAČ

Art.	D1	D2	A	B	C	E	J	K	L	M	O	BEARING	capacity / pc	1pc		CODE		
	Ø						mm						Ø	kg	kg	pcs	kg	
WTO 1024 B2	98	80	24	38	107	97	9	108	140	16	21	double	300	1,5	10	15	1700270	



- (GB) „V” GROOVED WHEEL SINGLE BEARING, INTERNAL SUPPORT
- (D) LAUFROLLE MIT „V” PROFIL MIT STÜTZE UND LAGER
- (F) ROUE À GORGE EN « V » ET UN ROULEMENT, SUPPORT INTERNE
- (E) RODAMIENTO EXCLUSIVO CON RUEDA ROSCADA EN “V”, SOPORTE INTERNO
- (P) ROLAMENTO ÚNICO DE ROLDANA SULCADA EM “V”, SUPORTE INTERNO
- (I) RUOTA MONOCUSCINETTO CON SCANALATURA A “V”, SOSTEGNO INTERNO
- (DK) “V” HJUL MED RILLER ENKELT LEJE, INDVENDIGT BESLAG
- (NL) “V” WIEL ENKELE LAGER, INTERNE STEUN
- (N) “V”-RILLEDE HJUL MED ENKELTLAGER, INNVENDIG STØTTE
- (S) ENKELLAGRAT SPÅRHJUL MED “V” SPÅR, INTERN STÖD
- (FIN) “V”-URAINEN PYÖRÄ YKSITTÄISELLÄ LAAKERILLA, SISÄINEN TUKI
- (PL) ROLKA O PROFILU „V” Z POJEDYNCZYM ŁOŻYSKIEM, PODPARCIE WEWNĘTRZNE
- (SK) KĽADKA SPŔDNÁ POJAZDOVÁ „V” PROFIL S VNÚTORNOU PODPEROU, JEDNOLOŽISKOVÁ
- (EE) “V” SOONILISE RATTA ÜKSIKLAAGER, SISETUGI
- (LT) VIENGUBAS RATO GUOLIS SU „V” FORMOS GROIOVELIAIS, VIDINĖ ATRAMA
- (LV) “V” VEIDA PROFILA VELTNĀ VIENRINDAS GULTNIS, IEKŠĒJAIS BALSTS

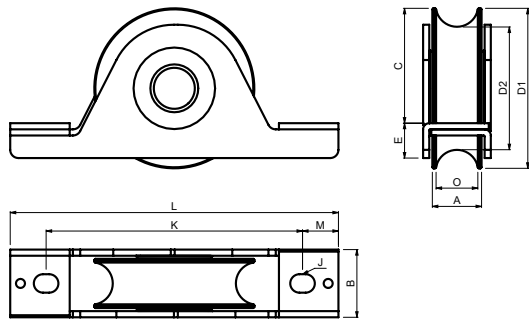
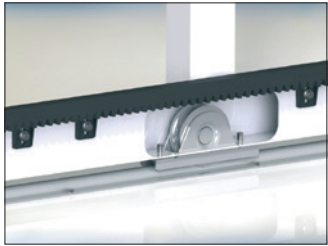
- (CZ) KĽADKA SPŔDNĀ POJEZDOVÁ „V” PROFIL S VNITRNĀ PODPĚROU, JEDNOLOŽISKOVÁ
- (RO) ROATĂ FORMĂ „V” CU UN SINGUR LAGĂR, SUPORT INTERN
- (HR) KOTAČ S „V” UTOROM I JEDNIM LEŽAJEM, UNUTARNJI DRŽAČ
- (RUS) РОЛИК НИЖНИЙ, ПРОФИЛЬ «V», С ВНУТРЕННИМ КРОШТЕЙНОМ, ОДНОПОДШИПНИКОВЫЙ
- (SLO) TEKALNO KOLO Z “V” UTOROM Z ENIM LEŽAJEM, NOTRANJI PODPORNIK
- (TR) “V” OLUKLU TEKERLEK, TEK RULMANLI, DAHLİLİ DESTEK
- (AR) دعامة داخلية “V”-محمل فودي العجلة المنخفضة
- (CHN) “V”型槽轮单轴承, 内支架
- (MAL) BEARING TUNGGAL RODA BERALARU “V”, SOKONGAN DALAMAN
- (H) V-HORNYS GÖRGÖ EGY CSAPÁGGYAL, A GÖRGŐ A MEGTÁMASZTÁSBA SÜLLYED
- (IL) גלגל זווית ביות כפול, מיסב בודד המכסה פנימי
- (BG) РОЛКА С ДВОЕН ЛАГЕР ЗА “V”-ОБРАЗЕН ПРОФИЛ, ВЪТРЕШНА ПОДПОРКА
- (KO) “V”자형 홈이 있는 휠 싱글 베어링, 내부 지지대
- (SRB) TOČKIĆ SA „V” ŽLEBOM I JEDNIM LEŽAJEM, UNUTRAŠNJI DRŽAČ

- (GB) „V” GROOVED WHEEL DOUBLE BEARING, INTERNAL SUPPORT
- (D) „V”-NUT-RAD, DOPPELLAGER, INTERNE STÜTZE
- (F) ROUE RAINURÉE EN „V” DOUBLE ROULEMENT, SUPPORT INTERNE
- (E) RODAMIENTO DOBLE DE RUEDA RANURADA “V”, SOPORTE INTERNO
- (P) ROLAMENTO DUPLO DE RODA RANHURADA „V”, SUPORTE INTERNO
- (I) RUOTAA DOPPIO CUSCINETTO CON SCANALATURA A “V”, SOSTEGNO INTERNO
- (DK) DOBBELT LEJE MED “V”-RILLET HJUL, INTERN STØTTE
- (NL) “V” WIEL DUBBELE LAGER, INTERNE STEUN
- (N) “V”-SPOR HJUL DOBBELTLAGER, INTERN STØTTE
- (S) DUBBELLAGRAT SPÅRHJUL „V”, INTERN STÖD
- (FIN) “V”-URAISEN PYÖRÄN KAKSOISLAAKERI, SISÄINEN TUKI
- (PL) ROLKA O PROFILU „V” Z PODWÓJNYM ŁOŻYSKIEM, PODPARCIE WEWNĘTRZNE
- (SK) DVOJITÉ LOŽISKO S KOLESOM S DRÁŽKOU V TVARE „V”, VNÚTORNÁ PODPORA
- (EE) “V” SOONILISE RATTATA TOPELTLAAGER, SISETUGI
- (LT) DVIGUBAS RATO GUOLIS SU „V” FORMOS GROIOVELIAIS, VIDINĖ ATRAMA
- (LV) “V” VEIDA PROFILA VELTNĀ DIVRINDU GULTNIS, IEKŠĒJAIS BALSTS

- (CZ) KĽADKA SPŔDNĀ POJEZDOVÁ „V” PROFIL S VNITRNĀ PODPĚROU DVOULOŽISKOVÁ
- (RO) RULMENȚI DUBLI CU ROTI DINȚATE ÎN FORMĂ DE „V”, SUPORT INTERN
- (HR) “V” ŽLJEJNI DVOSTRUKI LEŽAJ KOTAČA, UNUTRAŠNJI POTPORANJ
- (RUS) РОЛИК НИЖНИЙ, ПРОФИЛЬ «V», ДВУХПОДШИПНИКОВЫЙ, ВНУТРЕННЯЯ ОПОРА
- (SLO) TEKALNO KOLO Z “V” UTOROM Z DVEMA LEŽAJEMA, NOTRANJI PODPORNIK
- (TR) “V” YIVLİ TEKERLEKLİ ÇİFT YATAK, İÇ DESTEK
- (AR) محمل مزدوج بعجلة منحددة على شكل حرف “V”-دعامة داخلية
- (CHN) V槽轮双轴承, 内部支架
- (MAL) BEARING BERGANDA DENGAN RODA BERALARU “V”, BANTUAN DALAMAN
- (H) V-HORNYS GÖRGÖ KÉT CSAPÁGGYAL, A GÖRGŐ A MEGTÁMASZTÁSBA SÜLLYED
- (IL) גלגל זווית V מיסב כפול, המכסה פנימי
- (BG) РОЛКА С ДВОЕН ЛАГЕР ЗА “V”-ОБРАЗЕН ПРОФИЛ, ВЪТРЕШНА ПОДПОРКА
- (KO) “V”자형 홈이 있는 휠 더블 베어링, 내부 지지대
- (SRB) TOČKIĆ SA „V” ŽLEBOM I DVA LEŽAJA, UNUTRAŠNJI DRŽAČ

Art.	D1	D2	A	B	C	E	J	K	L	M	V	BEARING	capacity / pc	1pc	📦		CODE					
													kg	kg	pcs	kg						
													mm				v					
WSV 820	78	64	20	33	56	17	9x12	124	160	18	92°	single	150	0,86	12	10,32	1700035					
WSV 920	88	74	20	33	61	17	9x12	124	160	18	92°	single	170	1,05	12	12,6	1700036					
WSV 1020	98	84	20	33	66	17	9x12	124	160	18	92°	single	180	1,26	10	12,6	1700037					

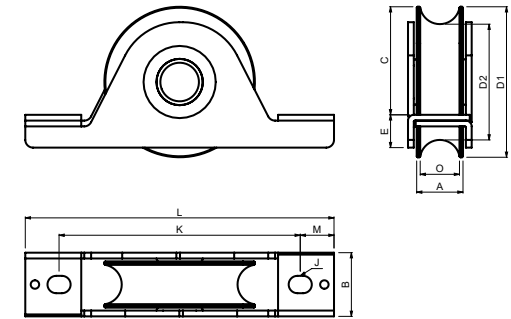
Art.	D1	D2	A	B	C	E	J	K	L	M	V	BEARING	capacity/pc	1pc	📦		CODE					
													kg	kg	pcs	kg						
													mm				v					
WSV 824 B2	78	61	24	33	56	17	9x12	124	160	18	92°	double	260	1,01	12	12,12	1700271					
WSV 924 B2	88	71	24	33	61	17	9x12	124	160	18	92°	double	280	1,24	12	14,88	1700272					
WSV 1024 B2	98	81	24	33	66	17	9x12	124	160	18	92°	double	300	1,49	10	14,9	1700273					
WSV 1228 B2	118	98	28	39	83	18	9x12	150	190	20	92°	double	360	2,44	6	14,64	1700274					
WSV 1630 B2	158	138	30	44	116	20	11x16	210	250	20	92°	double	480	5,11	2	10,22	1700275					



- (GB) „O“ GROOVED WHEEL SINGLE BEARING, INTERNAL SUPPORT
- (D) LAUFROLLE MIT „O“ PROFIL MIT STÜTZE UND LAGER
- (F) ROUE À GORGE EN « O » ET UN ROULEMENT, SUPPORT INTERNE
- (E) RODAMIENTO EXCLUSIVO CON RUEDA ROSCADA EN "O", SOPORTE INTERNO
- (P) ROLAMENTO ÚNICO DE ROLDANA SULCADA EM "O", SUPORTE INTERNO
- (I) RUOTA MONOCUSCINETTO CON SCANALATURA A "O", SOSTEGNO INTERNO
- (DK) "O" HJUL MED RILLER ENKELT LEJE, INDVENDIGT BESLAG
- (NL) "O" WIEL ENKELE LAGER, INTERNE STEUN
- (N) "O"-RILLEDE HJUL MED ENKELTLAGER, INNVENDIG STØTTE
- (S) ENKELLAGRAT SPÄRHJUL MED "O" SPÄR, INTERN STÖD
- (FIN) "O"-URAINEN PYÖRÄ YKSITTÄISELLÄ LAAKERILLA, SISÄINEN TUKI
- (PL) ROLKA O PROFILU „O“ Z POJĘDYNYM ŁOŻYSKIEM, PODPARCIE WEWNĘTRZNE
- (SK) KLADKA SPODNÁ POJEZDOVÁ „O“ PROFIL S VNÚTORNOU PODPEROU, JEDNOLOŽISKOVÁ
- (EE) "O" SOONILISE RATTÄ ÜKSIKLAAGER, SISETUGI
- (LT) VIENGUBAS RATO GUOLIS SU „O“ FORMOS GRIOVELIAIS, VIDINĖ ATRAMA
- (LV) "O" VEIDA PROFILA VELTNĀ VIENRINDAS GULTNIS, IEKŠĒJAIS BALSTS

- (CZ) KLADKA SPODNÍ POJEZDOVÁ „O“ PROFIL S VNITŘNÍ PODPĚROU, JEDNOLOŽISKOVÁ
- (RO) ROATĂ FORMĂ „O“ CU UN SINGUR LAGĂR, SUPORT INTERN
- (HR) KOTAČ S „O“ UTOROM I JEDNIM LEŽAJEM, UNUTARANJI DRŽAČ
- (RUS) РОЛИК НИЖНИЙ, ПРОФИЛЬ «О», С ВНУТРЕННИМ КРОНШТЕЙНОМ, ОДНОПОДШИПНИКОВЫЙ
- (SLO) TEKALNO KOLO Z "O" UTOROM Z ENIM LEŽAJEM, NOTRANJI PODPORNIK
- (TR) "O" ÖLÜKLU TEKERLEK, TEK RULMANLI, DAHİLİ DESTEK
- (AR) محمل فردي العجلة المنحنية "O" دعامة داخلية
- (CHN) "O" 型槽轮单轴承, 内支架
- (MAL) BEARING TUNGGAL RODA BERALUR "O", SOKONGAN DALAMAN
- (H) O-HORNÝOS GÖRGŐ KÉT CSAPÁGGYAL, A GÖRGŐ A MEGTÁMASZTÁSBA SÜLLYED
- (IL) בית פחות, מיסב בודד O יונגל מניה פנימית
- (BG) РОЛКА С ЕДИНИЧЕН ЛАГЕР ЗА "O"-ОБРАЗЕН ПРОФИЛ, ВЪТРЕШНА ПОДПОРА
- (KO) "O"자형 홈이 있는 휠 상글 베어링, 내부 지지대
- (SRB) TOČIČIĆ SA „O“ ŽLEBOM I JEDNIM LEŽAJEM, UNUTRAŠNJI DRŽAČ

Art.	D1	D2	A	B	C	E	J	K	L	M	O	BEARING	capacity / pc	1pc	📦		CODE
	mm														kg	kg	
WSO 824	78	60	24	33	56	17	9x12	124	160	18	21	single	150	0,83	12	9,96	1700039
WSO 924	88	70	24	33	61	17	9x12	124	160	18	21	single	170	1,04	12	12,48	1700040
WSO 1024	98	80	24	33	66	17	9x12	124	160	18	21	single	180	1,28	10	12,8	1700041

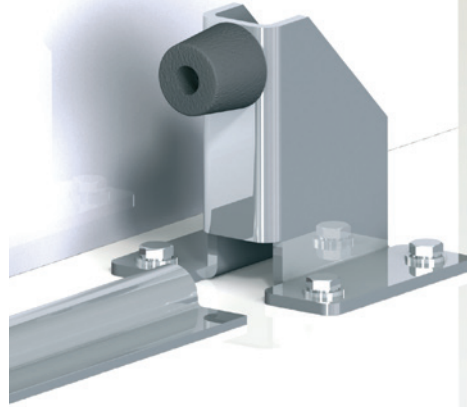


- (GB) „O“ GROOVED WHEEL DOUBLE BEARING, INTERNAL SUPPORT
- (D) „O“-NUT-RAD, DOPPELLAGER, INTERNE STÜTZE
- (F) ROUE RAINURÉE EN „O“ DOUBLE ROULEMENT, SUPPORT INTERNE
- (E) RODAMIENTO DOBLE DE RUEDA RANURADA "O", SOPORTE INTERNO
- (P) ROLAMENTO DUPLO DE RODA RANHURADA „O“, SUPORTE INTERNO
- (I) RUOTA A DOPPIO CUSCINETTO CON SCANALATURA A „O“, SOSTEGNO INTERNO
- (DK) DOBBELT LEJE MED "O"-RILLET HJUL, INTERN STØTTE
- (NL) "O" WIEL DOBBELE LAGER, INTERNE STEUN
- (N) "O"-SPOR HJUL DOBBELTLAGER, INTERN STØTTE
- (S) DOBBELLAGRAT SPÄRHJUL „O“, INTERN STÖD
- (FIN) "V"-URAINEN PYÖRÄN KAKSOISLAAKERI, SISÄINEN TUKI
- (PL) ROLKA O PROFILU „O“ Z PODWÓJNYM ŁOŻYSKIEM, PODPARCIE WEWNĘTRZNE
- (SK) DVOJITÉ LOŽISKO S KOLESOM S DRÁŽKOU V TVARE „O“, VNÚTORNÁ PODPORA
- (EE) "O" SOONILISE RATTÄ TOPELTLAAGER, SISETUGI
- (LT) DVIGUBAS RATO GUOLIS SU „O“ FORMOS GRIOVELIAIS, VIDINĖ ATRAMA
- (LV) "O" VEIDA PROFILA VELTNĀ DIVRINDU GULTNIS, IEKŠĒJAIS BALSTS

- (CZ) KLADKA SPODNÍ POJEZDOVÁ „O“ PROFIL S VNITŘNÍ PODPĚROU DVOULOŽISKOVÁ
- (RO) RULMENȚI DUBLI CU ROȚI DINȚATE ÎN FORMĂ DE „O“, SUPORT INTERN
- (HR) "O" ŽLJEJNI DVOSTRUKI LEŽAJ KOTAČA, UNUTRAŠNJI POTPORANJ
- (RUS) РОЛИК НИЖНИЙ, ПРОФИЛЬ «О», ДВУХПОДШИПНИКОВЫЙ, ВНУТРЕННЯЯ ОПОРА
- (SLO) TEKALNO KOLO Z "O" UTOROM Z DVEMA LEŽAJEMA, NOTRANJI PODPORNIK
- (TR) "O" YIVLİ TEKERLEKLI ÇİFT YATAK, İÇ DESTEK
- (AR) محمل مزدوج بعجلة منحنية على شكل حرف "O" دعامة داخلية
- (CHN) O槽轮双轴承, 内部支架
- (MAL) BEARING BERGANDA DENGAN RODA BERALUR "O", BANTUAN DALAM
- (H) O-HORNÝOS GÖRGŐ KÉT CSAPÁGGYAL, A GÖRGŐ A MEGTÁMASZTÁSBA SÜLLYED
- (IL) בית פחות, מיסב בודד O יונגל מניה פנימית
- (BG) РОЛКА С ДВОЕН ЛАГЕР ЗА "O"-ОБРАЗЕН ПРОФИЛ, ВЪТРЕШНА ПОДДРЪЖКА
- (KO) "O"자형 홈이 있는 휠 더블 베어링, 내부 지지대
- (SRB) TOČIČIĆ SA „O“ ŽLEBOM I DVA LEŽAJA, UNUTRAŠNJI DRŽAČ

Art.	D1	D2	A	B	C	E	J	K	L	M	O	BEARING	capacity/pc	1pc	📦		CODE
	mm														kg	kg	
WSO 824 B2	78	60	24	33	56	17	9x12	124	160	18	21	double	260	0,92	12	11,04	1700276
WSO 924 B2	88	70	24	33	61	17	9x12	124	160	18	21	double	280	1,13	12	13,56	1700277
WSO 1024 B2	98	80	24	33	66	17	9x12	124	160	18	21	double	300	1,37	10	13,7	1700278
WSO 1228 B2	118	100	28	39	83	18	9x12	150	190	20	21	double	360	2,37	6	14,22	1700279
WSO 1630 B2	158	140	30	44	116	20	11x16	210	250	20	21	double	480	4,95	2	9,9	1700280





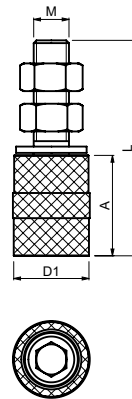
ACCESSORIES

ACCESSORIES FOR SLIDING AND SWING GATES



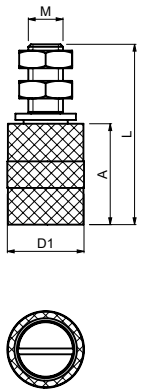
- (GB) NYLON GUIDE ROLLER
- (D) FÜHRUNGSROLLE
- (F) ROULEAU GUIDE EN NYLON
- (E) RODILLO DE GUÍA DE NYLON
- (P) ROLETE GUIA DE NYLON
- (I) RULLO PER GUIDA IN NYLON
- (DK) NYLON STYREVALSE
- (NL) NYLON GELEIDINGSROL
- (N) NYLON STYRERULLE
- (S) GEJDHJUL I NYLON
- (FIN) OHJAUSRULLA NAILONISTA
- (PL) ROLKA PROWADZĄCA NYLONOWA
- (SK) KĽADKA HORNÁ VODIACA
- (EE) NAILONIST JUHTRULLIK
- (LT) NAILONINIS KREIPIAMASIS RITINĖLIS
- (LV) NEILONA VADRULLĪTIS

- (CZ) KĽADKA HORNÍ VODÍČÍ
- (RO) ROLĂ GHIDAJ NYLON
- (HR) ROLICA OD NAJLONA
- (RUS) ВЕРХНИЙ НАПРАВЛЯЮЩИЙ ПОЛИМЕРНЫЙ РОЛИК
- (SLO) NAJLONSKO VODILNO KOLO
- (TR) NAYLON KIZAK SİLİNDİRİ
- (AR) بكرة دلييلة مصنوعة من النيلون الأبيض
- (CHN) 白色尼龙导轮
- (MAL) PENGGULING PANDU NILON
- (H) NEJLON VEZETŐGÖRGŐ
- (IL) גלגל מוביל עינין אוקולין
- (BG) ПОЛИАМИДНА РОЛКА ЗА ВОДАЧ
- (KO) 나일론 가이드 롤러
- (SRB) VALJAK OD NAJLONA



- (GB) NYLON GUIDE ROLLER
- (D) FÜHRUNGSROLLE
- (F) ROULEAU GUIDE EN NYLON
- (E) RODILLO DE GUÍA DE NYLON
- (P) ROLETE GUIA DE NYLON
- (I) RULLO PER GUIDA IN NYLON
- (DK) NYLON STYREVALSE
- (NL) NYLON GELEIDINGSROL
- (N) NYLON STYRERULLE
- (S) GEJDHJUL I NYLON
- (FIN) OHJAUSRULLA NAILONISTA
- (PL) ROLKA PROWADZĄCA NYLONOWA
- (SK) KĽADKA HORNÁ VODIACA
- (EE) NAILONIST JUHTRULLIK
- (LT) NAILONINIS KREIPIAMASIS RITINĖLIS
- (LV) NEILONA VADRULLĪTIS

- (CZ) KĽADKA HORNÍ VODÍČÍ
- (RO) ROLĂ GHIDAJ NYLON
- (HR) ROLICA OD NAJLONA
- (RUS) ВЕРХНИЙ НАПРАВЛЯЮЩИЙ ПОЛИМЕРНЫЙ РОЛИК
- (SLO) NAJLONSKO VODILNO KOLO
- (TR) NAYLON KIZAK SİLİNDİRİ
- (AR) بكرة دلييلة مصنوعة من النيلون الأبيض
- (CHN) 白色尼龙导轮
- (MAL) PENGGULING PANDU NILON
- (H) NEJLON VEZETŐGÖRGŐ
- (IL) גלגל מוביל עינין אוקולין
- (BG) ПОЛИАМИДНА РОЛКА ЗА ВОДАЧ
- (KO) 나일론 가이드 롤러
- (SRB) VALJAK OD NAJLONA



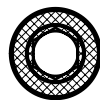
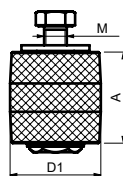
Art.	D1	A	L	M	1pc	Image		CODE
						pcs	kg	
	Ø		mm		kg			
RW 26	26	40	82	M12	0,11	20	2,2	1700042
RW 30	31	40	87	M14	0,16	20	3,2	1700043
RW 40	40	55	108	M16	0,29	10	2,9	1700044
RR 26	26	40	82	M12	0,11	20	2,2	1700200
RR 30	31	40	87	M14	0,16	20	3,2	1700201
RR 40	40	55	108	M16	0,29	10	2,9	1700202

Art.	D1	A	L	M	1pc	Image		CODE
						pcs	kg	
	Ø		mm		kg			
RB 26	26	40	71	M12	0,13	20	2,6	1700046
RB 30	30	40	71	M14	0,16	20	3,2	1700222
RB 32	32	40	71	M14	0,16	20	3,2	1700047
RB 42/16	42	55	91	M16	0,35	10	3,5	1700337
RB 42/20	42	55	96	M20	0,4	10	4	1700048



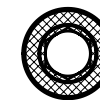
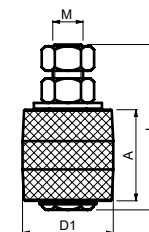
- (GB) NYLON GUIDE ROLLER
- (D) FÜHRUNGSROLLE
- (F) ROULEAU GUIDE EN NYLON
- (E) RODILLO DE GUÍA DE NYLON
- (P) ROLETE GUIA DE NYLON
- (I) RULLO PER GUIDA IN NYLON
- (DK) NYLON STYREVALSE
- (NL) NYLON GELEIDINGSROL
- (N) NYLON STYRERULLE
- (S) GEJDHJUL I NYLON
- (FIN) OHJAUSRULLA NAILONISTA
- (PL) ROLKA PROWADZĄCA NYLONOWA
- (SK) KĽADKA HORNÁ VODIACA
- (EE) NAILONIST JUHTRULLIK
- (LT) NAILONINIS KREIPIAMASIS RITINĖLIS
- (LV) NEILONA VADRULLĪTIS


- (CZ) KĽADKA HORNÍ VODÍČÍ
- (RO) ROLĂ GHIDAJ NYLON
- (HR) ROLICA OD NAJLONA
- (RUS) ВЕРХНИЙ НАПРАВЛЯЮЩИЙ ПОЛИМЕРНЫЙ РОЛИК
- (SLO) NAJLONSKO VODILNO KOLO
- (TR) NAYLON KIZAK SİLİNDİRİ
- (AR) بكرة دليلية مصنوعة من النايلون الأبيض
- (CHN) 白色尼龙导轮
- (MAL) PENGGULING PANDU NILON
- (H) NEJLON VEZETŐGÖRGŐ
- (IL) גלגל מוביל עליון אוקולון
- (BG) ПОЛИАМИДНА РОЛКА ЗА ВОДАЧ
- (KO) 나일론 가이드 롤러
- (SRB) VALJAK OD NAJLONA




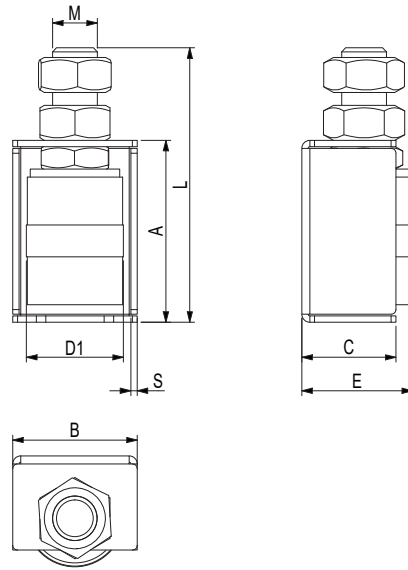
- (GB) NYLON GUIDE ROLLER
- (D) FÜHRUNGSROLLE
- (F) ROULEAU GUIDE EN NYLON
- (E) RODILLO DE GUÍA DE NYLON
- (P) ROLETE GUIA DE NYLON
- (I) RULLO PER GUIDA IN NYLON
- (DK) NYLON STYREVALSE
- (NL) NYLON GELEIDINGSROL
- (N) NYLON STYRERULLE
- (S) GEJDHJUL I NYLON
- (FIN) OHJAUSRULLA NAILONISTA
- (PL) ROLKA PROWADZĄCA NYLONOWA
- (SK) KĽADKA HORNÁ VODIACA
- (EE) NAILONIST JUHTRULLIK
- (LT) NAILONINIS KREIPIAMASIS RITINĖLIS
- (LV) NEILONA VADRULLĪTIS

- (CZ) KĽADKA HORNÍ VODÍČÍ
- (RO) ROLĂ GHIDAJ NYLON
- (HR) ROLICA OD NAJLONA
- (RUS) ВЕРХНИЙ НАПРАВЛЯЮЩИЙ ПОЛИМЕРНЫЙ РОЛИК
- (SLO) NAJLONSKO VODILNO KOLO
- (TR) NAYLON KIZAK SİLİNDİRİ
- (AR) بكرة دليلية مصنوعة من النايلون الأبيض
- (CHN) 白色尼龙导轮
- (MAL) PENGGULING PANDU NILON
- (H) NEJLON VEZETŐGÖRGŐ
- (IL) גלגל מוביל עליון אוקולון
- (BG) ПОЛИАМИДНА РОЛКА ЗА ВОДАЧ
- (KO) 나일론 가이드 롤러
- (SRB) VALJAK OD NAJLONA



Art.	D1	A	M	1pc			CODE
	∅				kg	pcs	
ROB 36	35	38	M10	0,14	20	2,8	1700045
ROB 48	48	48	M12	0,23	10	2,3	1700243
ROB 68	68	68	M12	0,46	4	1,84	1700338

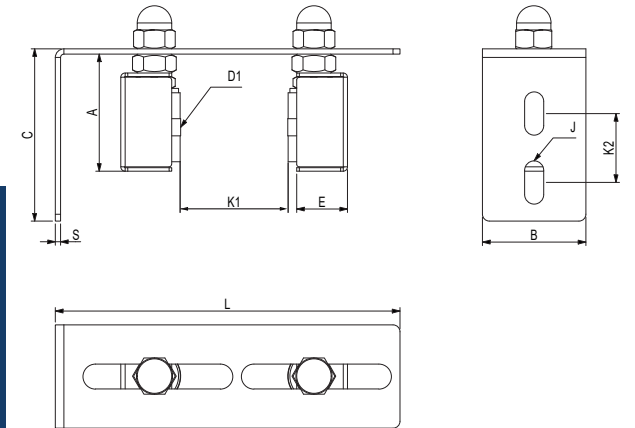
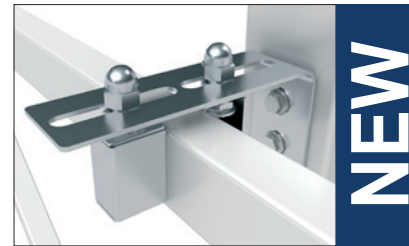
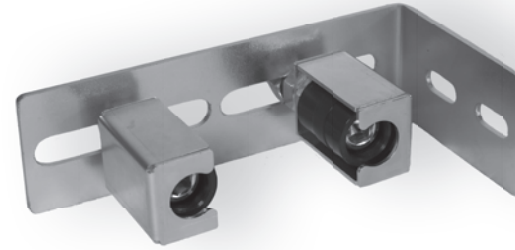
Art.	D1	A	L	M	1pc			CODE
	∅					kg	pcs	
REB 36	35	38	72	M14	0,2	4	1700240	
REB 48	48	48	88	M16	0,34	3,4	1700241	
REB 68	68	68	108	M16	0,56	2,24	1700242	



- (GB) FINGER PROTECTED SINGLE ROLLER FOR CANTILEVER AND SLIDING GATE
- (D) EINZELROLLE MIT FINGERSCHUTZ FÜR CANTILEVER- UND SCHIEBETÖRE
- (F) ROULEMENT SIMPLE AVEC PROTECTION ANTI-PINCEMENT POUR PORTAILS EN PORTE-À-FAUX ET COULISSANTS
- (E) RODILLO INDIVIDUAL CON PROTECCIÓN DE DEDOS PARA VOLADIZO Y CANCELA CORREDERA
- (P) ROLO SIMPLES COM PROTEÇÃO PARA OS DEDOS PARA PORTÕES DE CORRER E CANTILEVER
- (I) RULLOSINGOLOCONPROTEZIONE PER LEDITA PER CANCELLI A SBALZO E SCORREVOLI
- (DK) FINGERBESKYTTET ENKELRULLE TIL UDKRAGNING OG SKYDEPORT
- (NL) ENKELRULLER MET VINGERBESCHERMING VOOR CANTILEVERENSCHUIFDEUR
- (N) ENKELRULLE MED FINGERBESKYTTELSE TIL UTLIGGER OG SKYVEPORT
- (S) FINGERSKYDDAD ENKELRULLE FÖR KONSOL- OCH SKJUTGRIND
- (FIN) SORMISUOJATTUUKSITÄINEN RULLA LUKOKEANNATINTAJAYÖNTÖPORTTIJAARTEN
- (PL) POJEDYNCZA ROLKA Z ZABEZPIECZENIEM PALCÓW DO BRAM WSPORNIKOWYCH I PRZESUWNYCH
- (SK) JEDNODKLADKOVÝ PRVOK S OCHRANOU PRSTOV PRE SAMONOSNÚ A KOLAJNICOVÚ POSUVNÚ BRÁNU
- (EE) SÕRMEKAITSEGA RULLIK TIIB- JA LIUGVÁRAVALE
- (LT) NUOPIRŠTŲ APSAUGOTAS VIENASRITINĖ LIS, SKIRTAS KONSOLINIAMS IR STUMDOMIESIEMS VARTAMS
- (LV) PRETPIRKSTU IESPIĒŠANU AIZSARGĀTS ZOBSTIENĀ UN BĪDĀMOVĀRTURULLĪTIS

- (CZ) KLDKA HORNÍ VODIČÍ S OCHRANÝM KRYTEM PRSTŮ
- (RO) ROLĂ SIMPLĂ CU PROTECȚIE PENTRU PORȚI CULISANTE PE ȘINE ȘI PE ROLE
- (HR) JEDNOSTRUKI VALJAK S SA ZAŠTITOM ZA PRSTE ZA KONZOLNA I KLIZNA VRATA
- (RUS) ОДИНАРНЫЙ РОЛИК С ЗАЩИТОЙ ОТ ПОПАДАНИЯ ПАЛЬЦЕВ ДЛЯ САМОНЕСУЩИХ ОТКАТНЫХ И РАЗДВИЖНЫХ ВОРОТ
- (SLO) ENOJNO KOLESCE Z ZAŠČITO PRSTOV ZA SAMONOSNA IN DRSNA VRATA
- (TR) KONSOL KIRIŞ VE KAYAR KAPI İÇİN PARMAK KORUMALI TEK SILİNDİR
- (AR) أسطوانة أحادية بخاصصة حماية ضد الانحصار للبوابة الكابولية والبوابة الانزلاقية
- (CHN) 用于悬臂梁和滑动门的手指保护单辊
- (MAL) PENGGULING TUNGGALLINDUNG JARI UNTUK PAGAR JULUR DANGELANGSAR
- (H) VÉDŐVEL ELLÁTOTT SZÓLÓ GÖRGŐ ŰSZÓKAPUKHOZ ÉS TOLÓKAPUKHOZ
- (IL) לגל (חולר) יחיד עם הגנה לאצבעות לשער קדנולי ושער נגדר
- (BG) ЕДИНИЧНА РОЛКА СЪС ЗАЩИТА НА ПРЪСТИТЕ ЗА КОНЗОЛНИ И ПЛЪЗГАЩИ СЕ ВРАТИ
- (KO) 켄틸레버 및 슬라이딩 게이트용 손가락 보호 단일 롤러
- (SRB) JEDNOSTRUKI VALJAK SA ZAŠTITOM ZA PRSTE ZA KONZOLNA I KLIZNA VRATA

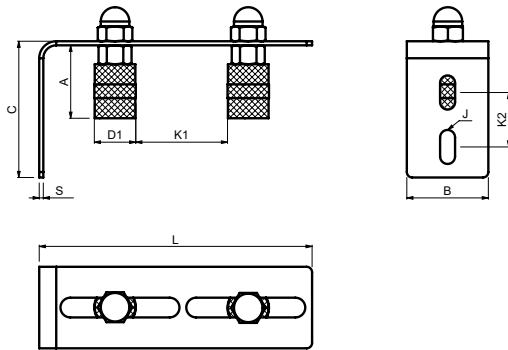
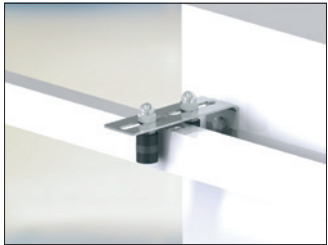
Art.	D1	L	A	B	C	E	M	1pc	kg			CODE
								kg	pcs	kg		
RR 30 - GUARD	31	91	57	39	29	35	14	0,28	10	2,8		1700414
RR 40 - GUARD	40	113	77	49	39	45	16	0,49	6	2,94		1700415



- (GB) FINGER PROTECTED ADJUSTABLE TWIN ROLLER GUIDE PLATE
- (D) VERSTELLBARE DOPPELROLLEN-FÜHRUNGSPLATTE MIT FINGERSCHUTZ
- (F) PLATINE DE GUIDAGE À DOUBLE ROULEMENT RÉGLABLE AVEC PROTECTION ANTI-PINCEMENT
- (E) PLACAGUÍADE DOBLE RODILLO AJUSTABLE CON PROTECCIÓN DE DEDOS
- (P) PLACA DE GUIADERO LODO PLOAJUSTÁVEL COM PROTEÇÃO PARA OS DEDOS
- (I) PIASTRADI GUIDAADOPPIRULLI REGOLABILE CON PROTEZIONE PER LEDITA
- (DK) FINGERBESKYTTET JUSTERBAR STYREPLADE MED DOBBELRULLE
- (NL) VERSTELBARE GELEIDINGSPLAAT VOOR DUBBELE ROLLER MET VINGERBESCHERMING
- (N) JUSTERBAR DOBBEL RULLEPLATE MED FINGERBESKYTTELSE
- (S) FINGERSKYDDAD JUSTERBAR STYRPLATTA FÖR DUBBELRULLE
- (FIN) SORMISUOJATTU SÄÄDETTÄVÄ KAKSIRULLAINEN OHJAINLEIY
- (PL) REGULOWANAPROWADNICADWÓCHROLEK Z ZABEZPIECZENIEM PALCÓW
- (SK) NASTAVITELNÉ DVOJKLADKOVÉ VEDENIE BRÁNY S OCHRANOU PRSTOV
- (EE) REGULĒE RITAV SÕRMEKAITSEGA TOPEL RULLIKU JUHTPLAAT
- (LT) NUOPIRŠTŲ APSAUGOTA REGULIUOJAMA DVIEJŲ RITINĖLIŲ KREIPIANČIOJI PLOKŠTĖ
- (LV) PRETPIRKSTU IESPIĒŠANU AIZSARGĀTA REGULĒJAMA DUBULTO RULLĪŠU VIRZIENA PLĀKSNE

- (CZ) VEDENÍ BRÁNY HORNÍ S JEDNODUCHOU REGULACÍ, DVOUKLADKOVÉ S OCHRANÝM KRYTEM PRSTŮ
- (RO) PLACĂ DE GHIDARE CU DOUĂ ROLE REGLABILE, CU PROTECȚIE
- (HR) PODESIVA VODILICA S DVA VALJKA SA ZAŠTITOM ZA PRSTE
- (RUS) РЕГУЛИРУЕМАЯ ДВУХРОЛИКОВАЯ НАПРАВЛЯЮЩАЯ СКОБА С ЗАЩИТОЙ ОТ ПОПАДАНИЯ ПАЛЬЦЕВ
- (SLO) NASTAVLJIVAVODILNAPLOŠČAZ DVOJNIM KOLESCEM Z ZAŠČITO PRSTOV
- (TR) PARMAK KORUMALI AYARLANABİLİR ÇİFT SILİNDİR KILAVUZ PLAKASI
- (AR) 手指保护可调式双辊导板
- (CHN) 手指保护可调式双辊导板
- (MAL) PLAT PANDU PENGGULING KEMBAR BOLEH LARAS LINDUNG JARI
- (H) VÉDŐVEL ELLÁTOTT ÁLLÍTHATÓ DUPLA GÖRGŐS VEZETŐLEMEZ
- (IL) פלטה עם זוג גלגלים (חולרים) מובילים עם הגנה לאצבעות
- (BG) РЕГУЛИРУЕМА ДВОЙНА РОЛКОВА ВЕДЕНЕ ПЛОЧАСЪС ЗАЩИТА НА ПРЪСТИТЕ
- (KO) 손가락 보호 조절식 이중 롤러 가이드 플레이트
- (SRB) PODESIVA VODILICA S DVA VALJKA SA ZAŠTITOM ZA PRSTE

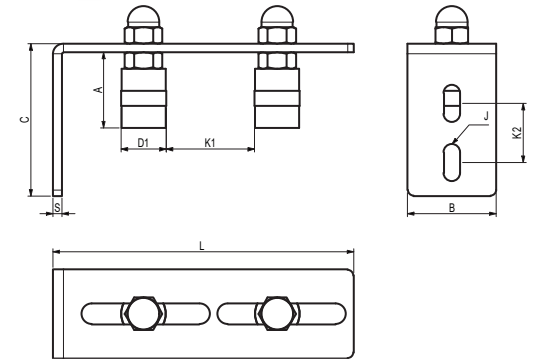
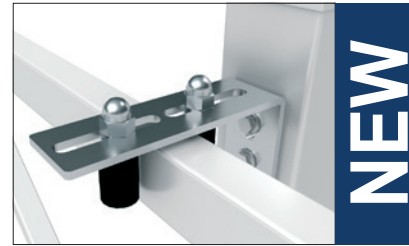
Art.	D1	L	A	B	C	J	K1	K2	E	S	1pc	kg			CODE
											kg	pcs	kg		
FRS 2 - GUARD	31	200	68	60	100	11X25	0 - 128	40	35	3	0,9	6	5,4		1700412
FRM 2 - GUARD	40	260	89	75	130	13X30	0 - 154	60	45	4	1,75	4	7		1700413
FRS 2 - MAX GUARD	31	203	70	60	103	11X25	0 - 128	40	35	6	1,3	6	7,8		1700402
FRM 2 - MAX GUARD	40	264	91	75	134	13X30	0 - 154	60	45	8	2,57	4	10,28		1700403



- (GB) TWO ROLLER GUIDE PLATE
 (D) OBERE FÜHRUNG MIT ZWEI ROLLEN, EINFACH REGULIERBAR
 (F) PLATINE GUIDE DEUX ROULEAUX
 (E) PLATO DE GUÍA DE RODILLO DOBLE
 (P) PLACA GUIA DE DOIS ROLETES
 (I) PIASTRA PER GUIDA A DUE RULLI
 (DK) STYREPLADE MED TO VALSER
 (NL) GELEIDINGSPLAAT DUBBELE ROLLER
 (N) STYREPLATE MED TO RULLER
 (S) GEJDPPLATTA MED TVÅ RULLAR
 (FIN) KAKSI RULLAOHJAINEN LEVYÄ
 (PL) PROWADNICA Z DWIEMA ROLKAMI
 (SK) VEDENIE BRÁNY HORNÉ S JEDNODUCHOU REGULÁCIOU, DVOJKLADKOVÉ
 (EE) KAHE RULLIKU JUHTPLAAT
 (LT) KREIPIAMOJI PLOKŠTĖ SU DVIEM RITINĖLIAIS
 (LV) DIVU VADRULLIŠU VIRZOŠĀ PLĀKSNE

- (CZ) VEDENÍ BRÁNY HORNÍ S JEDNODUCHOU REGULACÍ, DVOUKLADKOVÉ
 (RO) PLACĂ GHIDAJ CU DOUĂ ROLE
 (HR) VODEĆA PLOČA S DVIJE ROLICE
 (RUS) ВЕРХНЯЯ НАПРАВЛЯЮЩАЯ СКОБА С ПРОСТЫМ РЕГУЛИРОВАНИЕМ, ДВА РОЛИКА
 (SLO) VODILNA PLOŠČA Z DVEMA KOLESOMA
 (TR) İKİ SİLİNDİRLİ KIZAK PLAKASI
 (AR) لوحة دليلية للكرة القاتبة
 (CHN) 双轮导轨
 (MAL) PLAT PANDU DUA PENGUNGULING
 (H) KÉT GÖRGŐS VEZETŐLEMEZ
 (IL) עגלה מובילת עגלון שני
 (BG) РОЛКОВ ВОДАЧ С ДВЕ РОЛКИ
 (KO) 이중 롤러 가이드판
 (SRB) VODEĆA PLOČA SA DVA VALJKA

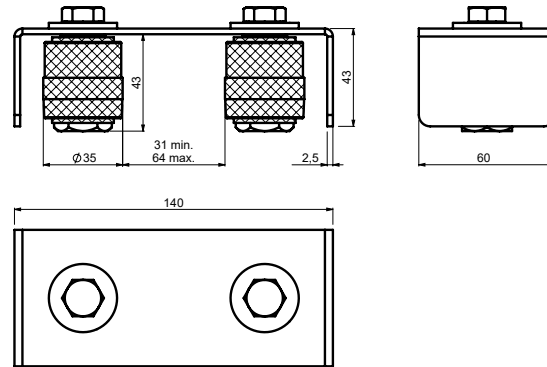
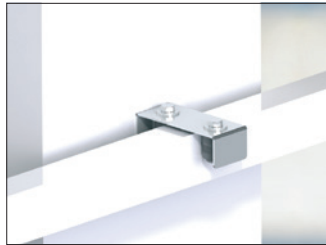
Art.	D1	L	A	B	C	J	K1	K2	S	1pc	kg			CODE
											kg	pcs	kg	
					mm									
FRS 2	31	200	51	60	100	11x25	0 - 134	40	3	0,64	6	3,9	1700183	
FRM 2	40	260	67	75	130	13x30	0 - 160	60	4	1,32	4	6,04	1700184	



- (GB) ADJUSTABLE HEAVY-DUTY TWIN ROLLER GUIDE PLATE FOR CANTILEVER AND SLIDING GATE
 (D) VERSTELLBARE SCHWERLAST-DOPPELROLLEN-FÜHRUNGSPLETTE FÜR CANTILEVER- UND SCHIEBETÖRE
 (F) PLATINE DE GUIDAGE À DOUBLE ROULEMENT RÉGLABLE ET À USAGE INTENSIF POUR PORTAILS EN PORTE-À-FAUX ET COULISSANTS
 (E) PLACA GUÍA DE DOBLE RODILLO AJUSTABLE DE GRAN RESISTENCIA PARA VOLADIZO Y CANCELTA CORREDERA
 (P) PLACA DE GUIA DE ROLO DUPLO REFORÇADA E AJUSTÁVEL PARA PORTÕES DE CORRER E CANTILEVER
 (I) PIASTRA DI GUIDA A DOPPI RULLI REGOLABILE PER IMPIEGHI GRAVOSI PER CANCELLI A SBALZO E SCORREVOLI
 (DK) JUSTERBAR HEAVY-DUTY-STYREPLADE MED DOBBELTRULLE TIL UDKRAGNING OG SKYDEPORT
 (NL) VERSTELBARE ZWARE GELEIDINGSPLAAT VOOR DUBBELE ROLLER VOOR CANTILEVER EN SCHUIFDEUR
 (N) JUSTERBAR, KRAFTIG DOBBEL RULLEPLATE TIL UTLIGGER OG SKYVEPORT
 (S) KRAFTIG, JUSTERBAR STYRPLATTA FÖR DUBBELRULLE, KONSOL- OCH SKJUTGRIND
 (FIN) VANKKATEKOINEN SÄÄDETTÄVÄ KAKSIRULLAINEN OHJAINLEVY ULOKEKANNATINTA JA TYÖNTÖPORTTIA VARTEN
 (PL) REGULOWANA PROWADNICA DWÓCH ROLEK HEAVY-DUTY DO BRAM WSPORNIKOWYCH I PRZESUWNYCH
 (SK) NASTAVITELNÉ VYSOKODOLNÉ DVOJKLADKOVÉ VEDENIE BRÁNY PRE SAMONOSNÚ A KOLAJNICOVÚ POSUVNÚ BRÁNU
 (EE) VASTUPIDAV REGULEERITAV TOPELTRULLIKU JUHTPLAAT TIIB- JA LIUGVÁRAVALE
 (LT) REGULIUOJAMA ITIN PATVARI DVIEJŲ RITINĖLIŲ KREIPIANČIOJI PLOKŠTĖ, SKIRTA KONSOLINIAMS IR STUMDOMIESIEMS VARTAMS
 (LV) REGULĒJAMA LIELJAUDS DUBULTO RULLIŠU ZOBSTIENA UN BĪDĀMO VĀRTU VIRZIENA PLĀKSNE

- (CZ) VEDENÍ BRÁNY HORNÍ S JEDNODUCHOU REGULACÍ, DVOUKLADKOVÉ PRŮMYSLOVÉ POUŽITÍ
 (RO) PLACĂ DE GHIDARE REGLABILĂ CU ROLE DUBLE PENTRU PORTI PE ȘINE ȘI PE ROLE
 (HR) PODESIVA TEŠKA VODILICA S DVA VALJKA ZA KONZOLNA I KLIZNA VRATA
 (RUS) РЕГУЛИРУЕМАЯ ВЫСОКОПРОЧНАЯ НАПРАВЛЯЮЩАЯ СКОБА С ДВУМЯ РОЛИКАМИ ДЛЯ САМОНЕСУЩИХ ОТКАТНЫХ И РАЗДВИЖНЫХ ВОРОТ
 (SLO) NASTAVLJIVAVODILNAPLOŠČAZDVOJNIMKOLESEMZATEŽKASAMONSNANDRSNAVRATA
 (TR) KONSOL KIRIŞ VE KAYAR KAPI İÇİN AYARLANABİLİR AĞIR HİZMET TİPİ ÇİFT SİLİNDİRLİ KILAVUZ PLAKASI
 (AR) لوحة توجيه لأسطوانة مزدوجة للخدمة الشاقة وقابلة للضبط للوابية الكابولية والوابية الانزلاقية
 (CHN) 用于悬臂梁和滑动门的可调式重型双轮导轨
 (MAL) PLAT PANDU PENGUNGULING KEMBAR TUGAS BERAT BOLEH LARAS UNTUK PAGAR JULUR DAN GELANGSAR
 (H) ÁLLÍTHATÓ NAGY TEHERBÍRÁSÚ DUPLA GÖRGŐS VEZETŐLEMEZ ÜSZÖKAPUKHOZ ÉS TOLÓKAPUKHOZ
 (IL) פלטת מתכוננת לעומס כבד עם זוג גלגלים (חורים) מובילים לשער קומחלי ושער נגרר
 (BG) РЕГУЛИРУЕМА ТЕЖКОТОВАРНА ДВОЙНА РОЛКОВА ВОДЕЩА ПЛОЧА ЗА КОНЗОЛНИ И ПЛЪЗГАЩИ СЕ ВРАТИ
 (KO) 컨트롤러 및 슬라이딩 게이트용 조절식 고정도 이중 롤러 가이드 플레이트
 (SRB) PODESIVA TEŠKA VODILICA S DVA VALJKA ZA KONZOLNA I KLIZNA VRATA

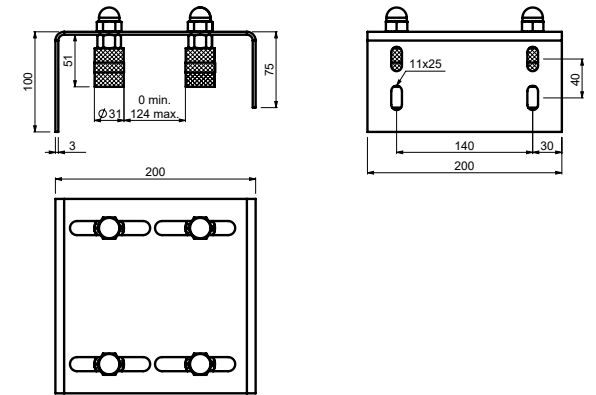
Art.	D1	L	A	B	C	J	K1	K2	S	1pc	kg			CODE
											kg	pcs	kg	
					mm									
FRS 2 - MAX	31	203	53	60	103	11x25	0 - 134	40	6	1,05	6	6,3	1700400	
FRM 2 - MAX	40	264	70	75	134	13x30	0 - 160	60	8	2,19	4	8,76	1700401	



- (GB) TWO ROLLER GUIDE PLATE
 (D) OBERE FÜHRUNG MIT ZWEI ROLLEN, EINFACH REGULIERBAR
 (F) PLATINE GUIDE DEUX ROULEAUX
 (E) PLATO DE GUÍA DE RODILLO DOBLE
 (P) PLACA GUIA DE DOIS ROLETES
 (I) PIASTRA PER GUIDA A DUE RULLI
 (DK) STYREPLADE MED TO VALSER
 (NL) GELEIDINGSPLAAT DUBBELE ROLLER
 (N) STYREPLATE MED TO RULLER
 (S) GEJDPLATTA MED TVÅ RULLAR
 (FIN) KAKSI RULLAONJAIMEN LEVYÄ
 (PL) PROWADNICA Z DWIEMA ROLKAMI
 (SK) VEDENIE BRÁNY HORNÉ S JEDNODUCHOU REGULÁCIU, DVOJKLADKOVÉ
 (EE) KAHE RULLIKU JUHTPLAAT
 (LT) KREIPIAMOJI PLOKŠTĖ SU DVIEM RITINĖLIAIS
 (LV) DIVU VADRULLIŠU VIRZOŠĀ PLĀKSNE

- (CZ) VEDENÍ BRÁNY HORNÍ S JEDNODUCHOU REGULACÍ, DVOJKLADKOVÉ
 (RO) PLACĂ GHIDAJ CU DOUĂ ROLE
 (HR) VODEĆA PLOČA S DVIJE ROLICE
 (RUS) ВЕРХНЯЯ НАПРАВЛЯЮЩАЯ СКОБА С ПРОСТЫМ РЕГУЛИРОВАНИЕМ, ДВА РОЛИКА
 (SLO) VODILNA PLOŠČA Z DVEMA KOLESOMA
 (TR) İKİ SİLİNDİRLİ KIZAK PLAKASI
 (AR) لوحة دليلية للكرة الداعية للضبط
 (CHN) 可调四轮导板
 (MAL) PLAT PANDU DUA PENGGULING
 (H) KÉTGYÖRGÖS VEZETŐLEMEZ
 (IL) עגלה מוביל עליון עשן אוקולון
 (BG) РОЛКОВ ВОДАЧ С ДВЕ РОЛКИ
 (KO) 이중 롤러 가이드판
 (SRB) VODEĆA PLOČA SA DVA VALJKA

Art.	1pc		CODE
	kg	pcs	
SR 2	0,53	10	1700049



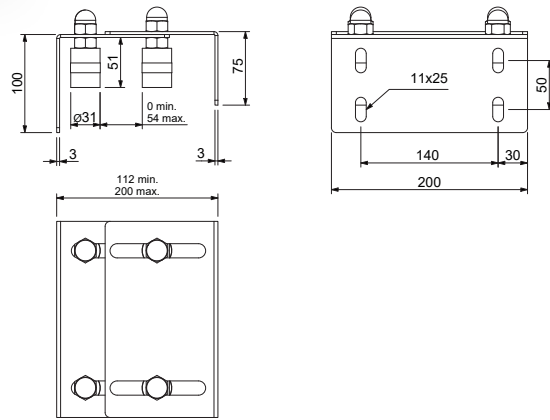
- (GB) ADJUSTABLE FOUR ROLLER GUIDE PLATE
 (D) OBERE FÜHRUNG MIT VIER ROLLEN, DOPPELTE REGULIERUNG
 (F) PLATINE GUIDE QUATRE ROULEAUX RÉGLABLE
 (E) PLATO DE GUÍA AJUSTABLE DE CUATRO RODILLOS
 (P) PLACA GUIA DE QUATRO ROLETES AJUSTÁVEL
 (I) PIASTRA REGOLABILE PER GUIDA A QUATTRO RULLI
 (DK) INDSTILLELIG STYREPLADE MED FIRE VALSER
 (NL) INSTELBARE GELEIDINGSPLAAT VIERVOUDIGE ROLLER
 (N) JUSTERBAR STYREPLATE MED FIRE RULLER
 (S) JUSTERBAR GEJDPLATTA MED FYRA RULLAR
 (FIN) NELJÄ SÄÄDETTÄVÄÄ RULLAONJAIMEN LEVYÄ
 (PL) REGULOWANA PROWADNICA Z CZTEREMA ROLKAMI
 (SK) VEDENIE BRÁNY HORNÉ S DVOJITOU REGULÁCIU, ŠTVORKLADKOVÉ
 (EE) REGULĒERITAV NELJA RULLIKU JUHTPLAAT
 (LT) REGULIUOJAMA KREIPIAMOJI PLOKŠTĖ SU KETURIAIS RITINĖLIAIS
 (LV) REGULĒJAMA ČETRU VADRULLIŠU VIRZOŠĀ PLĀKSNE

- (CZ) VEDENÍ BRÁNY HORNÍ S DVOJITOU REGULACÍ, ČTYŘKLADKOVÉ
 (RO) PLACĂ REGLABILĂ DE GHIDAJ CU PATRU ROLE
 (HR) PRILAGODLJIVA VODEĆA PLOČA S ČETIRI ROLICE
 (RUS) ВЕРХНЯЯ НАПРАВЛЯЮЩАЯ СКОБА С ДВОЙНЫМ РЕГУЛИРОВАНИЕМ, ЧЕТЫРЕ РОЛИКА
 (SLO) NASTAVLJIVA VODILNA PLOŠČA S ŠTIRIMI KOLESI
 (TR) AYARLANABİLİR DÖRT SİLİNDİRLİ KIZAK PLAKASI
 (AR) لوحة دليلية للكرة الداعية للضبط
 (CHN) 可调四轮导板
 (MAL) PLAT PANDU EMPAT PENGGULING BOLEH LARAS
 (H) ÁLLÍTHATÓ NÉGYGYÖRGÖS VEZETŐLEMEZ
 (IL) עגלה מוביל עליון מתכווננת גודל 200
 (BG) РЕГУЛИРУЕМ РОЛКОВ ВОДАЧ С ЧЕТИРИ РОЛКИ
 (KO) 조절식 사중 롤러 가이드판
 (SRB) PODESIVA VODEĆA PLOČA SA ČETIRI VALJKA

Art.	1pc		CODE
	kg	pcs	
GRS 4	2,19	2	1700185



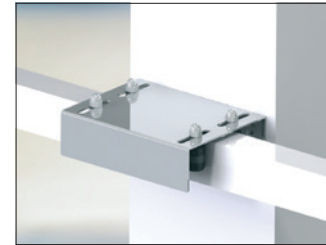
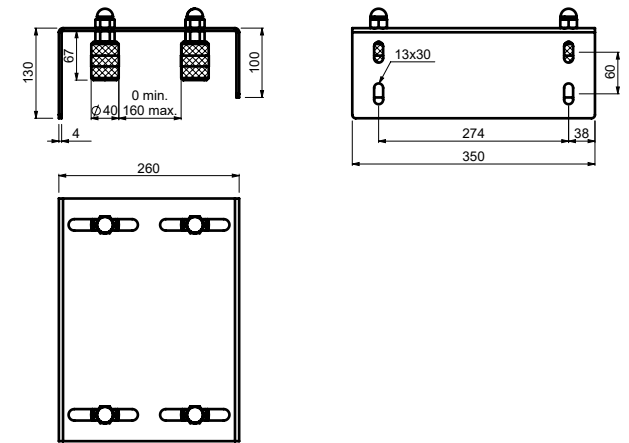
CAIS INNOVATION



- (GB) ADJUSTABLE FOUR ROLLER GUIDE PLATE
- (D) OBERE FÜHRUNG MIT VIER ROLLEN, DOPPELTE REGULIERUNG
- (F) PLATINE GUIDE QUATRE ROULEAUX RÉGLABLE
- (E) PLATO DE GUÍA AJUSTABLE DE CUATRO RODILLOS
- (P) PLACA GUIA DE QUATRO ROLETES AJUSTÁVEL
- (I) PIASTRA REGOLABILE PER GUIDA A QUATTRO RULLI
- (DK) INDSTILLELIG STYREPLADE MED FIRE VALSER
- (NL) INSTELBARE GELEIDINGSPLAAT VIERVOUDIGE ROLLER
- (N) JUSTERBAR STYREPLATE MED FIRE RULLER
- (S) JUSTERBAR GEJDPLATTA MED FYRA RULLAR
- (FIN) NELJÄ SÄÄDETTÄVÄÄ RULLAOHJAIMEN LEVYÄ
- (PL) REGULOWANA PROWADNICA Z CZTEREMA ROLKAMI
- (SK) VEDENIE BRÁNY HORNÉ S DVOJITOU REGULÁCIU, ŠTVORKLADKOVÉ
- (EE) REGULĒERITAV NELJA RULLIKU JUHTPLAAT
- (LT) REGULIUOJAMA KREIPIAMOJI PLOKŠTĖ SU KETURIAIS RITINĖLIAIS
- (LV) REGULĒJAMA ČETRU VADRULLIŠU VIRZOŠĀ PLĀKSNE

- (CZ) VEDENÍ BRÁNY HORNÍ S DVOJITOU REGULACÍ, ČTYŘKLDKOVÉ
- (RO) PLACĂ REGLABILĂ DE GHIDAJ CU PATRU ROLE
- (HR) PRILAGODLJIVA VODEĆA PLOČA S ČETIRI ROLICE
- (RUS) ВЕРХНЯЯ НАПРАВЛЯЮЩАЯ СКОБА С ДВОЙНЫМ РЕГУЛИРОВАНИЕМ, ЧЕТЫРЕ РОЛИКА
- (SLO) NASTAVLJIVA VODILNA PLOŠČA S ŠTIRIMI KOLESI
- (TR) AYARLANABİLİR DÖRT SİLİNDİRLİ KIZAK PLAKASI
- (AR) لوحة دليلية للكرة الرباعية قابلة للضغط
- (CHN) 可调四轮导板
- (MAL) PLAT PANDU EMPAT PENGUNGULING BOLEH LARAS
- (H) ÁLLÍTHATÓ NÉGYGÖRGÖS VEZETŐLEMEZ
- (IL) עגלה מוביל עליון מתכווננת גודל 200
- (BG) РЕГУЛИРУЕМ РОЛКОВ ВОДАЧ С ЧЕТИРИ РОЛКИ
- (KO) 조절식 사중 롤러 가이드판
- (SRB) PODESIVA VODEĆA PLOČA SA ČETIRI VALJKA

Art.	1pc		CODE
	kg	pcs	
GOS 4	2,33	2	1700352



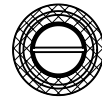
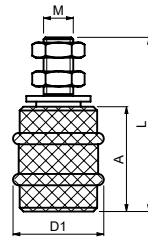
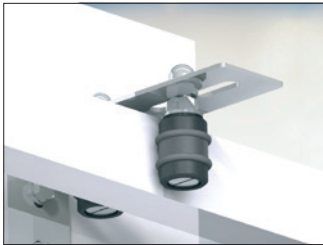
- (GB) ADJUSTABLE FOUR ROLLER GUIDE PLATE
- (D) OBERE FÜHRUNG MIT VIER ROLLEN, DOPPELTE REGULIERUNG
- (F) PLATINE GUIDE QUATRE ROULEAUX RÉGLABLE
- (E) PLATO DE GUÍA AJUSTABLE DE CUATRO RODILLOS
- (P) PLACA GUIA DE QUATRO ROLETES AJUSTÁVEL
- (I) PIASTRA REGOLABILE PER GUIDA A QUATTRO RULLI
- (DK) INDSTILLELIG STYREPLADE MED FIRE VALSER
- (NL) INSTELBARE GELEIDINGSPLAAT VIERVOUDIGE ROLLER
- (N) JUSTERBAR STYREPLATE MED FIRE RULLER
- (S) JUSTERBAR GEJDPLATTA MED FYRA RULLAR
- (FIN) NELJÄ SÄÄDETTÄVÄÄ RULLAOHJAIMEN LEVYÄ
- (PL) REGULOWANA PROWADNICA Z CZTEREMA ROLKAMI
- (SK) VEDENIE BRÁNY HORNÉ S DVOJITOU REGULÁCIU, ŠTVORKLADKOVÉ
- (EE) REGULĒERITAV NELJA RULLIKU JUHTPLAAT
- (LT) REGULIUOJAMA KREIPIAMOJI PLOKŠTĖ SU KETURIAIS RITINĖLIAIS
- (LV) REGULĒJAMA ČETRU VADRULLIŠU VIRZOŠĀ PLĀKSNE

- (CZ) VEDENÍ BRÁNY HORNÍ S DVOJITOU REGULACÍ, ČTYŘKLDKOVÉ
- (RO) PLACĂ REGLABILĂ DE GHIDAJ CU PATRU ROLE
- (HR) PRILAGODLJIVA VODEĆA PLOČA S ČETIRI ROLICE
- (RUS) ВЕРХНЯЯ НАПРАВЛЯЮЩАЯ СКОБА С ДВОЙНЫМ РЕГУЛИРОВАНИЕМ, ЧЕТЫРЕ РОЛИКА
- (SLO) NASTAVLJIVA VODILNA PLOŠČA S ŠTIRIMI KOLESI
- (TR) AYARLANABİLİR DÖRT SİLİNDİRLİ KIZAK PLAKASI
- (AR) لوحة دليلية للكرة الرباعية قابلة للضغط
- (CHN) 可调四轮导板
- (MAL) PLAT PANDU EMPAT PENGUNGULING BOLEH LARAS
- (H) ÁLLÍTHATÓ NÉGYGÖRGÖS VEZETŐLEMEZ
- (IL) עגלה מוביל עליון מתכווננת גודל 350
- (BG) РЕГУЛИРУЕМ РОЛКОВ ВОДАЧ С ЧЕТИРИ РОЛКИ
- (KO) 조절식 사중 롤러 가이드판
- (SRB) PODESIVA VODEĆA PLOČA SA ČETIRI VALJKA

Art.	1pc		CODE
	kg	pcs	
GRM 4	5,8	2	1700186




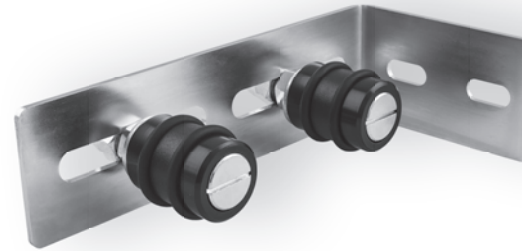
-  CUSTOMISED RUBBER RING PROTECTION
- NBR 70Sh** HIGH QUALITY RUBBER RING
-  CAIS INNOVATION



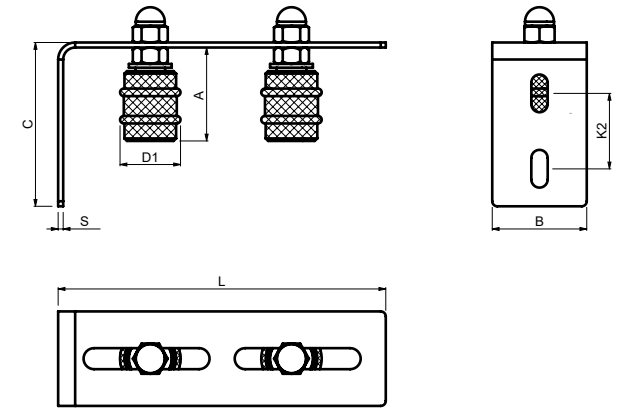
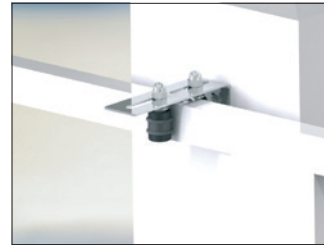
- GB** NYLON GUIDE ROLLER WITH SOFT RUBBER RING
- D** NYLONFÜHRUNGSROLLE MIT WEICHEM GUMMIRING
- F** ROULEAU DE GUIDAGE EN NYLON AVEC ANNEAU EN CAOUTCHOUC SOUPLE
- E** RODILLO GUÍA DE NYLON CON ANILLO DE CAUCHO BLANDO
- P** ROLO DE GUIA DE NYLON COM ANEL DE BORRACHA MACIA
- I** RULLO PER GUIDA IN NYLON CON ANELLO IN GOMMA MORBIDA
- DK** NYLON STYREVALSE MED BLØD GUMMIRING
- NL** NYLON GELEIDERROL MET ZACHTE RUBBEREN RING
- N** NYLON STYRERULLER MED MYK GUMMIRING
- S** GEJDRULLE I NYLON MED MJUK GUMMIRING
- FIN** NYLONOHJAUSRULLA PEHMEÄLLÄ KUMIRENKKAALLA
- PL** ROLKA PROWADZĄCA NYLONOWA Z PIERŚCIENIEM Z MIĘKKIEJ GUMY
- SK** NYLONOVÝ VODIACI VALEČ S MÄKKÝM GUMENÝM KRÚŽKOM
- EE** NAILONIST JUHTRULLIK PEHME KUMMIST RÕNGAGA
- LT** NAILONINIS KREIPIAMASIS RITINĖLIS SU MINKŠTU GUMINIU ŽIEDU
- LV** NEILONA VADRULLĪTIS AR MĪKŠTU GUMIJAS GREZDZENU

- CZ** KLADKA HORNÍ VODIČI S MĚKKÝM KROUŽKEM
- RO** ROLĂ DE GHIDAJ DIN NYLON CU GARNITURĂ DIN CAUCIUC MOALE
- HR** NAJLONSKI VODEČI VALJAK S MEKIM GUMENIM PRSTENOM
- RUS** ПОЛИМЕРНЫЙ НАПРАВЛЯЮЩИЙ РОЛИК С МЯГКИМ РЕЗИНОВЫМ КОЛЬЦОМ
- SLO** NAJLONSKI VODILNI VALJ Z MEHKIM GUMIJASTIM OBRČOČEM
- TR** YUMUŞAK LASTIK HALKALI NYLON KILAVUZ MAKARASI
- AR** اسطوانة توجيه النايلون ذات حلقة مطاطية ناعمة
- CHN** 配有软橡胶圈的尼龙导向辊
- MAL** PENGGELEK PANDU NILON DENGAN GELANG GETAH LEMBUT
- H** NEJLON VEZETŐGÖRGŐ PUHA GUMIGYŰRÜVEL
- IL** גלגל מוביל איקוול עם סביכות גומי
- BG** ПОЛИАМИДНА РОЛКА ЗА ВОДАЧ С МЕК ГУМЕН ПРЪСТЕН
- KO** 연성 고무 링이 있는 나일론 가이드 롤러
- SRB** VALJAK OD NAJLONA SA MEKIM GUMENIM PRSTENOM

Art.	D1	A	L	M	1pc			CODE
						pcs	kg	
	∅		mm		kg			
SFB 42/16	48	55	91	M16	0,35	10	3,5	1700343




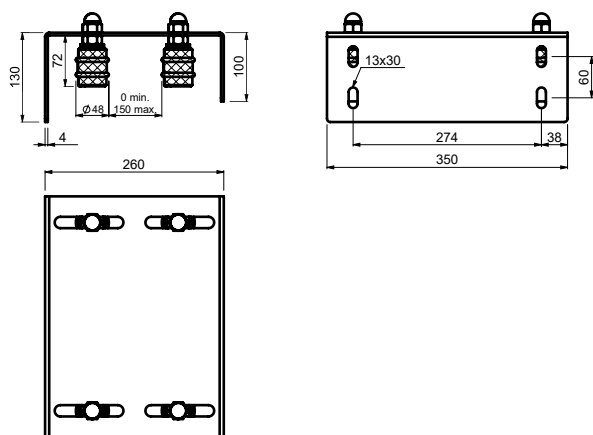
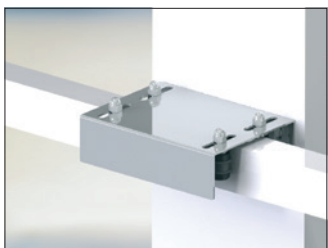
-  CUSTOMISED RUBBER RING PROTECTION
- NBR 70Sh** HIGH QUALITY RUBBER RING
-  CAIS INNOVATION



- GB** TWO ROLLER GUIDE PLATE WITH SOFT RUBBER RING
- D** FÜHRUNGSPLATTE MIT ZWEI ROLLEN UND WEICHEM GUMMIRING
- F** PLAQUE DE GUIDAGE À DEUX ROULEAUX AVEC ANNEAU EN CAOUTCHOUC SOUPLE
- E** PLACA GUÍA DE DOS RODILLOS CON ANILLO DE CAUCHO BLANDO
- P** PLACA GUIA DE DOIS ROLOS COM ANEL DE BORRACHA MACIA
- I** PIASTRA PER GUIDA A DUE RULLI CON ANELLO IN GOMMA MORBIDA
- DK** STYREPLADE MED TO VALSER OG BLØD GUMMIRING
- NL** GELEIDINGSPLAAT TWEEVoudIGE ROLLEN MET ZACHTE RUBBEREN RING
- N** TO-RULLE STYREPLATE MED MYK GUMMIRING
- S** GEJDRPLATTA MED TVÅ RULLAR MED MJUK GUMMIRING
- FIN** KAKSIRULLAINEN OHJAUSLEVY PEHMEÄLLÄ KUMIRENKKAALLA
- PL** PROWADNICA Z DWIEMA ROLKAMI Z PIERŚCIENIEM Z MIĘKKIEJ GUMY
- SK** VODIACA DOSKA S DVOMA VALČEKMI, S MÄKKÝM GUMENÝM KRÚŽKOM
- EE** KAHE RULLIKUGA JUHTPLAAT PEHME KUMMIST RÕNGAGA
- LT** DVIEJŲ RITINĖLIŲ KREIPIAMOJI PLOKŠTĖ SU MINKŠTU GUMINIU ŽIEDU
- LV** DIVU VADRULLĪŠU VIRZOŠĀ PLĀKSNE AR MĪKŠTU GUMIJAS GREZDZENU

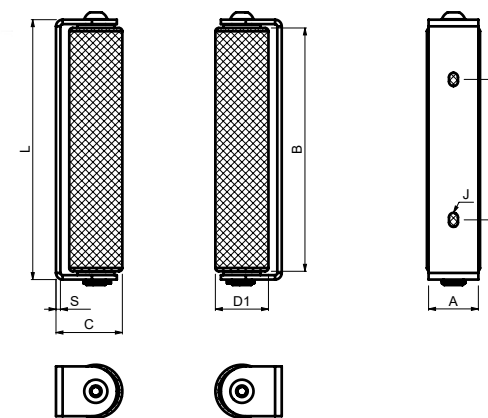
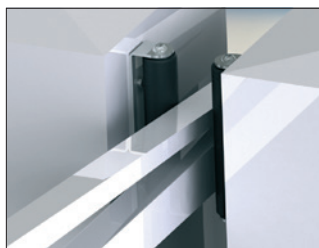
- CZ** VEDENÍ BRÁNY HORNÍ S JEDNODUCHOU REGULACÍ DVOUKLADKOVÉ S MĚKKÝM KROUŽKEM
- RO** PLACĂ DE GHIDAJ CU DOUĂ ROLE CU GARNITURĂ DIN CAUCIUC MOALE
- HR** DVIJE PLOČE VODILICE VALJKA S MEKIM GUMENIM PRSTENOM
- RUS** НАПРАВЛЯЮЩАЯ СКОБА, ДВА РОЛИКА, С МЯГКИМ РЕЗИНОВЫМ КОЛЬЦОМ
- SLO** VODILNA PLOŠČA Z DVEMA KOLESEMA Z MEHKIM GUMIJASTIM OBRČOČEM
- TR** YUMUŞAK LASTIK HALKALI İKİ MAKARALI KILAVUZ PLAKASI
- AR** لوحا توجيه اسطوانتان ذات حلقة مطاطية ناعمة
- CHN** 配有软橡胶圈的双辊导向板
- MAL** DUA PLAT PANDU PENGGELEK DENGAN GELANG GETAH LEMBUT
- H** KÉT GÖRGŐS VEZETŐLEMEZ PUHA GUMIGYŰRÜVEL
- IL** פלטות מוביל עם סביכות גומי 2
- BG** РОЛКОВ ВОДАЧ С ДВЕ РОЛКИ С МЕК ГУМЕН ПРЪСТЕН
- KO** 연성 고무 링이 있는 이중 롤러 가이드판
- SRB** VODEČA PLOČA SA DVA VALJKA SA MEKIM GUMENIM PRSTENOM

Art.	D1	L	A	B	C	J	K1	K2	S	1pc			CODE
											pcs	kg	
					mm					kg			
SFF 2M	48	260	72	75	130	13x30	0 - 150	60	4	1,56	4	6,24	1700344



- (GB) ADJUSTABLE FOUR ROLLER GUIDE PLATE WITH SOFT RUBBER RING
 (D) EINSTELLBARE FÜHRUNGSPLATTE MIT VIER ROLLEN UND WEICHEM GUMMIRING
 (F) PLAQUE DE GUIDAGE À QUATRE ROULEAUX RÉGLABLES AVEC ANNEAU EN CAOUTCHOUC SOUPLE
 (E) PLACA GUIA DE CUATRO RODILLOS AJUSTABLE CON ANILLO DE CAUCHO BLANDO
 (P) PLACA GUIA DE QUATRO ROLOS COM ANEL DE BORRACHA MACIA
 (I) PIASTRA PER GUIDA A QUATTRO RULLI REGOLABILE CON ANELLO IN GOMMA MORBIDA
 (DK) INDSTILLELIG STYREPLADE MED FIRE VALSER OG BLØD GUMMIRING
 (NL) VERSTELBARE GELEIDINGSPLAAT VIERVOUDIGE ROLLEN MET ZACHTE RUBBEREN RING
 (N) JUSTERBAR FIRERULLE STYREPLATE MED MYK GUMMIRING
 (S) JUSTERBAR GEJDLATTA MED FYRA RULLAR MED MJUK GUMMIRING
 (FIN) SÄÄDETTÄVÄ NELJÜRILLAINEN OHJAUSLEVY PEHMEÄLLÄ KUMIRENKKAALLA
 (PL) REGULOWANA PROWADNICA Z CZTEREMA ROLKAMI Z MIĘKKIEJ GUMY
 (SK) NASTAVITELNÁ ŠTVORVALČEKOVÁ VODIACA DOSKA S MÄKKÝM GUMENÝM KRÚŽKOM
 (EE) REGULĒERITAV NĒLĀJA RULLIKUGA JUHTPLAAT PEHME KUMMIST RŌNGAGA
 (LT) REGULIUOJAMA KETURIU RITINĖLIU KREIPIAMOJI PLOKŠTĖ SU MINKŠTU GUMINIU ŽIEDU
 (LV) REGULĒJAMA ČETRU VADRULĪŠU VIRZOŠĀ PLĀKSNE AR MĪKSTU GUMIJAS GREDZENU

- (CZ) VEDENÍ BRÁNY HORNÍ S DVOJITOU REGULACÍ ČTYŘKOLKOVÉ S MĚKKÝM KROUŽKEM
 (RO) PLACĂ REGLABILĂ DE GHIDAJ CU PATRU ROLE CU GARNITURĂ DIN CAUCIUC MOALE
 (HR) ČETIRI PRILAGODLJIVE PLOČE VODILICE VALJKA S MEKIM GUMENIM PRSTENOM
 (RUS) РЕГУЛИРУЕМАЯ НАПРАВЛЯЮЩАЯ СКОБА, ЧЕТЫРЕ РОЛКА, С МЯГКИМ РЕЗИНОВЫМ КОЛЬЦОМ
 (SLO) NASTAVLJIVA VODILNA PLOŠČA S ŠTIRIMI KOLESCI Z MEKIM GUMIJASTIM OBROČEM
 (TR) YUMUŞAK LASTİK HALKALI AYARLANABİLİR DÖRT MAKARALI KILAVUZ PLAKASI
 (AR) أربع لوحات توجيه اسطوانية لولاية قابلة للتعديل ذات حلقة مطاطية ناعمة
 (CHN) 配有软橡胶圈的 可调节四辊导向板
 (MAL) EMPAT PLAT PANDU PENGGELEK BOLEH LARAS DENGAN GELANG GETAH LEMBUT
 (H) ÁLLÍTHATÓ NÉGYGÖRGÖS VEZETŐLEMEZ PUHA GUMIGYŰRŰVEL
 (IL) פלטת מוביל לנגול לשער קשה עם 4 גלגלים מרכיבים מרפוש גומי
 (BG) РЕГУЛИРУЕМ РОЛКОВ ВОДАЧ С ЧЕТИРИ РОЛКИ С МЕК ГУМЕН ПРЪСТЕН
 (KO) 연성 고무 링이 있는 조절식 사중 롤러 가이드판
 (SRB) PODESIVA VODEĆA PLOČA SA ČETIRI VALJKAMA SA MEKIM GUMENIM PRSTENOM

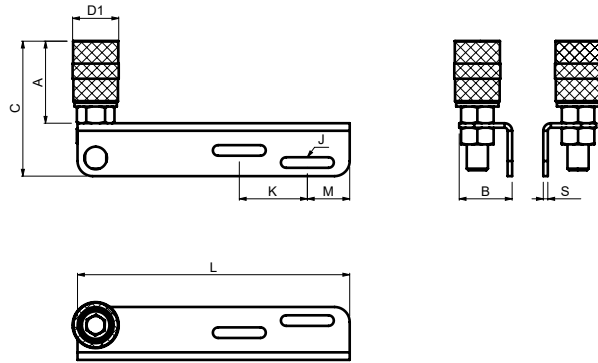
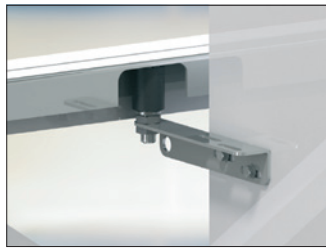
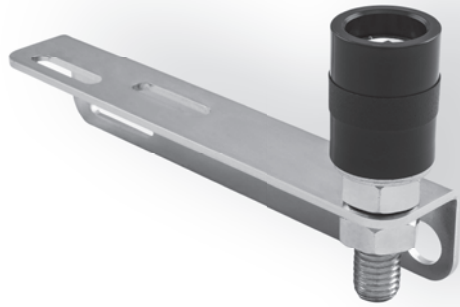


- (GB) ROLLER GUIDE PLATE FOR ARC SHAPE GATE
 (D) FÜHRUNGSPLATTE MIT ROLLE FÜR BOGENFÖRMIGES TOR
 (F) PLAQUE DE GUIDAGE DE ROULEAU POUR PORTE EN FORME D'ARC
 (E) PLACA GUIA DE RODILLO PARA PORTÓN EN FORMA DE ARCO
 (P) PLACA DE GUIA DE ROLOS PARA PORTÃO DE FORMA DE ARCO
 (I) PIASTRA PER GUIDA A RULLO PER CANCELLO AD ARCO
 (DK) VALSESTYREPLADE TIL BUEFORMET PORT
 (NL) GELEIDINGSPLAAT MET ROL VOOR BOOGVORMIGE POORT
 (N) RULLESTYRINGPLATE FOR BUEFORMET PORT
 (S) GEJDLATTA MED RULLAR FÖR BÅGFORMIG GRIND
 (FIN) RULLAHOAJAIMEN LEVY KAAREN MUOTOISEEN PORTTIIN
 (PL) PROWADNICA Z ROLKĄ DO BRAM ŁUKOWYCH
 (SK) VODIACA DOSKA S VALČEKOM PRE BRÁNU TVARU OBLÚKA
 (EE) RULLIKU JUHTPLAAT KAAREKUUJULISE VÄRAVA JAOKS
 (LT) KREIPIAMOJI PLOKŠTĖ SU RITINĖLIU ARKOS FORMOS VARTAMS
 (LV) VADRULĪŠU VIRZOŠĀ PLĀKSNE ARKVEIDA VĀRTIEM

- (CZ) VEDENÍ BRÁNY HORNÍ PRO OBLOUKOVÝ TVAR BRÁNY
 (RO) PLACĂ DE REGLAJ CU ROLE PENTRU PORȚI ARCUITE
 (HR) PLOČA VODILICE VALJKA ZA VRATA U OBLIKU LOKA
 (RUS) НАПРАВЛЯЮЩАЯ СКОБА С РОЛИКОМ ДЛЯ АРОЧНЫХ ВОРОТ
 (SLO) VODILNA PLOŠČA S KOLESCI ZA VRATA V OBLIKU LOKA
 (TR) YAY ŞEKİLİ KAPLI İÇİN MAKARALI KILAVUZ PLAKASI
 (AR) لوحة توجيه اسطوانية لولاية قوسية الشكل
 (CHN) 弧形门辊子导向板
 (MAL) PLAT PANDU PENGGELEK UNTUK GET BENTUK ARKA
 (H) GÖRGÖS VEZETŐLEMEZ ÍVELT KAPUHOZ
 (IL) פלטת מוביל לנגול לשער קשה
 (BG) РОЛКОВ ВОДАЧ ЗА ПОРТА С ФОРМА НА АРКА
 (KO) 아크형 게이트용 롤러 가이드판
 (SRB) VODEĆA PLOČA SA VALJKOM ZA KAPIJU LUČNOG OBLIKA

Art.	1pc		CODE
	kg	pcs	
SFG 4M	5,97	2	1700345

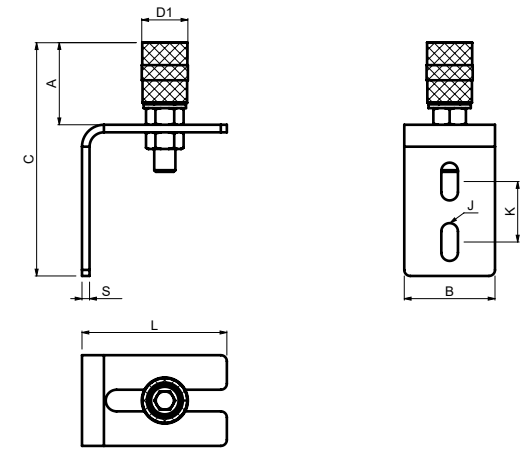
Art.	D1	L	A	B	C	J	K	S	1pc		CODE	
	∅	mm							kg	pc		kg
CRANKSHAFT 220	48	235	45	220	63	9x12	127	4	2,67	1	2,67	1700335
CRANKSHAFT 440	48	455	45	440	63	9x12	174	4	4,95	1	4,95	1700336



- (GB) SINGLE ROLLER GUIDE PLATE
- (D) FÜHRUNGSPLETTE MIT EINZELROLLE
- (F) PLAQUE DE GUIDAGE À UN SEUL ROULEAU
- (E) PLACA GUÍA DE RODILLO INDIVIDUAL
- (P) PLACA DE GUIA DE ROLO SIMPLES
- (I) PIASTRA PER GUIDA A RULLO SINGOLO
- (DK) STYREPLADE MED ENKELT VALSE
- (NL) GELEIDINGSPLAAT MET ENKELVOUDIGE ROL
- (N) ENKEL-RULL STYREPLATE
- (S) GEJDLATTA MED ENKELRULLE
- (FIN) YKSIRULLAINEN OHJAUSLEVY
- (PL) PROWADNICA Z JEDNĄ ROLKĄ
- (SK) JEDNOVALČEKOVÁ VODIACA DOSKA
- (EE) ÜKSIKU RULLIKU JUHTPLAAT
- (LT) KREIPIAMOJI PLOKŠTĖ SU VIENU RITINĖLIU
- (LV) VIENA VADRULLIŠA VIRZOŠĀ PLĀKSNE

- (CZ) VEDENÍ BRÁNY HORNÍ S JEDNODUCHOU REGULACÍ JEDNOKLADKOVÉ
- (RO) PLACĂ DE GHIDAJ CU O SINGURĂ ROLĂ
- (HR) JEDNOSTRUKA PLOČA VODILICE VALJKA
- (RUS) НАПРАВЛЯЮЩАЯ СКОБА, ОДИН РОЛИК
- (SLO) VODILNA PLOŠČA Z ENIM KOLESCEM
- (TR) TEK MAKARALI KILAVUZ PLAKASI
- (AR) لوحة توجيه اسطوانة مفردة
- (CHN) 单辊导向板
- (MAL) PLAT PANDU PENGGELEK TUNGGAL
- (H) EGYGÖRGÖS VEZETŐLEMEZ
- (IL) פלטת מוביל גלגל אחד
- (BG) РОЛКОВ ВОДАЧ С ЕДНА РОЛКА
- (KO) 단일 롤러 가이드판
- (SRB) VODEĆA PLOČA SA JEDNIM VALJKOM

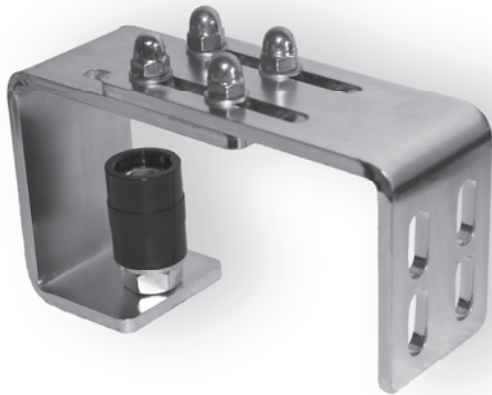
Art.	D1	L	A	B	C	J	K	M	S	1pc	kg		CODE
											pcs	kg	
JRS 30	31	180	53	35	88	9x35	45	28	3	0,41	10	4,1	1700339
JRM 40	40	220	70	40	110	11x35	45	28	4	0,75	6	4,5	1700340



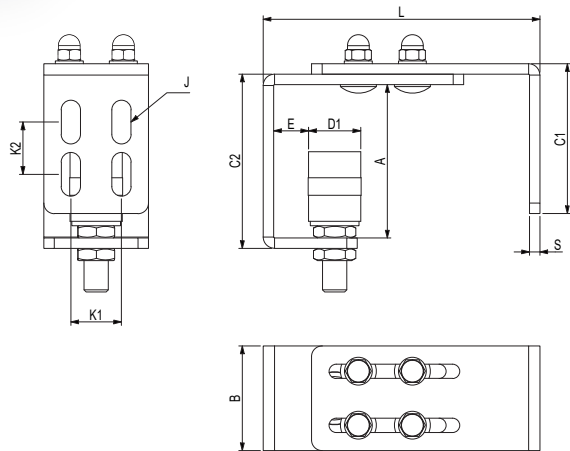
- (GB) SINGLE ROLLER GUIDE PLATE
- (D) FÜHRUNGSPLETTE MIT EINZELROLLE
- (F) PLAQUE DE GUIDAGE À UN SEUL ROULEAU
- (E) PLACA GUÍA DE RODILLO INDIVIDUAL
- (P) PLACA DE GUIA DE ROLO SIMPLES
- (I) PIASTRA PER GUIDA A RULLO SINGOLO
- (DK) STYREPLADE MED ENKELT VALSE
- (NL) GELEIDINGSPLAAT MET ENKELVOUDIGE ROL
- (N) ENKEL-RULL STYREPLATE
- (S) GEJDLATTA MED ENKELRULLE
- (FIN) YKSIRULLAINEN OHJAUSLEVY
- (PL) PROWADNICA Z JEDNĄ ROLKĄ
- (SK) JEDNOVALČEKOVÁ VODIACA DOSKA
- (EE) ÜKSIKU RULLIKU JUHTPLAAT
- (LT) KREIPIAMOJI PLOKŠTĖ SU VIENU RITINĖLIU
- (LV) VIENA VADRULLIŠA VIRZOŠĀ PLĀKSNE

- (CZ) VEDENÍ BRÁNY HORNÍ S JEDNODUCHOU REGULACÍ JEDNOKLADKOVÉ
- (RO) PLACĂ DE GHIDAJ CU O SINGURĂ ROLĂ
- (HR) JEDNOSTRUKA PLOČA VODILICE VALJKA
- (RUS) НАПРАВЛЯЮЩАЯ СКОБА, ОДИН РОЛИК
- (SLO) VODILNA PLOŠČA Z ENIM KOLESCEM
- (TR) TEK MAKARALI KILAVUZ PLAKASI
- (AR) لوحة توجيه اسطوانة مفردة
- (CHN) 单辊导向板
- (MAL) PLAT PANDU PENGGELEK TUNGGAL
- (H) EGYGÖRGÖS VEZETŐLEMEZ
- (IL) פלטת מוביל גלגל אחד
- (BG) РОЛКОВ ВОДАЧ С ЕДНА РОЛКА
- (KO) 단일 롤러 가이드판
- (SRB) VODEĆA PLOČA SA JEDNIM VALJKOM

Art.	D1	L	A	B	C	J	K	S	1 pc	kg		CODE
										pcs	kg	
PRS 30	31	95	53	60	153	11x25	40	5	0,54	10	5,4	1700341
PRM 40	40	105	70	75	170	13x30	40	5	0,87	6	5,22	1700342



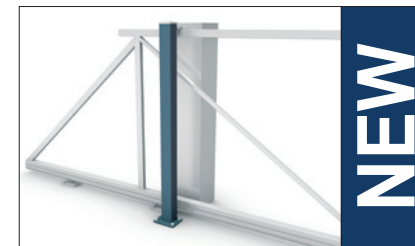
NEW



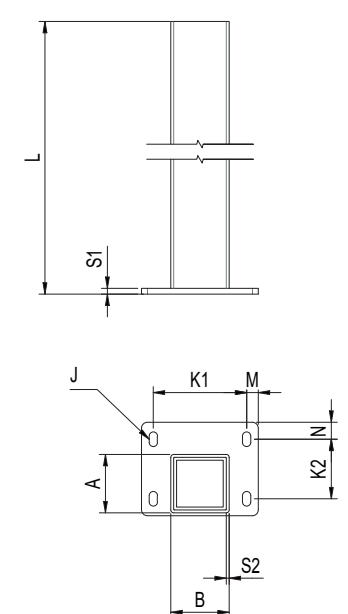
- (GB) OVERLAPPED SINGLE ROLLER GUIDE PLATE FOR CANTILEVER AND SLIDING GATE
- (D) ÜBERDECKENDE EINZELROLLENFÜHRUNGSPLATTE FÜR CANTILEVER-UND SCHIEBETÖRE
- (F) PLATINE DE GUIDAGE PAR LE HAUT À UN ROULEMENT POUR PORTAILS EN PORTE-À-FAUX ET COULISSANTS
- (E) PLACA GÍDADEROLLO INDIVIDUAL SOLAPADA PARAVOLADIZO Y CANCELAS CORREDERA
- (P) PLACADEGUIADEROLOSIMPLESSOBREPOSTAPARAPORTÓESDECORRERECANTILEVER
- (I) PIASTRADIGUIDARULLOSINGOLOSOVRAPPOTAPERCANCELLIASBALZOESCORREVEOLI
- (DK) OVERLAPPENDESTYREPLADEMEDENKELTRULLETLILUDKRAKNINGOGSKYDEPORT
- (NL) OVERLAPPENDEGELEIDINGSPLAATVOORENKELEROLLERVOORCANTILEVERENSCHUIFDEUR
- (N) OVERLAPPENDE PLATE FOR ENKELRULLE FØRING TIL UTLIGGER OG SKYVEPORT
- (S) ÖVERLAPPANDE STYRPLATTA FÖR ENKELRULLE, KONSOL- OCH SKJUTGRIND
- (FIN) LIMITETTYYSRULLAINENOHJAINLEVYLOKEKANNTAJATYÖNTÖPORTTIAVARTEN
- (PL) NAKLADANAPROWADNICAPQJEDYNCEJ.ROLKIDOBRAWMSPORNIKOWYCHPRZESUWNYCH
- (SK) PRESAHLJÚCE JEDNOKLADKOVÉ VEDENIE BRÁNY PRE SAMONOSNÚ A KOĽAJNICOVÚ POSUVNÚ BRÁNU
- (EE) ÜLEKATTEGA RULLIKUGA JUHTPLAAT TIIB- JA LIUGVÄRAVALE
- (LT) KONSOLINIŲ IR STUMDOMŲ VARTŲ PERSIDENGIANTI WIENO RITINĖLIO KREIPIANČIOJI PLOKŠTĖ
- (LV) PĀRKLĀTA RULLIŠĀ VIRZIENA PLĀKSNE ZOBSTIENIM UN BĪDĀMIEM VĀRTIEM

- (CZ) VEDENÍ BRÁNY HORNÍ S JEDNODUCHOU REGULACÍ, JEDNOKLADKOVÉ
- (RO) PLACĂ DE GHIDARE CU ROLĂ SIMPLĂ SUPRAPUSĂ PENTRU PORȚI PE ȘINE ȘI PE ROLĂ
- (HR) VODILICA S PREKLOPOM S JEDNIM VALJKOM ZA KONSOLNA I KLIZNA VRATA
- (RUS) НАКЛАДНАЯ НАПРАВЛЯЮЩАЯ С КОБАЗОДНИМ РОЛИКОМ ДЛЯ САМОНЕСУЩИХ ОТКАТНЫХ И РАЗДВИЖНЫХ ВОРОТ
- (SLO) PREKRIVNA VODILNA PLOŠČA Z ENOJNIM KOLESCEM ZA SAMONOSNA IN DRŠNA VRATA
- (TR) KONSOL KIBİSİ VE KARKAPLIÇI İNÜSTÜSTE BİR NERTEKSİNDİR KILAVUZ PLAKASI
- (AR) كونسول توجيه العتبة الفولاذية
- (CHN) 用于悬臂梁和滑动门的重叠单轮导板
- (MAL) PLAT PANDUPENGUNGULINGTUNGGALBERTINDIHUNTUKPAGARJULURDANGELANGSAR
- (H) ÁTFEDŐ ÉGY GÖRGŐS Vezetőlemez Úszókápukhöz és tolékápukhöz
- (IL) פלטת כפולה עם גלגל (רולר) מוביל יחיד לשער קונזולי ושער נגרר
- (BG) ПРИПОКРИВАЩА СЕ ЕДИНИЧНА РОЛКОВА ВОДЕЩА ПЛОЧА ЗА КОНЗОЛНА И ПЛЪЗГАЩА СЕ ВРАТА
- (KO) 컨틸레버 및 슬라이딩 게이트용 겹침형 단일 롤러 가이드 플레이트
- (SRB) VODILICA S PREKLOPOM S JEDNIM VALJKOM ZA KONSOLNA I KLIZNA VRATA

Art.	D1	L	A	B	C1	C2	J	K1	K2	E	S	1pc	CODE		
	∅	mm										kg	pc	kg	
OVERDRIVE 30	31	130-195	88	60	86	100	11x25	29	30	20	6	1,34	4	5,36	1700411



NEW



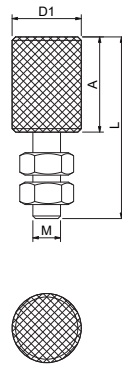
- (GB) STEEL GATE SUPPORT POST
- (D) STAHL-TORPFOSTEN
- (F) POTEAU DE RENFORT POUR PORTAIL ACIER
- (E) POSTE DE ACERO PARA CANCELAS
- (P) PILAR DE SUPORTE DO PORTÃO EM AÇO
- (I) MONTANTE DI SUPPORTO PER CANCELLO IN ACCIAIO
- (DK) STØTTESTOLPE TIL PORT I STÅL
- (NL) STALEN STAANDER
- (N) STØTTESTOLPE FOR PORT I STÅL
- (S) STÖDPOST FÖR STÅLGRIND
- (FIN) TERÄKSINEN PORTIN TUKIPIVYLÄS
- (PL) STALOWY SŁUPEK PODTRZYMUJĄCY BRAMĘ
- (SK) OCELOVÝ NOSNÝ STĽP BRÁNY
- (EE) TERASVÄRAVA TUGIPOST
- (LT) PLIENINIS VARTŲ ATRAMINIS STULPELIS
- (LV) TĒRAUDA VĀRTU ATBALSTA STABS

- (CZ) OCELOVÝ PODPĚRNÝ SLOUPEK BRÁNY
- (RO) STĂLP DE SUSȚINERE PENTRU POARTĂ DIN OȚEL
- (HR) ČELIČNI POTPORNI STUP ZA VRATA
- (RUS) СТАЛЬНАЯ ОПОРНАЯ СТОЙКА ДЛЯ ВОРОТ
- (SLO) JEKLENI NOSILNI STEBER ZA VRATA
- (TR) ÇELİK KAPI DESTEK DİREĞİ
- (AR) عمود تدعيم البوابة الفولاذي
- (CHN) 铁门支撑柱
- (MAL) TIANG SOKONGAN PAGAR KELULI
- (H) ACÉL KAPUTARTÓ OSZLOP
- (IL) עמוד תומך לשער מפלדה
- (BG) СТОМАХЕНА ОПОРНА КОЛОНА ЗА ПОРТА
- (KO) 강철 게이트 지지대
- (SRB) ČELIČNI POTPORNI STUP ZA VRATA

Art.	L	A	B	M	N	K1	K2	S1	S2	1pc	CODE		
											kg	pcs	kg
TOWER 1.1	1100	100	100	20	29,5	160	101	10	3	12	1	12	1710803
TOWER 1.3	1300	100	100	20	29,5	160	101	10	3	13,5	1	13,5	1710804
TOWER 1.5	1500	100	100	20	29,5	160	101	10	3	15	1	15	1710805
TOWER 1.8	1800	100	100	20	29,5	160	101	10	3	17,5	1	17,5	1710807



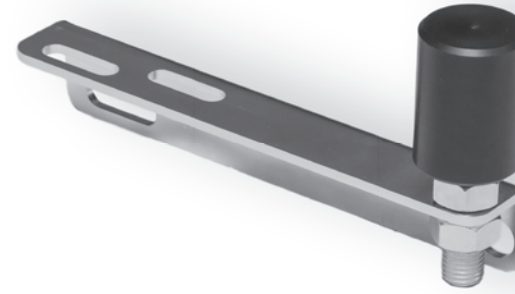
C2
HIGH QUALITY
BEARINGS



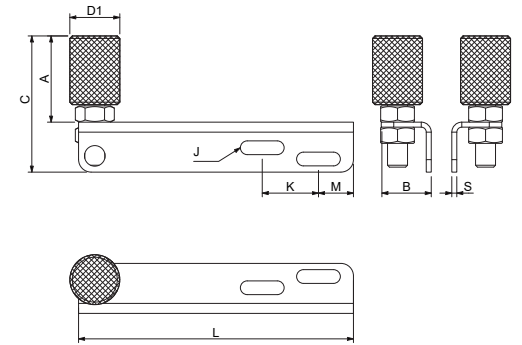
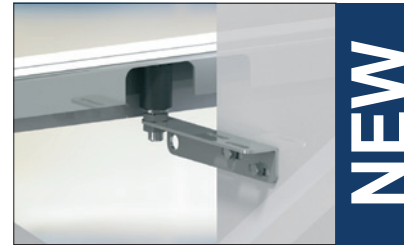
- (GB) NYLON GUIDE ROLLER WITH BEARINGS
- (D) NYLON-FÜHRUNGSWALZE MIT LAGERN
- (F) ROULETTE GUIDE EN NYLON AVEC ROULEMENTS
- (E) RODILLO GUÍA DE NYLON CON COJINETES
- (P) ROLO DE GUIA DE NYLON COM ROLAMENTOS
- (I) RULLO DI GUIDA IN NYLON CON CUSCINETTI
- (DK) NYLONSTYRERULLE MED LEJER
- (NL) KUNSTSTOF GELEIDEROL MET LAGERS
- (N) NYLON STYRERULLE MED LAGRE
- (S) NYLONSTYRERULLE MED LAGER
- (FIN) NAILONOHJAUSRULLA LAAKEREILLA
- (PL) NYLONOWA ROLKA PROWADZĄCA Z ŁOŻYSKAMI
- (SK) NYLONOVÁ VODIACA KĽADKA S LOŽISKAMI
- (EE) NAILONIST JUHTRULLIK LAAGRITEGA
- (LT) NAILONINIS KREIPIAMASIS RITINĖLIS SU GUOLIAIS
- (LV) NEILONA VADRULLIS AR GULTĻNIEM

- (CZ) KĽADKA HORNÍ VODÍČÍ LOŽISKOVÁ
- (RO) ROLĂ DE GHIDAJ CU LAGĂRE DIN NYLON
- (HR) NAJLONSKI VODEĆI KOTAČIĆ S LEŽAJEM
- (RUS) НЕЙЛОНОВЫЙ НАПРАВЛЯЮЩИЙ РОЛИК С ПОДШИПНИКАМИ
- (SLO) NAJLONSKO VALJČNO VODILO Z LEŽAJEM
- (TR) RULMANLI NAYLON KILAVUZ MAKARASI
- (AR) أسطوانة توجيه من النايلون مزودة بمحامل
- (CHN) 带轴承的尼龙导辊
- (MAL) PENGGELEK PANDUAN NILON DENGAN BEARING
- (H) NEJLON VEZETŐGÖRGŐ CSAPÁGYAKKAL
- (IL) מגלל מכוון מניילון עם מסבים
- (BG) НАЙЛОНОВА ВОДЕЩА РОЛКА С ЛАГЕРИ
- (KO) 나일론 가이드 롤러 및 베어링
- (SRB) VODEĆI TOČKIĆ SA LEŽAJEVIMA

Art.	D1	A	L	M	1pc	Image		CODE
						pcs	kg	
	∅		mm		kg			
RCB 30/14	31	40	85	M14	0,16	10	1,6	1700354
RCB 40/16	40	55	105	M16	0,29	10	2,9	1700355



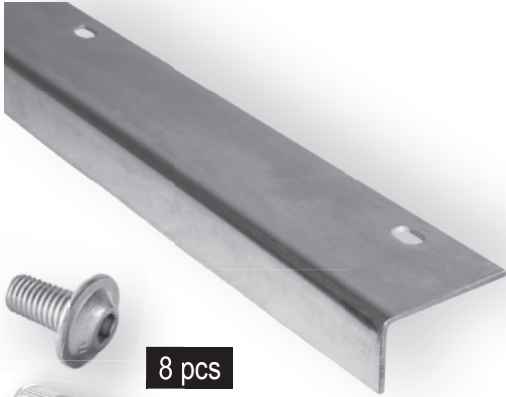
C2
HIGH QUALITY
BEARINGS



- (GB) NYLON GUIDE ROLLER WITH BEARINGS WITH SUPPORT BRACKET
- (D) NYLON-FÜHRUNGSWALZE MIT LAGERN UND STÜTZBÜGEL
- (F) ROULETTE GUIDE EN NYLON AVEC ROULEMENTS ET CONSOLE SUPPORT
- (E) RODILLO GUÍA DE NYLON CON COJINETES Y PATA DE APOYO
- (P) ROLO DE GUIA DE NYLON COM ROLAMENTOS COM BRAÇADEIRA DE SUPORTE
- (I) RULLO DI GUIDA IN NYLON CON CUSCINETTI CON STAFFA DI SUPPORTO
- (DK) NYLONSTYRERULLE MED LEJER MED STØTTEBESLAG
- (NL) KUNSTSTOF GELEIDEROL MET LAGERS MET STEUNBEUGEL
- (N) NYLON STYRERULLE MED LAGRE MED STØTTEBRACKETT
- (S) NYLONSTYRERULLE MED LAGER MED STÖDKONSOL
- (FIN) NAILONOHJAUSRULLA LAAKEREILLA JA TUKIKANNATTIMELLA
- (PL) NYLONOWA ROLKA PROWADZĄCA Z ŁOŻYSKAMI I WSPORNIKIEM MOCUJĄCYM
- (SK) NYLONOVÁ VODIACA KĽADKA S LOŽISKAMI S PODPORNOU KONZOLOU
- (EE) NAILONIST JUHTRULLIK LAAGRITEGA JA TUGIKANDURIGA
- (LT) NAILONINIS KREIPIAMASIS RITINĖLIS SU GUOLIAIS IRATRAMINIU LAIKYTUVU
- (LV) NEILONA VADRULLIS AR GULTĻNIEM UN BALSTA KRONŠTEINU

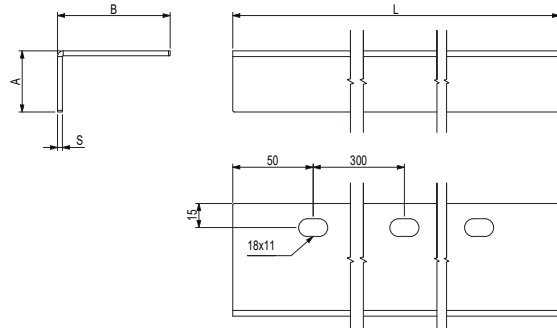
- (CZ) VEDENÍ BRÁNY HORNÍ S JEDNODUCHOU REGULACÍ JEDNOKĽADKOVÉ, LOŽISKOVÉ
- (RO) ROLĂ DE GHIDAJ CU LAGĂRE CU CONSOLĂ DE SUPT
- (HR) NAJLONSKI VODEĆI KOTAČIĆ S LEŽAJEM I POTPORNIM NOSAČEM
- (RUS) НЕЙЛОНОВЫЙ НАПРАВЛЯЮЩИЙ РОЛИК С ПОДШИПНИКАМИ С ОПОРНЫМ
- (SLO) NAJLONSKO VALJČNO VODILO Z LEŽAJEM IN PODPORNNO KONZOLO
- (TR) DESTEK BRACKETİNE SAHİP RULMANLI NAYLON KILAVUZ MAKARASI
- (AR) أسطوانة توجيه من النايلون مزودة بمحامل بها كفة دعم
- (CHN) 带支架轴承的尼龙导辊
- (MAL) PENGGELEK PANDUAN NILON DENGAN BEARING BERSAMA PENDAKAP SOKONGAN
- (H) NEJLON VEZETŐGÖRGŐ CSAPÁGYAKKAL, TÁMASZTÓKONZOLLAL
- (IL) מגלל מכוון מניילון עם מסבים וסוגר תמיכה
- (BG) НАЙЛОНОВА ВОДЕЩА РОЛКА С ЛАГЕРИ С ПОДДЪРЖАЩА СКОБА
- (KO) 받침 브래킷이 있는 나일론 가이드 롤러 및 베어링
- (SRB) VODEĆI TOČKIĆ SA LEŽAJEVIMA I SA NOSAČEM

Art.	D1	L	A	B	C	J	K	M	S	1pc	Image		CODE
											pcs	kg	
	∅									kg			
JBS 30	31	180	53	35	88	9x35	45	28	3	0,41	10	4,1	1700356
JBM 40	40	220	70	40	110	11x35	45	28	4	0,75	6	4,5	1700357



8 pcs

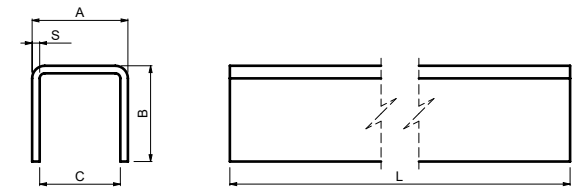
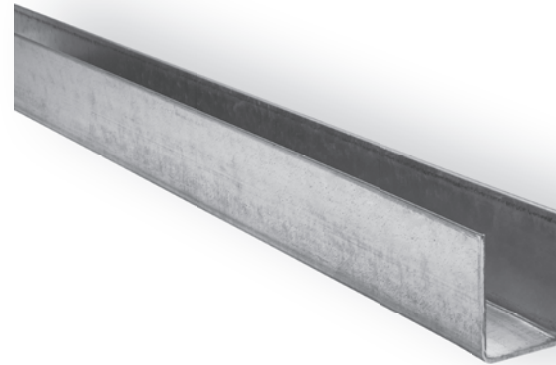
8 pcs



- (GB) L-SHAPED PROFILE GUIDE FOR CANTILEVER AND SLIDING GATE
- (D) L-FÖRMIGE PROFILFÜHRUNG FÜR CANTILEVER- UND SCHIEBETORE
- (F) PROFILÉGUIDAGE EN L POUR PORTAILS EN PORTE-À FAUX ET COULISSANTS
- (E) GUÍA DE PERFIL EN L PARA VOLADIZO Y CANCELAS CORREDERAS
- (P) GUIA DE PERFIL EN L PARA PORTÕES DE CORRER E CANTILEVER
- (I) GUIDA PROFILATA A L PER CANCELLI A SBALZO E SCORREVOLI
- (DK) L-FORMET PROFILSTYRING TIL UDKRAGNING OG SKYDEPORT
- (NL) L-VORMIGE PROFIELGELEIDING VOOR CANTILEVER EN SCHUIFDEUR
- (N) L-FORMET PROFILSTYRING TIL UTLIGGER OG SKYVEPORT
- (S) L-FORMAD PROFIL FÖR KONSOL- OCH SKJUTGRIND
- (FIN) L-NMUOTOINENPROFILOHJAINULOKEKANNATINTAJATYÖNTÖPORTTIIVARTEN
- (PL) PRZEWODNICA PROFILU W SZTALCIE DO BRAM WSPORNIKOWYCH PRZESUWNYCH
- (SK) VODIAC LIŠŤAVTAVEL PRE SAMONOSNÚ A POSUVNÚ BRÁNU
- (EE) L-KUJULINE JUHTPROFIIL TIIB- JA LIUGVÄRAVALE
- (LT) FORMOS PROFILUOTAS KREIPTUVAS STUMDOMIESIAMS VARTAMS
- (LV) L-VEIDA PROFILA VADOTNE ZOBSTIENIM UN BĪDĀMAJEM VĀRTIEM

- (CZ) HORNÍ VODÍČÍ PROFIL "L" PRO SAMONOSNÉ A POSUVNÉ BRÁNYV
- (RO) GHIDAJ PROFILAT ÎN FORMĂ DE L PENTRU PORȚI PE ȘINE ȘI PE ROLE
- (HR) VODILICA L-PROFILA ZA KONZOLNA I KLIZNA VRATA
- (RUS) L-ОБРАЗНАЯ ПРОФИЛЬНАЯ НАПРАВЛЯЮЩАЯ ДЛЯ САМОНЕСУЩИХ ОТКАТНЫХ И РАЗДВИЖНЫХ ВОРОТ
- (SLO) PROFILNO L-VODILO ZA SAMONOSNA IN DRŠNA VRATA
- (TR) KONSOL KIRIŞ VE KAYAR KAPI İÇİN L ŞEKLİNDE PROFİL KILAVUZU
- (AR) دليل مقطعي مصمم على شكل حرف L للبوابة الكابولية والبوابة الانزلاقية
- (CHN) 用于悬臂梁和滑动门的L形型材零件
- (MAL) PANDUAN PROFIL BERBENTUK L UNTUK PAGAR JULUR DAN GELANGSAR
- (H) L ALAKÚ PROFILVEZETŐ ÚSZÓKAPUKHOZ ÉS TOLÓKAPUKHOZ
- (IL) לישור קומודלי ושער נגרר L מוביל עם פרופיל בבורת
- (BG) L-ОБРАЗЕН ПРОФИЛ ЗА ПРОФИЛИ ЗА КОНЗОЛНИ И ПЛЪЗГАЩИ СЕ ВРАТИ
- (KO) 캔틸레버 및 슬라이딩 게이트용 L자형 프로파일 가이드
- (SRB) VODILICA L-PROFILA ZA KONZOLNA I KLIZNA VRATA

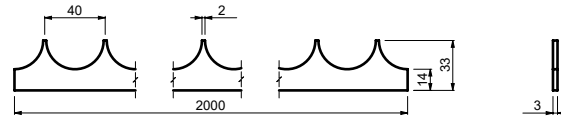
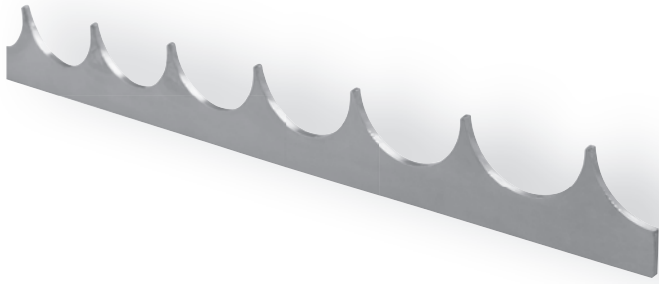
Art.	SURFACE FINISH	L/1pc	A	B	S	ROLLER	ROLLER		CODE
							pcs	kg	
			mm			kg			
EDGECRAFT 30/2	GALVANIZED	2000	38	70	3	RW 30 / RR 30 / RB 30 JRS 30 / JBS 30 / PRS 30	1	5,05	1720141
EDGECRAFT 40/2	GALVANIZED	2000	48	100	3	RW 40 / RR 40 JRM 40 / JBM 40 / PRM 40	1	6,86	1720142



- (GB) U-PROFILE GUIDE FOR SLIDING AND CANTILEVER GATE
- (D) U-PROFIL-FÜHRUNG FÜR SCHIEBE- UND AUSLEGERTOR
- (F) GUIDE DE PROFIL EN "U" POUR PORTAIL COULISSANT ET CANTILEVER
- (E) GUÍA DE PERFIL EN "U" PARA PORTÓN DESLIZANTE Y EN VOLADIZO
- (P) GUIA DE PERFIL "U" PARA PORTÃO DESLIZANTE E DE CANTILEVER
- (I) GUIDA CON PROFILO A "U" PER CANCELLO AUTOPORTANTE
- (DK) U-PROFILVANGE TIL SKYDE OG FRITBÆRENDE PORT
- (NL) U-PROFIELGELEIDER VOOR SCHUIVENDE POORT EEN SCHUIFPOORT
- (N) U-PROFILSTYRING FOR SKYVE- OG RULLEPORT
- (S) U-GEJDPROFIL FÖR SKJUTBAR GRIND OCH FRIBÄRANDE GRIND
- (FIN) U-PROFILIN OHJAIN LIUKU- JA ULOKEPORTTIIN
- (PL) SZYNA O PROFILU "U" DO BRAM PRZESUWNYCH I SAMONOSNYCH
- (SK) VODIACA LIŠŤAVTAVEL PRE POSUVNÚ A SAMONOSNÚ BRÁNU
- (EE) U-PROFILI JUHK LIUG- JA KNSOOLVÄRAVA JAOKS
- (LT) FORMOS PROFILUOTAS KREIPTUVAS STUMDOMIESIAMS IR GEMBINIAMS VARTAMS
- (LV) U-VEIDA PROFILS BĪDĀMAJEM UN KNSOLVEIDA VĀRTIEM

- (CZ) ŠINA "U" PROFIL PRO HORNÍ VEDENÍ BRÁNY
- (RO) PROFIL DE GHIDAJ ÎN FORMĂ DE "U" PENTRU PORȚI CULISANTE ȘI ÎN CONSOLĂ
- (HR) "U" PROFILNA VODILICA ZA KLIZNA I NOSIVA VRATA
- (RUS) НАПРАВЛЯЮЩИЙ РЕЛЬС, ПРОФИЛЬ «U», ДЛЯ РАЗДВИЖНЫХ И САМОНЕСУЩИХ ВОРОТ
- (SLO) "U" VODILO ZA DRŠNA IN SAMONOSNA VRATA
- (TR) SÜRGÜLÜ VE MANİVELA KAPI İÇİN "U" PROFİL YATAĞI
- (AR) موجه لقطاع على شكل "U" للبوابة المنزلقة والقبول
- (CHN) 滑动门和悬梁门U型导向装置
- (MAL) PANDU PROFIL "U" UNTUK GET GELONGSOR DAN JULUR
- (H) U-VEZETŐSÍN TOLÓKAPUKHOZ
- (IL) מוביל פרופיל U לשער חדרה ושער קומודלי
- (BG) "U"-ОБРАЗЕН ПРОФИЛ ЗА ПЛЪЗГАЩИ И КОНЗОЛНИ ВРАТИ
- (KO) 슬라이딩 및 캔틸레버 게이트용 "U"자형 프로파일 가이드
- (SRB) VODICA "U" PROFILA ZA KLIZNU I SAMONOSIVU KAPIJU

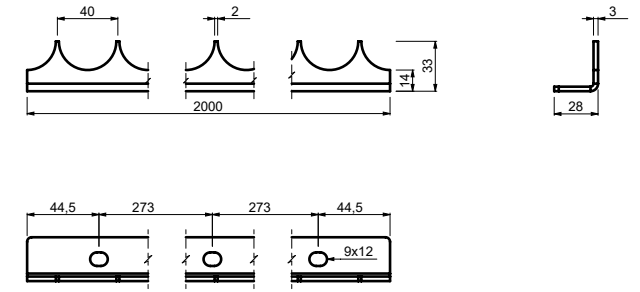
Art.	SURFACE FINISH	L/1pc	A	B	C	S	ROLLER	1pc		ROLLER		CODE
								kg	pcs	kg	kg	
			mm			kg						
DRIVER 38/6	GALVANIZED	6000	38	38	32	3	JRS 30/PRS 30	14,7	56	823,2	1720092	
DRIVER 38/3	GALVANIZED	3000	38	38	32	3	JRS 30/PRS 30	7,35	56	411,6	1720093	
DRIVER 48/6	GALVANIZED	6000	48	48	42	3	JRM 40/PRM 40	18,9	42	793,8	1720089	
DRIVER 48/3	GALVANIZED	3000	48	48	42	3	JRM 40/PRM 40	9,45	42	396,9	1720090	



- (GB) SAFETY BAR, WELDED
- (D) SICHERHEITSSTANGE, GESCHWEISST
- (F) BARRE DE SÉCURITÉ, SOUDÉE
- (E) BARRA DE SEGURIDAD, SOLDADA
- (P) BARRA DE SEGURANÇA, SOLDADA
- (I) BARRA DI SICUREZZA, SALDATA
- (DK) SIKKERHEDSSTANG, SVEJSET
- (NL) VEILIGHEIDSBALK, GELAST
- (N) SIKKERHETSSTANG, SVEISET
- (S) SÄKERHETSSENA, SVETSAD
- (FIN) TURVATANKO, HITSATTU
- (PL) LISTWA ZABEZPIECZAJĄCA, SPAWANA
- (SK) BEZPEČNOSTNÁ TYČ, ZVARANÁ
- (EE) OHUTUSTALA, KEEVITATUD
- (LT) SAUGOS SKERSINIS, SUVIRINTAS
- (LV) DROŠĪBAS STIENIS, METINĀTS

- (CZ) BEZPEČNOSTNÍ LIŠTA, K PŘIVAŘENÍ
- (RO) BARĂ DE SIGURANȚĂ, SUDATĂ
- (HR) SIGURNOSNA ŠIPKA, ZAVARENA
- (RUS) ПРЕДОХРАНИТЕЛЬНЫЙ СТЕРЖЕНЬ, СВАРНОЙ
- (SLO) VARNOSTNI VZVOD, VARJEN
- (TR) EMNİYET ÇUBUĞU, KAYNAKLI
- (AR) قضيب السلامة، ملحوم
- (CHN) 安全杆 (焊接)
- (MAL) BAR KESELAMATAN, BERKIMPAL
- (H) BIZTOSÍTÓRÚD, HEGESZTETT
- (IL) מוט בטיחות, מורחק
- (BG) ПРЕДПАЗЕН ДЪРЖАЧ, ЗАВАРЕН
- (KO) 안전대, 용접식
- (SRB) SIGURNOSNA ŠIPKA, UGRADNJA ZAVARIVANJEM

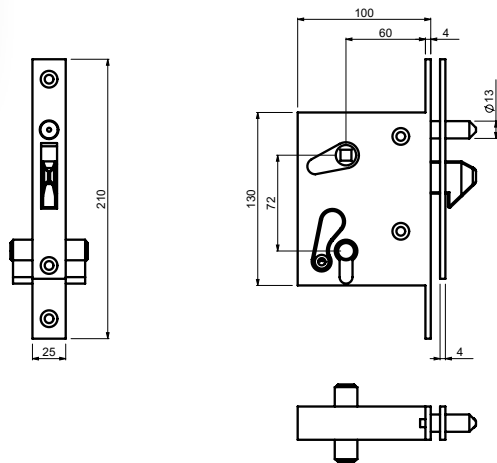
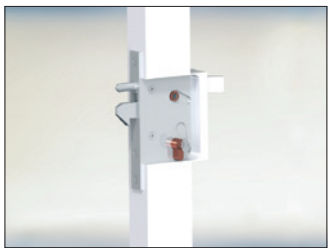
Art.	SURFACE FINISH	1pc		CODE	
		kg	pc		kg
DUNE 2	GALVANIZED	0,84	1	0,84	1700234



- (GB) SAFETY BAR, FIXED
- (D) SICHERHEITSSTANGE, FEST
- (F) BARRE DE SÉCURITÉ, SOUDÉE
- (E) BARRA DE SEGURIDAD, FIJADA
- (P) BARRA DE SEGURANÇA, FIXADA
- (I) BARRA DI SICUREZZA, FISSA
- (DK) SIKKERHEDSSTANG, FASTGJORT
- (NL) VEILIGHEIDSBALK, VASTGESCHROEFD
- (N) SIKKERHETSSTANG, FAST
- (S) SÄKERHETSSENA, FAST
- (FIN) TURVATANKO, PYSYVÄ
- (PL) LISTWA ZABEZPIECZAJĄCA, MOCOWANA
- (SK) BEZPEČNOSTNÁ TYČ, PEVNÁ
- (EE) OHUTUSTALA, FIKSEERITUD
- (LT) SAUGOS SKERSINIS, PRITVIRTINTAS
- (LV) DROŠĪBAS STIENIS, FIKSETS


- (CZ) BEZPEČNOSTNÍ LIŠTA, K PŘÍŠROBOVÁNÍ
- (RO) BARĂ DE SIGURANȚĂ, FIXĂ
- (HR) SIGURNOSNA ŠIPKA, FIKSIRANA
- (RUS) ПРЕДОХРАНИТЕЛЬНЫЙ СТЕРЖЕНЬ, ПРИКРУЧИВАНИЕ ВИНТАМИ
- (SLO) VARNOSTNI VZVOD, FIKSIRAN
- (TR) EMNİYET ÇUBUĞU, SABIT
- (AR) قضيب السلامة، مثبت
- (CHN) 安全杆 (固定式)
- (MAL) BAR KESELAMATAN, BERIKAT
- (H) BIZTOSÍTÓRÚD, RÖGZÍTETT
- (IL) מוט בטיחות, קבוע
- (BG) ПРЕДПАЗЕН ДЪРЖАЧ, ФИКСИРАН
- (KO) 안전대, 고정식
- (SRB) SIGURNOSNA ŠIPKA, UGRADNJA ZAVRTNJIAMA

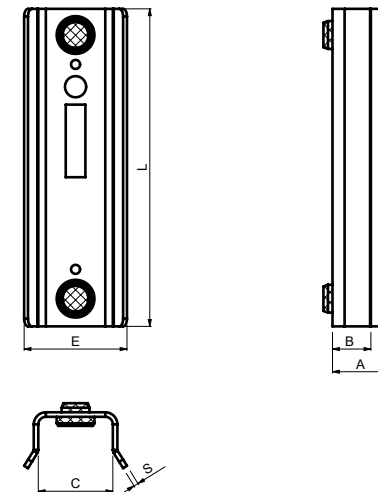
Art.	SURFACE FINISH	1pc		CODE	
		kg	pc		kg
DUNE 2L	GALVANIZED	1,87	1	1,87	1700235



- (GB) HOOK LOCK FOR SLIDING GATES AND DOORS ,WITH KEYS
- (D) HAKENSCHLOSS MIT SCHLÜSSEL FÜR SCHIEBETÜR
- (F) SERRURE À CROCHET POUR PORTAILS ET PORTES COULISSANTES, AVEC CLÉS
- (E) BLOQUEO DE GANCHO PARA PORTONES Y PUERTAS CORREDERAS, CON LLAVES
- (P) TRAVA DE GANCHO PARA PORTÕES E PORTAS DESLIZANTES, COM CHAVES
- (I) SERRATURA A GANCIO PER CANCELLI E PORTE SCORREVOLI, CON CHIAVI
- (DK) HAGELÅS TIL SKYDEPORTE OG DØRE, MED NØGLER
- (NL) HAAKSLOT VOOR SCHUIFFOORTEN EN DEUREN, MET SLEUTELS
- (N) HAKELÅS FOR SKYVEPORTER OG -DØRER, MED NØKLER
- (S) HAKLÅS FÖR SKJUTBARA GRINDAR OCH DÖRRAR, MED NYCKLAR
- (FIN) KOUKKULUKKO LIUKUOPORTEIHIN JA -OVIIN, AVAIMILLA
- (PL) ZAMEK Haczykowy do Bram i Drzwi Przesuwanych z Kluczkami
- (SK) ZÁMOK S KLÚČOM PRE POSUVNÚ BRÁNU A DVERE
- (EE) KONKSULUKK LIUGVÄRÄVÄTE JA -JSTE JAOKS, KOOS VÕTMETEGA
- (LT) KABLIO TIPO UŽRAKTAS STUMDOMIESIEMS VARTAMS IR DURIMS SU RAKTAIS
- (LV) SLĒDZENE AR ATSLĒGĀM BĪDĀMAJĒM VĀRTĪM UN DURVĪM


- (CZ) ZÁMEK S KLÍČEM PRO POSUVNOU BRÁNU A VRATA
- (RO) BROASCĂ CU CÂRLIG PENTRU PORTILE ŞI UŞILE GLISANTE, CU CHEI
- (HR) BRAVA ZA KLIZNA DVORIŠNA I KUĆNA VRATA, S KLJUČEVIMA
- (RUS) ЗАМОК С КЛЮЧОМ ДЛЯ ОТКАТНЫХ ВОРОТ
- (SLO) KLJUČAVNICA ZA DRŠNA VRATA S KLJUČEM
- (TR) SÜRGÜLÜ BAHCÉ KAPILARI VE KAPILAR İÇİN KANCA KİLİDİ, ANAHTARLI
- (AR) قفل الحظاف الخاص بالوابت والابواب المنزلقة، مع المفاتيح
- (CHN) 滑动门钩锁，配钥匙
- (MAL) KUNCI CANGKUK UNTUK PINTU PAGAR DAN PINTU GELONGSOR, DENGAN KEKUNCI
- (H) NYELVES ZÁR TOLÓAJTÓKHOZ ÉS KAPUKHOZ, KULCSOKKAL
- (IL) מנעול לשער או דלת הזזה עם צילינדר
- (BG) БРАВА ЗА ПЛЪЗГАЩИ ПОРТИ И ВРАТИ, С КЛЮЧ
- (KO) 슬라이딩 게이트 및 도어용 후크 잠금장치, 열쇠 포함
- (SRB) BRAVA ZA KLIZNA DVORIŠNA I KUĆNA VRATA, SA KLJUČEVIMA

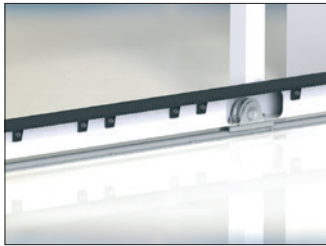
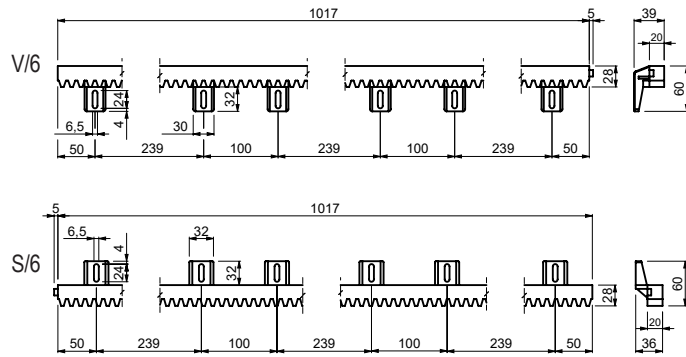
Art.	1pc			CODE
	kg	pcs	kg	
LOCK L	1,26	5	6,3	1700053



- (GB) END STOP FOR HOOK LOCK
- (D) EINLAUF FÜR HAKENSCHLOSS
- (F) BUTÉE POUR SERRURE À CROCHET
- (E) TOPE FINAL PARA BLOQUEO DE GANCHO
- (P) BATENTE PARA TRAVA DE GANCHO
- (I) FERMO DI FINE CORSA PER SERRATURA A GANCIO
- (DK) ENDESTOP TIL HAGELÅS
- (NL) EINDSTOP VOOR HAAKSLOT
- (N) ENDESTOPPER FOR HAKELÅS
- (S) ÄNDSTOPP FÖR HAKLÅS
- (FIN) KOUKKULUKON PÄÄTYLUKKO
- (PL) ODBOJNIK DO ZAMKA Haczykowego
- (SK) DOJAZDOVÁ KAPSA PRE ZÁMOK S KLÚČOM
- (EE) OTSALOPP KONKSULUKU JAOKS
- (LT) GALINIS RIBOKLIS KABLIO TIPO UŽRAKTUI
- (LV) GALA AIZTŪRIS SLĒDZENEI

- (CZ) DOJAZDOVÁ KAPSA PRO ZÁMEK S KLÍČEM
- (RO) OPRITOR CURSĂ PENTRU BROASCĂ CU CÂRLIG
- (HR) GRANIČNIK ZA BRAVU
- (RUS) УЛАВЛИВАТЕЛЬ ДЛЯ ЗАМКА С КЛЮЧОМ
- (SLO) ZAUSTAVLJALNIK ZA KLJUČAVNICO ZA DRŠNA VRATA
- (TR) KANCA KİLİDİ İÇİN UÇ TESPİT PARÇASI
- (AR) ممانع طرفي القفل الحظافي
- (CHN) 钩锁终点挡块
- (MAL) PENYENDAL HUJUNG UNTUK KUNCI CANGKUK
- (H) ÜTKÖZŐ NYELVES ZÁRHOZ
- (IL) מנעול לשער או דלת הזזה עם צילינדר
- (BG) КРАЕН ОГГРАНИЧИТЕЛ ЗА БРАВА
- (KO) 후크 잠금장치용 종단 장치대
- (SRB) GRANIČNIK ZA BRAVU

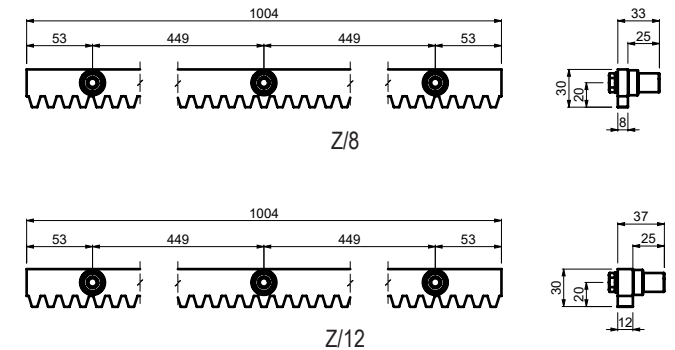
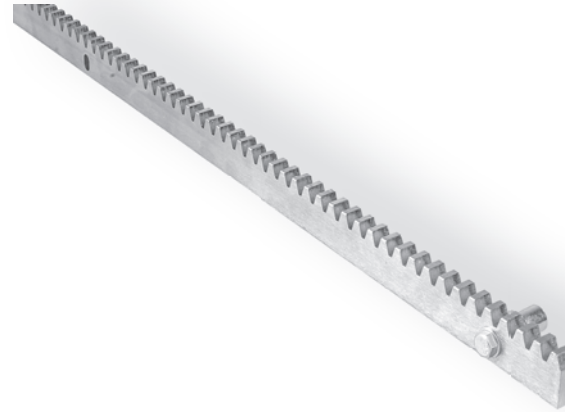
Art.	C	L	A	B	E	S	1pc			CODE	
							kg	pcs	kg		
	mm										
DOCK 42	42	210	34	23	59	3	0,49	15	7,35	1700054	
DOCK 52	52	210	37	26	68	3	0,58	10	5,8	1700055	
DOCK 62	62	210	40	29	79	3	0,66	10	6,6	1700056	



- (GB) MODULE 4 NYLON STEEL CORED RACK WITH FIXING SUPPORT
- (D) MODUL 4, NYLONZAHNSTANGE MIT STAHLKERN UND BEFESTIGUNGSTRÄGER
- (F) MODULE 4 CRÉMAILLÈRE NYLON AVEC CORPS EN ACIER ET SUPPORT DE FIXATION
- (E) MÓDULO DE BASE DE ACERO Y NYLON 4 CON SOPORTE DE FIJACIÓN INFERIOR
- (P) MÓDULO 4 DE PRATELEIRA DE BASE DE AÇO E NYLON COM SUPORTE DE FIXAÇÃO INFERIOR
- (I) RACK CON NUCLEO IN ACCIAIO MODULO 4 CON SUPPORTO DI FISSAGGIO
- (DK) MODUL 4 NYLONPHÆNG MED STÅLKERNE MED FASTGØRELSSESUNDERSTØTNING
- (NL) MODULE 4, KUNSTSTOF TANDLAT MET STAALKERN, MET BEVESTIGING
- (N) MODUL 4 NYLON STÅLKJERNE STATIV MED FESTESTØTTE
- (S) MODUL 4 KUGGSTÅNG I NYLON MED STÅLKÄRNA MED FASTSÄTTNINGSTÖD
- (FIN) MODUULIN 4 TERÄSYTIMINEN NYLONKEHYS KIINNITYSOSILLA
- (PL) MODUL 4 NYLONOWA LISTWA ZĘBATA ZE STALOWYM RDZENIEM ZE WSPORNIKIEM MOCUJĄCYM
- (SK) HREBEŇ NYLONOVÝ S OCELOVÝM JADROM, S FIXÁCIU ZO SPODU, MODUL 4
- (EE) MODULI 4 NYLONIST TERASTUUMAGA RAAM FIKSEERIMISTOEGA
- (LT) 4 MODULIO NYLONINĖ PAKABA SU PLIENINE ŠERDIMI IR TVIRTINIMO ATRAMA
- (LV) MODULIS 4, NEILONA STATNIS AR TĒRAUDA SERDENI UN FIKSĒJOŠĀM BALSTENI

- (CZ) MODUL 4, NYLONOVÁ OZUBENÁ TYČ S OCELOVÝM JÁDREM S UPEVŇOVACÍ PODPĚROU
- (RO) MODUL 4 ȘINĂ DINȚATĂ ARMATĂ CU OTEL, CU SUPORT DE FIXARE INFERIOR
- (HR) MODULARNA 4 NAJLONSKA ZUPČASTA LETVA S ČELIČNOM JEZGROM I NOSAČEM ZA UGRADNJU
- (RUS) МОДУЛЬ 4, НЕЙЛОНОВАЯ ПОЛКА СО СТАЛЬНОМ СЕРДЕЧНИКОМ И КРЕПЕЖНОЙ ОПОРОЙ
- (SLO) PLASTIČNA ZOBATA LETEV Z JEKLENIM JEDROM IN SPODNJIM PODPORKOM ZA FIKSIRANJE, MODUL 4
- (TR) MODUL 4 NYLON ÇELİK ÖZLÜ İZGARA - SABİTLEMESTEĞİ İLE
- (AR) الوحدة 4 النوردة برف قطني فولاذي مع دعامة تثبيت
- (CHN) 带固定板的模块 4 尼龙涂层钢齿条
- (MAL) RAK TERETAAS KELULI NILON 4 MODUL DENGAN SOKONGAN PENETAPAN
- (H) MODUL 4 NEJLON ACÉL MAGOS RACK RÖZÍTŐ TÁMASSZAL
- (IL) מודול 4, פלסטיק עם מרכז
- (BG) МОДУЛ 4, ПОЛИАМИДНА НАЗЪБЕНА ОПОРА СЪС СТОМАНЕНО ЯДРО И ПОДПОРИ ЗА ФИКСИРАНЕ
- (KO) 고정 지지대가 있는 모듈 4 나일론 강철심 락
- (SRB) MODULARNA 4 NAJLONSKA ZUPČASTA LETVA SA ČELIČNIM JEZGROM I NOSAČEM ZA UGRADNJU

Art.	1pc		CODE
	kg	pcs	
V/6	1,32	10	1700057
S/6	1,22	10	1700181

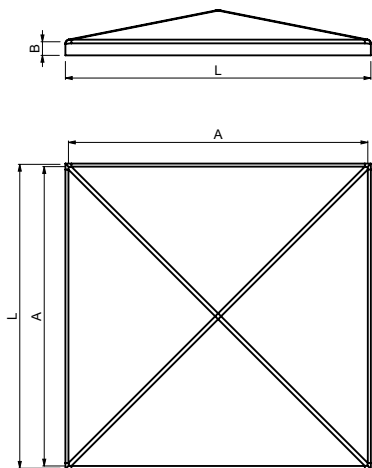
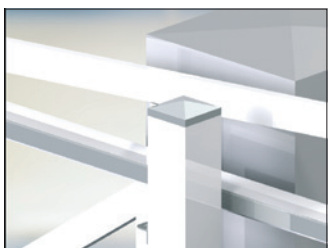
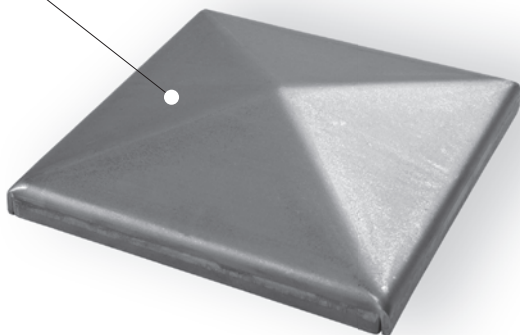


- (GB) MODULE 4 STEEL RACK WITH FIXING STAVES
- (D) EISENZAHNSTANGE MIT SCHRAUBEN, MODUL 4
- (F) MODULE 4 CRÉMAILLÈRES EN ACIER AVEC BOULONS DE FIXATION
- (E) MÓDULO DE BASE DE ACERO 4 CON PANELES DE FIJACIÓN
- (P) MÓDULO 4 - RACK DE AÇO COM SUPORTES DE FIXAÇÃO
- (I) MODULO 4 CREMAGLIERA IN ACCIAIO CON DOGHE DI FISSAGGIO
- (DK) MODUL 4 STÅLOPHÆNG MED FASTGØRELSSESSTAVE
- (NL) MODULE 4 STALEN TANDLAT MET BEVESTIGINGSSTAVEN
- (N) MODUL 4 TANNSTANG I STÅL MED FESTEBOLTER
- (S) MODUL 4 STÅLKUGGSTÅNG MED FÅSTSKRUVAR
- (FIN) MODUULIN 4 TERÄSKEHYS KIINNITYSOSILLA
- (PL) MODUL 4 STALOWA LISTWA ZĘBATA ZE ŚRUBAMI MOCUJĄCYMI
- (SK) HREBEŇ KOVOVÝ S FIXAČNÝMI SKRUTKAMI, MODUL 4
- (EE) MODULI 4 TERASTUUMAGA RAAM FIKSEERIMISLAUDADEGA
- (LT) 4 MODULIO PLIENINĖ PAKABA SU TVIRTINIMO SKERSINIAIS
- (LV) MODULIS 4, TĒRAUDA STATNIS AR FIKSĒJOŠĀM SKRŪVĒM

- (CZ) HŘEBEN KOVOVÝ S FIXAČNÍMI ŠROUBY, MODUL 4
- (RO) MODUL 4 ȘINĂ DINȚATĂ CU ȘURUBURI DE FIXARE
- (HR) ČELIČNA ZUPČASTA GREDA SA ZAVRTNJIMA, MODUL 4
- (RUS) ЗУБЧАТАЯ РЕЙКА МЕТАЛЛИЧЕСКАЯ С КРЕПЕЖНЫМИ ВИНТАМИ, МОДУЛЬ 4
- (SLO) JEKLENA ZOBATA LETEV, MODUL 4, S PRITRDILNIMI VEZNIKI
- (TR) SABİTLEMESTEĞİ İLE MODUL 4 ÇELİK İZGARA
- (AR) الوحدة 4 النوردة برف فولاذي مع أطراف تثبيت
- (CHN) 模块4钢齿条，配固定杆
- (MAL) RAK KELULI 4 MODUL DENGAN PALANG PENETAP
- (H) MODUL 4, ACÉL FOGASLÉC RÖGZÍTŐCSAVAROKKAL
- (IL) מודול 4, פלדה עם מנעם 12
- (BG) МОДУЛ 4, СТОМАНЕНА НАЗЪБЕНА ОПОРА С ФИКСИРАЩИ БОЛТОВЕ
- (KO) 고정 통널이 있는 모듈 4 강철 락
- (SRB) MODULARNA 4 ČELIČNA ZUPČASTA LETVA SA ZAVRTNJIMA

Art.	1pc		CODE
	kg	pcs	
Z/8	1,73	10	1700058
Z/12	2,53	10	1700193

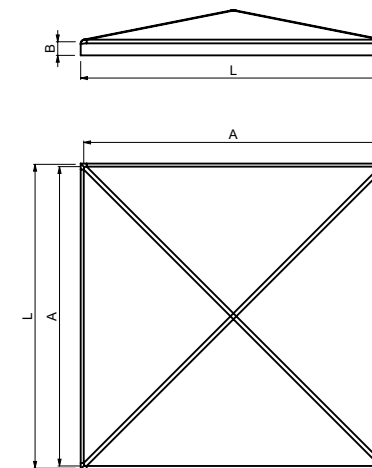
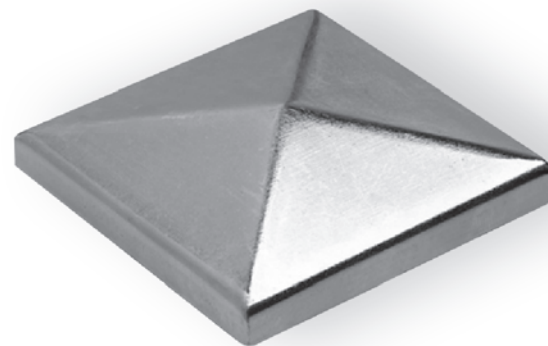
ungalvanized



- (GB) SQUARE CAP FOR COLUMN, UNGALVANIZED
- (D) ABDECKKAPPE FÜR STEHER, ROH
- (F) COUVRE-PILIER CARRÉ, NON GALVANISÉ
- (E) TOPE CUADRADO PARA COLUMNA, SIN GALVANIZAR
- (P) TAMPA QUADRADA PARA COLUNA, NÃO GALVANIZADA
- (I) COPERTURA SQUADRATA PER MONTANTE, NON GALVANIZZATO
- (DK) FIRKANTET DÆKSEL TIL SØJLE, IKKE GALVANISERET
- (NL) VIERKANTE KAP VOOR KOLOM, ONVERZINKT
- (N) FIRKANTBESLAG TIL SØYLER, UGALVANISERT
- (S) FYRKANTIG HUV FÖR STOLPE, O GALVANISERAD
- (FIN) NELIKULMAINEN KANSI PVLVÄÄSEEN, SINKITTÄMÄTÖN
- (PL) KWADRATOWA ZAŚLEPKA SŁUPKA, NIEOCYNKOWANA
- (SK) ZÁŠLEPKA ŠTVORCOVÁ PRE STĽPIK, ČIERNÁ
- (EE) RUUDUKUJULINE KORK SAMBA JAOKS, GALVANISEERIMATA
- (LT) KVADRATINIS DANGTELIS STULPUI, NECINKUOTAS
- (LV) KVADRĀTVEIDA UZGALIS STABAM, NEGALVANIZĒTS

- (CZ) ZÁŠLEPKA ČTVERCOVÁ PRO SLOUPEK, ČERNÁ
- (RO) ACOPERIRE PĂTRATĂ PENTRU COLOANĂ, NEGALVANIZATĂ
- (HR) ČETVRTASTI ČEP ZA STUPOVE, NEGALVANIZIRANI
- (RUS) ЗАГЛУШКА ДЛЯ СТОЛБА КВАДРАТНАЯ, ЧЕРНАЯ
- (SLO) PRAVOKOTNA KAPICA ZA STEBRIČEK, NEPOCINKANA
- (TR) SÜTÜN İÇİN KARE LASTİK, GALVANİZLENMEMİŞ
- (AR) غطاء مربع العمود غير مغلف
- (CHN) 立柱方盖, 非镀锌
- (MAL) PENUTUP SEGI EMPAT SAMA UNTUK TIANG, TIDAK TERGALVANI
- (H) NÉGYZET ALAKÚ LEZÁRÓ-ELEM OSZLOPHOZ, NEM GALVANIZÁLT
- (IL) מכסה קצה פרופיל מרובע לא מגולן
- (BG) КВАДРАТНА КАПАНКА ЗА КОЛОНА, НЕПОЦИНКОВАНА
- (KO) 기둥용 사각 캡, 아연 도금 없음
- (SRB) ČETVRTASTA KAPICA ZA STUBOVE, NEGALVANIZOVANA

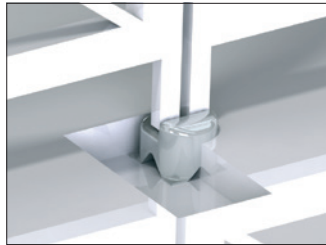
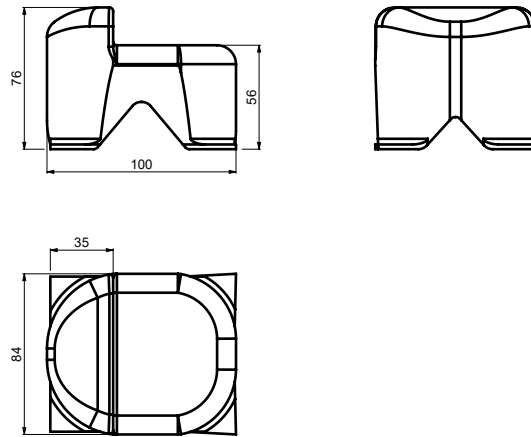
Art.	A	L	B	1pc	Image		CODE
					pcs	kg	
mm							
ROOF 3B	31	35	7	0,028	100	2,8	1700059
ROOF 4B	41	45	7	0,045	100	4,5	1700060
ROOF 5B	51	55	7	0,055	100	5,5	1700061
ROOF 6B	61	65	7	0,085	50	4,25	1700062
ROOF 8B	81	85	7	0,13	50	6,5	1700063
ROOF 10B	101	105	7	0,19	40	7,6	1700064
ROOF 12B	121	125	8	0,2	20	4	1700065
ROOF 15B	151	155	9	0,27	10	2,7	1700066
ROOF 20B	201	205	10	0,73	8	5,84	1700067



- (GB) SQUARE CAP FOR COLUMN, GALVANIZED
- (D) ABDECKKAPPE FÜR STEHER, VERZINKT
- (F) COUVRE-PILIER CARRÉ, GALVANISÉ
- (E) TOPE CUADRADO PARA COLUMNA, GALVANIZADO
- (P) TAMPA QUADRADA PARA COLUNA, GALVANIZADA
- (I) COPERTURA SQUADRATA PER MONTANTE, GALVANIZZATO
- (DK) FIRKANTET DÆKSEL TIL SØJLE, GALVANISERET
- (NL) VIERKANTE KAP VOOR KOLOM, VERZINKT
- (N) FIRKANTBESLAG TIL SØYLER, GALVANISERT
- (S) FYRKANTIG HUV FÖR STOLPE, GALVANISERAD
- (FIN) NELIKULMAINEN KANSI PVLVÄÄSEEN, SINKITTY
- (PL) KWADRATOWA ZAŚLEPKA SŁUPKA, OCYNKOWANA
- (SK) ZÁŠLEPKA ŠTVORCOVÁ PRE STĽPIK, POZINK
- (EE) RUUDUKUJULINE KORK SAMBA JAOKS, GALVANISEERITUD
- (LT) KVADRATINIS DANGTELIS STULPUI, CINKUOTAS
- (LV) KVADRĀTVEIDA UZGALIS STABAM, GALVANIZĒTS

- (CZ) ZÁŠLEPKA ČTVERCOVÁ PRO SLOUPEK, POZINK
- (RO) ACOPERIRE PĂTRATĂ PENTRU COLOANĂ, GALVANIZATĂ
- (HR) ČETVRTASTI ČEP ZA STUPOVE, GALVANIZIRANI
- (RUS) ЗАГЛУШКА ДЛЯ СТОЛБА КВАДРАТНАЯ, ОЦИНКОВАННАЯ
- (SLO) PRAVOKOTNA KAPICA ZA STEBRIČEK, POCINKANA
- (TR) SÜTÜN İÇİN KARE LASTİK, GALVANİZLENMİŞ
- (AR) غطاء مربع العمود مغلف
- (CHN) 立柱方盖, 镀锌
- (MAL) PENUTUP SEGI EMPAT SAMA UNTUK TIANG, TERGALVANI
- (H) NÉGYZET ALAKÚ LEZÁRÓ-ELEM OSZLOPHOZ, GALVANIZÁLT
- (IL) מכסה קצה פרופיל מרובע מגולן
- (BG) КВАДРАТНА КАПАНКА ЗА КОЛОНА, ПОЦИНКОВАНА
- (KO) 기둥용 사각 캡, 아연 도금 있음
- (SRB) ČETVRTASTA KAPICA ZA STUBOVE, GALVANIZOVANA

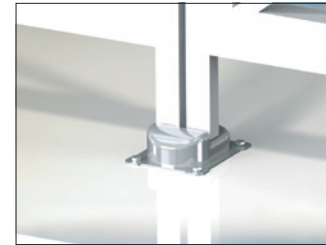
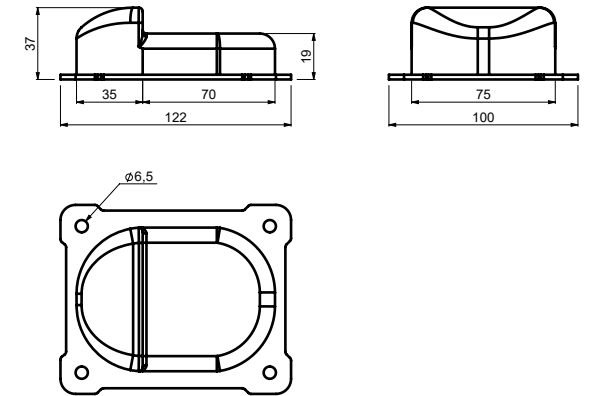
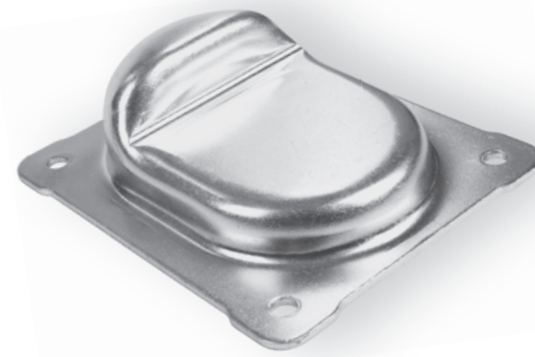
Art.	A	L	B	1pc	Image		CODE
					pcs	kg	
mm							
ROOF 3S	31	35	7	0,028	100	2,8	1700068
ROOF 4S	41	45	7	0,045	100	4,5	1700069
ROOF 5S	51	55	7	0,055	100	5,5	1700070
ROOF 6S	61	65	7	0,085	50	4,25	1700071
ROOF 8S	81	85	7	0,13	50	6,5	1700072
ROOF 10S	101	105	7	0,19	40	7,6	1700073
ROOF 12S	121	125	8	0,2	20	4	1700074
ROOF 15S	151	155	9	0,27	10	2,7	1700075
ROOF 20S	201	205	10	0,73	8	5,84	1700076



- (GB) END STOP, CONCRETED, FOR WING GATES
- (D) BODENANSCHLAG FÜR DREHTORE ZUM EINBETONIEREN
- (F) BUTÉE, BÉTONNÉE, POUR PORTAILS À VANTAUX
- (E) TOPE FINAL, ENCOFRADO, PARA PUERTAS BATIENTES
- (P) BATEENTE, CONCRETADO, PARA PORTÕES DE FOLHA
- (I) FERMO DI FINE CORSA, CEMENTATO, PER CANCELLI A BATTENTE
- (DK) ENDESTOP, STØBT I BETON, TIL FLØJPORTE
- (NL) EINDSTOP, GESTORT IN BETON, VOOR DRAAIPOORTEN
- (N) ENDESTOPPER, BETONGFESTET, FOR SVINGPORTER
- (S) ÄNDSTOPP, CEMENTERAT, FÖR SKJUTBARA SLAGGRINDAR
- (FIN) PÄÄTYPYSÄYTIN, BETONIRAKENTEELLA, ETEEN- JA TAAKSEPÄIN AVAUTUVIIN PORTTEIHIN
- (PL) OGRANICZNIK, ZALEWANY W BETONIE, DO BRAM SKRZYDŁOWYCH
- (SK) DORAZ SPODNÝ PRE KRÍDLOVÚ BRÁNU, K ZABETÓNOVANIU
- (EE) OTSALÕPP, BETONISEERITUD, TIIBVÁRAVATE JAOKS
- (LT) GALINIS RIBOKLIS, BETONUOTAS, ATVERIAMIEMS VARTAMS
- (LV) GALA AIZTURIS, BETONĒTS, VERAMAJIEM VĀRTIEM

- (CZ) DORAZ SPODNÍ PRO KRÍDLOVOU BRÁNU, K ZABETONOVÁNÍ
- (RO) OPRITOR CURSĂ, CIMENTAT, PENTRU UȘILE GLISANTE
- (HR) GRANIČNIK, UGRADNJA BETONIRANJEM, ZA KRILNA DVORIŠNA VRATA
- (RUS) НИЖНИЙ УПОР ДЛЯ РАСПАШНЫХ ВОРОТ, ЦЕМЕНТИРОВАНИЕ
- (SLO) ZAUSTAVLJALNIK, ZA PRITRDITEV Z BETONIRANJEM, ZA KRILNA VRATA UČ TESPIŤ PARČASI, BETONLA SABITLENMIŞ, KANATLI BAHÇE KAPILARI İÇİN
- (TR) KANATLI BAHÇE KAPILARI İÇİN
- (AR) ممانع طرفي، مثبتة، للوابواب الجانحية
- (CHN) 平开门混凝土终点挡块
- (MAL) PENYENDAL HUJUNG, KONKRIT, UNTUK PINTU PAGAR AYUN
- (H) ÚTKÖZŐ, BETONBA ÁGYAZOTT, SZÁRNYAS KAPUKHOZ
- (IL) מעצור תחתון צד לשיער כנפיים לביקור
- (BG) СТОПЕР, БЕТОНЕН, ЗА ПОРТИ С КРИЛА
- (KO) 종단 정지대, 콘크리트식, 윙 게이트용
- (SRB) GRANIČNIK, UGRADNJA BETONIRANJEM, ZA KRILNA DVORIŠNA VRATA

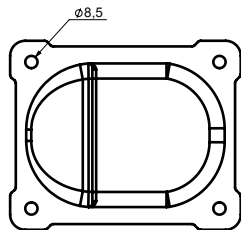
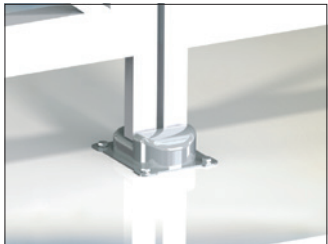
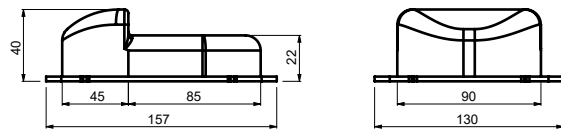
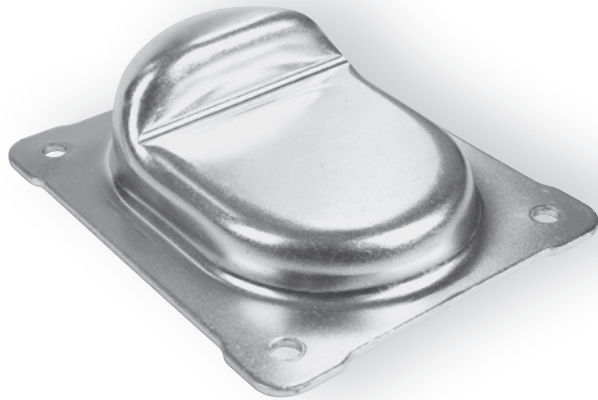
Art.	1pc		CODE
	kg	pcs	
LIMIT	0,33	6	1700077



- (GB) END STOP, FIXED, FOR WING GATES
- (D) BODENANSCHLAG FÜR DREHTORE ZUM VERSCHRAUBEN
- (F) BUTÉE, FIXÉE, POUR PORTAILS À VANTAUX
- (E) TOPE FINAL, FIJO, PARA PUERTAS BATIENTES
- (P) BATEENTE, FIXO, PARA PORTÕES DE FOLHA
- (I) FERMO DI FINE CORSA, FISSA, PER CANCELLI A BATTENTE
- (DK) ENDESTOP, FAST, TIL FLØJPORTE
- (NL) EINDSTOP, VASTGESCHROEFD, VOOR DRAAIPOORTEN
- (N) ENDESTOPPER, FAST, FOR SVINGPORTER
- (S) ÄNDSTOPP, FAST, FÖR SLAGGRINDAR
- (FIN) PÄÄTYPYSÄYTIN, PYSYVÄ, ETEEN- JA TAAKSEPÄIN AVAUTUVIIN PORTTEIHIN
- (PL) OGRANICZNIK, PRZYKRĘCANY, DO BRAM SKRZYDŁOWYCH
- (SK) DORAZ SPODNÝ PRE KRÍDLOVÚ BRÁNU, K PRISKRUTKOVANIU
- (EE) OTSALÕPP, FIKSEERITUD, TIIBVÁRAVATE JAOKS
- (LT) GALINIS RIBOKLIS, FIKSUOTAS, ATVERIAMIEMS VARTAMS
- (LV) GALA AIZTURIS, FIKSĒTS, VERAMAJIEM VĀRTIEM

- (CZ) DORAZ SPODNÍ PRO KRÍDLOVOU BRÁNU, K PŘÍŠROBOVÁNÍ
- (RO) OPRITOR CURSĂ, FIX, PENTRU UȘILE GLISANTE
- (HR) GRANIČNIK, UGRADNJA ZAVRTNIMA, ZA KRILNA DVORIŠNA VRATA
- (RUS) НИЖНИЙ УПОР ДЛЯ РАСПАШНЫХ ВОРОТ, ПРИКРУЧИВАНИЕ ВИНТАМИ
- (SLO) ZAUSTAVLJALNIK, ZA PRIVITJE Z VIJAKI, ZA KRILNA VRATA
- (TR) KANATLI BAHÇE KAPILARI İÇİN SABİT, KANATLI BAHÇE KAPILARI İÇİN
- (AR) ممانع طرفي، مثبتة، للوابواب الجانحية
- (CHN) 平开门固定式终点挡块
- (MAL) PENYENDAL HUJUNG, TETAP, UNTUK PINTU PAGAR AYUN
- (H) ÚTKÖZŐ, RÖGZÍTETT, SZÁRNYAS KAPUKHOZ
- (IL) מעצור תחתון צד לשיער כנפיים התקנה בעיגון
- (BG) СТОПЕР, ФИКСИРАН, ЗА ПОРТИ С КРИЛА
- (KO) 종단 정지대, 고정식, 윙 게이트용
- (SRB) GRANIČNIK, UGRADNJA ZAVRTNIMA, ZA KRILNA DVORIŠNA VRATA

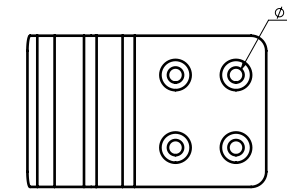
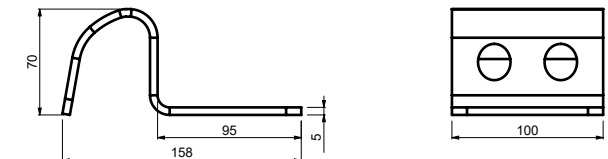
Art.	1pc		CODE
	kg	pcs	
LIMIT S	0,29	20	1700078



- (GB) END STOP, FIXED, FOR WING GATES
 (D) BODENANSCHLAG FÜR DREHTORE ZUM VERSCHRAUBEN
 (F) BUTÉE, FIXÉE, POUR PORTAILS À VANTAUX
 (E) TOPE FINAL, FIJO, PARA PUERTAS BATIENTES
 (P) BATEENTE, FIXO, PARA PORTÕES DE FOLHA
 (I) FERMO DI FINE CORSA, FISSA, PER CANCELLI A BATTENTE
 (DK) ENDESTOP, FAST, TIL FLØJPORTE
 (NL) EINDSTOP, VASTGESCHROEFD, VOOR DRAAIPOORTEN
 (N) ENDESTOPPER, FAST, FOR SVINGPORTER
 (S) ÄNDSTOPP, FAST, FÖR SLAGGRINDAR
 (FIN) PÄÄTYPYSÄYTIN, PYSYVÄ, ETEEN- JA TAAKSEPÄIN AVAUTUVIIN PORTTEIHIN
 (PL) OGRANICZNIK, PRZYKŁĘCANY, DO BRAM SKRZYDŁOWYCH
 (SK) DORAZ SPODNÝ PRE KRÍDLOVÝ BRÁNU, K PRISKRUTKOVANIU
 (EE) OTSALÕPP, FIKSEERITUD, TIBVÁRAVATE JAOKS
 (LT) GALINIS RIBOKLIS, FIKSUOTAS, ATVERIAMIS VARTAMS
 (LV) GALAAIZTURIS, FIKSĒTS, VERAMAJIEM VĀRTIEM

- (CZ) DORAZ SPODNÍ PRO KŘÍDLOVOU BRÁNU, K PŘÍŠROBOVÁNÍ
 (RO) OPRITOR CURSĂ, FIX, PENTRU UȘILE GLISANTE
 (HR) GRANIČNIK, UGRADNJA ZAVRTNJIMA, ZA KRILNA DVORIŠNA VRATA
 (RUS) НИЖНИЙ УПОР ДЛЯ РАСПАШНЫХ ВОРОТ, ПРИКРУЧИВАНИЕ ВИНТАМИ
 (SLO) ZAUSTAVLJALNIK, ZA PRIVITJE Z VIJAKI, ZA KRILNA VRATA
 (TR) UÇ TESPİT PARÇASI, SABİT, KANATLI BAHÇE KAPILARI İÇİN
 (AR) ممانع طرفي، مثبت، للوابواب الجانحية
 (CHN) 平开门固定式终点挡块
 (MAL) PENYENDAL HUJUNG, TETAP, UNTUK PINTU PAGAR AYUN
 (H) ÚTKÖZŐ, RÖGZÍTETT, SZÁRNYAS KAPUKHOZ
 (IL) מעצור תחתון צר לשיער כנפיים התקנה בעיגון
 (BG) СТОПЕР, ФИКСИРАН, ЗА ПОРТИ С КРИЛА
 (KO) 종단 정지대, 고정식, 윙 게이트용
 (SRB) GRANIČNIK, UGRADNJA ZAVRTNJIMA, ZA KRILNA DVORIŠNA VRATA

Art.	1pc			CODE
	kg	pcs	kg	
LIMIT M	0,48	10	4,8	1700079

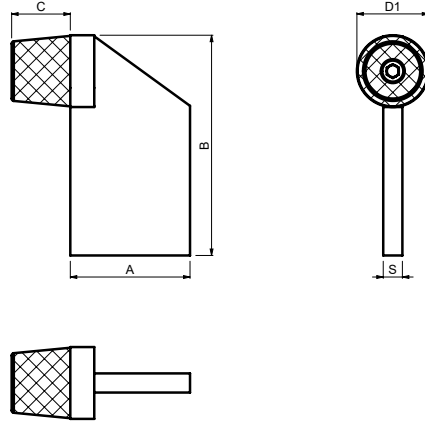
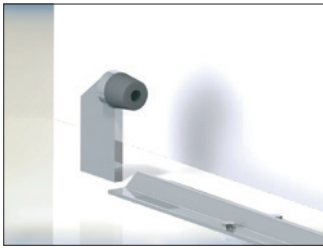


- (GB) END STOP, FIXED, FOR WING GATES
 (D) BODENANSCHLAG FÜR DREHTORE ZUM VERSCHRAUBEN
 (F) BUTÉE, FIXÉE, POUR PORTAILS À VANTAUX
 (E) TOPE FINAL, FIJO, PARA PUERTAS BATIENTES
 (P) BATEENTE, FIXO, PARA PORTÕES DE FOLHA
 (I) FERMO DI FINE CORSA, FISSA, PER CANCELLI A BATTENTE
 (DK) ENDESTOP, FAST, TIL FLØJPORTE
 (NL) EINDSTOP, VASTGESCHROEFD, VOOR DRAAIPOORTEN
 (N) ENDESTOPPER, FAST, FOR SVINGPORTER
 (S) ÄNDSTOPP, FAST, FÖR SLAGGRINDAR
 (FIN) PÄÄTYPYSÄYTIN, PYSYVÄ, ETEEN- JA TAAKSEPÄIN AVAUTUVIIN PORTTEIHIN
 (PL) OGRANICZNIK, PRZYKŁĘCANY, DO BRAM SKRZYDŁOWYCH
 (SK) DORAZ SPODNÝ PRE KRÍDLOVÝ BRÁNU, K PRISKRUTKOVANIU
 (EE) OTSALÕPP, FIKSEERITUD, TIBVÁRAVATE JAOKS
 (LT) GALINIS RIBOKLIS, FIKSUOTAS, ATVERIAMIS VARTAMS
 (LV) GALA AIZTURIS, FIKSĒTS, VERAMAJIEM VĀRTIEM

- (CZ) DORAZ SPODNÍ PRO KŘÍDLOVOU BRÁNU, K PŘÍŠROBOVÁNÍ
 (RO) OPRITOR CURSĂ, FIX, PENTRU UȘILE GLISANTE
 (HR) GRANIČNIK, UGRADNJA ZAVRTNJIMA, ZA KRILNA DVORIŠNA VRATA
 (RUS) НИЖНИЙ УПОР ДЛЯ РАСПАШНЫХ ВОРОТ, ПРИКРУЧИВАНИЕ ВИНТАМИ
 (SLO) ZAUSTAVLJALNIK, ZA PRIVITJE Z VIJAKI, ZA KRILNA VRATA
 (TR) UÇ TESPİT PARÇASI, SABİT, KANATLI BAHÇE KAPILARI İÇİN
 (AR) ممانع طرفي، مثبت، للوابواب الجانحية
 (CHN) 平开门固定式终点挡块
 (MAL) PENYENDAL HUJUNG, TETAP, UNTUK PINTU PAGAR AYUN
 (H) ÚTKÖZŐ, RÖGZÍTETT, SZÁRNYAS KAPUKHOZ
 (IL) מעצור תחתון צר לשיער כנפיים התקנה בעיגון
 (BG) СТОПЕР, ФИКСИРАН, ЗА ПОРТИ С КРИЛА
 (KO) 종단 정지대, 고정식, 윙 게이트용
 (SRB) GRANIČNIK, UGRADNJA ZAVRTNJIMA, ZA KRILNA DVORIŠNA VRATA

Art.	1pc			CODE
	kg	pcs	kg	
LIMIT H	0,92	6	5,52	1700251

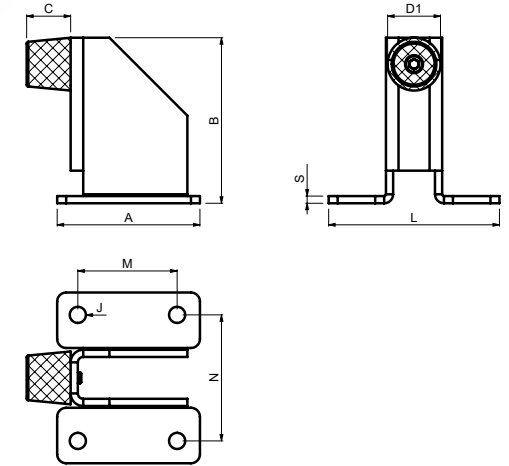
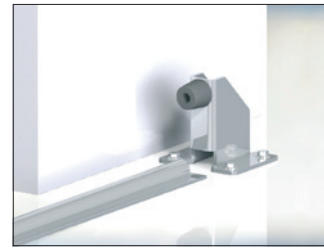
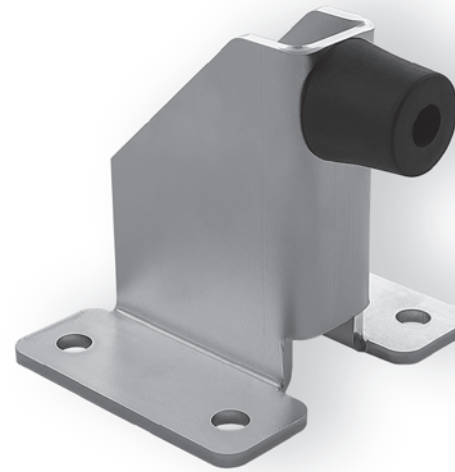




- (GB) END STOP, WELDED, FOR SLIDING AND WING GATES
- (D) GUMMIANSCHLAG FÜR SCHIEBE- UND DREHTORE ZUM ANSCHWEISSEN
- (F) BUTÉE, SOUDÉE, POUR PORTAILS COULISSANTS ET À VANTAUX
- (E) TOPE FINAL, SOLDADO, PARA PUERTAS BATIENTES Y CORREDERAS
- (P) BATENTE, SOLDADO, PARA PORTÕES DESLIZANTES E DE FOLHA
- (I) FERMO DI FINE CORSA, Saldato, per cancelli scorrevoli e a battente
- (DK) ENDESTOP, STØBT, TIL SKYDE- OG FLØJPORTE
- (NL) EINDSTOP, GELAST, VOOR SCHUIF- EN DRAAIPOORTEN
- (N) ENDESTOPPER, SVEISET, FOR SKYVE- OG SVINGPORTER
- (S) ÄNDSTOPP, SVETSAT, FÖR SKJUTBARA GRINDAR OCH SLAGGRINDAR
- (FIN) PÄÄTYPYSÄYTIN, HITSATTU, ETEEN- JA TAAKSEPÄIN AVAUTUVIIN PORTTEIHIN
- (PL) ODBOJNIK, SPAWANY, DO BRAM PRZESUWNYCH I SKRZYDŁOWYCH
- (SK) DORAZ SPODNÝ PRE POSUVNÚ A KRÍDLOVÚ BRÁNU, K PRIVARENIU
- (EE) OTSALOPP, KEEVITATUD, LIUG- JA TIBVÁRAVATE JAOKS
- (LT) GALINIS RIBOKLIS, SUVIRINTAS, STUMDOMIESIEMS IR ATVERIAMIES VARTAMS
- (LV) GALA AIZTURIS, METINĀTS, BĪDĀMAJIEM UN VERĀMAJIEM VĀRTIEM

- (CZ) DORAZ SPODNÍ PRO POSUVNOU A KRÍDLOVOU BRÁNU, K PRIVAŘENÍ
- (RO) OPRITOR CURSĂ, SUDAT, PENTRU UȘILE GLISANTE BATANTE
- (HR) GRANIČNIK, UGRADNJA ZAVARIVANJEM, ZA KLIZNA I KRILNA DVORIŠNA VRATA
- (RUS) ОГРАНИЧИТЕЛЬ ХОДА НИЖНИЙ ДЛЯ ОТКАТНЫХ И РАСПАШНЫХ ВОРОТ, ПРИВАРИВАНИЕ
- (SLO) ZAUSTAVLJALNIK, PRIVARJEN, ZA DRŠNA IN KRILNA VRATA
- (TR) UÇ TESPİT PARÇASI, KAYNAKLANMIŞ, SÜRGÜLÜ VE KANATLI BAĖÇE KAPILARI İÇİN
- (AR) ممانع طرفي، ملحوب، للوابت المنزلقة والوابت الحاملة
- (CHN) 滑动门与平开门对接式终点挡块
- (MAL) PENYENDAL Hujung, BERKIMPAL, UNTUK PINTU PAGAR GELONGSOR DAN AYUN
- (H) ŰTKÖZŐ, HEGESZTETT, TOLÓ- ÉS SZÁRNYAS KAPUKHOZ
- (IL) מפוצר סופי לתחתון לשיער הזזה או ננפים, התקנה בריזוך
- (BG) СТОПЕР, ЗАВАРЕН, ЗА ПЛЪЗГАЩИ ПОРТИ И ПОРТИ С КРИЛА
- (KO) 종단 장치대, 용접식, 슬라이딩 및 횡 게이트용
- (SRB) GRANIČNIK, UGRADNJA ZAVARIVANJEM, ZA KLIZNA I KRILNA DVORIŠNA VRATA

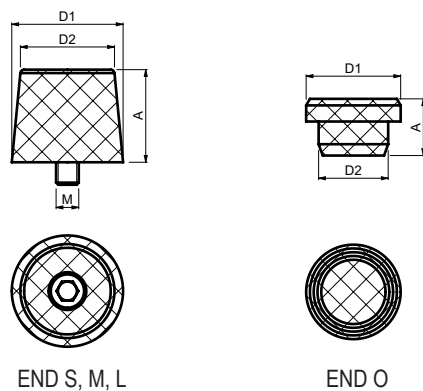
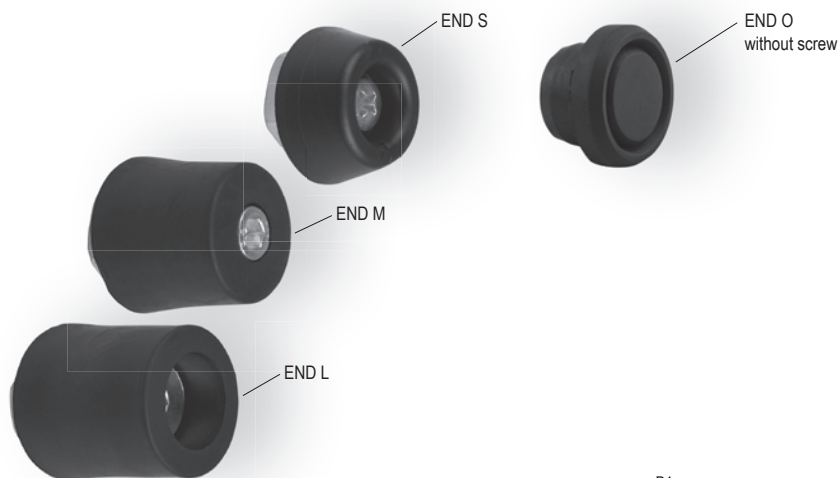
Art.	D1	B	A	C	S	1pc	Image		CODE
							kg	pcs	
	∅								
							mm		
ES 40	29	92	50	24,5	8	0,3	20	6	1700083
ES 50	39	110	70	39	10	0,62	10	6,2	1700084



- (GB) END STOP, FIXED, FOR SLIDING AND WING GATES
- (D) GUMMIANSCHLAG FÜR SCHIEBE- UND DREHTORE ZUM VERSCHRAUBEN
- (F) BUTÉE, FIXÉE, POUR PORTAILS COULISSANTS ET À VANTAUX
- (E) TOPE FINAL, FIJO, PARA PUERTAS BATIENTES Y CORREDERAS
- (P) BATENTE, FIXO, PARA PORTÕES DESLIZANTES E DE FOLHA
- (I) FERMO DI FINE CORSA, FISSO, per cancelli scorrevoli e a battente
- (DK) ENDESTOP, FAST, TIL SKYDE- OG FLØJPORTE
- (NL) EINDSTOP, VASTGESCHROEFD, VOOR SCHUIF- EN DRAAIPOORTEN
- (N) ENDESTOPPER, FAST, FOR SKYVE- OG SVINGPORTER
- (S) ÄNDSTOPP, FAST, FÖR SKJUTBARA GRINDAR OCH SLAGGRINDAR
- (FIN) PÄÄTYPYSÄYTIN, PYSYVÄ, ETEEN- JA TAAKSEPÄIN AVAUTUVIIN PORTTEIHIN
- (PL) ODBOJNIK, PRZYKRĘCANY, DO BRAM PRZESUWNYCH I SKRZYDŁOWYCH
- (SK) DORAZ SPODNÝ PRE POSUVNÚ A KRÍDLOVÚ BRÁNU, K PRISKRUTKOVANIU
- (EE) OTSALOPP, FIKSEERITUD, LIUG- JA TIBVÁRAVATE JAOKS
- (LT) GALINIS RIBOKLIS, FIKSUOTAS, STUMDOMIESIEMS IR ATVERIAMIES VARTAMS
- (LV) GALA AIZTURIS, FIKSĒTS, BĪDĀMAJIEM UN VERĀMAJIEM VĀRTIEM

- (CZ) DORAZ SPODNÍ PRO POSUVNOU A KRÍDLOVOU BRÁNU, K PŘÍŠROBOVÁNÍ
- (RO) OPRITOR CURSĂ, FIX, PENTRU UȘILE GLISANTE BATANTE
- (HR) GRANIČNIK, UGRADNJA ZAVRTNJIAMA, ZA KLIZNA I KRILNA DVORIŠNA VRATA
- (RUS) ОГРАНИЧИТЕЛЬ ХОДА НИЖНИЙ ДЛЯ ОТКАТНЫХ И РАСПАШНЫХ ВОРОТ, ПРИКРУЧИВАНИЕ ВИНТАМИ
- (SLO) ZAUSTAVLJALNIK, ZA PRIVITJE Z VIJAKOM, ZA DRŠNA IN KRILNA VRATA
- (TR) UÇ TESPİT PARÇASI, SABİT, SÜRGÜLÜ VE KANATLI BAĖÇE KAPILARI İÇİN
- (AR) ممانع طرفي، مثبت، للوابت المنزلقة والوابت الحاملة
- (CHN) 滑动门与平开门固定式终点挡块
- (MAL) PENYENDAL Hujung, TETAP, UNTUK PINTU PAGAR GELONGSOR DAN AYUN
- (H) ŰTKÖZŐ, RÖGZÍTETT, TOLÓ- ÉS SZÁRNYAS KAPUKHOZ
- (IL) מפוצר סופי לתחתון לשיער הזזה או ננפים, התקנה בנענו
- (BG) СТОПЕР, ФИКСИРАН, ЗА ПЛЪЗГАЩИ ПОРТИ И ПОРТИ С КРИЛА
- (KO) 종단 장치대, 고정식, 슬라이딩 및 횡 게이트용
- (SRB) GRANIČNIK, UGRADNJA ZAVRTNJIAMA, ZA KLIZNA I KRILNA DVORIŠNA VRATA

Art.	D1	B	A	C	J	L	M	N	S	1pc	Image		CODE
											kg	pcs	
	∅				∅								
											mm		
ES 40 PN	29	92	80	24,5	9	96	55	70	4	0,5	10	5	1700089
ES 50 PN	39	110	95	39	11	114	65	84	4	0,75	5	3,75	1700090




- (GB) RUBBER END STOP WITH SCREW
- (D) GUMMIANSCHLAG MIT SCHRAUBE
- (F) BUTÉE EN CAOUTCHOUC AVEC VIS
- (E) TOPE FINAL DE GOMA CON TUERCA
- (P) BATENTE DE BORRACHA COM PARAFUSO
- (I) FERMO DI FINE CORSA IN GOMMA CON VITE
- (DK) GUMMIENDESTOP MED SKRUE
- (NL) RUBBEREN EINDSTOP MET SCHROEF
- (N) GUMMI ENDESTOPPER MED SKRUE
- (S) ÄNDSTOPP AV GUMMI MED SKRUV
- (FIN) KUMINEN PÄÄTYPYSÄYTIN RUUVILLA
- (PL) ODBOJNIK GUMOWY ZE ŚRUBĄ
- (SK) DORAZ GUMOVÝ SO SKRUTKOU
- (EE) KUMMIIST OTSALÖPP KRUVIGA
- (LT) GUMINIS RIBOKLIŠ SU SRAIGTU
- (LV) GUMIJAS GALAIZTURIS AR SKRŪVI

- (CZ) DORAZ GUMOVÝ SE ŠROUBEM
- (RO) OPRITOR CURSĂ DE CAUCIUC CU FILET
- (HR) GUMENI GRANIČNIK S VIJKOM
- (RUS) ОГРАНИЧИТЕЛЬ ХОДА РЕЗИНОВЫЙ, С ВИНТОМ
- (SLO) GUMIJASTI ZAUSTAVLJALNIK Z VIJAKOM
- (TR) VİDALI LASTİK UÇ TESPİT PARÇASI
- (AR) ملح طرفي مطاطي مع البرغي
- (CHN) 螺钉紧固橡胶终点挡块
- (MAL) PENYENDAL Hujung Getah Dengan Skru
- (H) GUMI ÚTKÖZŐ CSAVARRAL
- (IL) מוטור גומי עם בורג
- (BG) ГУМЕH СТОПЕР С БОЛТ
- (KO) 나사가 있는 고무 종단 장치대
- (SRB) GUMENI GRANIČNIK SA ZAVRTNEM

“YOUR FUTURE IS
CREATED BY WHAT
YOU DO TODAY,
NOT TOMORROW”

– Robert Kiyosaki –

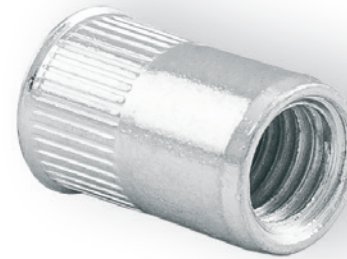
Art.	D1	D2	A	M	1pc			CODE
						pcs	kg	
	Ø		mm		kg	pcs	kg	
END S	29	22	12,5	M5	0,008	20	0,16	1700080
END M	29	24	24,5	M6	0,015	20	0,3	1700081
END L	39	34	39	M10	0,05	20	1	1700082
END O	25	18	15		0,002	20	0,04	1700349



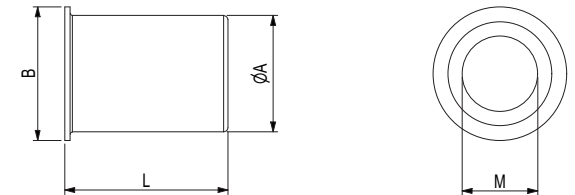
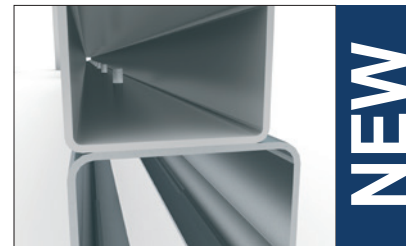
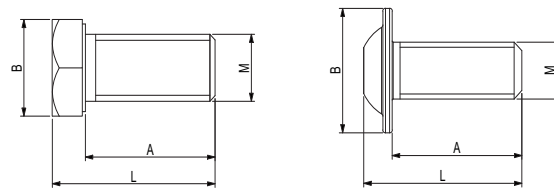
15 pcs



15 pcs



15 pcs



- (GB) THREADED FASTENER
- (D) GEWINDEBEFESTIGUNG
- (F) BOULON POUR
- (E) SUJECIÓN ROSCADA PARA
- (P) FIXAÇÃO ROSCADA PARA
- (I) ELEMENTO DI FISSAGGIO FILETTATO PER
- (DK) GEVINDFASTGØRELSE TIL
- (NL) BOUT VOOR
- (N) BOLT
- (S) GÅNGAT FÄSTE
- (FIN) KIIRTEELLINEN KIINNITIN
- (PL) GWINTOWANE MOCOWANIE
- (SK) ZÁVITOVÝ UPEVŇOVACÍ PRVOK PRE KONŠTRUKCIU
- (EE) KEERMESTATUD KINNITUSDETAIL TOODETELE
- (LT) TVIRTINIMO DETALĖ SU SRIEGIUM
- (LV) VĪRTINĀJUMS MODELĪEM

- (CZ) ŠROUB
- (RO) ELEMENT DE FIXARE FILETAT PENTRU
- (HR) ZATVARAČ S NAVOJEM
- (RUS) РЕЗЬБОВОЙ КРЕПЕЖ ДЛЯ
- (SLO) NAVOJNI PRITRDILNI ELEMEN
- (TR) Z İÇİN DIŞLI BAĞLANTI ELEMANI
- (AR) مثبت ملولب للقطاع
- (CHN) 用于的螺纹紧固件
- (MAL) PENGIKAT BERULIR UNTUK
- (H) MENETES CSAVAR SZÁMÁRA
- (IL) מחבר מוביל ל
- (BG) КРЕПЕЖЕН ЕЛЕМЕНТ С РЕЗБА 3А
- (KO) 용 나사식 패스너
- (SRB) ZATVARAČ S NAVOJEM

- (GB) FASTEN
- (D) BEFESTIGUNG
- (F) ÉCROU AVEUGLE POUR
- (E) SUJECIÓN PARA
- (P) FIXAÇÃO PARA
- (I) ELEMENTO DI FISSAGGIO
- (DK) FASTGØRELSE TIL
- (NL) BLINDMOER VOOR
- (N) GJENGHEYLSE
- (S) FÄSTE
- (FIN) KIINNITIN
- (PL) MOCOWANIE
- (SK) UPEVŇOVACÍ PRVOK PRE KONŠTRUKCIU
- (EE) KINNITUSDETAIL TOODETELE
- (LT) TVIRTINIMO DETALĖ
- (LV) STIPRINĀJUMS MODELĪEM

- (CZ) NÝTOVACÍ MATICE
- (RO) ELEMENT DE FIXARE PENTRU
- (HR) ZATVARAČ
- (RUS) КРЕПЕЖ ДЛЯ
- (SLO) PRITRDILNI ELEMEN
- (TR) İÇİN BAĞLANTI ELEMANI
- (AR) مثبت للقطاع
- (CHN) 的紧固件
- (MAL) PENGIKAT UNTUK
- (H) RÖGZÍTŐELEM SZÁMÁRA
- (IL) מחבר ל
- (BG) КРЕПЕЖЕН ЕЛЕМЕНТ 3А
- (KO) 용 패스너
- (SRB) ZATVARAČ

Art.	L	A	B	M			CODE
					pcs	kg	
BOLT 8x20 - DIN 933	25,5	20	13	M8	15	0,18	1790039
BOLT 10x25 - DIN 933	31,5	25	17	M10	15	0,35	1790007
BOLT 10x20 - ISO 7380-2	25,5	20	22	M10	15	0,27	1790038

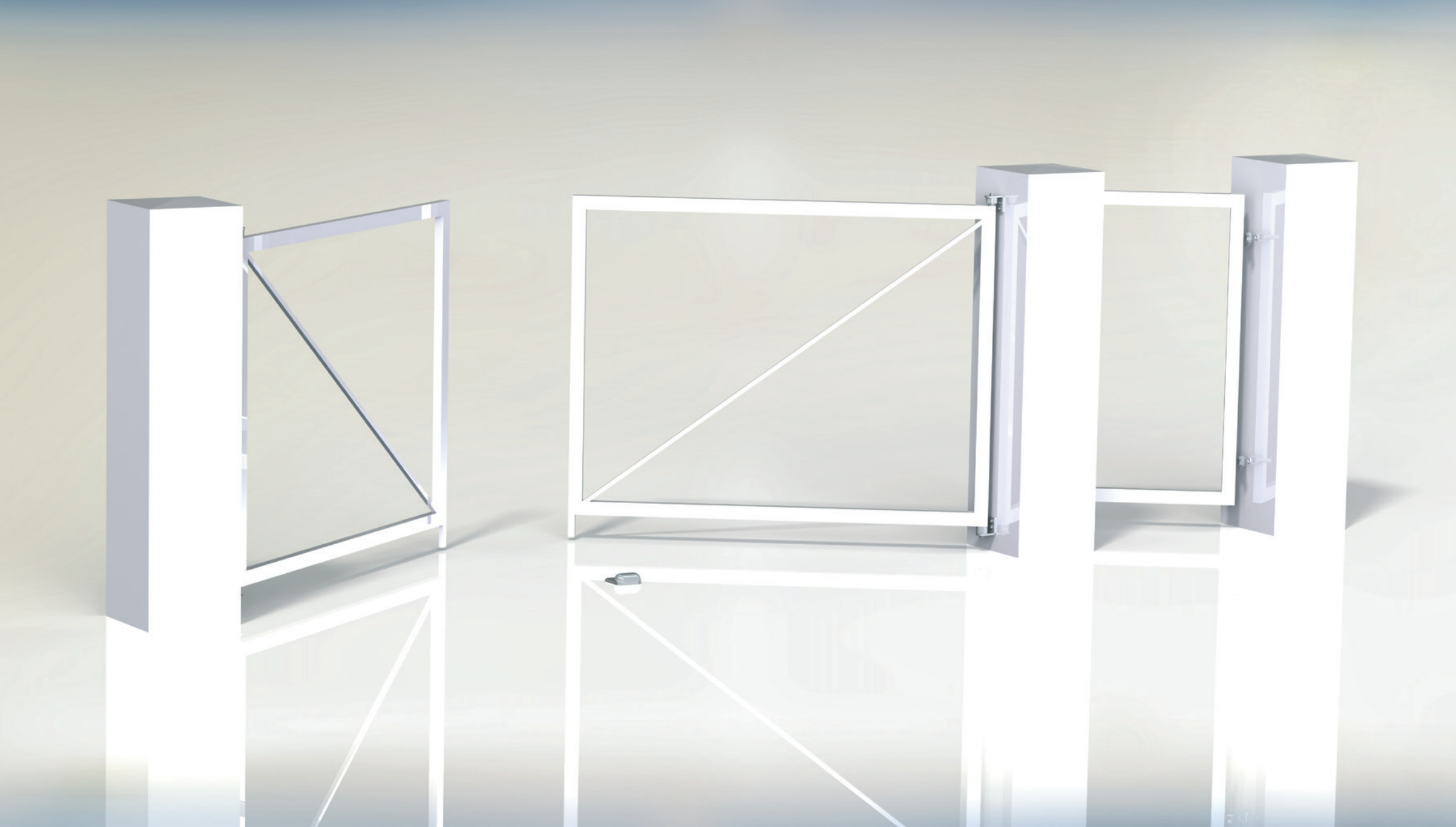
Art.	L	A	B	M			CODE
					pcs	kg	
RIVET NUT - M8	16,5	10,8	12	M8	15	0,07	1790040
RIVET NUT - M10	19,5	12,8	14	M10	15	0,11	1790006

“ALWAYS DELIVER
MORE THAN
EXPECTED”

– Larry Page

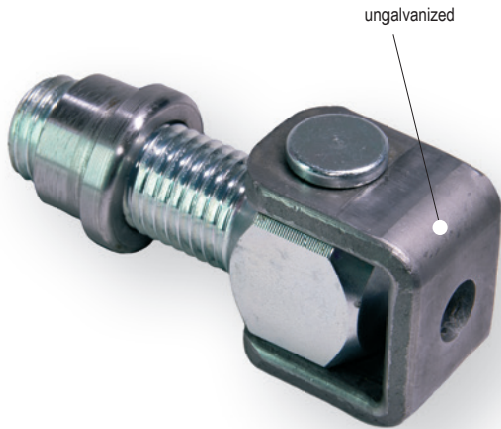


HIGH QUALITY GERMAN STEEL
CAIS PARTNER

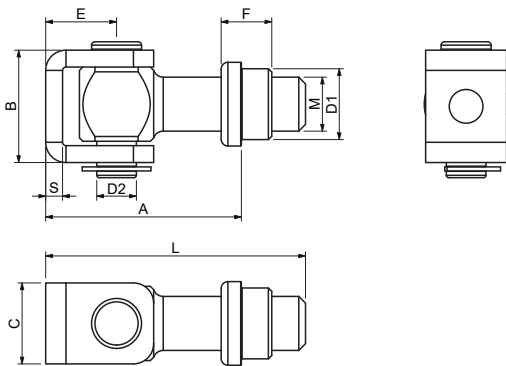


HARDWARE FOR SWING GATES

SWING GATES  CAIS



ungalvanized



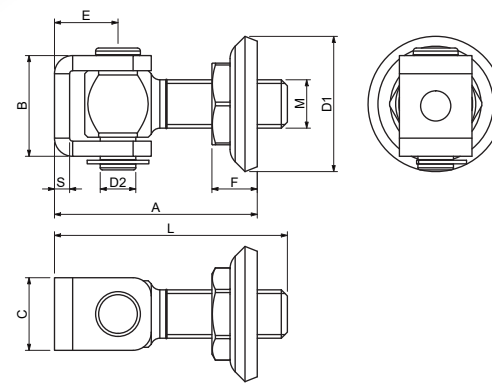
- (GB) ADJUSTABLE HINGE WITH NUT, WELDED, FOR STEEL COLUMN
- (D) TORBAND REGULIERBAR MIT MUTTER FÜR EISENSTEHER
- (F) GOND RÉGLABLE AVEC ÉCROU, SOUDÉ, POUR PILIER EN ACIER
- (E) BISAGRA AJUSTABLE CON PERNO, SOLDADA, PARA COLUMNA DE ACERO
- (P) DOBRADIÇA AJUSTÁVEL COM PORÇA, SOLDADA, PARA COLUNA DE AÇO
- (I) CERNIERA REGOLABILE CON DADO, SALDATA, PER MONTANTE IN ACCIAIO
- (DK) INDSTILLELIGT HÆNGSEL MED MØTRIK, STØBT, TIL STÅLSØJLE
- (NL) VERSTELBARE SCHARNIER MET MOER, GELAST, VOOR STALEN KOLOM
- (N) JUSTERBART HENGSEL MED MUTTER, SVEISET, FOR STÅLSØYLE
- (S) JUSTERBART GÅNGJÄRN MED MUTTER, SVETSAT FÖR STÅLSTOLPE
- (FIN) SÄÄDETTÄVÄ SARANA MUTTERILLA, HITSATTU, TERÄSPYLVÄASEEN
- (PL) ZAWIAS REGULOWANY Z NAKRĘTKĄ, SPAWANY, DO SŁUPKÓW STALOWYCH
- (SK) PÁNT REGULOVATEĽNÝ S MATICOU PRE KOVOVÉ STĽPY
- (EE) REGULEERITAV LIIGEND MUTRIGA, KEEVITATUD, TERASSAMBA JAOKS
- (LT) REGULIUOJAMAS LANKSTAS SU VERŽLE, SUVIRINTAS, PLIENINIAM STULPUI
- (LV) REGULĒJAMA VIRĀ AR UZGRIEZNI, METINĀTA, TĒRAUDA STABAM

- (CZ) PANT REGULOVATEĽNÝ S MATKOU PRO KOVOVÉ SLOUPY
- (RO) BALAMA REGLABILĂ CU PIULIȚĂ, SUDATĂ, PENTRU COLOANA DE OȚEL
- (HR) PRILAGODLJIVI ZGLOB S MATICOM, UGRADNJA ZAVARIVANJEM, ZA ČELIČNE STUPOVE
- (RUS) РЕГУЛИРУЮЩАЯСЯ ПЕТЛЯ С ГАЙКОЙ ДЛЯ МЕТАЛЛИЧЕСКИХ СТОЛБОВ
- (SLO) NASTAVLJIVI TEČAJ Z MATICO, PRIVARJEN, ZA JEKLENI STEBRICEK
- (TR) SOMUNLU AYARLANABİLİR MENTEŞE, KAYNAKLANMIŞ, ÇELİK SÜTUN İÇİN
- (AR) مفصل قابل للضبط مع الصمولة مطبوخة للعمود الفولاذي
- (CHN) 鋼柱焊接式帶螺母可調軟鉸
- (MAL) ENGSEL BOLEH LARAS DENGAN NAT, BERKIMPAL, UNTUK TIANG KELULU
- (H) ÁLLÍTHATÓ ZSANÉR ANYÁVAL, HEGESZTETT, ACÉL OSZLOPHOZ
- (IL) מפרק עם גומחה לברז
- (BG) РЕГУЛИРУЕМА ПАНТА С ГАЙКА, ЗАВАРЕНА, ЗА СТОМАНЕНИ КОЛОНИ
- (KO) 너트가 있는 조절식 경첩, 용접식, 강철 기둥용
- (SRB) PODESIVA ŠARKA SA MATICOM, UGRADNJA ZAVARIVANJEM, ZA ČELIČNE STUBOVE

Art.	M	A min./max.	L	B	C	D1	D2	E	F	S	CAPACITY	1pc		CODE	
												1 pair/kg	kg		
		mm				∅		mm			1 pair/kg	kg	pcs	kg	
H 16	M16	41 - 67	77	33	24	21	12	21	15	5	90	0,24	20	4,8	1700371
H 20	M20	47 - 77	88	39	28	25	14	25	18	6	145	0,4	20	8	1700378
H 24	M24	57 - 91	106	45	34	29	17	30	21	6	220	0,67	10	6,7	1700385



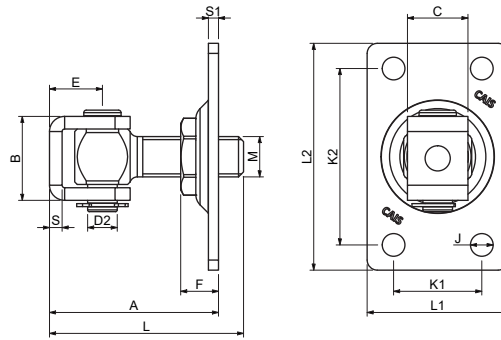
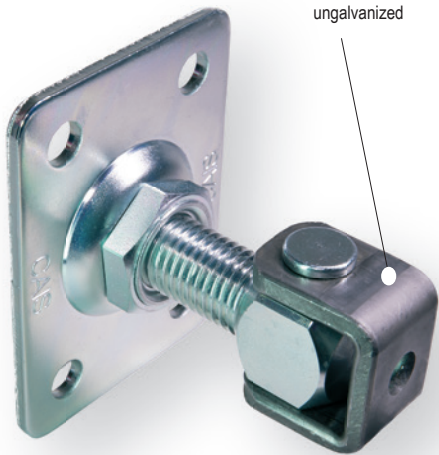
ungalvanized



- (GB) ADJUSTABLE HINGE WITH NUT, WASHER, WELDED, FOR STEEL COLUMN
- (D) TORBAND REGULIERBAR MIT MUTTER FÜR EISENSTEHER
- (F) GOND RÉGLABLE AVEC ÉCROU ET RONDELLE, SOUDÉ, POUR PILIER EN ACIER
- (E) BISAGRA AJUSTABLE CON PERNO, ARANDELA, SOLDADA, PARA COLUMNA DE ACERO
- (P) DOBRADIÇA AJUSTÁVEL COM PORÇA, ARRUELA, SOLDADA, PARA COLUNA DE AÇO
- (I) CERNIERA REGOLABILE CON DADO, RONDELLA SALDATA, PER MONTANTE IN ACCIAIO
- (DK) INDSTILLELIGT HÆNGSEL MED MØTRIK, SPENDESKIVE, STØBT, TIL STÅLSØJLE
- (NL) VERSTELBARE SCHARNIER MET MOER, SLUITRING, GELAST, VOOR STALEN KOLOM
- (N) JUSTERBART HENGSEL MED MUTTER, SKIVE, SVEISET, FOR STÅLSØYLE
- (S) JUSTERBART GÅNGJÄRN MED MUTTER, BRICKA, SVETSAT, FÖR STÅLSSTOLPE
- (FIN) SÄÄDETTÄVÄ SARANA MUTTERILLA, ALUSLAATTA, HITSATTU, TERÄSPYLVÄASEEN
- (PL) ZAWIAS REGULOWANY Z NAKRĘTKĄ, PODKŁADKA, SPAWANY, DO SŁUPKÓW STALOWYCH
- (SK) PÁNT REGULOVATEĽNÝ S MATICOU A PODLOŽKOU PRE KOVOVÉ STĽPY
- (EE) REGULEERITAV LIIGEND MUTRIGA, SEIB, KEEVITATUD, TERASSAMBA JAOKS
- (LT) REGULIUOJAMAS LANKSTAS SU VERŽLE IR POVERŽLE, SUVIRINTAS, PLIENINIAM STULPUI
- (LV) REGULĒJAMA VIRĀ AR UZGRIEZNI UN PAPLĀKSNĪ, METINĀTA, TĒRAUDA STABAM

- (CZ) PANT REGULOVATEĽNÝ S MATKOU A PODLOŽKOU PRO KOVOVÉ SLOUPY
- (RO) BALAMA REGLABILĂ CU PIULIȚĂ, ȘAIBĂ, SUDATĂ, PENTRU COLOANA DE OȚEL
- (HR) PRILAGODLJIVI ZGLOB S MATICOM I PODLOŠKOM, UGRADNJA ZAVARIVANJEM, ZA ČELIČNE STUPOVE
- (RUS) РЕГУЛИРУЮЩАЯСЯ ПЕТЛЯ С ГАЙКОЙ И ШАЙБОЙ ДЛЯ МЕТАЛЛИЧЕСКИХ СТОЛБОВ
- (SLO) NASTAVLJIVI TEČAJ Z MATICO, PODLOŽKO, PRIVARJEN, ZA JEKLENI STEBRICEK
- (TR) SOMUNLU AYARLANABİLİR MENTEŞE, CONTA, KAYNAKLANMIŞ, ÇELİK SÜTUN İÇİN
- (AR) مفصل قابل للضبط مع الصمولة مطبوخة مع الصمولة للعمود الفولاذي
- (CHN) 鋼柱焊接式帶螺母墊圈可調軟鉸
- (MAL) ENGSEL BOLEH LARAS DENGAN NAT, SESENDAL, BERKIMPAL, UNTUK TIANG KELULU
- (H) ÁLLÍTHATÓ ZSANÉR ANYÁVAL, ALÁTÉTTTEL, HEGESZTETT, ACÉL OSZLOPHOZ
- (IL) מפרק עם וואשער לברז
- (BG) РЕГУЛИРУЕМА ПАНТА С ГАЙКА, ШАЙБА, ЗА СТОМАНЕНИ КОЛОНИ
- (KO) 너트 및 와셔가 있는 조절식 경첩, 용접식, 강철 기둥용
- (SRB) PODESIVA ŠARKA BEZ MATICE, SA PODLOŠKOM, UGRADNJA ZAVARIVANJEM, ZA ČELIČNE STUBOVE

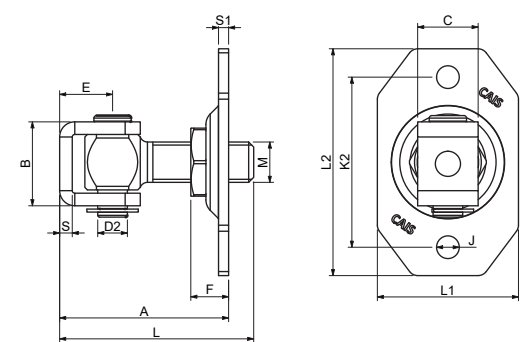
Art.	M	A min./max.	L	B	C	D1	D2	E	F	S	CAP.	1pc		CODE	
												1 pair/kg	kg		
		mm				∅		mm			1 pair/kg	kg	pcs	kg	
HN 16	M16	50 - 77	77	33	24	45	12	21	16	5	90	0,3	20	6	1700372
HN 20	M20	60 - 88	88	39	28	50	14	25	19	6	145	0,48	20	9,6	1700379
HN 24	M24	70 - 106	106	45	34	60	17	30	22	6	220	0,79	10	7,9	1700386



- (GB) ADJUSTABLE HINGE WITH PLATE, FIXED
- (D) TORBAND REGULIERBAR MIT PLATTE FÜR BETONSTEHER
- (F) GOND RÉGLABLE AVEC PLATINE, FIXE
- (E) BISAGRA AJUSTABLE CON PLATO, FIJA
- (P) DOBRADIČA AJUSTÁVEL COM PLACA, FIXA
- (I) CERNIERA REGOLABILE CON PIASTRA, FISSA
- (DK) INDSTILLELIGT HÆNGSEL MED PLADE, FAST
- (NL) VERSTELBARE SCHARNIER MET PLAAT, VASTGESCHROEFD
- (N) JUSTERBART HENGSEL MED PLATE, FAST
- (S) JUSTERBART GANGJÄRN MED PLATTA, FAST
- (FIN) SÄÄDETTÄVÄ SARANA LEVYLÄ, PYSYVÄ
- (PL) ZAWIAS REGULOWANY Z PŁYTKĄ, PRZYKRĘCANY
- (SK) PÁNT REGULOVATELNÝ S PLOŤNOU PRE MUROVANÉ A KOVOVÉ STĽPY
- (EE) REGULĒERITAV LIIGEND PLAADIGA, FIKSEERITUD
- (LT) REGULIUOJAMAS LANKŠTAS SU PLOKŠTELE, FIKSUOTAS
- (LV) REGULĒJAMA VIRAR PLĀKSNĪ, FIKSĒTA

- (CZ) PÁNT REGULOVATELNÝ S PLOŤNOU PRO ZDĚNÉ A KOVOVÉ SLOUPY
- (RO) BALAMA REGLABILĂ CU PLACĂ, FIXĂ
- (HR) PRILAGODLJIVI ZGLOB S PLOČOM, UGRADNJA ZAVRTNJIMA
- (RUS) РЕГУЛИРУЮЩАЯСЯ ПЕТЛЯ С ПЛАСТИНОЙ ДЛЯ БЕТОННЫХ И МЕТАЛЛИЧЕСКИХ СТОЛБОВ
- (SLO) NASTAVLJIVI TEČAJ S PLOŠČO, FIKSNI
- (TR) PLAKALI AYARLANABİLİR MENTEŞE, SABİT
- (AR) مفصل قابل التعديل مع لوحة ثابت
- (CHN) 帶板鏈板的固定式可調軟鏈
- (MAL) ENGSEL BOLEH LARAS DENGAN PLAT, TETAP
- (H) ÁLLÍTHATÓ ZSANÉR LEMEZZEL, RÖGZÍTETT
- (IL) ציר מתכוון עם פלטה, הקדמה בניגון
- (BG) РЕГУЛИРУЕМА ПАНТА С ПЛАНКА, ФИКСИРАНА
- (KO) 조절식 경첩 및 플레이트, 고정식
- (SRB) PODESIVA ŠARKA SA PLOČOM, UGRADNJA ZAVRTNJIMA

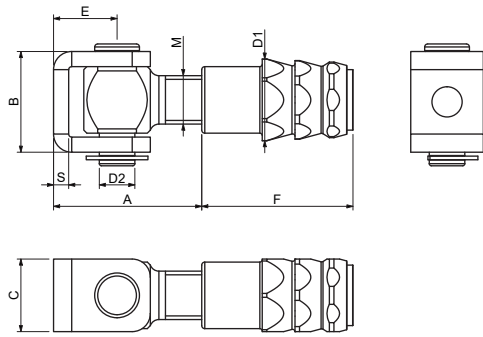
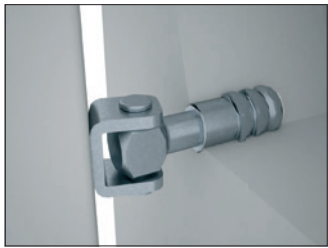
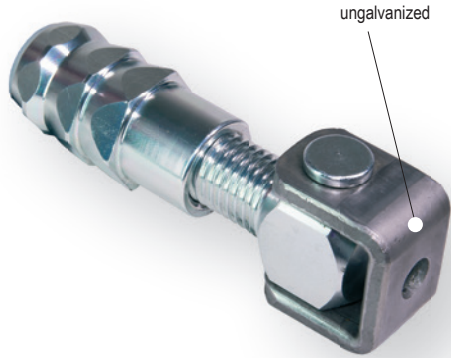
Art.	M	L1	L2	A min./max.		L	B	C	D2	E	F	J	K1	K2	S	S1	CAP.	1pc			CODE
				mm	mm													mm	mm	mm	
HP 16 R	M16	56	90	50 - 77	77	33	24	12	21	16	9	35	70	5	4	90	0,39	20	7,8	1700373	
HP 20 R	M20	74	100	60 - 88	88	39	28	14	25	19	11	45	71	6	4	145	0,62	10	6,2	1700380	
HP 24 R	M24	94	110	70 - 106	106	45	34	17	30	22	11	65	81	6	5	220	1,06	10	10,6	1700387	



- (GB) ADJUSTABLE HINGE WITH PLATE, FIXED
- (D) TORBAND REGULIERBAR MIT PLATTE FÜR BETONSTEHER
- (F) GOND RÉGLABLE AVEC PLATINE, FIXE
- (E) BISAGRA AJUSTABLE CON PLATO, FIJA
- (P) DOBRADIČA AJUSTÁVEL COM PLACA, FIXA
- (I) CERNIERA REGOLABILE CON PIASTRA, FISSA
- (DK) INDSTILLELIGT HÆNGSEL MED PLADE, FAST
- (NL) VERSTELBARE SCHARNIER MET PLAAT, VASTGESCHROEFD
- (N) JUSTERBART HENGSEL MED PLATE, FAST
- (S) JUSTERBART GANGJÄRN MED PLATTA, FAST
- (FIN) SÄÄDETTÄVÄ SARANA LEVYLÄ, PYSYVÄ
- (PL) ZAWIAS REGULOWANY Z PŁYTKĄ, PRZYKRĘCANY
- (SK) PÁNT REGULOVATELNÝ S PLOŤNOU PRE MUROVANÉ A KOVOVÉ STĽPY
- (EE) REGULĒERITAV LIIGEND PLAADIGA, FIKSEERITUD
- (LT) REGULIUOJAMAS LANKŠTAS SU PLOKŠTELE, FIKSUOTAS
- (LV) REGULĒJAMA VIRAR PLĀKSNĪ, FIKSĒTA

- (CZ) PÁNT REGULOVATELNÝ S PLOŤNOU PRO ZDĚNÉ A KOVOVÉ SLOUPY
- (RO) BALAMA REGLABILĂ CU PLACĂ, FIXĂ
- (HR) PRILAGODLJIVI ZGLOB S PLOČOM, UGRADNJA ZAVRTNJIMA
- (RUS) РЕГУЛИРУЮЩАЯСЯ ПЕТЛЯ С ПЛАСТИНОЙ ДЛЯ БЕТОННЫХ И МЕТАЛЛИЧЕСКИХ СТОЛБОВ
- (SLO) NASTAVLJIVI TEČAJ S PLOŠČO, FIKSNI
- (TR) PLAKALI AYARLANABİLİR MENTEŞE, SABİT
- (AR) مفصل قابل التعديل مع لوحة ثابت
- (CHN) 帶板鏈板的固定式可調軟鏈
- (MAL) ENGSEL BOLEH LARAS DENGAN PLAT, TETAP
- (H) ÁLLÍTHATÓ ZSANÉR LEMEZZEL, RÖGZÍTETT
- (IL) ציר מתכוון עם פלטה, הקדמה בניגון
- (BG) РЕГУЛИРУЕМА ПАНТА С ПЛАНКА, ФИКСИРАНА
- (KO) 조절식 경첩 및 플레이트, 고정식
- (SRB) PODESIVA ŠARKA SA PLOČOM, UGRADNJA ZAVRTNJIMA

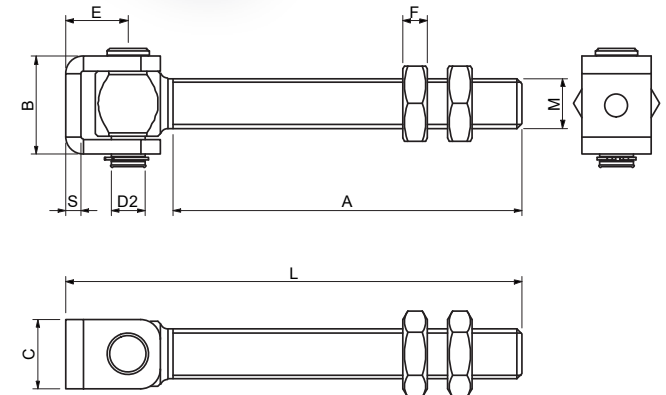
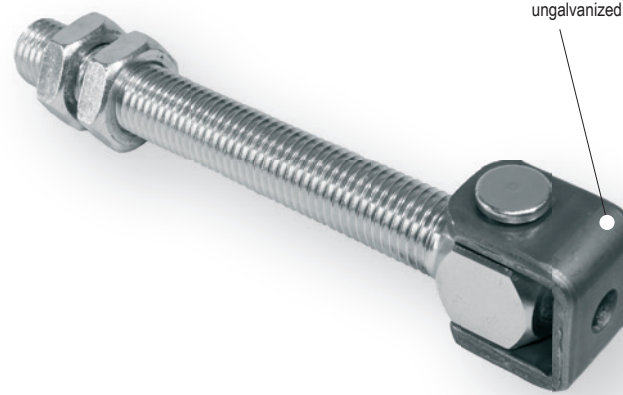
Art.	M	L1	L2	A min./max.		L	B	C	D2	E	F	J	K2	S	S1	CAP.	1pc			CODE
				mm	mm												mm	mm	mm	
HP 16 A	M16	56	90	50 - 77	77	33	24	12	21	16	9	68	5	4	90	0,38	20	7,6	1700374	
HP 20 A	M20	74	100	60 - 88	88	39	28	14	25	19	11	75	6	4	145	0,6	10	6	1700381	



- (GB) ADJUSTABLE HINGE FOR MASONRY
- (D) TORBAND REGULIERBAR MIT GEWINDEHÜLSE
- (F) GOND RÉGLABLE POUR MAÇONNERIE
- (E) BISAGRA AJUSTABLE PARA ALBAÑILERÍA
- (P) DOBRADIČA AJUSTÁVEL PARA ALVENARIA
- (I) CERNIERA REGOLABILE PER MURATURA
- (DK) INDSTILLELIGT HÆNGSEL TIL MURVÆRK
- (NL) VERSTELBARE SCHARNIER VOOR METSELWERK
- (N) JUSTERBART HÆNGSEL FOR MURVERK
- (S) JUSTERBART GÅNGJÄRN FÖR MURNING
- (FIN) SÄÄDETTÄVÄ SARANA MUURAUKSEEN
- (PL) ZAWIAS REGULOWANY DO WMUROWANIA
- (SK) PÁNT REGULOVATEĽNÝ SO ZÁVITOVOU VLOŽKOU PRE MUROVANÉ STĽPY
- (EE) REGULIERTAV LIIGEND MÜÜRITISE JAKKS
- (LT) REGULIUOJAMAS LANKSTAS MŪRIUI
- (LV) REGULĒJAMA VIRĀR MŪREJUMIEM

- (CZ) PÁNT REGULOVATEĽNÝ SE ZÁVITOVOU VLOŽKOU PRO ZDĚNÉ SLOUPY
- (RO) BALAMA REGLABILĂ PENTRU ZIDĂRIE
- (HR) PRILAGODLJIVI ZGLOB S KLINOM ZA ZID
- (RUS) РЕГУЛИРУЮЩАЯСЯ ПЕТЛЯ С ВКЛАДЫШЕМ С РЕЗЬБОЙ ДЛЯ БЕТОННЫХ СТОЛБОВ
- (SLO) NASTAVLJIVI TEČAJ, ZIDNI
- (TR) KAGIR YAPILAR İÇİN AYARLANABİLİR MENTEŞE
- (AR) مفصل قابل للتعديل خاص بالبناء
- (CHN) 墙体可调铰链
- (MAL) ENGSEL BOLEH LARAS UNTUK BATU-BATA
- (H) ÁLLÍTHATÓ ZSANÉR TEGLAFAIBA
- (IL) ציר מתכוון עם שריוול ליצירת בטון
- (BG) РЕГУЛИРУЕМА ПАНТА С ВТУЛКА С РЕЗБА
- (KO) 석조용 조절식 경첩
- (SRB) PODESIVA ŠARKA SA KLINOM ZA ZID

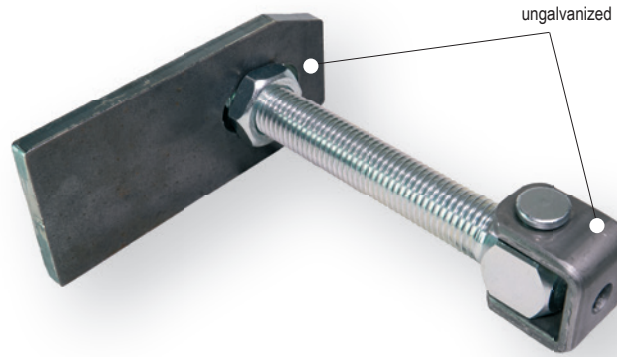
Art.	M	A min./max.	B	C	D1	D2	E	F	S	CAPACITY	1pc		CODE	
											1 pair/kg	kg		pcs
		mm		Ø		mm		mm						
HW 16	M16	35 - 61	33	24	27	12	21	50	5	90	0,3	20	6	1700375
HW 20	M20	41 - 71	39	28	34	14	25	63	6	145	0,53	20	10,6	1700382
HW 24	M24	50 - 84	45	34	40	17	30	75	6	220	0,9	10	9	1700388



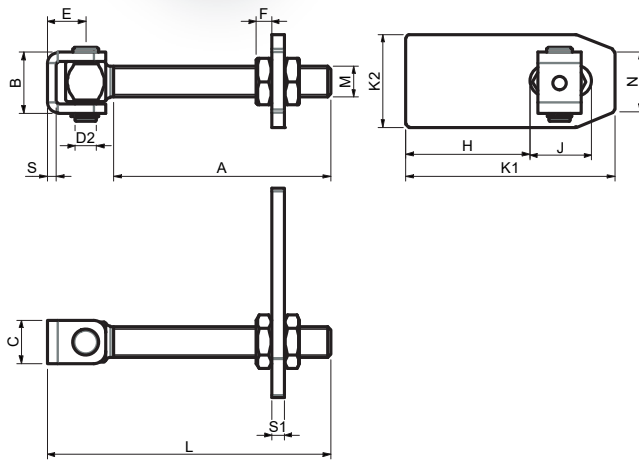
- (GB) ADJUSTABLE HINGE WITH LONGER BAR, FOR WOOD OR STEEL COLUMN
- (D) TORBAND MIT GEWINDESTANGE FÜR HOLZ- UND EISENSTEHER
- (F) GOND RÉGLABLE AVEC BARRÉ LONGUE, POUR BOIS OU PILIER EN ACIER
- (E) BISAGRA AJUSTABLE CON BARRA MAYOR, PARA COLUMNA DE ACERO O DE MADERA
- (P) DOBRADIČA AJUSTÁVEL COM BARRA MAIS LONGA, PARA COLUNA DE MADEIRA OU AÇO
- (I) CERNIERA REGOLABILE CON BARRA ALLUNGATA, PER MONTANTE IN LEGNO O ACCIAIO
- (DK) INDSTILLELIGT HÆNGSEL MED LÆNGERE STANG, TIL TRÆ- ELLER STÅLSØJLE
- (NL) VERSTELBARE SCHARNIER MET LANGERE STEEL, VOOR HOUTEN OF STALEN KOLOMMEN
- (N) JUSTERBART HÆNGSEL MED LÆNGRE STANG, TIL TRÆ- ELLER STÅLSØYLE
- (S) JUSTERBART GÅNGJÄRN MED FÖRLÄNGD STANG, FÖR TRÄ- ELLER STÅLSTOLPE
- (FIN) SÄÄDETTÄVÄ SARANA PITKÄLLÄ TANGOLLA, PUU- TAI TERÄSPYLVÄÄSEEN
- (PL) ZAWIAS REGULOWANY Z DŁUŻSZYM PRĘTEM DO SŁUPKÓW DREWNIANYCH LUB STALOWYCH
- (SK) PÁNT REGULOVATEĽNÝ SO ZÁVITOVOU TYČOU PRE DREVĚNÉ A KOVOVÉ STĽPY
- (EE) REGULIERTAV LIIGEND PIKEMA TALAGA, PUIT- VÕI TERASSAMBA JAKKS
- (LT) REGULIUOJAMAS LANKSTAS SU ILGESNIU STRYPŲ, MEDINIAM ARBA PLIENINIAM STULPUI
- (LV) REGULĒJAMA VIRĀR GARĀKU STIENI KOKA VAI TĒRAUDA STĀBAM

- (CZ) PÁNT REGULOVATEĽNÝ SE ZÁVITOVOU TYČÍ PRO DŘEVĚNÉ A KOVOVÉ SLOUPY
- (RO) BALAMA REGLABILĂ CU BARĂ LUNGĂ, PENTRU COLOANĂ DE OȚEL SAU LEMN
- (HR) PRILAGODLJIVI ZGLOB S DULJIM NAVOJEM, ZA DRVENE ILI ČELIČNE STUPOVE
- (RUS) РЕГУЛИРУЮЩАЯСЯ ПЕТЛЯ СО СТЕРЖНЕМ С РЕЗЬБОЙ ДЛЯ ДЕРЕВЯННЫХ И МЕТАЛЛИЧЕСКИХ СТОЛБОВ
- (SLO) NASTAVLJIVI TEČAJ Z NAVOJNO SPONO, ZA LESENI ALI JEKLENI STEBRIČEK
- (TR) UZUN ÇUBUKLU AYARLANABİLİR MENTEŞE, TAHTA VEYA ÇELİK SÜTÜN İÇİN
- (AR) مفصل قابل للتعديل مع قضيب أطول، الخشب أو الحديد
- (CHN) 木柱或钢柱带长杆的可调铰链
- (MAL) ENGSEL BOLEH LARAS DENGAN BAR PANJANG, UNTUK TIANG KAYU ATAU KELULU
- (H) ÁLLÍTHATÓ ZSANÉR HOSSZÚ SZÁRRAL, FA ÉS ACÉL OSZLOPHOZ
- (IL) ציר מתכוון עם מוט הברדה
- (BG) МНОГО ДЪЛГА РЕГУЛИРУЕМА ПАНТА, ЗА ДЪРВЕНИ И СТОМАНЕНИ КОЛОНИ
- (KO) 장대가 있는 조절식 경첩, 목재 또는 강철 기둥용
- (SRB) PODESIVA ŠARKA SA DUŽIM NAVOJEM, ZA DRVENE ILI ČELIČNE STUBOVE

Art.	M	A	L	B	C	D2	E	F	S	CAPACITY	1pc		CODE	
											1 pair/kg	kg		pcs
		mm		Ø		mm		mm						
HL 20	M20	145	188	39	28	14	25	10	6	145	0,63	10	6,3	1700383
HL 24	M24	155	206	45	34	17	30	12	6	220	1,03	10	10,3	1700389



ungalvanized

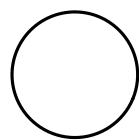


- (GB) ADJUSTABLE HINGE WITH PLATE, FIXED
 (D) TORBAND REGULIERBAR MIT PLATTE FÜR EISENSTEHER
 (F) GOND RÉGLABLE AVEC PLATINE, FIXÉ
 (E) BISAGRA AJUSTABLE CON PLATO, FIXA
 (P) DOBRADIČA AJUSTÁVEL COM PLACA, FIXA
 (I) CERNIERA REGOLABILE CON PIASTRA, FISSA
 (DK) INDSTILLELIGT HÆNGSEL MED PLADE, FAST
 (NL) VERSTELBARE SCHARNIER MET PLAAT, VASTGESCHROEFD
 (N) JUSTERBART HÆNGSEL MED PLATE, FAST
 (S) JUSTERBART GANGJÄRN MED PLATTA, FAST
 (FIN) SÄÄDETTÄVÄ SARANA LEVYLLÄ, PYSYVÄ
 (PL) ZAWIAS REGULOWANY Z PLYTKĄ, PRZYKRĘCANY
 (SK) PÁNT REGULOVATEĽNÝ S PLATŇOU PRE MUROVANÉ A KOVOVÉ STĽPY
 (EE) REGULĒERITAV LIIGEND PLAADIGA, FIKSEERITUD
 (LT) REGULIUOJAMAS LANKSTAS SU PLOKŠTELE, FIKSUOTAS
 (LV) REGULĒJAMA VIRAR PLĀKSNĪ, FIKSĒTA

- (CZ) PÁNT REGULOVATEĽNÝ S PLOTNOU PRO KOVOVÉ SLOUPY
 (RO) BALAMA REGLABILĂ CU PLACĂ, FIXĂ
 (HR) PRILAGODLJIVI ZGLOB S PLOČOM, UGRADNJA ZAVRTNJIMA
 (RUS) РЕГУЛИРУЮЩАЯСЯ ПЕТЛЯ С ПЛАСТИНОЙ ДЛЯ БЕТОННЫХ И МЕТАЛЛИЧЕСКИХ СТОЛБОВ
 (SLO) NASTAVLJIVI TEČAJ S PLOŠČO, FIKSNI
 (TR) PLAKALI AYARLANABİLİR MENTEŞE, SABİT
 (AR) مفصل قابل التعديل مع اللوحة، ثابت
 (CHN) 帶板铰链的固定式可調铰链
 (MAL) ENGSEL BOLEH LARAS DENGAN PLAT, TETAP
 (H) ALLÍTHATÓ ZSANÉR LEMEZZEL, RÖGZÍTETT
 (IL) ציר מתכוון עם פלטה לתעוד בסוג או מתכת
 (BG) РЕГУЛИРУЕМА ПАНТА С ПЛАНКА, ФИКСИРАНА
 (KO) 조절식 경첩 및 플레이트, 고정식
 (SRB) PODESIVA ŠARKA SA PLOČOM, UGRADNJA ZAVRTNJIMA


SELL THE PROBLEM
YOU SOLVE,
 NOT THE PRODUCTS.

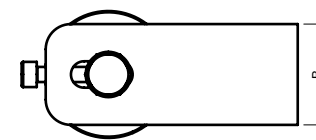
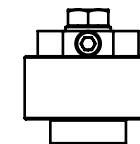
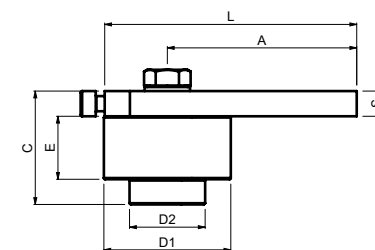
Art.	M	A	L	B	C	D2	E	F	S	S1	K1	K2	H	J	N	CAP.	1pc	CODE			
																		1 pair/kg	kg	pcs	kg
																		mm			
																		Ø			
																		mm			
HL 20 G	M20	145	188	39	28	14	25	10	6	8	135	60	80	40	40	145	1,07	10	10,7	1700384	
HL 24 G	M24	155	206	45	34	17	30	12	6	12	150	70	73	44	45	220	1,88	4	7,72	1700390	



- (GB) LOWER HINGE WITH BEARING
- (D) DRUCKLAGER FÜR DREHTORE
- (F) GOND INFÉRIEUR AVEC ROULEMENT
- (E) BISAGRA INFERIOR CON RODAMIENTO
- (P) DOBRADIČA INFERIOR COM ROLAMENTO
- (I) CERNIERA INFERIORE CON CUSCINETTO
- (DK) NEDERSTE HÆNGSEL MED LEJE
- (NL) ONDERSTE SCHANIERPLAAT MET DRUKLAGER
- (N) NEDRE HENGSEL MED LAGER
- (S) ÖVRE GÅNGJÄRN MED LAGER
- (FIN) ALASARANA LAAKERILLA
- (PL) ZAWIAS DOLNY Z ŁOŻYSKIEM
- (SK) PÁNT SPODNÝ LOŽISKOVÝ
- (EE) ALUMINE LIIGEND LAAGRIGA
- (LT) APATINIS LANKSTAS SU GUOLIU
- (LV) APAKŠĒJĀ VIRĀ AR GULTNĪ


- (CZ) PANT SPODNÍ LOŽISKOVÝ
- (RO) BALAMA INFERIOARĂ CU LAGĂR
- (HR) DONJI ZGLOB S LEŽAJEVIMA
- (RUS) ПЕТЛЯ-ШАРНИР НИЖНЯЯ, ПОДШИПНИКОВАЯ
- (SLO) SPODNJI TEČAJ Z LEŽAJEM
- (TR) RULMANLI ALT MENTEŞE
- (AR) مفصل منخفض مع المحمل
- (CHN) 帶軸承的下鞍鏈
- (MAL) ENGSEL BAWAH DENGAN BEARING
- (H) ALSÓ ZSANÉR CSAFÁGGYAL
- (IL) ציר מיסב עליון
- (BG) ДОЛНА ПАНТА С ЛАГЕР ЗА ПОРТИ С КРИЛА
- (KO) 베어링이 있는 하단 경첩
- (SRB) DONJA ŠARKA SA LEŽAJEM

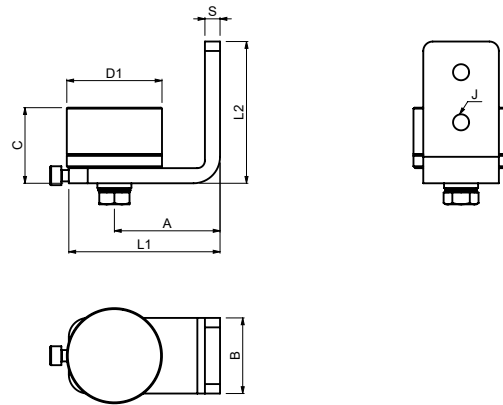
Art.	D1	C	CAPACITY	1pc			CODE
					pcs	kg	
AB 50 L	50	33	600	0,43	10	4,3	1700110
AB 70 L	68	41	1000	0,98	10	9,8	1700111



- (GB) UPPER HINGE WITH BEARING
- (D) OBERES DREHLAGER FÜR DREHTORE
- (F) GOND SUPÉRIEUR AVEC ROULEMENT
- (E) BISAGRA SUPERIOR CON RODAMIENTO
- (P) DOBRADIČA SUPERIOR COM ROLAMENTO
- (I) CERNIERA SUPERIORE CON CUSCINETTO
- (DK) ØVERSTE HÆNGSEL MED LEJE
- (NL) BOVENSTE SCHANIERPLAAT MET DRUKLAGER
- (N) TOPPHENGSEL MED LAGER
- (S) ÖVRE GÅNGJÄRN MED LAGER
- (FIN) YLÄSARANA LAAKERILLA
- (PL) ZAWIAS GÓRNY Z ŁOŻYSKIEM
- (SK) PÁNT HORNÝ LOŽISKOVÝ
- (EE) ÜLEMINE LIIGEND LAAGRIGA
- (LT) VIRŠUTINIS LANKSTAS SU GUOLIU
- (LV) AUGŠĒJĀ VIRĀ AR GULTNĪ

- (CZ) PANT HORNÍ LOŽISKOVÝ
- (RO) BALAMA SUPERIOARĂ CU LAGĂR
- (HR) GORNJI ZGLOB S LEŽAJEVIMA
- (RUS) ПЕТЛЯ-ШАРНИР ВЕРХНЯЯ, ПОДШИПНИКОВАЯ
- (SLO) ZGORNJI TEČAJ Z LEŽAJEM
- (TR) RULMANLI ÜST MENTEŞE
- (AR) مفصل عالي مع المحمل
- (CHN) 帶軸承的上鞍鏈
- (MAL) ENGSEL ATAS DENGAN BEARING
- (H) FELSŐ ZSANÉR CSAFÁGGYAL
- (IL) ציר מיסב עליון
- (BG) ГОРНА ПАНТА С ЛАГЕР ЗА ПОРТИ С КРИЛА
- (KO) 베어링이 있는 상단 경첩
- (SRB) GORNJA ŠARKA SA LEŽAJEM

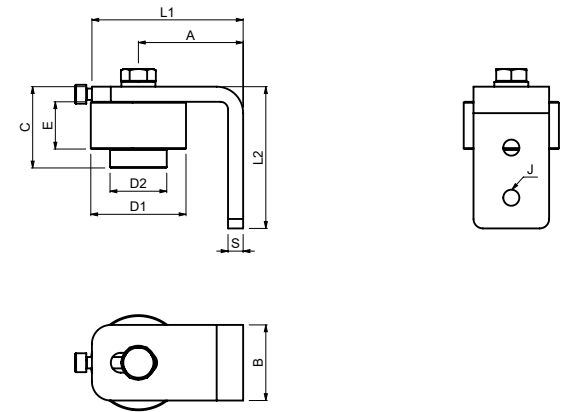
Art.	D1	D2	A min./max.	B	C	E	L	S	CAPACITY	1pc			CODE
											pcs	kg	
AB 50 A	50	30	75 - 85	40	42	21	100	10	420	0,66	10	6,6	1700112
AB 70 A	68	38	92 - 110	60	55	31	130	12	780	1,6	10	16	1700113



- (GB) LOWER HINGE WITH BEARINGS, SUPPORT
- (D) UNTERES SCHARNIER MIT LAGERN, STÜTZE
- (F) CHARNIÈRE INFÉRIEURE AVEC ROULEMENTS, SUPPORT
- (E) ARTICULACIÓN INFERIOR CON RODAMIENTOS, SOPORTE
- (P) DOBRADIČA INFERIOR COM ROLAMENTOS, SUPORTE
- (I) CERNIERA INFERIORE CON CUSCINETTI, SOSTEGNO
- (DK) NEDERSTE HÆNGSEL MED LEJER, STØTTE
- (NL) ONDERSTE STEUNPUNT MET LAGERS, STEUN
- (N) NEDRE HÆNGSLE MED LAGER, STØTTE
- (S) NEDRE GÅNGJÄRN MED LAGER, STÖD
- (FIN) ALASARANA LAAKEREILLA, TUKI
- (PL) ZAWIAS DOLNY Z ŁOŻYSKAMI, PODPARCIE
- (SK) SPODNÝ ZÁVES S LOŽISKAMI, PODPERA
- (EE) ALUMINE LIIGEND LAAGRITEGA, TUGI
- (LT) APATINIS LANKSTAS SU GUOLIAIS, ATRAMA
- (LV) AUGŠĒJĀ VIRĀ AR GULTĻIEM, BALSTS

- (CZ) PANT SPODNÍ LOŽISKOVÝ, S KONZOLOU
- (RO) BALAMA INFERIOARĂ CU LAGĂR DE ALUNECARE, SUPORT
- (HR) DONJA ŠARKA S LEŽAJEVIMA, POTPORANJ
- (RUS) НИЖНЯЯ ПЕТЛЯ С ПОДШИПНИКАМИ, С КРОНШТЕЙНОМ
- (SLO) SPODNJI TEČAJ Z LEŽAJI, PODPORNİK
- (TR) RULMANLI ALT MENTEŞE, DESTEK
- (AR) مفصلة سفلية مع المحامل، دعامة
- (CHN) 配有轴承、支架的下铰链
- (MAL) ENGSEL RENDAH DENGAN BEARING, SOKONGAN
- (H) ALSÓ ZSANÉR CSAPÁGGYAL, MEGTÁMASZTÁSSAL
- (IL) ציר תחתון עם מסיב, ותמיכה
- (BG) ДОЛНА ПАНТА С ЛАГЕРИ, ПОДДЪРЖАЩА
- (KO) 베어링이 있는 하단 경첩, 지지대
- (SRB) DONJA ŠARKA SA LEŽAJIMA, NOSAČ

Art.	D1	L1	L2	A min./max.	B	C	J	S	CAPACITY	1pc	📦		CODE
	∅			mm			∅	mm	kg	kg	pcs	kg	
AB 50 LSU	50	80	75	50 - 65	40	41	9	8	250	0,78	10	7,8	1700252
AB 70 LSU	68	100	85	50 - 65	60	51	11	10	350	1,75	6	10,5	1700253

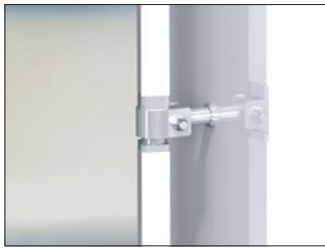
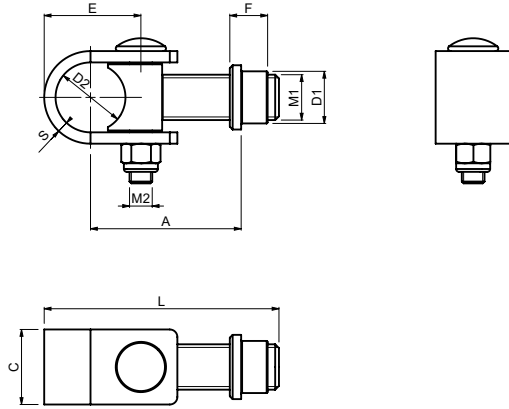
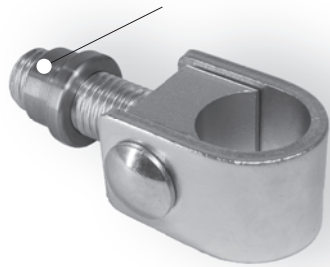


- (GB) UPPER HINGE WITH BEARINGS, SUPPORT
- (D) OBERES SCHARNIER MIT LAGERN, STÜTZE
- (F) CHARNIÈRE SUPÉRIEURE AVEC ROULEMENTS, SUPPORT
- (E) ARTICULACIÓN SUPERIOR CON RODAMIENTOS, SOPORTE
- (P) DOBRADIČA SUPERIOR COM ROLAMENTOS, SUPORTE
- (I) CERNIERA SUPERIORE CON CUSCINETTI, SOSTEGNO
- (DK) ØVERSTE HÆNGSEL MED LEJER, STØTTE
- (NL) BOVENSTE STEUNPUNT MET LAGERS, STEUN
- (N) ØVRE HÆNGSLE MED LAGER, STØTTE
- (S) ØVRE GÅNGJÄRN MED LAGER, STÖD
- (FIN) YLÄSARANA LAAKEREILLA, TUKI
- (PL) ZAWIAS GÓRNY Z ŁOŻYSKAMI, PODPARCIE
- (SK) HORNÝ ZÁVES S LOŽISKAMI, PODPERA
- (EE) ÜLEMINE LIIGEND LAAGRITEGA, TUGI
- (LT) VIRŠUTINIS LANKSTAS SU GUOLIAIS, ATRAMA
- (LV) APAKŠĒJĀ VIRĀ AR GULTĻIEM, BALSTS

- (CZ) PANT HORNÍ LOŽISKOVÝ, S KONZOLOU
- (RO) BALAMA SUPERIOARĂ CU LAGĂR DE ALUNECARE, SUPORT
- (HR) GORNJA ŠARKA S LEŽAJEVIMA, POTPORANJ
- (RUS) ВЕРХНЯЯ ПЕТЛЯ С ПОДШИПНИКАМИ, С КРОНШТЕЙНОМ
- (SLO) ZGORNJI TEČAJ Z LEŽAJI, PODPORNİK
- (TR) RULMANLI ÜST MENTEŞE, DESTEK
- (AR) مفصلة علوية مع المحامل، دعامة
- (CHN) 配有轴承、支架的上铰链
- (MAL) ENGSEL ATAS DENGAN BEARING, SOKONGAN
- (H) FELSŐ ZSANÉR CSAPÁGGYAL, MEGTÁMASZTÁSSAL
- (IL) ציר עליון עם מסיב, ותמיכה
- (BG) ГОРНА ПАНТА С ЛАГЕРИ, ПОДДЪРЖАЩА
- (KO) 베어링이 있는 상단 경첩, 지지대
- (SRB) GORNJA ŠARKA SA LEŽAJIMA, NOSAČ

Art.	D1	D2	L1	L2	A min./max.	B	C	E	J	S	CAP.	1pc	📦		CODE
	∅				mm				∅	mm	kg	kg	pcs	kg	
AB 50 ASU	50	30	80	75	50 - 65	40	40	21	9	8	350	0,7	10	7	1700254
AB 70 ASU	68	38	100	85	50 - 65	60	53	31	11	10	550	1,65	6	9,9	1700255

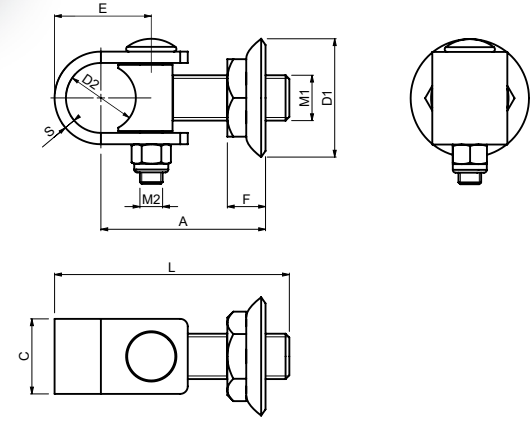
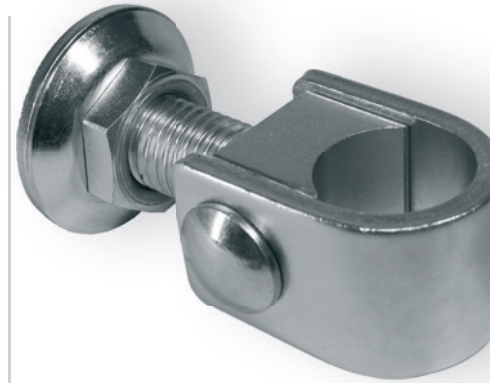
ungalvanized



- (GB) ADJUSTABLE „C” CLAMP HINGE WITH NUTS FOR STEEL COLUMNS
- (D) EINSTELLBARES „C”-KLEMSCHARNIER MIT MUTTERN FÜR STAHLSÄULEN
- (F) CHARNIÈRE DE SERRAGE RÉGLABLE EN „C” AVEC ÉCROUS POUR COLONNES EN ACIER
- (E) ARTICULACIÓN CON SUJECIÓN EN “C” AJUSTABLE CON TUERCAS PARA COLUMNAS DE ACERO
- (P) DOBRADIÇA AJUSTÁVEL „C” COM PORCAS PARA COLUNAS DE AÇO
- (I) CERNIERA REGOLABILE CON COLLARE A „C” CON DADI PER MONTANTI IN ACCIAIO
- (DK) INDSTILLELIGT “C” KLAMPEHÆNGSEL MED MØTRIKKER TIL STÅLSØJLER
- (NL) VERSTELBARE “C” KLEMSCHARNIER MET MOEREN VOOR STALEN KOLOMMEN
- (N) JUSTERBAR „C” KLEMMHENGSEL MED MUTTERE FOR STÅLSØYLER
- (S) JUSTERBART KLÄMGÅNGJÄRN „C” MED MUTTRAR FÖR STÅLSTOLPAR
- (FIN) SÄÄDETTÄVÄ “C”-KIINNITTIMEN SARANA MUTTEREILLA TERÄSPYLVAISIIN
- (PL) REGULOWANY ZAWIAS Z OBEJMA „C” Z NAKRĘTKAMI DO SŁUPKÓW STALOWYCH
- (SK) NASTAVITELNÝ UPINÁČI ZÁVES V TVARE „C” S MATICAMI PRE OCELOVÉ STĽPY
- (EE) REGULĒERITAV “C”-KLAMBRI LIIGEND MUTRITEGA TERASSAMMASTE JAOKS
- (LT) REGULIUJAMAS „C” FORMOS LANKSTAS SU SPAUSTUVU IR VERŽLEMIS PLIENINIAMS STULPAMS
- (LV) REGULĒJAMA “C” VEIDA SKAVAS VIRA AR UZGRIEZNIEM TĒRAUDA STABIEM

- (CZ) PANT REGULOVATELNÝ OSOVÝ S TRĚNEM, MATKOU PRO KOVOVÉ SLOUPY
- (RO) BALAMA REGLABILĂ DE PRINDERE ÎN FORMĂ DE „C” CU PIULIȚE, PENTRU COLOANE METALICE
- (HR) PRILAGODLJIVA “C” STEZNA ŠARKA SA MATICAMA ZA ČELIČNE STUPOVE
- (RUS) РЕГУЛИРУЕМАЯ ОСЕВАЯ ПЕТЛЯ «С» СО СКОБОЙ И ГАЙКАМИ ДЛЯ МЕТАЛЛИЧЕСКИХ СТОЛБОВ
- (SLO) NASTAVLJIVI TEČAJ S “C” SPONO Z MATICAMI ZA JEKLENE STEBRE
- (TR) ÇELİK SÜTUNLAR İÇİN SOMUNLARLA AYARLANABİLİR „C” KELEPÇELİ MENTEŞE
- (AR) مفصلة شريك قابلة للتعديل على شكل حرف “C” مع الصواميل للأعمدة المعدنية من الصلب
- (CHN) 配有鋼柱螺母的可調節C型夾持較鏈
- (MAL) ENGSEL CENGKAM “C” BOLEH LARAS DENGAN NAT UNTUK KOLUM KELULU
- (H) ÁLLÍTHATÓ C-BEFOGÁSÚ ZSANÉR ANYÁKKAL ACÉL OSZLOPOKHOZ
- (IL) ציר מתכוונן עם סגר צורת C עם אומים למסוקי פלדה
- (BG) РЕГУЛИРУЕМА ПАНТА C “C”-ОБРАЗНА СКОБА С ГАЙКА ЗА СТОМАХЕНИ КОЛОНИ
- (KO) 강철 기둥용 조절식 “C”자형 클램프 경첩 및 너트
- (SRB) PODESIVA ŠARKA „C” OBJUJMICE SA NAVRTKAMA ZA ČELIČNE STUBOVE

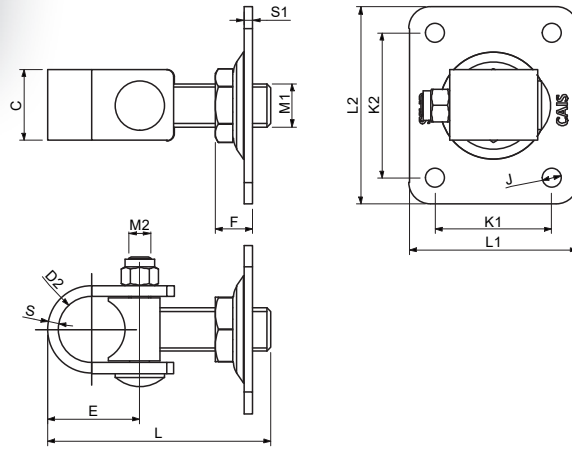
Art.	M1	A min./max.	C	D1	D2	E	F	M2	L	S	CAPACITY OF COUPLE HINGES	1pc		CODE	
		mm		Ø							kg	kg	pcs	kg	
H 40	M24	55 - 84	40	29	35	48	21	M12	121	6	240	0,76	10	7,6	1700244



- (GB) ADJUSTABLE „C” CLAMP HINGE WITH NUTS AND WASHER FOR STEEL COLUMNS
- (D) TORBAND FÜR SCHMIEDEEISERNE TORE, FÜR EISENSTEHER
- (F) GOND RÉGLABLE À COLLIER AVEC ÉCROUS ET RONDELLE POUR PILIERS EN ACIER
- (E) BISAGRA DE SUJECIÓN EN “C” AJUSTABLE CON PERNOS Y ARANDELA PARA COLUMNAS DE ACERO
- (P) DOBRADIÇA COM GRAMPO EM “C” AJUSTÁVEL COM PORCAS E ARRUELA PARA COLUNAS DE AÇO
- (I) CERNIERA REGOLABILE CON COLLARE A “C”, CON DADI E RONDELLA, PER MONTANTI IN ACCIAIO
- (DK) INDSTILLELIGT “C” KLAMPEHÆNGSEL MED MØTRIKKER OG SPÆNDESKIVE TIL STÅLSØJLER
- (NL) VERSTELBARE “C” KLEM SCHARNIER MET MOEREN EN SLUITRING VOOR STALEN KOLOMMEN
- (N) JUSTERBART “C”-FJÆRHENGSEL MED MUTTERE OG SKIVE TIL STÅLSØYLER
- (S) JUSTERBART “C” KLÄMGÅNGJÄRN MED MUTTRAR OCH BRICKOR FÖR STÅLSTOLPAR
- (FIN) SÄÄDETTÄVÄ “C” – SARANA MUTTEREILLA JA ALUSLAATALLA TERÄSPYLVAISIIN
- (PL) REGULOWANY ZAWIAS Z OBEJMA „C” Z NAKRĘTKAMI I PODKŁADKĄ DO SŁUPKÓW STALOWYCH
- (SK) PÁNT REGULOVATELNÝ OSOVÝ SO STRMEŇOM, MATICOU A PODLOŽKOU PRE KOVOVÉ STĽPY
- (EE) REGULĒERITAV “C” KLAMBRI LIIGEND MUTRITE JA SEIBIGA TERASSAMMASTE JAOKS
- (LT) REGULIUJAMAS „C” FORMOS LANKSTAS SU VERŽLEMIS IR POVERŽLE PLIENINIAMS STULPAMS
- (LV) REGULĒJAMA “C” VEIDA SKAVAS VIRA AR UZGRIEZNIEM UN PAPĻAKSNI TĒRAUDA STABIEM

- (CZ) PANT REGULOVATELNÝ OSOVÝ S TRĚNEM, MATKOU A PODLOŽKOU PRO KOVOVÉ SLOUPY
- (RO) BALAMA REGLABILĂ CLEMĂ „C” CU PIULIȚE ȘI ȘAIBĂ PENTRU COLOANELE DE OȚEL
- (HR) PRILAGODLJIVI ZGLOB „C” OBJUJMICE S MATICOM I PODLOŠKOM, ZA ČELIČNE STUPOVE
- (RUS) РЕГУЛИРУЮЩАЯСЯ ОСЕВАЯ ПЕТЛЯ СО СКОБОЙ, ГАЙКОЙ И ШАЙБОЙ ДЛЯ МЕТАЛЛИЧЕСКИХ СТОЛБОВ
- (SLO) NASTAVLJIVI TEČAJ S “C” SPONO Z MATICAMI IN PODLOŽKO ZA JEKLENE STEBRIČKE
- (TR) ÇELİK SÜTUNLAR İÇİN SOMUN VE CANTALI AYARLANABİLİR “C” KELEPÇE MENTEŞESİ
- (AR) قابل لضبط مع الصواميل والحلقة الفولاذية للعمود الفولاذية “C” مفصل مارم
- (CHN) 鋼柱可調“C”型夾帶螺母墊圈較鏈
- (MAL) ENGSEL PENGAPIT “C” BOLEH LARAS DENGAN NAT DAN SESENDAL UNTUK TIANG KELULU
- (H) ÁLLÍTHATÓ C-BEFOGÁSÚ ZSANÉR ANYÁKKAL ÉS ALÁTÉTEL, ACÉL OSZLOPOKHOZ
- (IL) ציר מתכוונן עם הדק
- (BG) РЕГУЛИРУЕМА ПАНТА “C”-ОБРАЗНА СКОБА С ГАЙКА И ШАЙБА ЗА СТОМАХЕНИ КОЛОНИ
- (KO) 강철 기둥용 조절식 “C”자형 클램프 경첩 및 너트, 와셔
- (SRB) PODESIVA ŠARKA „C” OBJUJMICE SA NAVRTKOM I PODLOŠKOM ZA ČELIČNE STUBOVE

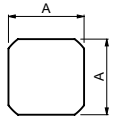
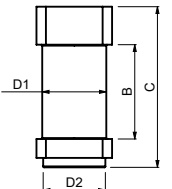
Art.	M1	A min./max.	C	D1	D2	E	F	M2	L	S	CAPACITY OF COUPLE HINGES	1pc		CODE	
		mm		Ø							kg	kg	pcs	kg	
HN 40	M24	71 - 99	40	60	35	48	22	M12	121	6	240	0,88	10	8,8	1700108



- (GB) ADJUSTABLE „C” CLAMP HINGE WITH PLATE, FIXED
 (D) EINSTELLBARES „C”-KLEMSCHARNIER MIT PLATTE, FEST
 (F) CHARNIÈRE DE SERRAGE RÉGLABLE EN „C” AVEC PLAQUE, FIXE
 (E) ARTICULACIÓN CON SUJECCIÓN EN “C” AJUSTABLE CON PLACA, FIJADA
 (P) DOBRADIÇA AJUSTÁVEL DA BRAÇADEIRA „C” COM PLACA, FIXA
 (I) CERNIERA REGOLABILE CON COLLARE A „C” CON PIASTRA, FISSA
 (DK) INDSTILLELIGT “C” KLAMPEHÆNGSEL MED PLADE, FASTJORT
 (NL) VERSTELBARE “C” KLEMSCHARNIER MET PLAAT, VASTGESCHROEFD
 (N) JUSTERBAR „C” KLEMMHENGSELE MED PLATTE, FAST
 (S) JUSTERBART KLÄMGÅNGJÄRN „C” MED PLATTA, FAST
 (FIN) SÄÄDETTÄVÄ “C”-KIINNITTIMEN SARANA LEVYLLÄ, PYSYVÄ
 (PL) REGULOWANY ZAWIAS Z OBEJMA „C” Z PŁYTKĄ, MOCOWANY
 (SK) NASTAVITELNÝ KLBOVÝ ZÁVES V TVARE „C” S DOSKOU, PEVNÝ
 (EE) REGULEERITAV “C”-KLAMBRI LIIGENDI PLAADIGA, FIKSEERITUD
 (LT) REGULIUOJAMAS „C” FORMOS LANKSTAS SU SPAUSTUVU IR PLOKŠTELE, FIKSUOTAS
 (LV) REGULĒJAMA “C” VEIDA SKAVAS VIRA AR PLĀKŠNI, FIKSĒTA

- (CZ) PANT REGULOVATELNÝ OSOVÝ S TRĚNEMEM, PLOTNOU PRO ZDĚNÉ A KOVOVÉ SLOUPY
 (RO) BALAMA REGLABILĂ DE PRINDERE ÎN FORMĂ DE „C” CU PLACĂ, FIXĂ
 (HR) PRILAGODLJIVA “C” STEZNA ŠARKA S PLOČOM, FIKSIRANI
 (RUS) РЕГУЛИРУЕМАЯ ОСЕВАЯ ПЕТЛЯ «С» СО СКОБОЙ И ПЛАСТИНОЙ, ПРИКРУЧИВАНИЕ ВИНТАМИ
 (SLO) NASTAVLJIVI TEČAJ S “C” SPONO S PLOŠČO, FIKSNI
 (TR) PLAKAYLA AYARLANABİLİR „C” KELEPÇELİ MENTEŞE, SABİT
 (AR) مفصلة متشابكة على شكل حرف “C” مع اللوحة، ثابتة
 (CHN) 可调节C型夹持铰链，固定式
 (MAL) ENGSEL CENGKAM “C” BOLEH LARAS DENGAN PLAT, TERIKAT
 (H) ÁLLÍTHATÓ C-BEFOGÁSÚ ZSANÉR LEMEZZEL, RÖGZÍTETT
 (IL) ציר מתכוונן עם סגר צורת C ופלטת, קבוע
 (BG) РЕГУЛИРУЕМА ПАХТА С “C”-ОБРАЗНА СКОБА С ПЛАНКА, ФИКСИРАНА
 (KO) 조절식 “C”자형 클램프 경첩 및 플레이트, 고정식
 (SRB) PODESIVA ŠARKA „C” OBUJIMICE SA PLOČOM, UGRADNJA ZAVRTNJIMA

ungalvanized

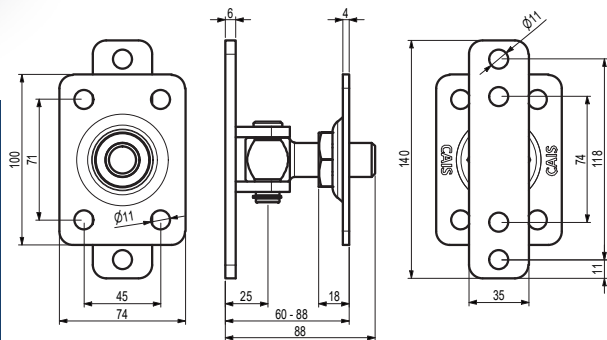


- (GB) GATE JOINT FOR „C” CLAMP TYPE HINGES
 (D) BOLZEN FÜR TORBAND
 (F) AXE DE PORTE POUR GONDS À COLLIER
 (E) JUNTA DE PUERTA PARA BISAGRAS DE TIPO SUJECCIÓN “C”
 (P) JUNTA DE PORTÃO PARA DOBRADIÇAS COM GRAMPO EM “C”
 (I) GIUNTO PER CANCELLO PER CERNIERE DEL TIPO CON COLLARE A “C”
 (DK) PORTSAMLING TIL “C” KLAMPE TYPE HÆNGSLER
 (NL) HEK VERBINDINGSSTUK VOOR “C” KLEM TYPE SCHARNIEREN
 (N) PORT SKJØTEPUNKT FOR „C”-FJÆRHENGSLER
 (S) GRINDLED FÖR “C” KLÄMGÅNGJÄRN
 (FIN) PORTIN LIITOS “C”-SARANOIHIN
 (PL) ŁĄCZNIK BRAMY DO ZAWIASÓW Z OBEJMA „C”
 (SK) ČAP OSOVÝ PRE PÁNT
 (EE) VÄRAVAÜHENDUS “C” KLAMBRI-TÜÜPI LIIGENDITE JAOKS
 (LT) VARTUJ JUNGTIŠ „C” FORMOS LANKSTAMS SU SPAUSTUVU
 (LV) VĀRTU SAVIENOJUMS “C” VEIDA SKAVAS VIRĀM

- (CZ) ČEP OSOVÝ PRO PANT
 (RO) ÎMBINARE POARTĂ PENTRU BALAMALELE DE TIP CLEMĂ „C”
 (HR) SPOJNICA VRATA ZA ZGLOB „C” OBUJIMICE
 (RUS) ОСЕВАЯ ВТУЛКА ДЛЯ ОСЕВОЙ ПЕТЛИ
 (SLO) SORNIK ZA TEČAJE S “C” SPONO
 (TR) “C” KELEPÇE TİPİ MENTEŞELER İÇİN BAHÇE KAPISI BAĞLANTI PARÇASI
 (AR) وصلة البوابية الخاصة بالمفصلات من النوع المراد
 (CHN) “C”型夹铰链门接合
 (MAL) SAMBUNGAN PINTU PAGAR UNTUK ENGSEL JENIS PENGAPIT “C”
 (H) KAPURÖGZÍTŐ-ELEM C-BEFOGÁSÚ ZSANÉROKHOZ
 (IL) בוקסה לציר מתכוונן עם חבק
 (BG) БОЛТ ЗА ПАХТА ЗА “C”-ОБРАЗНА СКОБА
 (KO) “C”자형 클램프 경첩용 게이트 조인트
 (SRB) SPOJNICA VRATA ZA ŠARKU „C” OBUJIMICE


Art.	M1	L1	L2	A min./max.	L	C	D2	E	F	J	M2	K1	K2	S	S1	CAPACITY OF COUPLE HINGES	1pc	CODE		
				mm			∅	mm	∅		mm	mm	mm			kg	kg	pcs	kg	
HP 40 R	M24	94	110	71 - 99	121	40	35	48	22	11	M12	65	81	6	5	240	1,15	10	11,5	1700245

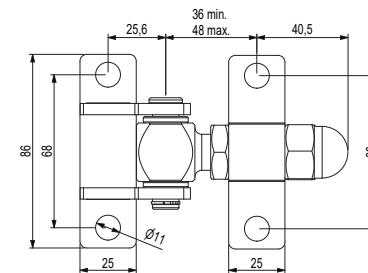
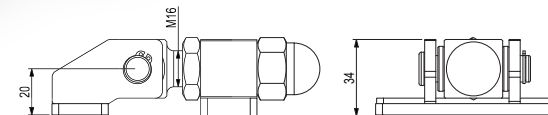
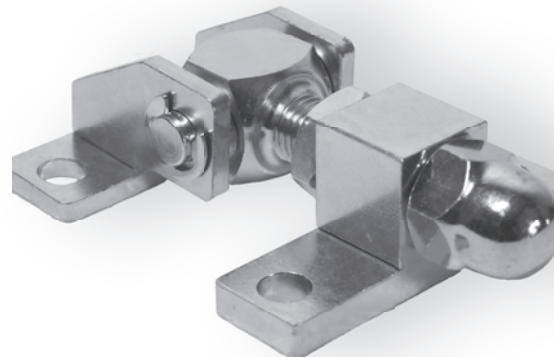
Art.	A	B	C	D1	D2	1pc	CODE		
						kg	pcs	kg	
HP 40	40	45	80	34	33	0,71	10	7,1	1700109



- (GB) BOLT-ON SLIM FRAME HINGE (NON WELD)
- (D) SLIM-FRAME-BOLZENSCHARNIER (SCHWEISSUNGSFREI)
- (F) CHARNIÈRE À PROFIL ÉTROIT À BOULONNER (SANS SOUDURE)
- (E) BISAGRA ATORNILLABLE DE BASTIDOR ESTRECHO (SIN SOLDADURA)
- (P) DOBRADIČA DE ESTRUTURA FINA APARAFUSADA (SEM SOLDADURA)
- (I) CERNIERA SOTTILE IMBULLONATA PER TELAIO (NON SALDATA)
- (DK) SLANKT RAMMEBESLAG TIL FASTBOLTNING (UDEN SVEJSNING)
- (NL) SMAL SCHARNIER VOOR SCHROEFBEVESTIGING (NIET GELAST)
- (N) SLANK HENGSEL FOR RAMME, BOLTES PÅ (UTEN SVEISING)
- (S) SKRUVMONTERAT GÅNGJÄRN FÖR SMAL PROFIL (UTAN SVETSNING)
- (FIN) PÄÄLLIASENNETTAVA KAPEARUNKOINEN SARANA (EI-HITSATTAVA)
- (PL) PRZYKREĆANY ZAWIAS WĄSKIEJ RAMY (NIESPAWANY)
- (SK) SKRUTKOVACÍ ÚZKY RÁMOVÝ PÁNT (NEZVÁRANÝ)
- (EE) POLTIDEGA KINNITATAV ÕHUKE RAAMIHING (MITTEEKEEVITATAV)
- (LT) VARŽTAIS TVIRTINAMAS PLONAS RĖMO LANKSTAS (BE VIRINIMO)
- (LV) SKRŪVĒJAMS PLĀNS RĀMJĀ ŠARNĪRS (BEZ METINĀŠANAS)


- (CZ) PANT REGULOVATELNÝ S PLOTNOU PRO ZDĚNÉ A KOVOVÉ SLOUPKY K PŘÍŠROBOVÁNÍ
- (RO) BALAMALE CU CADRU SUBȚIRE CU FIXARE PRIN ȘURUBURI (FĂRĂ SUDURĂ)
- (HR) TANKA ŠARKA OKVIRA S VIJKOM (BEZ ZAVARA)
- (RUS) БОЛТОВАЯ ТОНКОПРОФИЛЬНАЯ НАВЕСНАЯ ПЕТЛЯ (НЕСВАРНАЯ)
- (SLO) PRIVOJNI TEČAJI OZKEGA OKVIRJA (BREZ VARJENJA)
- (TR) CIVATALI İNCE ÇERÇEVE MENTEŞE (KAYNAKLANMAMIŞ)
- (AR) مفصلة الإطار المثبتة بمسامير (غير ملحومة)
- (CHN) 螺栓式薄型框架铰链 (非焊接)
- (MAL) ENGSEL BINGKAI NIPIS DENGAN BOLT (TANPA KIMPALAN)
- (H) CSAVAROZHATÓ KESKENY ZSANÉR (NEM HEGESZTETT)
- (IL) ציר למסגרת צרה – הרכבה בהברגה (ללא ריתוך)
- (BG) ПАНТА ЗА ТЪНКА РАМКА С БОЛТОВЕ (БЕЗ ЗАВАРЯВАНЕ)
- (KO) 볼트 고정 슬림 프레임 힌지(비용접식)
- (SRB) TANKA ŠARKA OKVIRA S VIJKOM (BEZ ZAVARA)

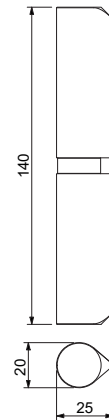
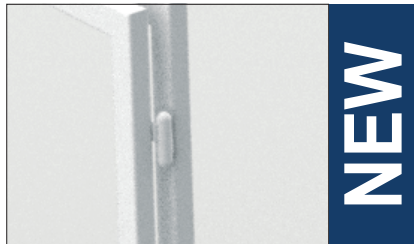
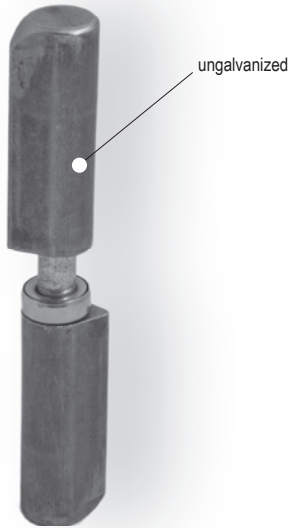
Art.	1pc	CAPACITY			CODE
	kg		1 pair/kg	pcs	
EDGE 20	0,8	120	10	8	1700408



- (GB) ADJUSTABLE BOLT-ON FRAME HINGE 180° OPENING (NON WELD)
- (D) VERSTELLBARES BOLZENRAHMENSCHARNIER MIT 180° ÖFFNUNG (NICHT GESCHWEISST)
- (F) CHARNIÈRE RÉGLABLE À BOULONNER, OUVERTURE À 180° (SANS SOUDURE)
- (E) BISAGRA AJUSTABLE ATORNILLABLE PARA BASTIDOR CON APERTURA DE 180° (SIN SOLDADURA)
- (P) DOBRADIČA DE ESTRUTURA APARAFUSADA AJUSTÁVEL COM ABERTURA DE 180° (SEM SOLDADURA)
- (I) CERNIERATELAIOIMBULLONATAREGOLABILEPERAPERTURAA180° (NON SALDATA)
- (DK) JUSTERBART RAMMEBESLAG TIL FASTBOLTNING MED 180°-ÅBNING (UDEN SVEJSNING)
- (NL) VERSTELBAAR SCHARNIER VOOR SCHROEFBEVESTIGING MET 180°-OPENING (NIET GELAST)
- (N) JUSTERBART HENGSEL FOR RAMME, BOLTES PÅ, 180° ÅPNING (UTEN SVEISING)
- (S) JUSTERBART SKRUVMONTERAT GÅNGJÄRN 180°-ÖPPNING (UTAN SVETSNING)
- (FIN) SÄÄDETTÄVÄ PÄÄLLIASENNETTAVA RUNKOSARANA 180° (EI-HITSATTAVA)
- (PL) REGULOWANY, PRZYKREĆANY ZAWIAS RAMY OTWIERANY POD KĄTEM 180° (NIESPAWANY)
- (SK) NASTAVITELNÝ SKRUTKOVACÍ RÁMOVÝ PÁNT S OTVÁRANÍM 180° (NEZVÁRANÝ)
- (EE) POLTIDEGA KINNITATAV REGULIIRITAV 180° AVANEV RAAMI HING (MITTEEKEEVITATAV)
- (LT) REGULIUOJAMAS VARŽTAIS PRIE RĖMO TVIRTINAMAS 180° ATVERIAMAS LANKSTAS (BE VIRINIMO)
- (LV) REGULĒJAMS SKRŪVĒJAMS RĀMJĀ ŠARNĪRS, ATVERAMS 180° (BEZ METINĀŠANAS)


- (CZ) PANT REGULOVATELNÝ K PŘÍŠROBOVÁNÍ, OTEVŘENÍ 180°
- (RO) BALAMALE REGLABILE CU FIXARE PRIN ȘURUBURI, CU DESCHIDERE LA 180° (FĂRĂ SUDURĂ)
- (HR) PODESIVA ŠARKA OKVIRA S VIJKOM, OTVARANJE OD 180° (BEZ ZAVARA)
- (RUS) РЕГУЛИРУЕМАЯ БОЛТОВАЯ НАВЕСНАЯ ПЕТЛЯ (НЕСВАРНАЯ) С ВОЗМОЖНОСТЬЮ РАСКРЫТИЯ НА 180°
- (SLO) NASTAVLJIVI PRIVOJNI TEČAJ OKVIRJA 180° (BREZ VARJENJA)
- (TR) AYARLANABİLİR CIVATALI ÇERÇEVE MENTEŞESİ 180° AÇILMA (KAYNAKLI DEĞİL)
- (AR) مفصلة الإطار المثبتة بمسامير والقبيلة للضغط بزاوية فتح 180° (غير ملحومة)
- (CHN) 可调螺栓连接框架铰链180°开口 (非焊接)
- (MAL) ENGSEL BINGKAI DENGAN BOLT BOLEH LARAS BUKAAN 180° (TANPA KIMPALAN)
- (H) ÁLLÍTHATÓ CSAVAROZHATÓ ZSANÉR 180°-OS NYITÁSSAL (NEM HEGESZTETT)
- (IL) ציר למסגרת – פתיחה של 180° – הרכבה בהברגה (ללא ריתוך)
- (BG) РЕГУЛИРУЕМА ПАНТА ЗА РАМКА С БОЛТОВЕ, ОТВАРЯЩА СЕ НА 180° (БЕЗ ЗАВАРЯВАНЕ)
- (KO) 180° 개방형 조정식 볼트 고정 프레임 힌지(비용접식)
- (SRB) PODESIVA ŠARKA OKVIRA S VIJKOM, OTVARANJE OD 180° (BEZ ZAVARA)

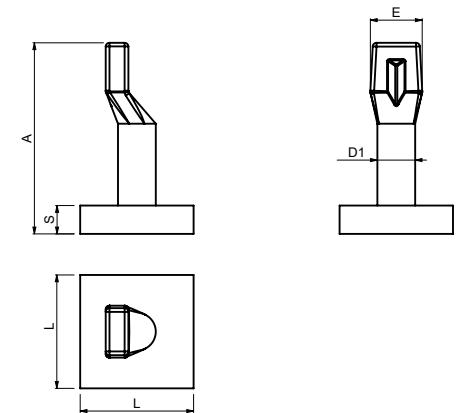
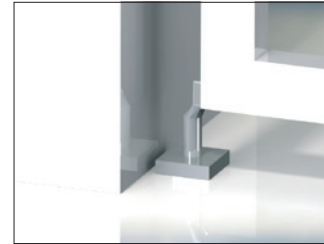
Art.	1pc	CAPACITY			CODE
	kg		1 pair/kg	pcs	
FOLD 16	0,66	80	10	6,6	1700364



- (GB) BULLET HINGE, BEARING WASHER STEEL PIN
- (D) KUGELSCHARNIER, LAGERSCHEIBEN-STAHLSSTIFT
- (F) CHARNIÈRE À BILLE, GOUPILLE EN ACIER POUR RONDELLE DE ROULEMENT
- (E) BISAGRA DE ELEVACIÓN, PASADOR DE ACERO DE ARANDELA DE COJINETE
- (P) DOBRADIČA, PINO DE AÇO DA ARRUELA DE ROLAMENTO
- (I) CERNIERA A BULLET, PERNO IN ACCIAIO CON RONDELLA DEL CUSCINETTO
- (DK) KUGLEHÆNGSEL, LEJESKIVE-STÅLSSTIFT
- (NL) KOGELSCHARNIER, STALEN PEN VOOR DRAGENDE SLUITRING
- (N) KULEHENGSEL, LAGERSKIVE STÅLPINNE
- (S) KULGÅNGJÄRN, LAGERBRICKA STÅLSSTIFT
- (FIN) KUULASARANA, LAAKERIN ALUSLEVYN TERÄSTAPPI
- (PL) ZAWIAS CYLINDRYCZNY, STAŁOWY BOLEC PODKŁADKI ŁOŻYSKA
- (SK) OKRÚHLÝ PÁNT, LOŽISKOVÁ PODLOŽKA NA OCELOVÝ ČAP
- (EE) KUULHING LAAGRISEIBI JA TERASTAPIGA
- (LT) PLIENINIS LANKSTAS SU ATRAMINE POVERŽLE
- (LV) VIRA AR TĒRAUDA ADATU UN GULTNI


- (CZ) PANT VRATOVÝ S LOŽISKEM
- (RO) BALAMA APLICATĂ, ȘAIBĂ DE UZURĂ DIN OȚEL
- (HR) SPOJNICA ZA VRATA S LEŽAJEM I ČELIČNIM KLINOM
- (RUS) РАЗЪЕМНАЯ ПЕТЛЯ, ПОДШИПНИК С ШАЙБОЙ СО СТАЛЬНЫМ ШТИФТОМ
- (SLO) KROGLASTI TEČAJ, PODLOŽKA LEŽAJA, JEKLENO NASADILO
- (TR) ÖZEL PROFİL MİL MENTEŞE, YATAK PULU ÇELİK PİM
- (AR) مفصلة منحنية، مسامير صلب في قلعة الحمل
- (CHN) 子弹铰链、轴承垫圈钢销
- (MAL) ENGSEL PELURU, PIN BESI SESENDAL BEARING
- (H) CSUKLÓSPÁNT, CSAPÁGY ALÁTÉT ACÉLCSAP
- (IL) ציר תבליט, פין פלדה עבור מסב הרוטון
- (BG) ШАРНИРНА ПАНТА, СТОМАНЕН ШЦИФ НА НОСЕЦАТА ШАЙБА
- (KO) 총알형 경첩, 베어링 와셔 스틸 핀
- (SRB) BRAVARSKA ŠARKA, ČELIČNI ZATIK PODLOŠKE LEŽAJA

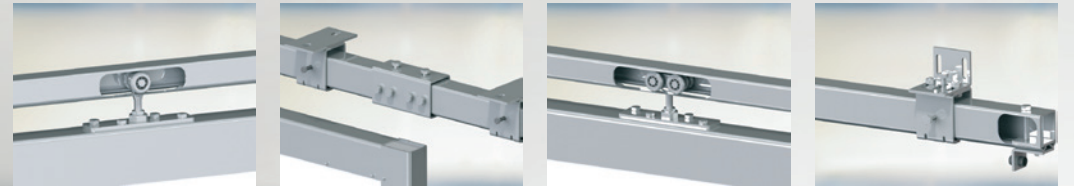
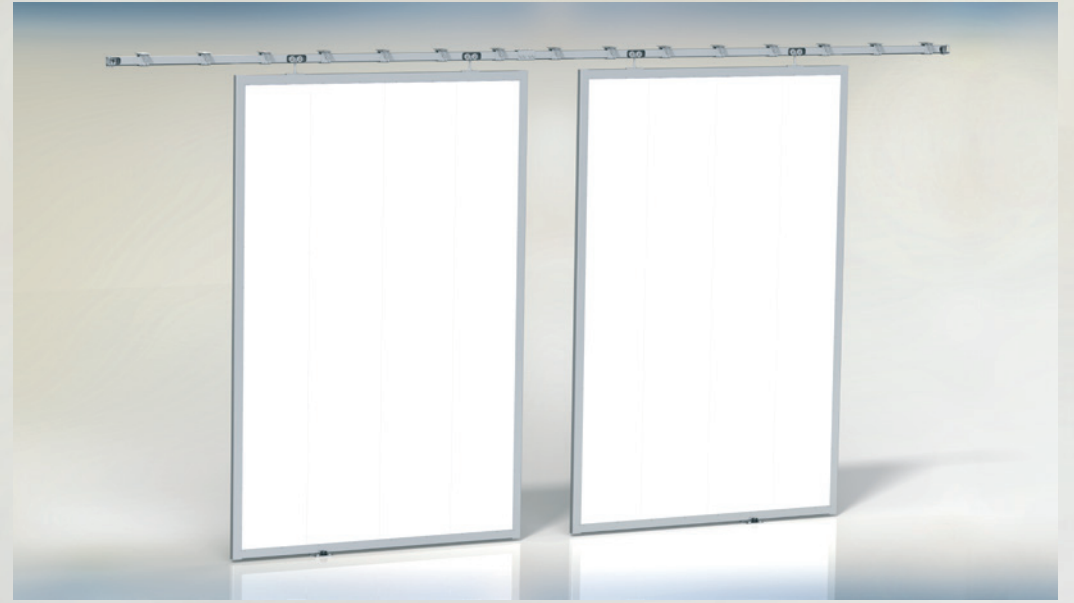
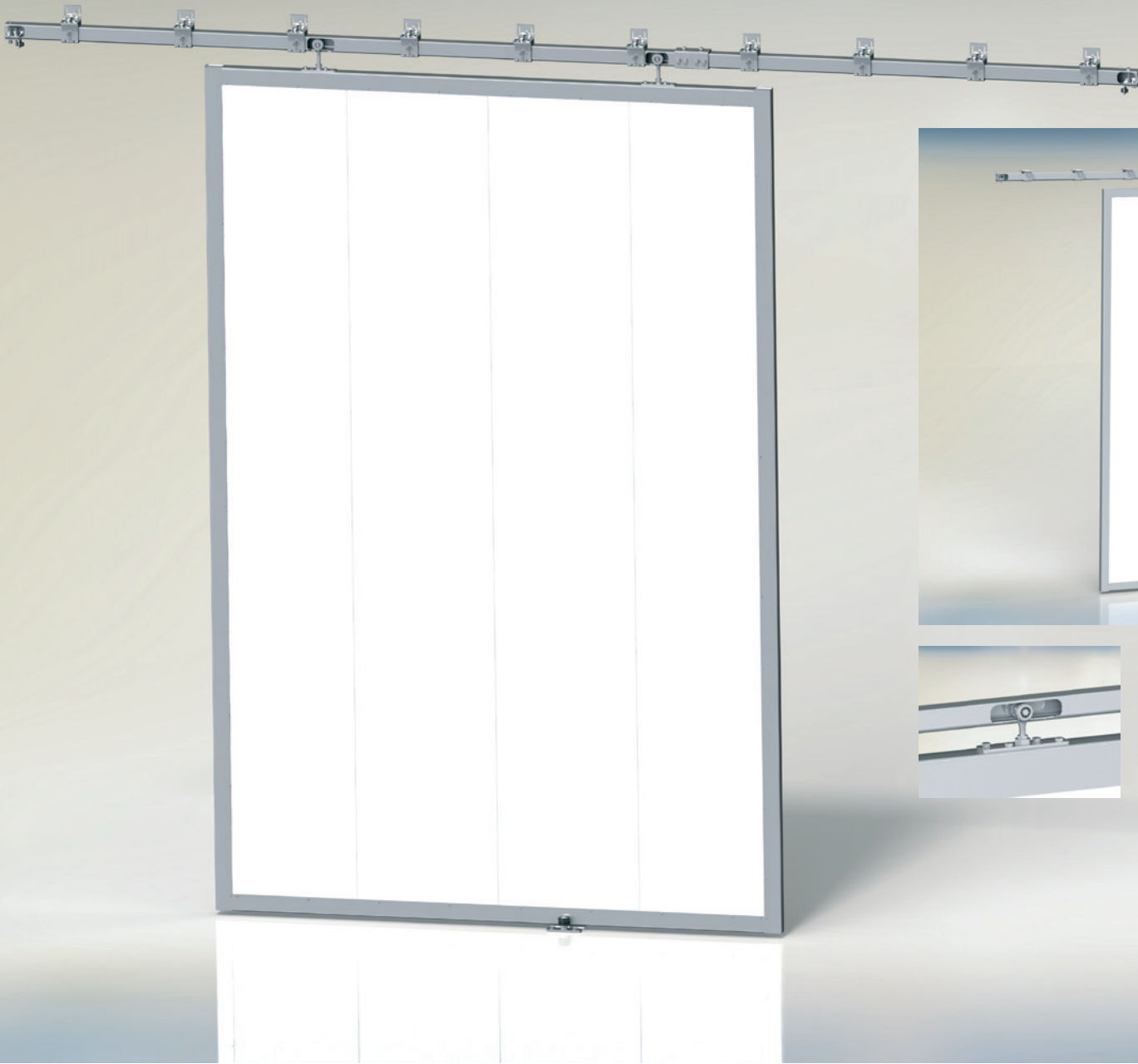
Art.	1pc	CAPACITY			CODE
			pcs	kg	
HTW 140	kg	1 pair/kg	10	3,2	1700363



- (GB) LOWER HINGE PIN AND BRACKET
- (D) UNTERES BOLZENBAND FÜR DREHTORE
- (F) GOND À PIVOT INFÉRIEUR ET PLAQUE
- (E) CLAVIJA Y SOPORTE DE BISAGRA INFERIOR
- (P) PINO E SUPORTE DA DOBRADIÇA INFERIOR
- (I) PERNO E STAFFA PER CERNIERA INFERIORE
- (DK) NEDERSTE HÆNGSELSTIFT OG BESLAG
- (NL) ONDERSTE DRAAIPUNT EN STEUNPLAAT
- (N) PINNE OG BRACKETT NEDRE HENGSEL
- (S) UNDRÉ GANGJÄRN STIFT OCH KONSOL
- (FIN) ALASARANAN TAPPI JA KANNATIN
- (PL) SWORZEŃ I WSPORNIK ZAWIASU DOLNEGO
- (SK) PÁNT SPODNÝ
- (EE) ALUMISE LIIGENDI TIHTV JA KLAMBER
- (LT) APATINIO LANKSTO KAIŠTIS IR GEMBĖ
- (LV) APAKŠĒJĀ VIRAS TAPA UN KRONŠTEINS

- (CZ) PANT SPODNÍ
- (RO) BOLȚ ȘI CONSOLĂ BALAMA INFERIOARĂ
- (HR) KLIN I KONZOLA DONJEG ZGLOBA
- (RUS) ПЕТЛЯ НИЖНЯЯ
- (SLO) ZATIK IN KONZOLA ZA SPODNJI TEČAJ
- (TR) ALT MENTEŞE PİM VE DİRSEĞİ
- (AR) سادة ومسار المفصل المنخفض
- (CHN) 下铰链销与支架
- (MAL) PIN DAN PENDAKAP ENGSEL BAWAH
- (H) ALSÓ CSAPOS BEFOGÁS FORGÓAJTÓKHOZ
- (IL) ציר תחתון
- (BG) БОЛТ И СКОБА ЗА ДОЛНА ПАНТА
- (KO) 하단 경첩 핀 및 브래킷
- (SRB) KLIN I KONZOLA DONJE ŠARKE

Art.	D1	A	E	L	S	CAPACITY OF COUPLE HINGES	1pc			CODE
								pcs	kg	
SH 20	Ø	92	27	60	15	kg	kg	20	11,4	1700114
SH 24	20	101	33	70	20	140	0,57	20	19,2	1700115







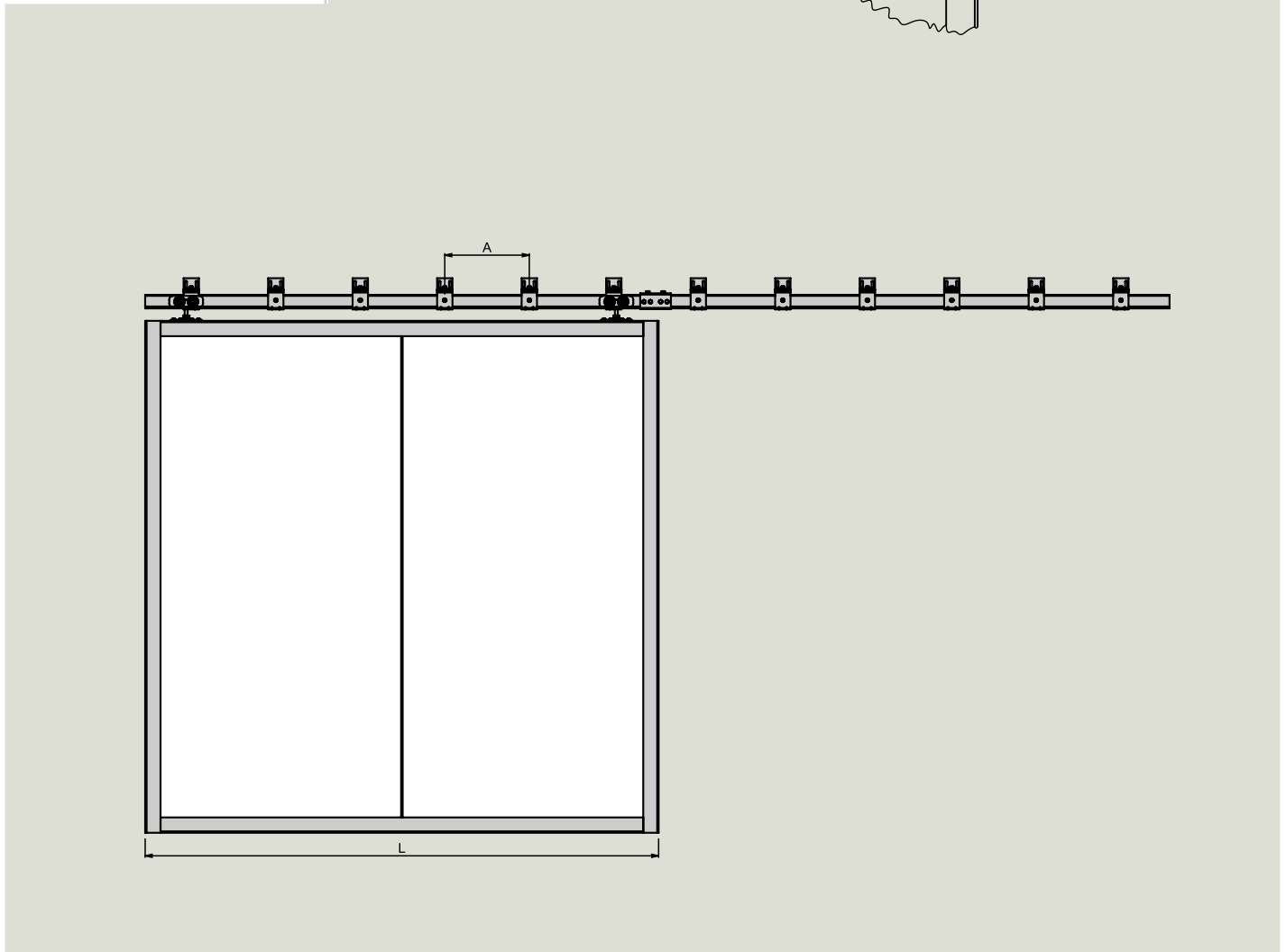
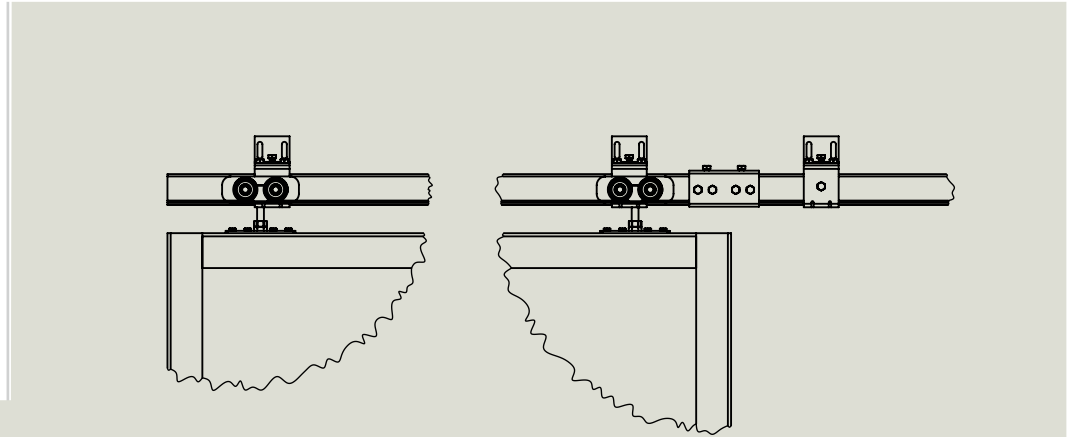
 **SLIDING DOORS**

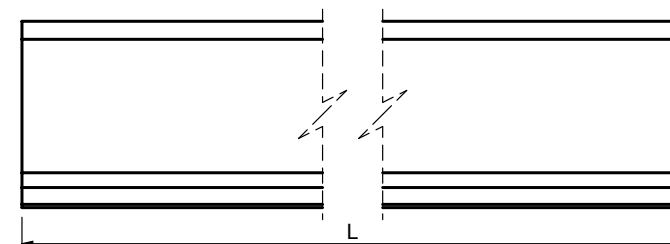
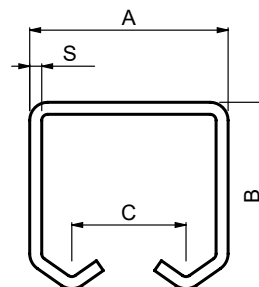
SLIDING DOOR HARDWARE

COMPONENTS AND DIMENSIONS - 2000 mm SLIDING DOOR					L	A	MAX. CAPACITY 2000 mm (*)	RECOMMENDED
CARRIAGE	GUIDE	SUPPORT	SUPPORT	CARRIAGE				
			pcs			mm		cycles / hour
2 SCF	STRELA 33	DB 33 DH 33	12	2	2000	330	45 kg	4
4 SCF	STRELA 33	DB 33 DH 33	12	2	2000	330	80 kg	4
2 SBK	STRELA 42	DB 42 DH 42	12	2	2000	330	160 kg	100
4 SBK	STRELA 42	DB 42 DH 42	12	2	2000	330	220 kg	100
2 SAK	STRELA 57	DB 57 DH 57	12	2	2000	330	220 kg	100
4 SAK	STRELA 57	DB 57 DH 57	12	2	2000	330	320 kg	100

(*) MAX. CAPACITY WITHOUT ADJUSTABLE SUPPORT PLATE DM

- D** GERMAN STEEL
- 270 g/m²** HOT DIPPED GALVANIZED
-  EASY ASSEMBLY
- NO LIMIT** LINEAR INSTALLATION WITHOUT LIMITS
-  + 50°C TESTED & PROVEN
-  - 37°C TESTED & PROVEN
- INT EXT** SUITABLE FOR INTERNAL AND EXTERNAL INSTALLATION
-  NO WELDING REQUIRED

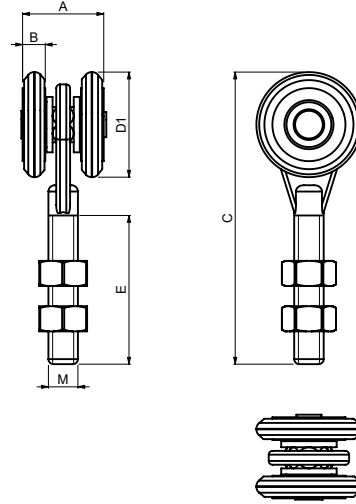
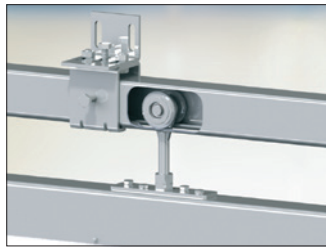




- (GB) „C“ PROFILE GUIDE FOR SLIDING DOORS AND SHUTTERS
 (D) „C“ PROFIL FÜR SCHIEBETÜREN- UND TÖRE
 (F) GUIDE PROFILÉ EN « C » POUR PORTES COULISSANTES ET VOLETS
 (E) GUÍA CON PERFIL EM “C” PARA POSTIGOS Y PUERTAS CORREDERAS
 (P) GUIA DE PERFIL EM “C” PARA PORTAS E PERSIANAS DESLIZANTES
 (I) GUIDA CON PROFILO A “C” PER PORTE E SERRANDE SCORREVOLI
 (DK) “C” PROFILVANGE TIL SKYVEDØRE OG LUKKERE
 (NL) “C” PROFIEL GELEIDER VOOR SCHUIFDEUREN EN LUIKEN
 (N) “C”-PROFILSKINNE TIL SKYVEDØRER OG -SKODDER
 (S) “C” GEJDPROFIL FÖR SKJUTBARA DÖRRAR OCH FÖNSTERLUCKOR
 (FIN) “C”-PROFILIN OHJAIN LIUKUOVIN JA -LUUKKUIHIN
 (PL) SZYNA O PROFILU „C” DO DRZWI PRZESUWNYCH I ŻALUZJI
 (SK) NOSNÝ „C” PROFIL PRE POSUVNÉ ZÁVESNÉ DVERE, BRÁNY A SVETLOLAMY
 (EE) “C”-PROFILI JUHIK LIUGUSTE JA -LUUKIDE JAKS
 (LT) „C” FORMOS PROFILIUOTAS KREIPTUVAS STUMDOMOSIOMS DURIMS IR LANGINĖMS
 (LV) “C” VEIDA PROFILS BĪDĀMĀJĀM DURVĪM UN AIZBĪDĒNIEM

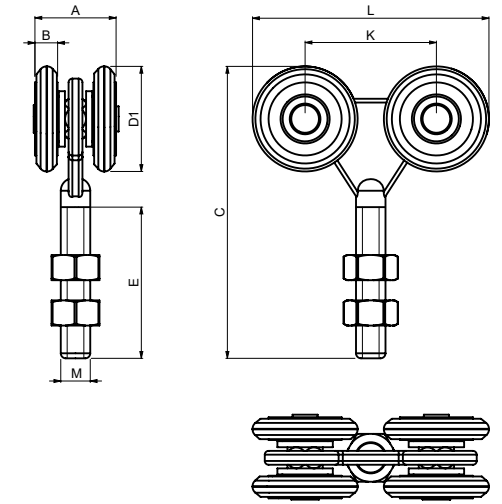
- (CZ) ŠÍNA „C” PROFIL PRO POSUVNÉ ZAVĚŠENÉ DVEŘE, VRATA A SVĚTLŮLAMY
 (RO) GHIDAJ PROFIL „C” PENTRU UȘILE GLISANTE ȘI ÎNCHIZĂTOARE
 (HR) VODILICA „C” PROFILA, ZA KLIZNA VRATA I ŽALUZINE
 (RUS) НАПРАВЛЯЮЩИЙ РЕЛЬС / ПРОФИЛЬ «С» ДЛЯ РАЗДВИЖНЫХ ПОДВЕСНЫХ ДВЕРЕЙ, ВОРОТ И ЖАЛЮЗЕЙ
 (SLO) “C” VODILO ZA DRŠNA VRATA IN ŽALUZIJE
 (TR) SÜRGÜLÜ KAPILAR VE OPTÜRATÖRLER İÇİN “C” PROFİL KIZAĞI
 (AR) الأواب والرففت المنزلة “C” دعامة نظلية جانية
 (CHN) 滑动门与百叶窗“C”型导轨
 (MAL) PANDU PROFIL “C” UNTUK PINTU DAN PENUTUP GELONGSOR
 (H) C-VEZETŐSÍN TOLÓAJTÓKHOZ ÉS ZSILÍPEKHEZ
 (IL) מסילה עליונה לזרזות הזזה, שערות ותריסים
 (BG) “C”-ОБРАЗНА РЕЛСА ЗА ПЛЪЗГАЩИ ВРАТИ И КАПАЦИ
 (KO) 슬라이딩 도어 및 셔터를 “C”자형 프로파일 가이드
 (SRB) VODICA „C” PROFILA ZA KLIZNA VRATA I ŽALUZINE KAPJIE

Art.	A	B	C	S	CARRIAGE	SURFACE FINISH	L/1pc	1pc		CODE	
							mm	kg	pcs		kg
STRELA 33/6	33	31	19	2	2 SCF/4 SCF/2SC/4SC/ 2 SCTS/2 SCTL/4 SCML	GALVANIZED	6000	9,6	20	192	1700133
STRELA 33/4	33	31	19	2	2 SCF/4 SCF/2SC/4SC/ 2 SCTS/2 SCTL/4 SCML	GALVANIZED	4000	6,4	20	128	1720073
STRELA 33/3	33	31	19	2	2 SCF/4 SCF/2SC/4SC/ 2 SCTS/2 SCTL/4 SCML	GALVANIZED	3000	4,5	20	96	1700206
STRELA 33/2	33	31	19	2	2 SCF/4 SCF/2SC/4SC/ 2 SCTS/2 SCTL/4 SCML	GALVANIZED	2000	3,2	20	64	1720075
STRELA 33/1	33	31	19	2	2 SCF/4 SCF/2SC/4SC/ 2 SCTS/2 SCTL/4 SCML	GALVANIZED	1000	1,6	20	32	1720076
STRELA 42/6	42	53	24	2,5	2 SBK/4SBK	GALVANIZED	6000	18	20	360	1700134
STRELA 42/4	42	53	24	2,5	2 SBK/4SBK	GALVANIZED	4000	12	20	240	1720079
STRELA 42/3	42	53	24	2,5	2 SBK/4SBK	GALVANIZED	3000	9	20	180	1700207
STRELA 42/2	42	53	24	2,5	2 SBK/4SBK	GALVANIZED	2000	6	20	120	1720081
STRELA 42/1	42	53	24	2,5	2 SBK/4SBK	GALVANIZED	1000	3	20	60	1720082
STRELA 57/6	57	67	30	3	2 SAK/4SAK	GALVANIZED	6000	27,6	20	552	1700135
STRELA 57/4	57	67	30	3	2 SAK/4SAK	GALVANIZED	4000	18,4	20	368	1720085
STRELA 57/3	57	67	30	3	2 SAK/4SAK	GALVANIZED	3000	13,8	20	276	1700208
STRELA 57/2	57	67	30	3	2 SAK/4SAK	GALVANIZED	2000	9,2	20	184	1720087
STRELA 57/1	57	67	30	3	2 SAK/4SAK	GALVANIZED	1000	4,6	20	92	1720088



- (GB) TWO WHEELED COVERED BEARING CARRIAGE FOR SLIDING DOORS AND SHUTTERS
- (D) LAUFWAGEN MIT ZWEI LAUFRÄDERN FÜR FALT- UND SCHIEBETORE
- (F) CHARIOT DEUX ROUES À ROULEMENT FERMÉ POUR PORTES COULISSANTES ET VOLETS
- (E) CARRIL DE RODAMIENTO CUBIERTO CON DOS RUEDAS PARA POSTIGOS Y PUERTAS CORREDERAS
- (P) CORREDIÇA DE ROLAMENTO ABERTO COM DUAS ROLDANAS PARA PORTAS E PERSIANAS DESLIZANTES
- (I) CARRELLO A CUSCINETTI, CON DUE RUOTE, PER PORTE E SERRANDE SCORREVOLI
- (DK) TOHJULET DÆKKET LEJESLEDE TIL SKYVEDØRE OG LUKKERE
- (NL) DUBBEL WIELENBLOK MET GESLOTEN LAGER VOOR SCHUIFDEUREN EN LUIKEN
- (N) TOHJULS DEKKET GLIDELAGER FOR SKYVEDØRER OG -SKODDER
- (S) TVÅHJULAD TÄCKT LAGRAD VAGN FÖR SKJUTBARA DÖRRAR OCH FÖNSTERLUCKOR
- (FIN) KAKSIPYÖRÄINEN SULJETUN LAAKERIN ALUSTA LIUKUOVIIN JA -LUUKKUIHIN
- (PL) WÓZEK 2-ROLKOWY Z ZAKRYTYMI ŁOŻYSKAMI DO DRZWI PRZESUWNYCH I ŻALUZJI
- (SK) VOZÍK DVOJKOLIESKOVÝ LOŽISKOVÝ PRE POSUVNÉ ZÁVESNÉ DVERE, BRÁNY A SVETĽOLAMY
- (EE) KAHERATALLINE KAETUD LAAGRI SUPORT LIUGUSTE JA -LUUKIDE JAOKS
- (LT) DENGŖAS GUOLIO VĖŽIMĖLIS SU DVIEEM RATUKAIS STUMDOMOSIOMS DURIMS IR LANGINĖMS
- (LV) NOSĒGĒTS NESOŠAIS DIVU RUĻŅU BLOKS BĪDĀMAJĀM DURVĪM UN AIZBĪDNĪEM

- (CZ) VOZÍK DVOUKOLÝVÝ LOŽISKOVÝ PRO POSUVNÉ ZÁVĚSNÉ DVEŘE, VRATA A SVĚTLOLAMY
- (RO) CĂRUCIOR PE DOUĂ ROTI LAGĂR ÎNCHIS PENTRU UȘILE GLISANTE ȘI ÎNCHIZĂTOARE
- (HR) NOSAČ S DVA KOTAČA PREKRIVENIH LEŽAJA ZA KLIZNA VRATA I ŽALUZINE
- (RUS) ТЕЛЕЖКА ДВУХРОЛИКОВАЯ ПОДШИПНИКОВАЯ ДЛЯ РАЗДВИЖНЫХ ПОДВЕСНЫХ ДВЕРЕЙ, ВОРОТ И ЖАЛЮЗИЙ
- (SLO) VOZIČEK Z DVEMA KOLESOMA S POKRITIM LEŽAJEM ZA DRSNA VRATA IN ŽALUZIJE
- (TR) SÜRGÜLÜ KAPILAR VE OPTÜRATÖRLER İÇİN İKİ TEKERLEKLİ KAPALI RULMANLI TAŞIYICI
- (AR) عربة ذات محامل مغطاة مزودة بعجلتين للأبواب والرفوف
- (CHN) 滑动门与百叶窗双轮封闭轴承滑架
- (MAL) PENYORONG BEARING TERTUTUP DUA RODA UNTUK PINTU DAN PENUTUP GELONGSOR
- (H) KÉTGÖRGÖS ZÁRTCSAPÁGYAS FUTÓKOCSI TOLÓAJTÓKHOZ ÉS ZSILÍPEKHEZ
- (IL) עגלה תמללה שני גלגלים מוסים סגור
- (BG) КОЛИЧКА С ДВЕ РОЛКИ И КАПСУЛОВАНИ ЛАГЕРИ ЗА ПЛЪЗГАЩИ ВРАТИ И КАПАЦИ
- (KO) 슬라이딩 도어 및 셔터를 이중 휠 차폐식 베어링 이송대
- (SRB) NOSAČ SA DVA TOČKIČA PREKRIVENIH LEŽAJA ZA KLIZNA VRATA I ŽALUZINE KAPLJE

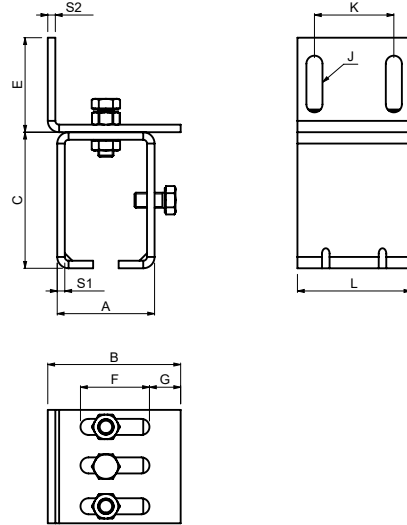
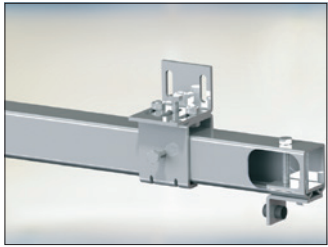


- (GB) FOUR WHEELED COVERED BEARING CARRIAGE FOR SLIDING DOORS AND SHUTTERS
- (D) LAUFWAGEN MIT VIER LAUFRÄDERN FÜR FALT- UND SCHIEBETORE
- (F) CHARIOT QUATRE ROUES À ROULEMENT FERMÉ POUR PORTES COULISSANTES ET VOLETS
- (E) CARRIL DE RODAMIENTO CUBIERTO CON CUATRO RUEDAS PARA POSTIGOS Y PUERTAS CORREDERAS
- (P) CORREDIÇA DE ROLAMENTO COBERTO COM QUATRO ROLDANAS PARA PORTAS E PERSIANAS DESLIZANTES
- (I) CARRELLO A CUSCINETTI, CON QUATTRO RUOTE, PER PORTE E SERRANDE SCORREVOLI
- (DK) FIREHJULET DÆKKET LEJESLEDE TIL SKYVEDØRE OG LUKKERE
- (NL) VIERVOUDIG WIELENBLOK MET GESLOTEN LAGER VOOR SCHUIFDEUREN EN LUIKEN
- (N) FIREHJULS DEKKET GLIDELAGER FOR SKYVEDØRER OG -SKODDER
- (S) FYRHJULAD TÄCKT LAGRAD VAGN FÖR SKJUTBARA DÖRRAR OCH FÖNSTERLUCKOR
- (FIN) NELIPYÖRÄINEN SULJETUN LAAKERIN ALUSTA LIUKUOVIIN JA -LUUKKUIHIN
- (PL) WÓZEK 4-ROLKOWY Z ZAKRYTYMI ŁOŻYSKAMI DO DRZWI PRZESUWNYCH I ŻALUZJI
- (SK) VOZÍK ŠTVORKOLIESKOVÝ LOŽISKOVÝ PRE POSUVNÉ ZÁVESNÉ DVERE, BRÁNY A SVETĽOLAMY
- (EE) NELJARATALLINE KAETUD LAAGRI SUPORT LIUGUSTE JA -LUUKIDE JAOKS
- (LT) DENGŖAS GUOLIO VĖŽIMĖLIS SU KETURIAIS RATUKAIS STUMDOMOSIOMS DURIMS IR LANGINĖMS
- (LV) NOSĒGĒTS NESOŠAIS ČETRU RUĻŅU BLOKS BĪDĀMAJĀM DURVĪM UN AIZBĪDNĪEM

- (CZ) VOZÍK ČTYŘKOLÝVÝ LOŽISKOVÝ PRO POSUVNÉ ZÁVĚSNÉ DVEŘE, VRATA A SVĚTLOLAMY
- (RO) CĂRUCIOR PE PATRU ROTI LAGĂR ÎNCHIS PENTRU UȘILE GLISANTE ȘI ÎNCHIZĂTOARE
- (HR) NOSAČ S ČETIRI KOTAČA PREKRIVENIH LEŽAJA ZA KLIZNA VRATA I ŽALUZINE
- (RUS) ТЕЛЕЖКА ЧЕТЫРЕХРОЛИКОВАЯ ПОДШИПНИКОВАЯ ДЛЯ РАЗДВИЖНЫХ ПОДВЕСНЫХ ДВЕРЕЙ, ВОРОТ И ЖАЛЮЗИЙ
- (SLO) VOZIČEK S ŠTIRIMI KOLESI S POKRITIM LEŽAJEM ZA DRSNA VRATA IN ŽALUZIJE
- (TR) SÜRGÜLÜ KAPILAR VE OPTÜRATÖRLER İÇİN DÖRT TEKERLEKLİ KAPALI RULMANLI TAŞIYICI
- (AR) عربة ذات محامل مغطاة مزودة بأربع عجلات للأبواب والرفوف
- (CHN) 滑动门与百叶窗四轮封闭轴承滑架
- (MAL) PENYORONG BEARING TERTUTUP EMPAT RODA UNTUK PINTU DAN PENUTUP GELONGSOR
- (H) NÉGYGÖRGÖS ZÁRTCSAPÁGYAS FUTÓKOCSI TOLÓAJTÓKHOZ ÉS ZSILÍPEKHEZ
- (IL) עגלה תמללה שני גלגלים מוסים סגור
- (BG) КОЛИЧКА С ЧЕТИРИ РОЛКИ И КАПСУЛОВАНИ ЛАГЕРИ ЗА ПЛЪЗГАЩИ ВРАТИ И КАПАЦИ
- (KO) 슬라이딩 도어 및 셔터를 사중 휠 차폐식 베어링 이송대
- (SRB) NOSAČ SA ČETIRI TOČKIČA PREKRIVENIH LEŽAJA ZA KLIZNA VRATA I ŽALUZINE KAPLJE

Art.	D1	A	B	C	E	M	GUIDE	CAPACITY	1pc		CODE	
									kg	kg		
	∅	mm							kg	kg	pcs	kg
2 SBK	42	33	9	115	60	M12	STRELA 42	180	0,29	20	5,8	1700122
2 SAK	55	41	12	152	80	M20	STRELA 57	380	0,79	8	6,32	1700123

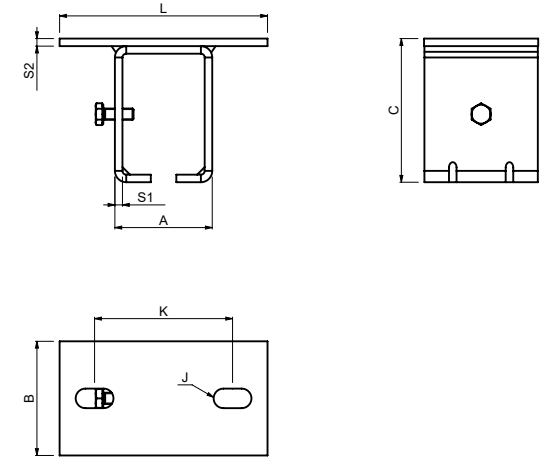
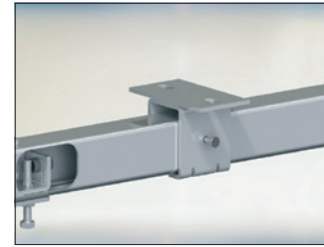
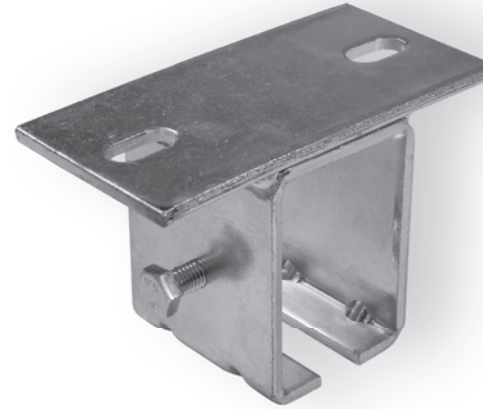
Art.	D1	A	B	C	E	K	L	M	GUIDE	CAPACITY	1pc		CODE	
											kg	kg		
	∅	mm							kg	kg	pcs	kg		
4 SBK	42	33	9	115	60	52	94	M12	STRELA 42	280	0,52	10	5,2	1700124
4 SAK	55	41	12	155	85	60	114	M20	STRALA 57	580	1,3	4	5,2	1700125



- (GB) ADJUSTABLE WALL SUPPORT BRACKET FOR GUIDE
 (D) HALTERUNG FÜR „C“ PROFIL, SEITLICH REGULIERBAR
 (F) ÉTRIER DE SUPPORT MURAL RÉGLABLE POUR GUIDE
 (E) BASE DE SOPORTE MURAL AJUSTABLE PARA GUÍA
 (P) SUPORTE DE APOIO DE PAREDE REGULÁVEL PARA GUIA
 (I) STAFFA DI SOSTEGNO A PARETE REGOLABILE PER GUIDA
 (DK) INDSTILLELIGT VÆGGSTØTTEBESLAG TIL VANGE
 (NL) VERSTELBARE MUURBEVESTIGINGSPLAAT VOOR GELEIDER
 (N) JUSTERBAR VEGGSTØTTEBRACKET FOR STYRESKINNE
 (S) JUSTERBART VÄGGSTÖD KONSOL FÖR GEJD
 (FIN) SÄÄDETTÄVÄ SEINÄTUEN KANNATIN OHJAJEEN
 (PL) REGULOWANY WSPORNIK ŚCIENNY DO SZYNY
 (SK) DRŽIAK NOSNÉHO „C“ PROFILU BOČNÝ, REGULOVATELNÝ
 (EE) REGULEERITAVA SEINATOE KLAMBER JUHIKU JAOKS
 (LT) REGULIUOJAMA ATRAMINĖ SIENOS GEMBĖ KREIPTUVUI
 (LV) REGULĒJAMS SIENAS BALSTA KRONŠTEINS VADOTNEI

- (CZ) DRŽÁK ŠINY „C“ PROFILU BOČNÍ, REGULOVATELNÝ
 (RO) CONSOLĂ REGLABILĂ DE SUPORT PE PERETE PENTRU GHIDAJ
 (HR) PRILAGODLJIVA ZIDNA KONZOLA ZA VODILICU
 (RUS) КРОНШТЕЙН НАПРАВЛЯЮЩЕГО РЕЛЬСА «С» БОКОВОЙ, РЕГУЛИРУЮЩИЙСЯ
 (SLO) NASTAVLJIVI STENSKI PODPORNÍ NOSILEC ZA VODILO
 (TR) KIZAK İÇİN AYARLANABİLİR DUVAR DESTEK DİRSEĞİ
 (AR) سقادة دعامة الحجار القابلة للضبط الخاصة بالناليل
 (CHN) 导轨可调整式支架
 (MAL) PENDAKAP SOKONGAN DINDING BOLEH LARAS UNTUK PANDU
 (H) ÁLLÍTHATÓ FALI VEZETŐSÍN-RÖGZÍTÉS
 (IL) מסלה למסילה להתקנה על קיר
 (BG) РЕГУЛИРУЕМА ДЪРЖАЩА СКОБА ЗА РЕЛСА ЗА СТЕНАН МОНТАЖ
 (KO) 가이드용 조절식 벽 지지대 브래킷
 (SRB) PODESIVA ZIDNA KONZOLA ZA VODICU

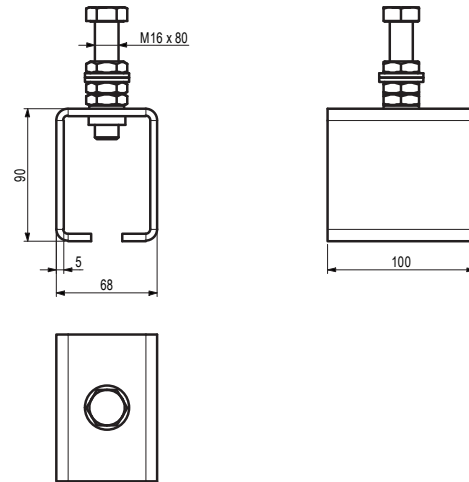
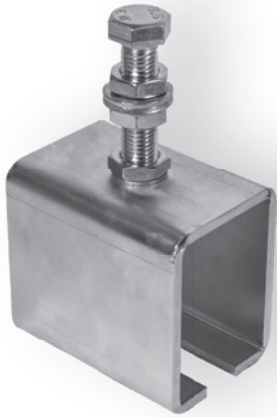
Art.	A	B	C	E	F	G	J	K	L	S1	S2	GUIDE	1pc	CODE		
														kg	pcs	kg
mm														kg	pcs	kg
DB 33	41	60	50	50	35	10	9x30	40	60	3	4	STRELA 33	0,39	10	3,9	1700136
DB 42	53	69	73	50	35	15	9x30	40	60	4	4	STRELA 42	0,59	10	5,9	1700137
DB 57	66	79	87	50	35	15	9x30	40	60	4	4	STRELA 57	0,7	8	5,6	1700138



- (GB) ADJUSTABLE CEILING SUPPORT BRACKET FOR GUIDE
 (D) HALTERUNG FÜR „C“ PROFIL, OBEN REGULIERBAR
 (F) ÉTRIER DE SUPPORT DE PLAFOND RÉGLABLE POUR GUIDE
 (E) BASE DE SOPORTE DE TECTO AJUSTABLE PARA GUÍA
 (P) SUPORTE DE APOIO DE TETO REGULÁVEL PARA GUIA
 (I) STAFFA DI SOSTEGNO A SOFFITTO REGOLABILE PER GUIDA
 (DK) INDSTILLELIGT LOFTSTØTTEBESLAG TIL VANGE
 (NL) VERSTELBARE PLAFONDBEVESTIGINGSPLAAT VOOR GELEIDER
 (N) JUSTERBAR TAKSTØTTEBRACKET FOR STYRESKINNE
 (S) JUSTERBART TAKSTÖD KONSOL FÖR GEJD
 (FIN) SÄÄDETTÄVÄ KATTOTUEN KANNATIN OHJAJEEN
 (PL) REGULOWANY WSPORNIK SUFITOWY DO SZYNY
 (SK) DRŽIAK NOSNÉHO „C“ PROFILU HORNÝ, REGULOVATELNÝ
 (EE) REGULEERITAVA LAETOE KLAMBER JUHIKU JAOKS
 (LT) REGULIUOJAMA ATRAMINĖ LUBŲ GEMBĖ KREIPTUVUI
 (LV) REGULĒJAMS GRIESTU BALSTA KRONŠTEINS VADOTNEI

- (CZ) DRŽÁK ŠINY „C“ PROFILU HORNÍ, REGULOVATELNÝ
 (RO) CONSOLĂ REGLABILĂ DE SUPORT PE TAVAN PENTRU GHIDAJ
 (HR) PRILAGODLJIVA STROPNA KONZOLA ZA VODILICU
 (RUS) КРОНШТЕЙН НАПРАВЛЯЮЩЕГО РЕЛЬСА «С» ВЕРХНИЙ, РЕГУЛИРУЮЩИЙСЯ
 (SLO) NASTAVLJIVI STROPNI PODPORNÍ NOSILEC ZA VODILO
 (TR) KIZAK İÇİN AYARLANABİLİR TAVAN DESTEK DİRSEĞİ
 (AR) سقادة دعامة السقف القابلة للضبط الخاصة بالناليل
 (CHN) 导轨可调整顶式支架
 (MAL) PENDAKAP SOKONGAN SILING BOLEH LARAS UNTUK PANDU
 (H) ÁLLÍTHATÓ MENNYEZETI VEZETŐSÍN-RÖGZÍTÉS
 (IL) מסלה למסילה להתקנה לתקרה
 (BG) РЕГУЛИРУЕМА ДЪРЖАЩА СКОБА ЗА РЕЛСА ЗА ТАВАНАН МОНТАЖ
 (KO) 가이드용 조절식 천정 지지대 브래킷
 (SRB) PODESIVA PLAFONSKA KONZOLA ZA VODICU

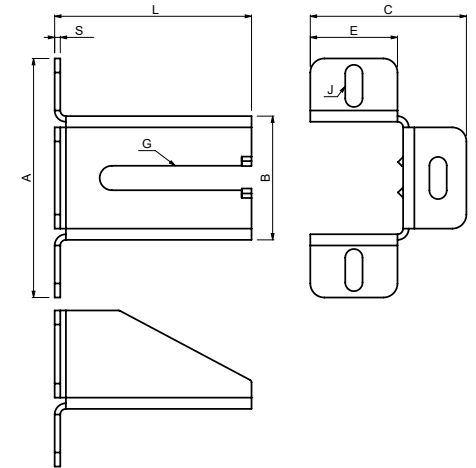
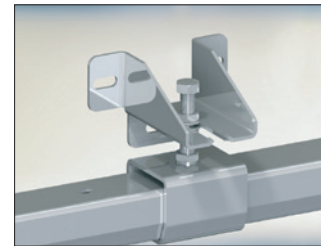
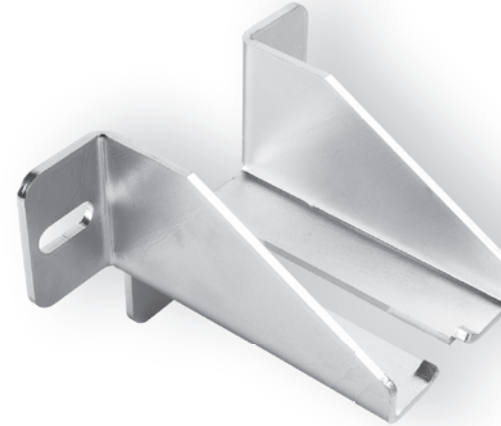
Art.	A	B	C	J	K	L	S1	S2	GUIDE	1pc	CODE		
											kg	pcs	kg
mm											kg	pcs	kg
DH 33	41	59,5	54	11x20	73	110	3	4	STRELA 33	0,43	10	4,3	1700139
DH 42	53	59,5	78	11x20	83	120	4	4	STRELA 42	0,62	10	6,2	1700140
DH 57	66	59,5	93	11x20	93	130	4	4	STRELA 57	0,73	8	5,84	1700141



- (GB) ADJUSTABLE CEILING SUPPORT BRACKET FOR GUIDE
- (D) HALTERUNG FÜR „C“ PROFIL, OBEN REGULIERBAR
- (F) ÉTRIER DE SUPPORT DE PLAFOND RÉGLABLE POUR GUIDE
- (E) BASE DE SOPORTE DE TECTO AJUSTABLE PARA GUÍA
- (P) SUPORTE DE APOIO DE TETO REGULÁVEL PARA GUIA
- (I) STAFFA DI SOSTEGNO A SOFFITTO REGOLABILE PER GUIDA
- (DK) INDSTILLELIGT LOFTSSTØTTEBESLAG TIL VANGE
- (NL) VERSTELBARE PLAFONDBEVESTIGINGSPLAAT VOOR GELEIDER
- (N) JUSTERBAR TAKSTØTTEBRACKET FOR STYRESKINNE
- (S) JUSTERBART TAKSTÖD KONSOL FÖR GEJD
- (FIN) SÄÄDETTÄVÄ KATTOTUEN KANNATIN OHJAJEEN
- (PL) REGULOWANY WSPORNIK SUFITOWY DO SZYNY
- (SK) DRŽIAK NOSNÉHO „C“ PROFILU HORNÝ, REGULOVATEĽNÝ
- (EE) REGULĒERITAVA LAETOE KLAMBER JUHIKU JAOKS
- (LT) REGULIUOJAMA ATRAMINĖ LUBŲ GEMBĖ KREIPTUVUI
- (LV) REGULĒJAMS GRIESTU BALSTA KRONŠTEINS VADOTNEI

- (CZ) DRŽÁK ŠÍNY „C“ PROFILU HORNÍ, REGULOVATELNÝ
- (RO) CONSOLĂ REGLABILĂ DE SUPORT PE TAVAN PENTRU GHIDAJ
- (HR) PRILAGODLJIVA STROPNA KONZOLA ZA VODILICU
- (RUS) КРОНШТЕЙН НАПРАВЛЯЮЩЕГО РЕЛЬСА «С» ВЕРХНИЙ, РЕГУЛИРУЮЩИЙСЯ
- (SLO) NASTAVLJIVI STROPNI PODPORNÍ NOSILEC ZA VODILO
- (TR) KIZAK İÇİN AYARLANABİLİR TAVAN DESTEK DİRSEĞİ
- (AR) سادة دعامة السقف القابلة للضبط الخاصة بالليل
- (CHN) 导轨可调顶式支架
- (MAL) PENDAKAP SOKONGAN SILING BOLEH LARAS UNTUK PANDU
- (H) ÁLLÍTHATÓ MENNYEZETI VEZETŐSÍN-RÖGZÍTÉS
- (IL) מסלה למסילה להתקנה לתקרה
- (BG) РЕГУЛИРУЕМА ДЪРЖАЩА СКОБА ЗА РЕЛСА ЗА ТАВАНЕН МОНТАЖ
- (KO) 가이드용 조절식 천정 지지대 브래킷
- (SRB) PODESIVA PLAFONSKA KONZOLA ZA VODICU

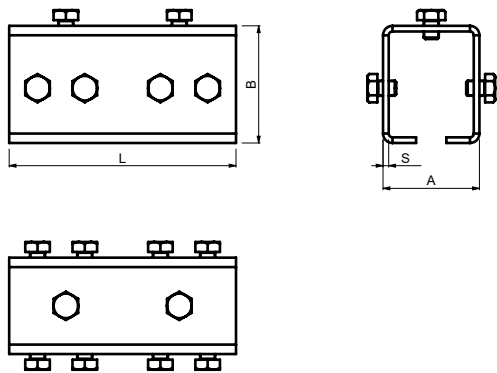
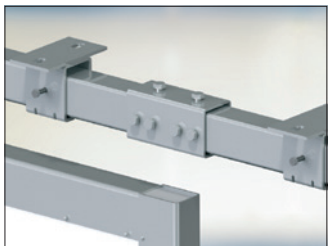
Art.	GUIDE	1pc		CODE
		kg	pcs	
DC 57	STRELA 57	1,26	8	1700417



- (GB) ADJUSTABLE BRACKET FOR GUIDE SUPPORT
- (D) KONSOLE FÜR SCHIENENHALTERUNG
- (F) ÉTRIER RÉGLABLE POUR SUPPORT DE GUIDE
- (E) BASE AJUSTABLE PARA SOPORTE DE GUÍA
- (P) SUPORTE AJUSTÁVEL PARA SUPORTE GUIA
- (I) STAFFA REGOLABILE PER SOSTEGNO DELLA GUIDA
- (DK) INDSTILLELIGT BESLAG TIL VANGEUNDERSTØTNING
- (NL) VERSTELBARE BEUGEL VOOR GELEIDERSTEUN
- (N) JUSTERBAR BRACKET FOR STYRESKINNE
- (S) JUSTERBAR KONSOL FÖR GEJDSTÖD
- (FIN) SÄÄDETTÄVÄ KANNATIN OHJAJINTUKEEN
- (PL) REGULOWANY WSPORNIK DO UCHWYTU SZYNY
- (SK) KONZOLA PRE DRŽIAK NOSNÝCH „C“ PROFILOV
- (EE) REGULĒERITAV KLAMBER JUHTTOE JAOKS
- (LT) REGULIUOJAMA KREIPTUVU ATRAMOS GEMBĖ
- (LV) REGULĒJAMS KRONŠTEINS VADOTNES BALSTAM

- (CZ) KONZOLA PRO DRŽÁK ŠÍNY „C“ PROFIL
- (RO) CONSOLĂ REGLABILĂ DE SUPORT PENTRU GHIDAJ
- (HR) PRILAGODLJIVA KONZOLA ZA DRŽAČ VODILICE
- (RUS) КРЕПЕЖНАЯ КОНСОЛЬ КРОНШТЕЙНА ДЛЯ НАПРАВЛЯЮЩЕГО РЕЛЬСА «С»
- (SLO) NASTAVLJIVI OPORNIK ZA PODPORNÍK VODILA
- (TR) KIZAK DESTEĞİ İÇİN AYARLANABİLİR DİRSEK
- (AR) سادة قنطرة للضبط الخاصة بالدعامة الدائرية
- (CHN) 导轨支轮可调壁式支座
- (MAL) PENDAKAP BOLEH LARAS UNTUK SOKONGAN PANDU
- (H) ÁLLÍTHATÓ KERET A VEZETŐSÍN RÖGZÍTÉSÉHEZ
- (IL) מתקן קיר לתומסן מסילה כבדה
- (BG) РЕГУЛИРУЕМА СКОБА ЗА ДЪРЖАЩА НА РЕЛСА
- (KO) 가이드 지지대용 조절식 브래킷
- (SRB) PODESIVA KONZOLA ZA DRŽAČ VODICE

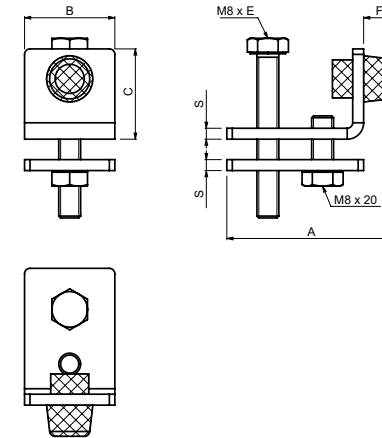
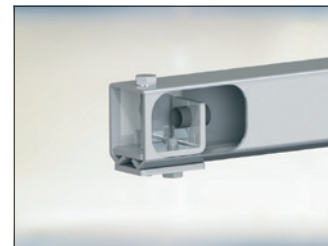
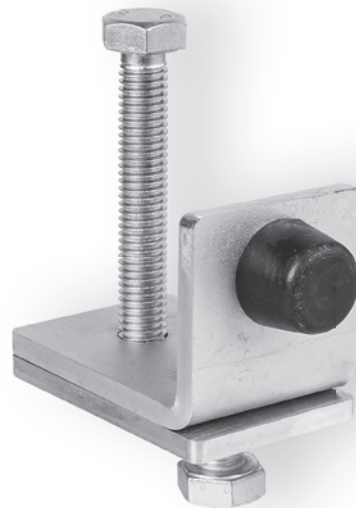
Art.	L	A	B	C	E	G	J	S	SUPPORT	1pc			CODE
										kg	pcs	kg	
										mm			
KHL 140	140	172	88	112	62	17x105	12x30	4	DC 70/DC 90/DC 57	0,94	8	7,52	1700147
KHL 180	180	172	88	112	62	17x142	12x30	4	DC 70/DC 90/DC 57	1,05	6	6,3	1700164



- (GB) „C“ PROFILE GUIDE JOINT BRACKET
- (D) „C“-PROFILFÜHRUNG, GELENKHALTERUNG
- (F) SUPPORT DE JOINT DE GUIDE DE PROFIL EN „C“
- (E) SOPORTE DE UNIÓN DE GUÍA DE PERFIL EN “C”
- (P) GUIA DE PERFIL „C“ GUIA COMUM
- (I) STAFFA DI ACCOPIAMENTO GUIDA CON PROFILO A „C“
- (DK) BESLAG TIL “C” PROFILVANGEFORBINDELSE
- (NL) “C” PROFIELGELEIDER VERBINDINGSSTUK BEVESTIGINGSBEUGEL
- (N) „C“ PROFILSTYRINGSBRACKETT
- (S) “C” GEJDPROFIL FÖR KONSOL
- (FIN) “C”-PROFILISEN OHJAIMEN LIITOKSEN KANNATIN
- (PL) WSPORNIK ŁĄCZĄCY DO SZYN O PROFILU „C”
- (SK) PRIPOJOVACÍ DRŽIAK PROFILU VODIACEJ LIŠTY V TVARE „C”
- (EE) “C”-PROFIL JUHKU ÜHENDUSE KLAMBER
- (LT) „C” FORMOS PROFILIUOTO KREIPTUVO JUNGIAMASIS LAIKIKLIS
- (LV) “C” VEIDA PROFILA SAVIENOTĀJBALSTENIS

- (CZ) SPOJKA FIXAČNÍ PRO „C” PROFIL
- (RO) REAZEM ÎN FORMĂ DE „C” PENTRU PROFILUL DE GHIDAJ
- (HR) ZGLOBNI NOSAČ “C” PROFILNE VODILICE
- (RUS) ВТУЛЧНЫЙ КРОНШТЕЙН ДЛЯ НАПРАВЛЯЮЩИХ РЕЛЬСОВ ПРОФИЛЯ «С»
- (SLO) PRITRDLINI NOSILEC Z VODILOM S“C” PROFILOM
- (TR) “C” PROFIL YATAĞI BAĞLANTI BRAKETİ
- (AR) دعامة مفصل موجة قنطاع على شكل حرف “C”
- (CHN) C型导向关节托臂
- (MAL) PENDAKAP TERCANTUM PANDU PROFIL “C”
- (H) C-VEZETŐSÍN ÖSSZEKÖTŐELEM
- (IL) פרופיל מוביל צורת C עם סגר פח
- (BG) СВЪРЗАЩА СКОБА ЗА “C”-ОБРАЗНА РЕЛСА
- (KO) “C”자형 프로필 가이드 조인트 브래킷
- (SRB) NOSAČ SPOJNICE ZA VOĐICU „C” PROFILA

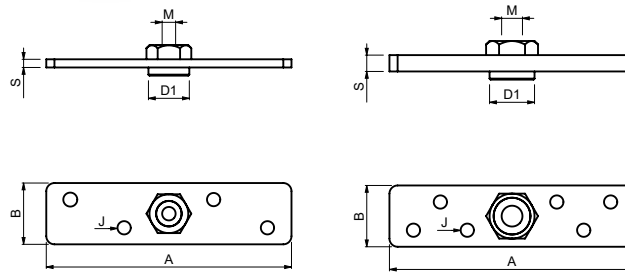
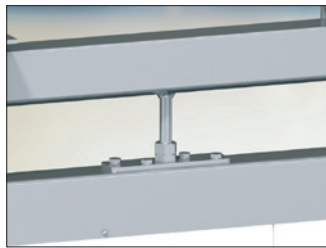
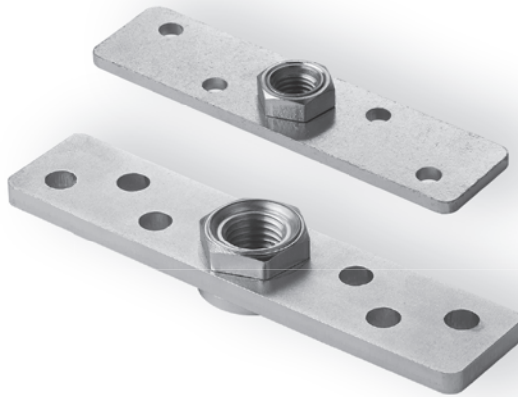
Art.	L	A	B	S	GUIDE	1pc		CODE	
						kg	pcs		
						mm			
						kg	pcs	kg	
AG 33	120	42	40	4	STRELA 33	0,43	10	4,3	1700310
AG 42	120	51	62	4	STRELA 42	0,58	10	5,8	1700311
AG 57	120	64	76	4	STRELA 57	0,71	8	5,68	1700312



- (GB) INTERNAL GUIDE END STOP
- (D) INNENANSCHLAG FÜR „C” PROFIL
- (F) BUTÉE INTERNE POUR GUIDE
- (E) TOPE FINAL DE GUÍA INTERNA
- (P) BATENTE GUIA INTERNA
- (I) TFERMO DI FINE CORSA DELLA GUIDA INTERNA
- (DK) INTERN VANGGEDESTOP
- (NL) INTERNE GELEIDER EINDSTOP
- (N) ENDESTOPPER TIL INNVENDIG SKINNE
- (S) INTERN GEJDÄNDSTOPP
- (FIN) SISÄINEN OHJAIMEN PÄÄN PYSÄYTIN
- (PL) WEWNĘTRZNY ODBOJNIK SZYNY
- (SK) DORAZ VNÚTORNÝ PRE NOSNÝ „C” PROFIL
- (EE) SISEJUHKU OTSALÕPP
- (LT) VIDINIO KREIPTUVO GALINIS RIBOKLIS
- (LV) IEKŠĒJĀIS VADOTNES GALA AIZTURIS

- (CZ) DORAZ VNITRNÍ PRO ŠINU „C” PROFIL
- (RO) GHIDAJ CAPĂT FINAL INTERN
- (HR) UNUTARNJI GRANIČNIK VODILICE
- (RUS) ВНУТРЕННИЙ ОГРАНИЧИТЕЛЬ НАПРАВЛЯЮЩЕГО РЕЛЬСА «С»
- (SLO) ZAUSTAVLJALNIK NOTRANJEGA VODILA
- (TR) DAHİLİ KIZAK UÇ TESPİT PARÇASI
- (AR) ممانع طرفي داخلي
- (CHN) 内导轨终端挡块
- (MAL) PENYENDAL HUJUNG PANDU DALAM
- (H) VEZETŐSÍN BELSŐ ÚTKÖZŐ
- (IL) מעצור פנימי למסילה עילינה
- (BG) ВЪТРЕШЕН СТОПЕР ЗА РЕЛСА
- (KO) 내부 가이드 종단 정지대
- (SRB) UNUTRAŠNJI GRANIČNIK VOĐICE

Art.	A	B	C	E	F	S	GUIDE	1pc		CODE	
								kg	pcs		
								mm			
								kg	pcs	kg	
FINISH 33	61	22	22	35	11	3	STRELA 33	0,08	20	1,6	1700225
FINISH 42	61	33	35	60	11	4	STRELA 42	0,15	20	3	1700226
FINISH 57	62	40	36	75	11	5	STRELA 57	0,22	10	2,2	1700227

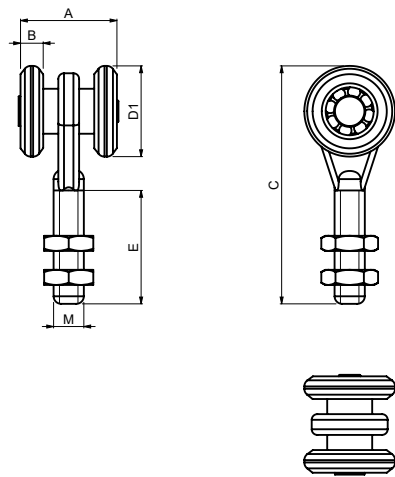
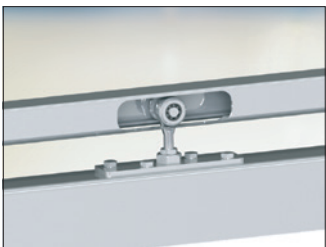
DM 8
DM 12

DM 20

- (GB) HEIGHT ADJUSTABLE SUPPORT PLATE FOR SLIDING DOORS AND SHUTTERS
 (D) FLÜGELHALTERUNG MIT MUTTER, VERSTELLBAR
 (F) PLATINE DE SUPPORT RÉGLABLE EN HAUTEUR POUR PORTES COULISSANTES ET VOILETS
 (E) PLATO DE SOPORTE CON ALTURA REGULABLE PARA POSTIGOS Y PUERTAS CORREDERAS
 (P) PLACA DE APOIO DE ALTURA AJUSTÁVEL PARA PORTAS E PERSIANAS DESLIZANTES
 (I) PIASTRA DI SOSTEGNO AD ALTEZZA REGOLABILE PER PORTE E SERRANDE SCORREVOLI
 (DK) HØJDEINDSTILLELIG STØTTEPLADE TIL SKYVEDØRE OG LUKKERE
 (NL) VERSTELBARE STEUNPLAAT VOOR SCHUIFDEUREN EN LUIKEN
 (N) HØYDEREGULERENDE STØTTEPLATE TIL SKYVEDØRER OG -SKODDER
 (S) STÖDPLATTAN MED JUSTERBAR HÖJD FÖR SKJUTBARA DÖRRAR OCH FÖNSTERLUCKOR
 (FIN) KORKEUDEN SÄÄTÄMISEN MAHDOLLISTAVA TUKILEVY LIUKUOVIIN JA -LUUKUIHIN
 (PL) REGULOWANA W PIONIE PŁYTKA WSPORNICA DO DRZWI PRZESUWNYCH I ŻALUZJI
 (SK) SPOJOVACIA DOSKA K UCHYTIENIU KRÍDLA A VOZÍKA, REGULOVATEĽNÁ
 (EE) REGULĒERITAVA KÕRGUSEGA TUGIPLAAT LIUGUSTE JA -LUUKUDE JAOKS
 (LT) VERTIKALIAI REGULIUOJAMA ATRAMINĖ PLOKŠTELĖ STUMDOMOSIOMS DURIMS IR LANGINĖMS
 (LV) BALSTA PLĀKSNE AR REGULĒJAMU AUGSTUMU BĪDĀJĀM DURVĪM UN AIZĪDĪNIEM

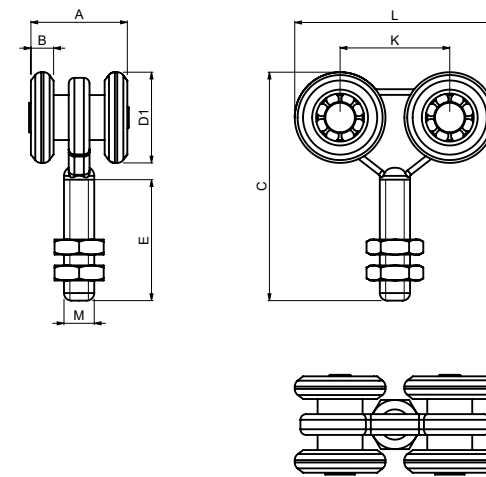
- (CZ) DESKA SPOJOVACÍ K UCHYCENÍ KŘÍDLA A VOZÍKU, REGULOVATELNÁ
 (RO) PLACĂ DE SUPORT REGLABILĂ ÎN ÎNĂLȚIME PENTRU UȘILE GLISANTE ȘI ÎNCHIZĂTOARE
 (HR) VISINSKI PRILAGODLJIVA PLOČA ZA KLIZNA VRATA I ŽALUZINE
 (RUS) ПЛАСТИНА СОЕДИНИТЕЛЬНАЯ ДЛЯ КРЕПЛЕНИЯ ДВЕРНОГО КРЫЛА С ТЕЛЕЖКОЙ, РЕГУЛИРУЮЩАЯСЯ
 (SLO) PO VIŠINI NASTAVLJIVA PODPORNÁ PLOŠČA ZA DRSNÁ VRATA IN ŽALUZIJE
 (TR) SÜRGÜLÜ KAPILAR VE OPTURATÖRLER İÇİN YÜKSEKLİĞİ AYARLANABİLİR DESTEK PLAKASI
 (AR) لوحة الدعامة التي يمكن ضبط ارتفاعها للأبواب والرفقات المنزلقة
 (CHN) 滑动门与百叶窗高度可调支撑板
 (MAL) PLAT SOKONGAN KETINGGIAN BOLEH LARAS UNTUK PINTU DAN PENUTUP GELONGSOR
 (H) MAGASSÁG-ÁLLÍTHATÓ RÖGZÍTŐLEMEZ TOLÓAJTÓKHOZ ÉS ZSILÍPEKHEZ
 (IL) פלטת חיבור דלתות תלויות ומתקנות מחזוריות
 (BG) РЕГУЛИРУЕМА НА ВИСОЧИНА ОПОРНА ПЛАНКА ЗА ПЛЪЗГАЩИ ВРАТИ И КАПАЦИ
 (KO) 슬라이딩 도어 및 셔터를 높이 조절식 지지판
 (SRB) NOSEČA PLOČA ZA KLIZNA VRATA I ŽALUZINE KAPJUE PODESIVE VISINE

Art.	D1	A	B	J	M	S	CARRIAGE	1pc			CODE
								kg	pcs	kg	
	∅	mm			∅	mm					
DM 8	20	120	30	6,5	M8	4	2 SCF/4 SCF/2 SC/4 SC	0,12	20	2,4	1700142
DM 12	20	120	30	6,5	M12	4	2 SBK/4 SBK	0,12	20	2,4	1700143
DM 20	38	180	39	11	M20	8	2 SAK/4 SAK	0,44	10	4,4	1700224



- (GB) TWO WHEELED OPEN BEARING CARRIAGE FOR SLIDING DOORS AND SHUTTERS
 (D) LAUFWAGEN MIT ZWEI LAUFRÄDERN FÜR FALT- UND SCHIEBETÖRE
 (F) CHARIOT DEUX ROUES À ROULEMENT OUVERT POUR PORTES COULISSANTES ET VOLETS
 (E) CARRIL DE RODAMIENTO ABIERTO CON DOS RUEDAS PARA POSTIGOS Y PUERTAS CORREDERAS
 (P) CORREDIÇA DE ROLAMENTO ABERTO COM DUAS ROLDANAS PARA PORTAS E PERSIANAS DESLIZANTES
 (I) CARRELLO A CUSCINETTI APERTI, CON DUE RUOTE, PER PORTE E SERRANDE SCORREVOLI
 (DK) TOHJULET ÅBEN LEJESLÆDE TIL SKYVEDØRE OG LUKKERE
 (NL) DUBBEL WIELENBLOK MET OPEN LAGER VOOR SCHUIFDEUREN EN LUIKEN
 (N) TOHJULS ÅPENT GLIDELAGER FOR SKYVEDØRER OG -SKODDER
 (S) TVÅHJULAD ÖPPEN LAGRAD VAGN FÖR SKJUTBARA DÖRRAR OCH FÖNSTERLUCKOR
 (FIN) KAKSIPYÖRÄINEN AVOIMEN LAAKERIN ALUSTA LIUKUUVIIN JA -LUUKKUIHIN
 (PL) WÓZEK 2-ROLKOWY Z OTWARTYMI ŁOŻYSKAMI DO DRZWI PRZESUWNYCH I ŻALUZJI
 (SK) VOZÍK DVŮJKOLESKOVÝ GULČÍKOVÝ PRE POSUVNÉ ZÁVESNÉ DVERE, BRÁNY A SVĚTLŮLAMY
 (EE) KAHERATTALINE AVATUD LAAGRI SUPT LIUGUSTE JA -LUUKIDE JAOKS
 (LT) ATVIRAS GUOLIO VEŽIMĖLIS SU DVIEM RATUKAIS STUMDOMOSIOMS DURIMS IR LANGINĖMS
 (LV) ATVĒRTS NESOŠAIS DIVU RUĻŅU BLOKS BĪDĀMAJĀM DURVĪM UN AIZBĪDNĪEM

- (CZ) VOZÍK DVOUKOLOVÝ KULČÍKOVÝ PRO POSUVNÉ ZAVĚŠENÉ DVEŘE, VRATA A SVĚTLŮLAMY
 (RO) CĂRUȚIOR PE DOUĂ ROTI LAGĂR DESCHIS PENTRU UȘILE GLISANTE ȘI ÎNCHIZĂTOARE
 (HR) NOSAČ S DVA KOTAČA OTVORENIH LEŽAJA ZA KLIZNA VRATA I ŽALUZINE
 (RUS) ТЕЛЕЖКА ДВУХРОЛИКОВАЯ ШАРИКОВАЯ ДЛЯ РАЗДВИЖНЫХ ПОДВЕСНЫХ ДВЕРЕЙ, ВОРОТ И ЖАЛЮЗИЙ
 (SLO) VOZIČEK Z DVEMA KOLESOMA Z ODPRTIM LEŽAJEM ZA DRSNA VRATA IN ŽALUZIJE
 (TR) SÜRGÜLÜ KAPILAR VE OPTÜRATÖRLER İÇİN İKİ TEKERLEKLİ AÇIK RULMANLI TAŞIYICI
 (AR) عربة ذات محامل مفروحة مزودة بعجلتين للأبواب والرفقات
 (CHN) 滑动门与百叶窗双轮开放轴承滑架
 (MAL) PENYORONG BEARING TERBUKA DUA RODA UNTUK PINTU DAN PENUTUP GELONGSOR
 (H) KÉTGYÖRGÖS CSAPÁGYAS FUTÓKOCSI TOLÓAJTÓKHOZ ÉS ZSILÍPEKHEZ
 (IL) עגלה מזהלת מרובה גלגלים מסיב פחמן
 (BG) КОЛИЧКА С ДВЕ РОЛКИ И ОТКРИТИ ЛАГЕРИ ЗА ПЛЪЗГАЩИ ВРАТИ И КАПАЦИ
 (KO) 슬라이딩 도어 및 셔터용 이중 휠 개방식 베어링 이송대
 (SRB) NOSAČ SA DVA TOČKIČA OTVORENIH LEŽAJA ZA KLIZNA VRATA I ŽALUZINE KAPLJE

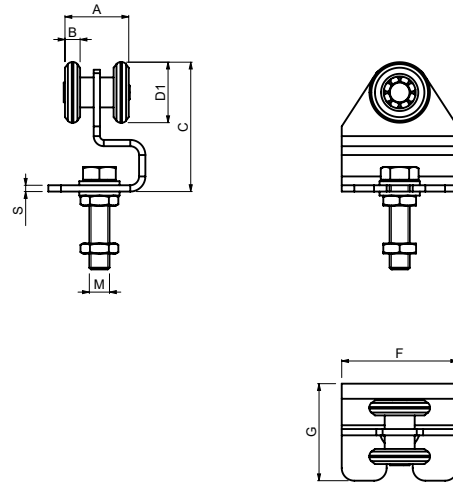
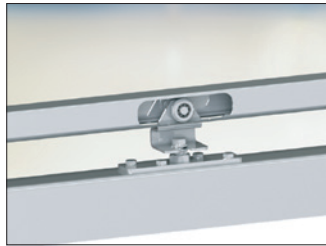


- (GB) FOUR WHEELED OPEN BEARING CARRIAGE FOR SLIDING DOORS AND SHUTTERS
 (D) LAUFWAGEN MIT VIER LAUFRÄDERN FÜR FALT- UND SCHIEBETÖRE
 (F) CHARIOT QUATRE ROUES À ROULEMENT OUVERT POUR PORTES COULISSANTES ET VOLETS
 (E) CARRIL DE RODAMIENTO ABIERTO CON CUATRO RUEDAS PARA POSTIGOS Y PUERTAS CORREDERAS
 (P) CORREDIÇA DE ROLAMENTO ABERTO COM QUATRO ROLDANAS PARA PORTAS E PERSIANAS DESLIZANTES
 (I) CARRELLO A CUSCINETTI APERTI, CON QUATTRO RUOTE, PER PORTE E SERRANDE SCORREVOLI
 (DK) FIREHJULET ÅBEN LEJESLÆDE TIL SKYVEDØRE OG LUKKERE
 (NL) VIERVOUDIG WIELENBLOK MET OPEN LAGER VOOR SCHUIFDEUREN EN LUIKEN
 (N) FIREHJULS ÅPENT GLIDELAGER FOR SKYVEDØRER OG -SKODDER
 (S) FYRHHJULAD ÖPPEN LAGRAD VAGN FÖR SKJUTBARA DÖRRAR OCH FÖNSTERLUCKOR
 (FIN) NELIPYÖRÄINEN AVOIMEN LAAKERIN ALUSTA LIUKUUVIIN JA -LUUKKUIHIN
 (PL) WÓZEK 4-ROLKOWY Z OTWARTYMI ŁOŻYSKAMI DO DRZWI PRZESUWNYCH I ŻALUZJI
 (SK) VOZÍK ŠTVORKOLESKOVÝ GULČÍKOVÝ PRE POSUVNÉ ZÁVESNÉ DVERE, BRÁNY A SVĚTLŮLAMY
 (EE) NELJARATTALINE AVATUD LAAGRI SUPT LIUGUSTE JA -LUUKIDE JAOKS
 (LT) ATVIRAS GUOLIO VEŽIMĖLIS SU KETURIAIS RATUKAIS STUMDOMOSIOMS DURIMS IR LANGINĖMS
 (LV) ATVĒRTS NESOŠAIS ČETRU RUĻŅU BLOKS BĪDĀMAJĀM DURVĪM UN AIZBĪDNĪEM

- (CZ) VOZÍK ČTYŘKOLVÝ KULČÍKOVÝ PRO POSUVNÉ ZAVĚŠENÉ DVEŘE, VRATA A SVĚTLŮLAMY
 (RO) CĂRUȚIOR PE PATRU ROTI LAGĂR DESCHIS PENTRU UȘILE GLISANTE ȘI ÎNCHIZĂTOARE
 (HR) NOSAČ S ČETIRI KOTAČA OTVORENIH LEŽAJA ZA KLIZNA VRATA I ŽALUZINE
 (RUS) ТЕЛЕЖКА ЧЕТЫРЕХОЛИКОВАЯ ШАРИКОВАЯ ДЛЯ РАЗДВИЖНЫХ ПОДВЕСНЫХ ДВЕРЕЙ, ВОРОТ И ЖАЛЮЗИЙ
 (SLO) VOZIČEK S ŠTIRIMI KOLESI Z ODPRTIM LEŽAJEM ZA DRSNA VRATA IN ŽALUZIJE
 (TR) SÜRGÜLÜ KAPILAR VE OPTÜRATÖRLER İÇİN DÖRT TEKERLEKLİ AÇIK RULMANLI TAŞIYICI
 (AR) عربة ذات محامل مفروحة مزودة بأربع عجلات للأبواب والرفقات
 (CHN) 滑动门与百叶窗四轮开放轴承滑架
 (MAL) PENYORONG BEARING TERBUKA EMPAT RODA UNTUK PINTU DAN PENUTUP GELONGSOR
 (H) NÉGYGYÖRGÖS CSAPÁGYAS FUTÓKOCSI TOLÓAJTÓKHOZ ÉS ZSILÍPEKHEZ
 (IL) עגלה מזהלת מרובה גלגלים מסיב פחמן
 (BG) КОЛИЧКА С ЧЕТИРИ РОЛКИ И ОТКРИТИ ЛАГЕРИ ЗА ПЛЪЗГАЩИ ВРАТИ И КАПАЦИ
 (KO) 슬라이딩 도어 및 셔터용 사중 휠 개방식 베어링 이송대
 (SRB) NOSAČ SA ČETIRI TOČKIČA OTVORENIH LEŽAJA ZA KLIZNA VRATA I ŽALUZINE KAPLJE

Art.	D1	A	B	C	E	M	GUIDE	CAPACITY	1pc	Image		CODE
	∅									mm		
2 SCF	24	25	6	71	36	M8	STRELA 33	45	0,07	50	3,5	1700116

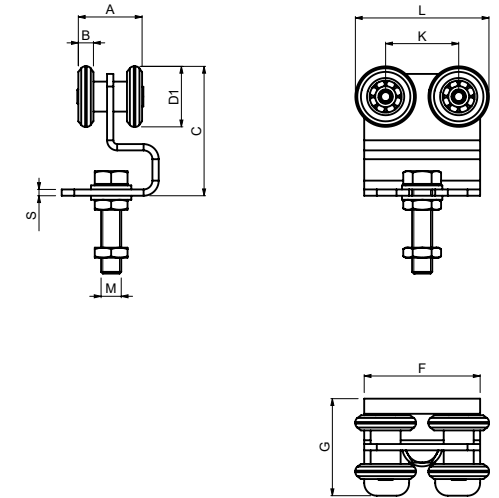
Art.	D1	A	B	C	E	K	L	M	GUIDE	CAPACITY	1pc	Image		CODE
	∅											mm		
4 SCF	24	25	6	61	31	30	54	M8	STRELA 33	80	0,13	20	2,6	1700119



- (GB) TWO WHEELED OPEN BEARING CARRIAGE FOR SLIDING DOORS AND SHUTTERS
 (D) LAUFWAGEN MIT ZWEI LAUFRÄDERN FÜR FALT- UND SCHIEBETÖRE, KUGELGELAGERT
 (F) CHARIOT DEUX ROUES À ROULEMENT OUVERT POUR PORTES COULISSANTES ET VOLETS
 (E) CARRIL DE RODAMIENTO ABIERTO CON DOS RUEDAS PARA POSTIGOS Y PUERTAS CORREDERAS
 (P) CORREDIÇA DE ROLAMENTO ABERTO COM DUAS ROLDANAS PARA PORTAS E PERSIANAS DESLIZANTES
 (I) CARRELLO A CUSCINETTI APERTI, CON DUE RUOTE, PER PORTE E SERRANDE SCORREVOLI
 (DK) TOHJULET ÅBEN LEJESLÆDE TIL SKYDEDØRE OG LUKKERE
 (NL) DUBBEL WIELENBLOK MET OPEN LAGER VOOR SCHUIFDEUREN EN LUIKEN
 (N) TOHJULS ÅPENT GLIDELAGER FOR SKYVEDØRER OG -SKODDER
 (S) TVÅHJULAD ÖPPEN LAGRAD VÄGN FÖR SKJUTBARA DÖRRAR OCH FÖNSTERLUCKOR
 (FIN) KAKSIPYÖRÄINEN AVOIMEN LAAKERIN ALUSTA LIUKUOVIIN JA -LUUKKUIHIN
 (PL) WÓZEK 2-ROLKOWY Z OTWARTYMI ŁOŻYSKAMI DO DRZWI PRZESUWNYCH I ŻALUZJI
 (SK) VOZÍK DVOUKOLESKOVÝ GULČIKOVÝ PRE POSUVNÉ ZÁVESNÉ DVERE, BRÁNY A SVETĽOLAMY
 (EE) KAHERATTALINE AVATUD LAAGRI SUPORT LIUGUSTE JA -LUUKIDE JAOKS
 (LT) ATVIRAS GUOLIO VEŽIMĖLIS SU DVIEM RATUKAIS STUMDOMOSIOMS DURIMS IR LANGINEMS
 (LV) ATVERTS NESOŠAIS DIVU RUĻĻU BLOKS BĪDĀMAJĀM DURVIM UN AIZBĪDNIEM

- (CZ) VOZÍK DVOUKOLEVÝ KULIČKOVÝ PRO POSUVNÉ ZAVĚŠENÉ DVEŘE, VRATA A SVĚTLOLAMY
 (RO) CĂRUCIOR PE DOUĂ ROȚI LAGĂR DESCHIS PENTRU UȘILE GLISANTE ȘI ÎNCHIZĂTOARE
 (HR) NOSAČ S DVA KOTAČA OTVORENIH LEŽAJA ZA KLIZNA VRATA I ŽALUZINE
 (RUS) ТЕЛЕЖКА ДВУХРОЛИКОВАЯ ШАРИКОВАЯ ДЛЯ РАЗДВИЖНЫХ ПОДВЕСНЫХ ДВЕРЕЙ, ВОРОТ И ЖАЛЮЗЕЙ
 (SLO) VOZIČEK Z DVEMA KOLESOMA Z ODPRTIM LEŽAJEM ZA DRSNNA VRATA IN ŽALUZIJE
 (TR) SÜRGÜLÜ KAPILAR VE OPTÜRATÖRLER İÇİN İKİ TEKERLEKLİ AÇIK RULMANLI TAŞIYICI
 (AR) عربة ذات محامل مقفولة مزودة بمحامل للأبواب والرفقات
 (CHN) 滑动门与百叶窗双轮开放轴承滑架
 (MAL) PENYORONG BEARING TERBUKA DUA RODA UNTUK PINTU DAN PENUTUP GELONGSOR
 (H) KÉT GÖRGÖS CSAPÁGYÁS FUTÓKÖCSI TOLÓAJTÓKHOZ ÉS ZSILÍPEKHEZ
 (IL) עגלה תמלה שני גלגלים מפותח סיסטם
 (BG) КОЛИЧКА С ДВЕ РОЛКИ И ОТКРИТИ ЛАГЕРИ ЗА ПЛЪЗГАЩИ ВРАТИ И КАПАЦИ
 (KO) 슬라이딩 도어 및 셔터용 이중 휠 개방식 베어링 이송대
 (SRB) NOSAČ SA DVA TOČIČKA OTVORENIH LEŽAJA ZA KLIZNA VRATA I ŽALUZINE KAPLJE

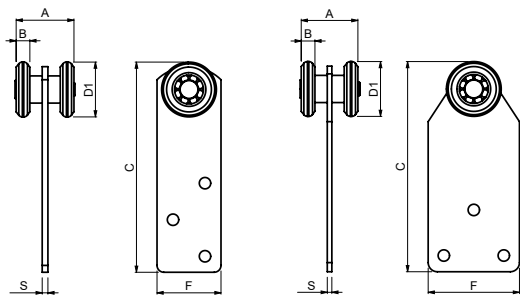
Art.	D1	A	B	C	F	G	M	S	GUIDE	CAPACITY	1pc	CODE		
										kg	kg	pcs	kg	
2 SC	24	25	6	48	46	36	M8x35	2,5	STRELA 33	35	0,13	20	2,6	1700126



- (GB) FOUR WHEELED OPEN BEARING CARRIAGE FOR SLIDING DOORS AND SHUTTERS
 (D) LAUFWAGEN MIT VIER LAUFRÄDERN FÜR FALT- UND SCHIEBETÖRE, KUGELGELAGERT
 (F) CHARIOT QUATRE ROUES À ROULEMENT OUVERT POUR PORTES COULISSANTES ET VOLETS
 (E) CARRIL DE RODAMIENTO ABIERTO CON CUATRO RUEDAS PARA POSTIGOS Y PUERTAS CORREDERAS
 (P) CORREDIÇA DE ROLAMENTO ABERTO COM QUATRO ROLDANAS PARA PORTAS E PERSIANAS DESLIZANTES
 (I) CARRELLO A CUSCINETTI APERTI, CON QUATTRO RUOTE, PER PORTE E SERRANDE SCORREVOLI
 (DK) FIREHJULET ÅBEN LEJESLÆDE TIL SKYDEDØRE OG LUKKERE
 (NL) VIERVOUDIG WIELENBLOK MET OPEN LAGER VOOR SCHUIFDEUREN EN LUIKEN
 (N) FIREHJULS ÅPENT GLIDELAGER FOR SKYVEDØRER OG -SKODDER
 (S) FYRHJULAD ÖPPEN LAGRAD VÄGN FÖR SKJUTBARA DÖRRAR OCH FÖNSTERLUCKOR
 (FIN) NELIPYÖRÄINEN AVOIMEN LAAKERIN ALUSTA LIUKUOVIIN JA -LUUKKUIHIN
 (PL) WÓZEK 4-ROLKOWY Z OTWARTYMI ŁOŻYSKAMI DO DRZWI PRZESUWNYCH I ŻALUZJI
 (SK) VOZÍK ŠTVORKOLESKOVÝ GULČIKOVÝ PRE POSUVNÉ ZÁVESNÉ DVERE, BRÁNY A SVETĽOLAMY
 (EE) NELJARATTALINE AVATUD LAAGRI SUPORT LIUGUSTE JA -LUUKIDE JAOKS
 (LT) ATVIRAS GUOLIO VEŽIMĖLIS SU KETURIAIS RATUKAIS STUMDOMOSIOMS DURIMS IR LANGINEMS
 (LV) ATVERTS NESOŠAIS ČETRU RUĻĻU BLOKS BĪDĀMAJĀM DURVIM UN AIZBĪDNIEM

- (CZ) VOZÍK ČTYŘKOLEVÝ KULIČKOVÝ PRO POSUVNÉ ZAVĚŠENÉ DVEŘE, VRATA A SVĚTLOLAMY
 (RO) CĂRUCIOR PE PATRU ROȚI LAGĂR DESCHIS PENTRU UȘILE GLISANTE ȘI ÎNCHIZĂTOARE
 (HR) NOSAČ S ČETIRI KOTAČA OTVORENIH LEŽAJA ZA KLIZNA VRATA I ŽALUZINE
 (RUS) ТЕЛЕЖКА ЧЕТЫРЕХРОЛИКОВАЯ ШАРИКОВАЯ ДЛЯ РАЗДВИЖНЫХ ПОДВЕСНЫХ ДВЕРЕЙ, ВОРОТ И ЖАЛЮЗЕЙ
 (SLO) VOZIČEK S ŠTIRIM KOLESI Z ODPRTIM LEŽAJEM ZA DRSNNA VRATA IN ŽALUZIJE
 (TR) SÜRGÜLÜ KAPILAR VE OPTÜRATÖRLER İÇİN DÖRT TEKERLEKLİ AÇIK RULMANLI TAŞIYICI
 (AR) عربة ذات محامل مقفولة مزودة بأربع محامل للأبواب والرفقات
 (CHN) 滑动门与百叶窗四轮开放轴承滑架
 (MAL) PENYORONG BEARING TERBUKA EMPAT RODA UNTUK PINTU DAN PENUTUP GELONGSOR
 (H) NÉGYGÖRGÖS CSAPÁGYÁS FUTÓKÖCSI TOLÓAJTÓKHOZ ÉS ZSILÍPEKHEZ
 (IL) עגלה תמלה מפותח מזרוע מפותח מפותח מפותח מפותח
 (BG) КОЛИЧКА С ЧЕТИРИ РОЛКИ И ОТКРИТИ ЛАГЕРИ ЗА ПЛЪЗГАЩИ ВРАТИ И КАПАЦИ
 (KO) 슬라이딩 도어 및 셔터용 사중 휠 개방식 베어링 이송대
 (SRB) NOSAČ SA ČETIRI TOČIČKA OTVORENIH LEŽAJA ZA KLIZNA VRATA I ŽALUZINE KAPLJE

Art.	D1	A	B	C	F	G	K	L	M	S	T	CAPACITY	1pc	CODE		
	∅											kg	kg	pcs	kg	
4 SC	24	25	6	48	46	36	30	54	M8x35	2,5	STRELA 33	55	0,17	20	3,4	1700127



2 SCTS

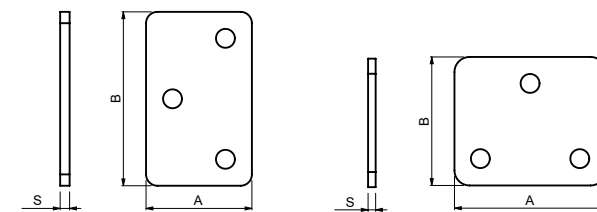
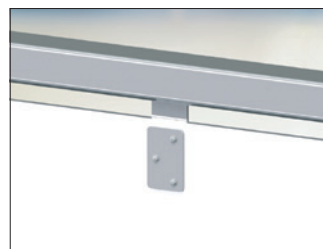
2 SCTL



- (GB) TWO WHEELED OPEN BEARING CARRIAGE FOR SLIDING CURTAINS
- (D) LAUFWAGEN MIT ZWEI LAUFRÄDERN FÜR FALT- UND SCHIEBETÖRE
- (F) CHARIOT DEUX ROUES À ROULEMENT OUVERT POUR RIDEAUX COULISSANTS
- (E) CARRIL DE RODAMIENTO ABIERTO DE DOS RUEDAS PARA CORTINAS CORREDERAS
- (P) CORREDIÇA DE ROLAMENTO ABERTO COM DUAS ROLDANAS PARA CORTINAS DESLIZANTES
- (I) CARRELLO A CUSCINETTI APERTI, CON DUE RUOTE, PER TENDE SCORREVOLI
- (DK) TOHJULET ABEN LEJESLÆDE TIL SKYDEGARDINER
- (NL) DUBBEL WIELENBLOK MET OPEN LAGER VOOR SCHERMEN
- (N) TOHJULS ÅPENT GLIDELAGER FOR SKYVEGARDINER
- (S) TVÅHJULAD ÖPPEN LAGRAD VÄGN FÖR SKJUTBARA GARDINER
- (FIN) KAKSIPYÖRÄINEN AVOIMEN LAAKERIN ALUSTA LIUKUVERHOIHIN
- (PL) WÓZEK 2-ROLKOWY Z OTWARTYMI ŁOŻYSKAMI DO ŻALUZJI PRZESUWNYCH
- (SK) VOZÍK DVOJKOLIESKOVÝ GULÍČKOVÝ PRE POSUVNÉ ZÁVESNÉ ZÁVESY A PLACHTY
- (EE) KAHERATTALINE AVATUD LAAGRI SUPORT KARDINATE JAOKS
- (LT) ATVIRAS GUOLIO VEŽIMĖLIS SU DVIEM RATUKAIS STUMDOMOSIOMS UŽUOLAIDOMS
- (LV) ATVĒRTS NESOŠAIS DIVU RUĻĻU BLOKS BĪDĀMO PANEĻU AIZKARIEM

- (CZ) VOZÍK DVOUKOLOVÝ KULIČKOVÝ PRO POSUVNÉ ZÁVESNÉ ZÁVESY A PLACHTY
- (RO) CĂRUȚIOR PE DOUĂ ROTI LAGĂR DESCHIS PENTRU CORTINELE GLISANTE
- (HR) NOSAČ S DVA KOTAČA OTVORENIH LEŽAJA ZA KLIZNE ZASTORE
- (RUS) ТЕЛЕЖКА ДВУХРОЛИКОВАЯ ШАРИКОВАЯ ДЛЯ РАЗДВИЖНЫХ ПОДВЕСНЫХ ЗАНАВЕСОВ И ПЕРЕГОРОДОК
- (SLO) VOZIČEK Z DVEMA KOLESOMA Z ODPRTIM LEŽAJEM ZA DRSNÉ ŽALUZIJE
- (TR) SÜRGÜLÜ PERDELER İÇİN İKİ TEKERLEKLİ AÇIK RULMANLI TAŞIYICI
- (AR) عربة بحمل مفتوح مزودة بعجلتين للسائق المنزلقة
- (CHN) 滑动窗带双轮开放轴承滑架
- (MAL) PENYORONG BEARING TERBUKA DUA RODA UNTUK LANGSIR GELONGSOR
- (H) KÉTGÖRGŐS CSAPÁGYAS FUTÓKOSCI FÜGGÖNYÖKHÖZ
- (IL) גלגל פתוח עם שתי גלגלים מרכזיים לנעילת חלונות מותנפים
- (BG) КОЛИЧКА С ДВЕ РОЛКИ И ОТКРИТИ ЛАГЕРИ ЗА ПЛЪЗГАЩИ ПРЕГРАДИ
- (KO) 슬라이딩 도어 및 커튼용 이중 휠 개방식 베어링 이송대
- (SRB) NOSAČ SA DVA TOČKIČA OTVORENIH LEŽAJA ZA KLIZNE ZAVESE

Art.	D1	A	B	C	F	S	GUIDE	CAPACITY	1pc	Image		CODE
										kg	kg	
2 SCTS	24	25	6	92	28	2	STRELA 33	35	0,08	50	4	1700128
2 SCTL	24	25	6	92	40	2	STRELA 33	35	0,09	50	4,5	1700130



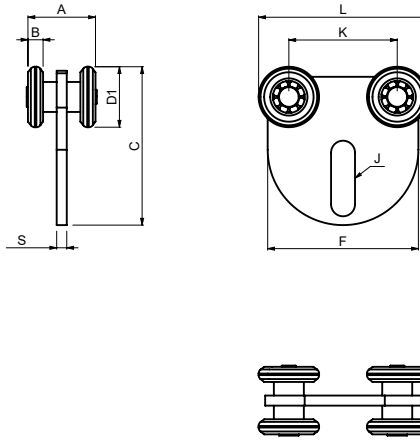
SCTS

SCTL

- (GB) FIXING PLATE FOR TWO WHEELED OPEN BEARING CARRIAGE FOR SLIDING CURTAINS
- (D) FIXIERUNGSPLATTE FÜR LAUFWAGEN 2 SCTS, 2 SCTL
- (F) PLATINE DE FIXATION POUR CHARIOT DEUX ROUES À ROULEMENT OUVERT POUR RIDEAUX COULISSANTS
- (E) PLATO DE FIJACION PAR CARRIL DE RODAMIENTO ABIERTO DE DOS RUEDAS PARA CORTINAS CORREDERAS
- (P) PLACA DE FIXAÇÃO PARA CORREDIÇA DE ROLAMENTO ABERTO COM DUAS ROLDANAS PARA CORTINAS DESLIZANTES
- (I) PIASTRA DI FISSAGGIO PER CARRELLO A CUSCINETTI APERTI, CON DUE RUOTE, PER TENDE SCORREVOLI
- (DK) FASTGØRELSEPLADE TIL TOHJULET ABEN LEJESLÆDE TIL SKYDEGARDINER
- (NL) BEVESTIGINGSPLAAT VOOR DUBBEL WIELENBLOK MET OPEN LAGER VOOR SCHUIFSCHERMEN
- (N) FESTEPLATE TIL TOHJULS ÅPENT GLIDELAGER FOR SKYVEGARDINER
- (S) FÄSTPLATTA FÖR TVÅHJULAD ÖPPEN LAGRAD VÄGN FÖR SKJUTBARA GARDINER
- (FIN) KIINNITYSLYEVY KAKSIPYÖRÄISEEN AVOIMEN LAAKERIN ALUSTAA LIUKUVERHOIHIN
- (PL) PŁYTKA MOCUJĄCA DO WÓZKA 2-ROLKOWEGO Z OTWARTYMI ŁOŻYSKAMI DO ŻALUZJI PRZESUWNYCH
- (SK) PLATŇA PRE VOZÍK 2 SCTS, 2 SCTL
- (EE) FIKSEERIMISPLAAT KAHERATTALISE AVATUD LAAGRI SUPORDILE KARDINATE JAOKS
- (LT) TVIRTINIMO PLOKŠTELĖ ATVIRAM GUOLIO VEŽIMĖLIUI SU DVIEM RATUKAIS STUMDOMOSIOMS UŽUOLAIDOMS
- (LV) ATVĒRTA NESOŠĀ DIVU RUĻĻU BLOKA FIKSEJOŠĀ PLĀKSNE BĪDĀMO PANEĻU AIZKARIEM

- (CZ) PLOTNA PRO VOZÍK 2 SCTS, 2 SCTL
- (RO) PLACĂ DE FIXARE PENTRU CĂRUȚIOR PE DOUĂ ROTI LAGĂR DESCHIS PENTRU CORTINELE GLISANTE
- (HR) UGRADBENA PLOČA ZA NOSAČ S DVA KOTAČA OTVORENIH LEŽAJA ZA KLIZNE ZASTORE
- (RUS) ПЛАСТИНА ДЛЯ ДВУХРОЛИКОВОЙ ШАРИКОВОЙ ТЕЛЕЖКИ 2 SCTS, 2 SCTL ДЛЯ РАЗДВИЖНЫХ ПОДВЕСНЫХ ЗАНАВЕСОВ И ПЕРЕГОРОДОК
- (SLO) PRITRDLINA PLOŠČA ZA VOZIČEK Z DVEMA KOLESOMA Z ODPRTIM LEŽAJEM ZA DRSNÉ ŽALUZIJE
- (TR) İKİ TEKERLEKLİ AÇIK RULMANLI SÜRGÜLÜ PERDE TAŞIYICISI İÇİN SABİTLEME PLAKASI
- (AR) لوحة تثبيت من أجل عربة بحمل مفتوح مزودة بعجلتين للسائق المنزلقة
- (CHN) 滑动窗带双轮开放轴承滑架固定板
- (MAL) PLAT PENETAP UNTUK PENYORONG BEARING TERBUKA DUA RODA UNTUK LANGSIR GELONGSOR
- (H) RÖGZÍTŐLEMEZ A KÉTGÖRGŐS CSAPÁGYAS FÜGGÖNY-FUTÓKOSCIKHÖZ
- (IL) מוטת תמיכה לנעילת חלונות מותנפים
- (BG) ФИКСИРАЩА ПЛАНКА ЗА КОЛИЧКА С ДВЕ РОЛКИ И ОТКРИТИ ЛАГЕРИ ЗА ПЛЪЗГАЩИ ПРЕГРАДИ
- (KO) 슬라이딩 도어 및 커튼용 이중 휠 개방식 베어링 이송대의 고정판
- (SRB) UGRADNA PLOČA ZA NOSAČ SA DVA TOČKIČA OTVORENIH LEŽAJA ZA KLIZNE ZAVESE

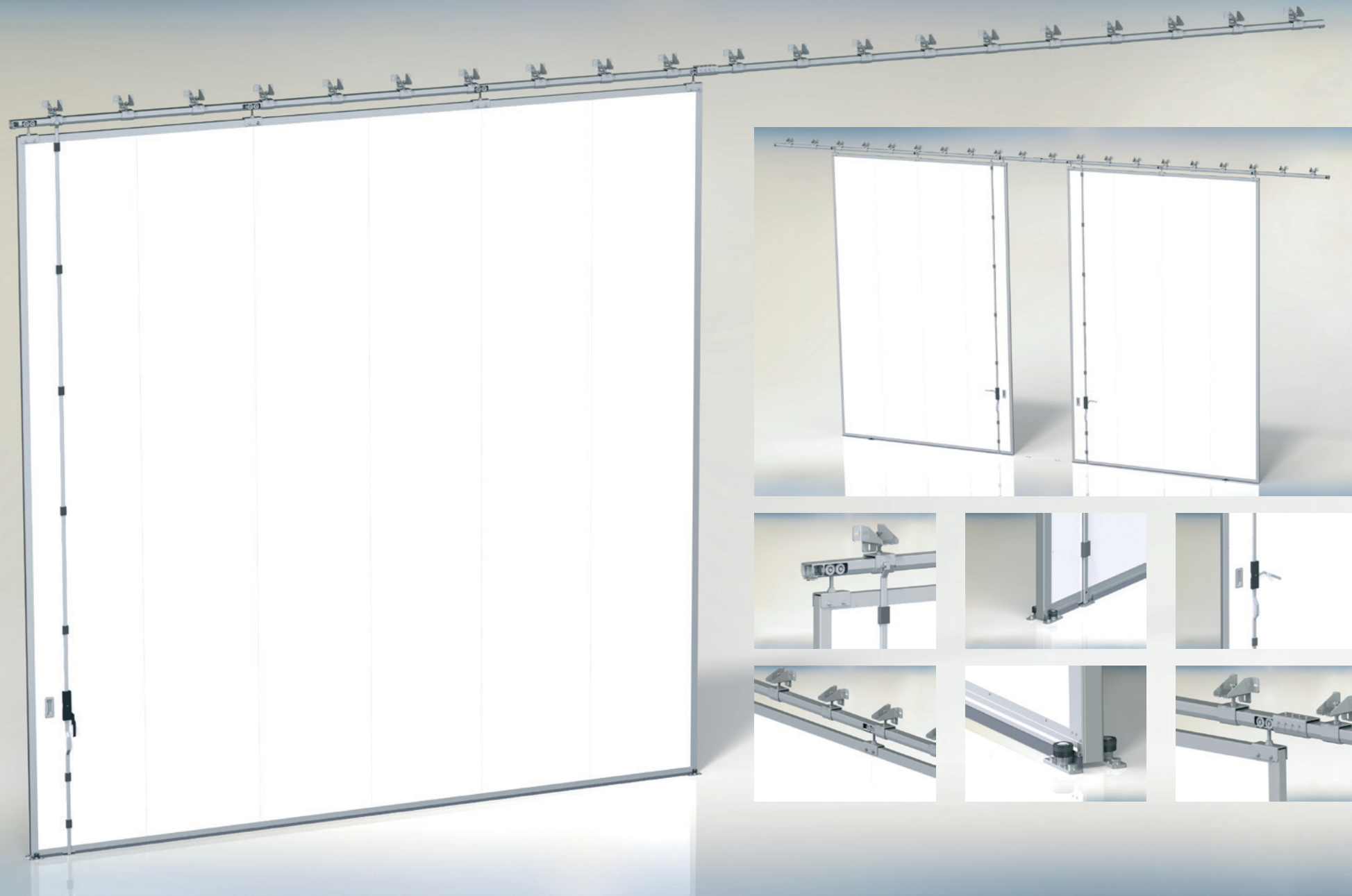
Art.	A	B	S	CARRIAGE	1pc	Image		CODE
						kg	pcs	
SCTS	28	46	2	2 SCTS	0,02	50	1	1700129
SCTL	40	34	2	2 SCTL	0,02	50	1	1700131



- (GB) UNIVERSAL FOUR WHEELED OPEN BEARING CARRIAGE
 (D) LAUFWAGEN MIT VIER LAUFRÄDERN KUGELGELAGERT, UNIVERSAL
 (F) CHARIOT UNIVERSEL QUATRE ROUES À ROULEMENT OUVERT
 (E) UNIVERSAL PARA CARRIL DE RODAMIENTO ABIERTO DE CUATRO RUEDAS
 (P) CORRREDIÇA UNIVERSAL DE ROLAMENTO ABERTO DE QUATRO ROLDANAS
 (I) CARRELLO A CUSCINETTI APERTI, CON QUATTRO RUOTE, UNIVERSALE
 (DK) UNIVERSAL FIREHJULET ÅBEN LEJESLÆDE
 (NL) UNIVERSEEL VIERVOUDIG OPEN WIELBLOK
 (N) UNIVERSAL FIREHJULS ÅPENT GLIDELAGER
 (S) UNIVERSAL FYRHJULAD ÖPPEN LAGRAD VAGN
 (FIN) YLEINEN NELIPYÖRÄINEN AVOIMEN LAAKERIN ALUSTA
 (PL) UNIWERSALNY WÓZEK 4-ROLKOWY Z OTWARTYMI ŁOŻYSKAMI
 (SK) VOZÍK ŠTVORKOLIEČKOVÝ GULIČKOVÝ UNIVERZÁLNY
 (EE) UNIVERSAALNE NELJÄRATTALINE AVATUD LAAGRIGA SUPOUT
 (LT) UNIVERSALUS ATVIRAS GUOLIŲ VĖŽIMĖLIS SU KETURIAIS RATUKAIS
 (LV) UNIVERSĀLS ATVĒRTS NESOŠAIS ČETRŪ RUĻŲ BLOKS

- (CZ) VOZÍK ČTYŘKOLOVÝ KULIČKOVÝ UNIVERZÁLNI
 (RO) CĂRUȚIOR PE PATRU ROȚI LAGĂR DESCHIS UNIVERSAL
 (HR) UNIVERZALNI NOSAČ S ČETIRI KOTAČA OTVORENIH LEŽAJA
 (RUS) ТЕЛЕЖКА ЧЕТЫРЕХРОЛИКОВАЯ ШАРИКОВАЯ УНИВЕРСАЛЬНАЯ
 (SLO) UNIVERZALNI VOZIČEK S ŠTIRIMI KOLESI Z ODPRTIM LEŽAJEM
 (TR) UNİVERSAL DÖRT TEKERLEKLİ AÇIK RULMANLI TAŞIYICI
 (AR) عربة بمحمل مفتوحة وبأربعة العجلات شاملة
 (CHN) 通用四轮开放轴承滑架
 (MAL) PENYORONG BEARING TERBUKA EMPAT RODA UNIVERSAL
 (H) UNIVERZÁLIS, NÉGYGÖRGÖS CSAPÁGYAS FUTÓKOCSI
 (IL) עגלה מתלה ארבעה גלגלים מסיב פתוח אוניברסלי
 (BG) УНИВЕРСАЛНА КОЛИЧКА С ЧЕТИРИ РОЛКИ И ОТКРИТИ ЛАГЕРИ
 (KO) 범용 사중 휠 개방식 베어링 이송대
 (SRB) UNIVERZALNI NOSAČ SA ČETIRI TOČKIĆA OTVORENIH LEŽAJA

Art.	D1	A	B	C	F	J	K	L	S	GUIDE	CAPACITY	1pc	CODE		
	∅	mm										kg	kg	pcs	kg
4 SCML	24	25	6	61	60	10x30	42	65	4	STRELA 33	60	0,16	20	3,2	1700132



 **SLIDING DOORS**

HARDWARE FOR HEAVY SLIDING DOORS

COMPONENTS & DIMENSIONS									6 m / 960 kg
CARRIAGE	GUIDE	SUPPORT	NUMBER SUPPORT	NUMBER CARRIAGE	NUMBER SUPPORT	LENGTH WING	DISTANCE BETWEEN SUPPORT	MAX. CAPACITY WING	
			DC 70/KHL	SPEED C	AD 150	L	A	TO 6000 mm	
			pcs				mm	kg	
SPEED C	STAGE SZ	DC 70/KHL	25	4	4	6000	500	1200	
SPEED C	STAGE SZ	DC 70/KHL	20	4	4	6000	650	960	

COMPONENTS & DIMENSIONS									4 m / 640 kg
CARRIAGE	GUIDE	SUPPORT	NUMBER SUPPORT	NUMBER CARRIAGE	NUMBER SUPPORT	LENGTH WING	DISTANCE BETWEEN SUPPORT	MAX. CAPACITY WING	
			DC 70/KHL	SPEED C	AD 150	L	A	TO 4000 mm	
			pcs				mm	kg	
SPEED C	STAGE SZ	DC 70/KHL	17	3	3	4000	500	800	
SPEED C	STAGE SZ	DC 70/KHL	14	3	3	4000	650	640	

COMPONENTS & DIMENSIONS									2 m / 320 kg
CARRIAGE	GUIDE	SUPPORT	NUMBER SUPPORT	NUMBER CARRIAGE	NUMBER SUPPORT	LENGTH WING	DISTANCE BETWEEN SUPPORT	MAX. CAPACITY WING	
			DC 70/KHL	SPEED C	AD 150	L	A	TO 2000 mm	
			pcs				mm	kg	
SPEED C	STAGE SZ	DC 70/KHL	9	2	2	2000	500	400	
SPEED C	STAGE SZ	DC 70/KHL	8	2	2	2000	650	320	



GERMAN STEEL



NO WELDING REQUIRED

270 g/m²

HOT DIPPED GALVANIZED

46 mm

SLIM LEAF



EASY ASSEMBLY

NO LIMIT

LINEAR INSTALLATION WITHOUT LIMITS



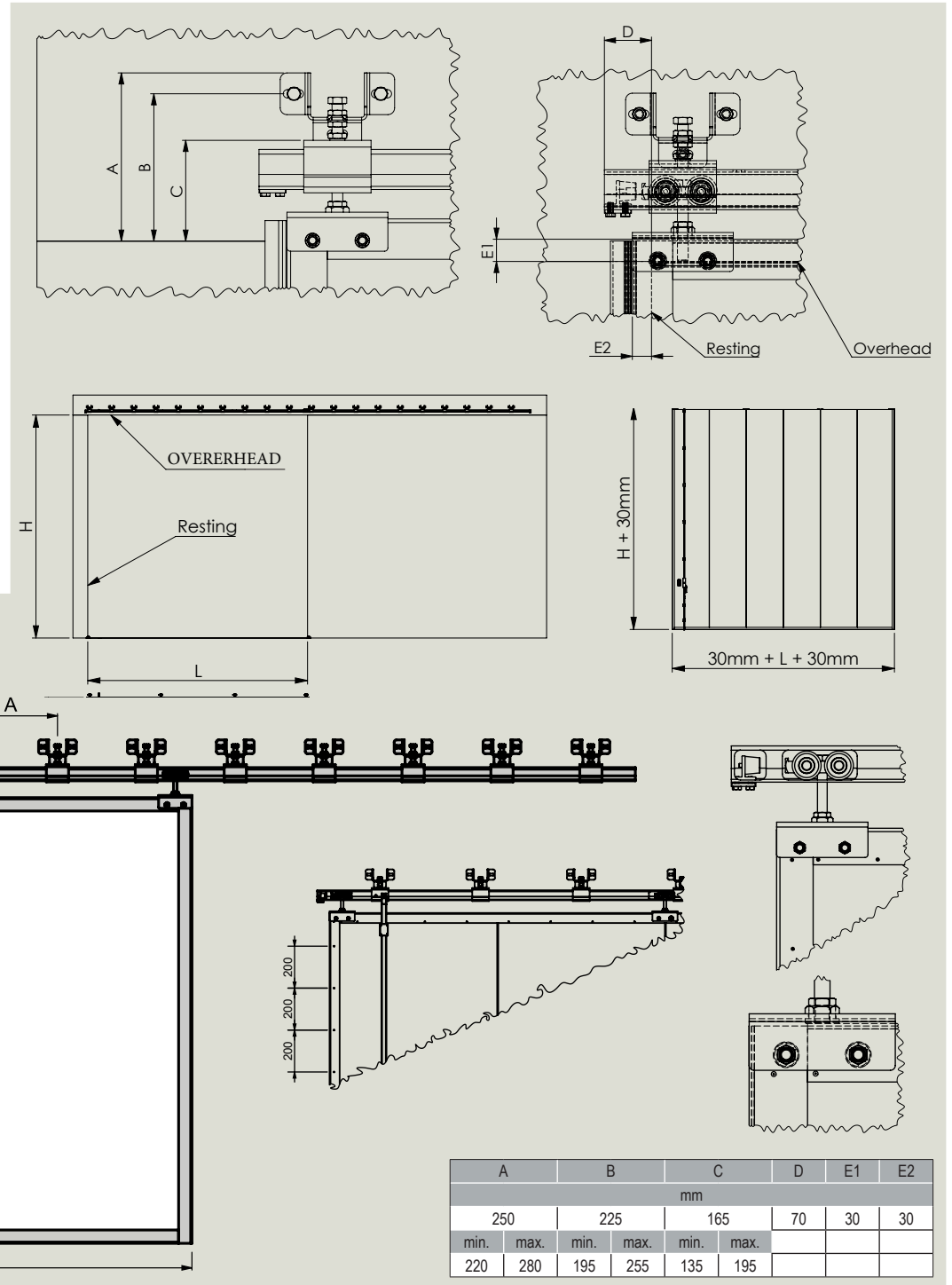
+ 50°C TESTED & PROVEN



- 37°C TESTED & PROVEN

INT EXT

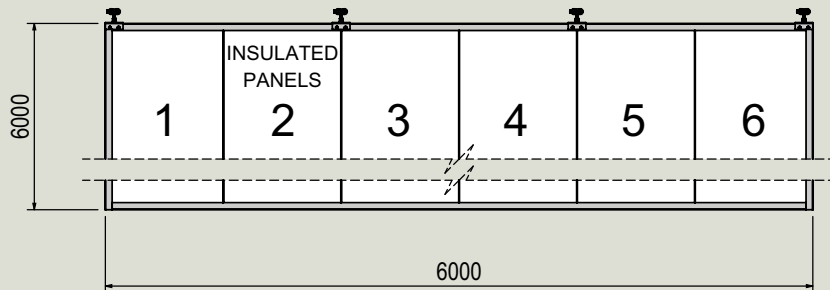
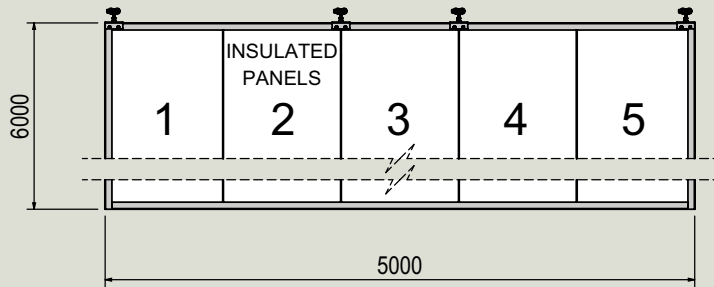
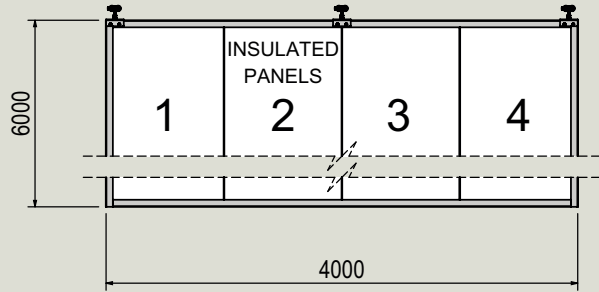
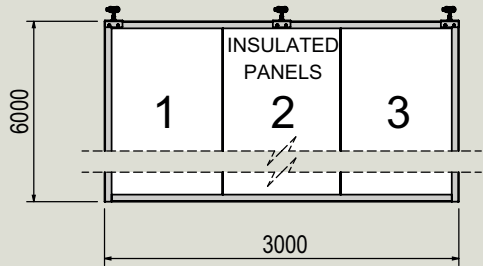
SUITABLE FOR INTERNAL AND EXTERNAL INSTALLATION



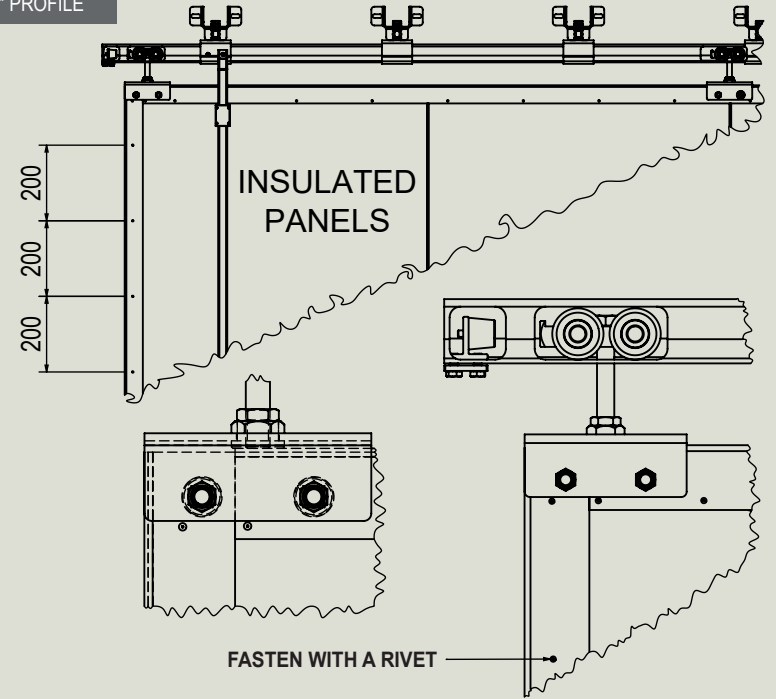
A		B		C		D	E1	E2
mm								
min.	max.	min.	max.	min.	max.			
220	280	195	255	135	195			

RECOMMENDED INSTALLATION

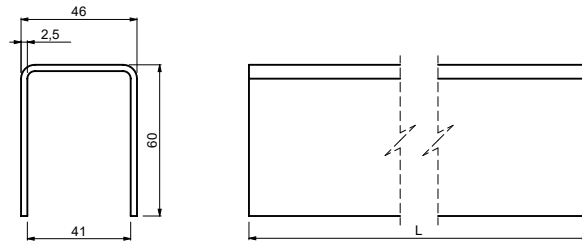
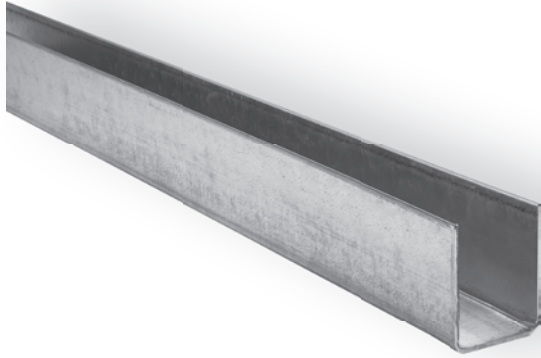
CARRIAGES - BRACKET SUPPORT - INSULATED PANELS - „U“ PROFILE



SAFETY MEASURES - POSITIONING GUIDELINES
INSULATED PANELS - SUPPORT BRACKETS - CARRIAGES




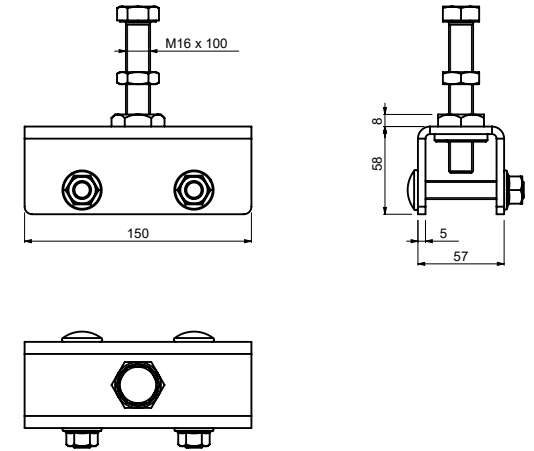
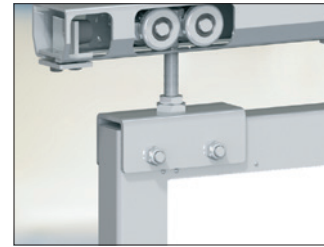
RIVETING
„U“ PROFILE FRAME AND INSULATED PANELS MUST BE FASTENED FROM BOTH SIDES BY RIVETS EVERY 200 mm



- (GB) „U“ PROFILE FRAME FOR SLIDING DOOR
- (D) „U“-PROFILRAHMEN FÜR SCHIEBETÜR
- (F) CADRE DE PROFIL EN „U“ POUR PORTAIL COULISSANT
- (E) BASTIDOR DE PERFIL EN „U“ PARA PUERTA DESLIZANTE
- (P) MOLDURA DE PERFIL „U“ PARA PORTÃO DESLIZANTE
- (I) TELAIO DAL PROFILO A „U“ PER PORTA SCORREVOLE
- (DK) „U“ PROFILRAMME TIL SKYVEDØR
- (NL) „U“ PROFIELFRAME VOOR SCHUIVENDE DEUR
- (N) „U“ PROFIL RAMME FOR SKYVEDØR
- (S) „U“ PROFILRAM FÖR SKJUTDÖRR
- (FIN) „U“-PROFILINEN KEHYS LIUKUOVEEN
- (PL) RAMA O PROFILU „U“ DO DRZWI PRZESUWNYCH
- (SK) PROFILOVÝ RÁM V TVARE „U“ PRE POSUVNÉ DVĚRE
- (EE) „U“-PROFIILI RAAM LIUGUKSE JAOKS
- (LT) „U“ FORMOS PROFILIUOTAS RĒMAS STUMDOMOSIOMS DURIMS
- (LV) „U“ VEIDA PROFILA RĀMIS BĪDĀMAJĀM DURVĪM


- (CZ) „U“ PROFIL RÁM PRO POSUVNÉ VRATA
- (RO) CADRU PROFIL ÎN FORMĂ DE „U“ PENTRU UȘI CULISANTE
- (HR) „U“ PROFILNI OKVIR ZA KLIZNA VRATA
- (RUS) РАМА ПРОФИЛЯ «U» ДЛЯ РАЗДВИЖНЫХ ДВЕРЕЙ
- (SLO) OKVIR Z „U“ PROFILOM ZA DRSNNA VRATA
- (TR) SÜRGÜLÜ KAPI İÇİN „U“ PROFİL ÇERÇEVESİ
- (AR) إطار قطاع على شكل حرف „U“ للباب المنزلقي
- (CHN) 滑动门U型框
- (MAL) BINGKAI PROFIL „U“ UNTUK PINTU GELONGSOR
- (H) U-VEZETŐSÍN TOLÓAJTÓHOZ
- (IL) לוללות הזזה U מסגרת מפרופיל מוביל צורת
- (BG) „U“-ПРОФИЛНА РАМКА ЗА ПЛЪЗГАЩА ВРАТА
- (KO) 슬라이딩 도어용 „U“자형 프로필 프레임
- (SRB) RAM „U“ PROFILA ZA KLIZNA VRATA

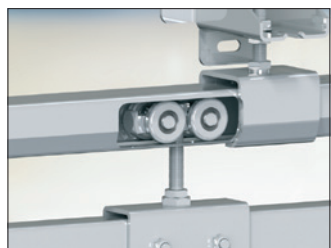
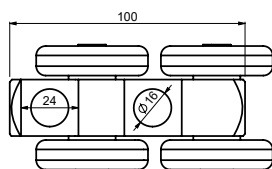
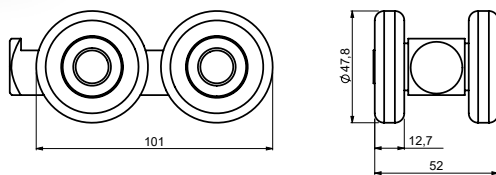
Art.	SUPPORT BRACKET	SURFACE FINISH	L/1pc	1pc			CODE
					pcs	kg	
MCD 60/6	AD 150	GALVANIZED	6000	18,54	40	741,6	1720095
MCD 60/4	AD 150	GALVANIZED	4000	13,16	40	526,4	1720096



- (GB) UPPER ADJUSTABLE BRACKET SUPPORT FOR „U“ PROFILE FRAME SLIDING DOOR
- (D) OBERE EINSTELLBARE HALTERUNGSSTÜTZE FÜR SCHIEBETÜR MIT „U“-PROFILRAHMEN
- (F) SUPPORT SUPERIEUR RÉGLABLE POUR PORTAIL COULISSANT À CADRE PROFILÉ EN „U“
- (E) SOPORTE AJUSTABLE SUPERIOR PARA PUERTA DESLIZANTE CON BASTIDOR DE PERFIL EN „U“
- (P) SUPORTE DE SUPORTE AJUSTÁVEL SUPERIOR PARA PORTÃO DESLIZANTE DE MOLDURA DE PERFIL „U“
- (I) SOSTEGNO STAFFA SUPERIORE REGOLABILE PER PORTA SCORREVOLE CON TELAIO DAL PROFILO A „U“
- (DK) ØVERSTE INDSTILLELIGE BESLAGSTØTTE TIL „U“ PROFILRAMME SKYVEDØR
- (NL) BOVENSTE VERSTELBARE BEVESTIGINGSBEUGELSTEUN VOOR „U“ PROFIELFRAME SCHUIVENDE DEUR
- (N) ØVRE JUSTERBARE BRACKETSTØTTE FOR „U“ PROFILRAMME SKYVEDØR
- (S) ØVRE JUSTERBART KONSOLSTÖD FÖR „U“ PROFILRAM SKJUTDÖRR
- (FIN) SÄÄDETTÄVÄ KANNATTIMEN YLÄTUKI „U“-PROFILINEN KEHYS LIUKUOVEEN
- (PL) GÓRNY REGULOWANY WSPORNIK DO RAMY O PROFILU „U“ DO DRZWI PRZESUWNYCH
- (SK) HORNÁ NASTAVITELNÁ KONZOLA PRE POSUVNÉ DVĚRE PRE PROFILOVÉ RÁMY V TVARE „U“
- (EE) ÜLEMINE REGULEERITAV KLAMBRITUGI „U“-PROFIILI RAAMI LIUGUKSE JAOKS
- (LT) VIRŠUTINĖ REGULIUOJAMA LAIKIKLIO ATRAMA STUMDOMOSIOMS DURIMS SU „U“ FORMOS PROFILIUOTU RĒMU
- (LV) REGULĒJAMS AUGŠĒJAIS BALSTA KRONŠTEINS BĪDĀMAJĀM DURVĪM AR „U“ VEIDA PROFILA RĀMI

- (CZ) DRŽÁK „U“ PROFILU PRO POSUVNÉ VRATA
- (RO) SUPORT SUPERIOR REGLABIL ÎN CONSOLĂ PENTRU UȘI CULISANTE CU CADRU DE PROFIL ÎN FORMĂ DE „U“
- (HR) GORNJI PRILAGODLJIVI POTPORANI NOSAČA ZA KLIZNA VRATA „U“ PROFILNOG OKVIRA
- (RUS) ВЕРХНИЙ РЕГУЛИРУЕМЫЙ ОПОРНЫЙ КРОНШТЕЙН ДЛЯ РАМЫ РАЗДВИЖНЫХ ДВЕРЕЙ, ПРОФИЛЬ «U»
- (SLO) ZGORNJI NASTAVLJIVI PODPORNI NOSILEC ZA OKVIR Z „U“ PROFILOM ZA DRSNNA VRATA
- (TR) „U“ PROFİL ÇERÇEVESİ SÜRGÜLÜ KAPI İÇİN ÜST AYARLANABİLİR BRAKET DESTEĞİ
- (AR) سادة دعامة علوية قابلة للتعديل للباب المنزلقي لإطار القطاع على شكل حرف „U“
- (CHN) U型框滑门上都可调节托臂托座
- (MAL) BANTUAN PENDAKAP BOLEH LARAS ATAS UNTUK KAPU PINTU GELONGSOR BINGKAI PROFIL „U“
- (H) FELSŐ ÁLLÍTHATÓ BEFOGÁS U-VEZETŐSÍNES TOLÓAJTÓHOZ
- (IL) לוללות הזזה U פחית תמיכה עליונה מתכווננת למסגרת מפרופיל
- (BG) ГОРНА РЕГУЛИРУЕМА ПОДДЪРЖАЩА СКОБА ЗА „U“-ПРОФИЛНА РАМКА ЗА ПЛЪЗГАЩА ВРАТА
- (KO) „U“자형 프로필 슬라이딩 도어용 상단 조절식 브라켓 지지대
- (SRB) GORNJI PODESIVI KONZONI NOSAČ ZA KLIZNA VRATA „U“ PROFILA

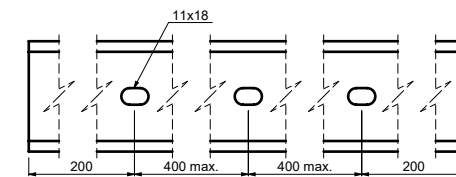
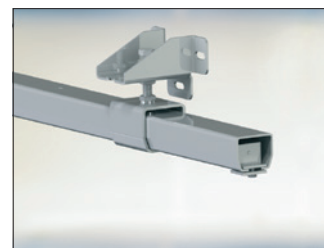
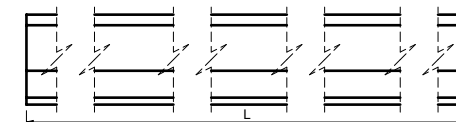
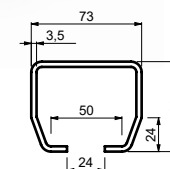
Art.	„U“ PROFILE	1pc			CODE
			pcs	kg	
AD 150	MCD 60	1,31	4	5,24	1700309



- (GB) FOUR WHEELED CARRIAGE FOR SLIDING DOORS
- (D) LAUFWAGEN MIT VIER LAUFRÄDERN FÜR FALT- UND SCHIEBETORE
- (F) CHARIOT QUATRE ROUES POUR PORTES COULISSANTES
- (E) CARRIL DE CUATRO RUEDAS PARA PUERTAS CORREDERAS
- (P) CORREDIÇA DE QUATRO ROLDANAS PARA PORTAS DESLIZANTES
- (I) CARRELLO A QUATTRO RUOTE PER PORTE SCORREVOLI
- (DK) FIREHJULET SLÆDE TIL SKYDEDØRE
- (NL) VIEROUDIG WIELENBLOK VOOR SCHUIFDEUREN
- (N) FIREHJULS GLIDESKINNE TIL SKYVEDØRER
- (S) FYRHJULAD VAGN FÖR SKJUTBARA DÖRRAR
- (FIN) NELIPYÖRÄINEN ALUSTA LIUKUOVIIN
- (PL) WÓZEK 4-ROPKOWY DO DRZWI PRZESUWNYCH
- (SK) VOZÍK ŠTVORKOLIEČKOVÝ LOŽISKOVÝ PRE POSUVNÚ ZÁVESNÚ BRÁNU
- (EE) NELJARATTALINE SUPT LIUGUSTE JAOKS
- (LT) VEŽIMĖLIS SU KETURIAIS RATUKAIS STUMDOMOSIOMS DURIMS
- (LV) ČETRU RUĻĻU BLOKS BĪDĀMAJĀM DURVĪM

- (CZ) VOZÍK ČTYŘKOLOVÝ LOŽISKOVÝ PRO POSUVNÁ ZAVĚŠENÁ VRATA
- (RO) CĂRUCIOR PE PATRU ROTI PENTRU UȘILE GLISANTE
- (HR) NOSAČ S ČETIRI KOTAČA ZA KLIZNA VRATA
- (RUS) ТЕЛЕЖКА ЧЕТЫРЕКОЛЫКОВАЯ ПОДШИПНИКОВАЯ ДЛЯ РАЗДВИЖНЫХ ПОДВЕСНЫХ ПРОМЫШЛЕННЫХ ВОРОТ
- (SLO) VOZIČEK S ŠTIRIMI KOLESI ZA DRSNÁ VRATA
- (TR) SÜRGÜLÜ KAPILAR İÇİN DÖRT TEKERLEKLİ TAŞIYICI
- (AR) عربة زباجية العجلات للأبواب المنزلقة
- (CHN) 滑动门四轮滑架
- (MAL) PENYORONG EMPAT RODA UNTUK PINTU GELONGSOR
- (H) NÉGYGÖRGÖS FUTÓKOCSI TOLÓAJTÓKHOZ
- (IL) עגלה ארבעה גלגלים לדלת חזזה כבדה
- (BG) КОЛИЧКА С ЧЕТИРИ РОЛКИ ЗА ПЛЪЗГАЩИ ВРАТИ
- (KO) 슬라이딩 도어용 사중 휠 이송대
- (SRB) NOSAČ SA ČETIRI TOČKIČA ZA KLIZNA VRATA

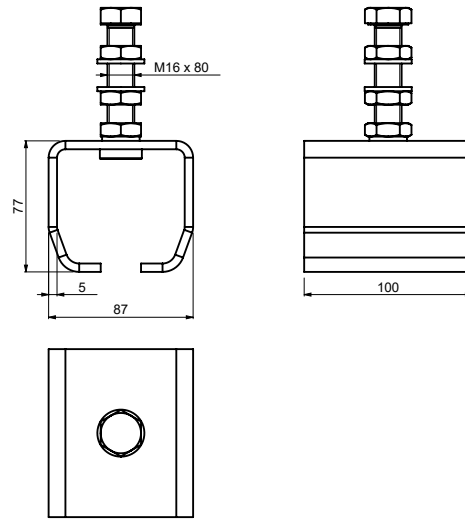
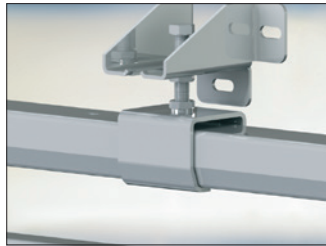
Art.	GUIDE	CAPACITY	1pc		CODE
			kg	pcs	
SPEED C	STAGE SZ	480	0,9	10	1700144



- (GB) „C“ PROFILE GUIDE FOR SLIDING DOORS
- (D) „C“ PROFIL FÜR FALT- UND SCHIEBETORE
- (F) GUIDE À PROFIL EN « C » POUR PORTES COULISSANTES
- (E) GUÍA CON PERFIL "C" PARA PUERTAS CORREDERAS
- (P) GUIA DE PERFIL EM "C" PARA PORTAS DESLIZANTES
- (I) GUIDA CON PROFILO A "C" PER PORTE SCORREVOLI
- (DK) "C" PROFILVANGE TIL SKYDEDØRE
- (NL) "C" PROFIEL GELEIDER VOOR SCHUIFDEUREN
- (N) "C"-PROFILSKINNE TIL SKYVEDØRER
- (S) "C" GEJDPROFIL FÖR SKJUTBARA DÖRRAR
- (FIN) "C"-PROFILLIHOJAIN LIUKUOVIIN
- (PL) SZYNA O PROFILU „C“ DO DRZWI PRZESUWNYCH
- (SK) NOSNÝ „C“ PROFIL PRE POSUVNÉ ZÁVESNÉ BRÁNY
- (EE) "C"-PROFILI JUHUK LIUGUSTE JAOKS
- (LT) „C“ FORMOS PROFILIUOTAS KREIPTUVAS STUMDOMOSIOMS DURIMS
- (LV) „C“ VEIDA PROFILS BĪDĀMAJĀM DURVĪM

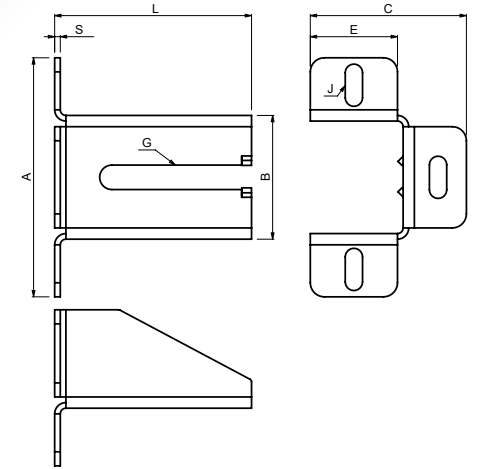
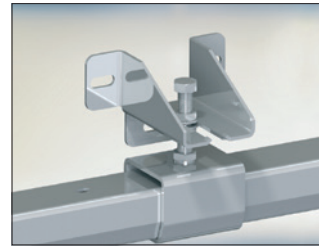
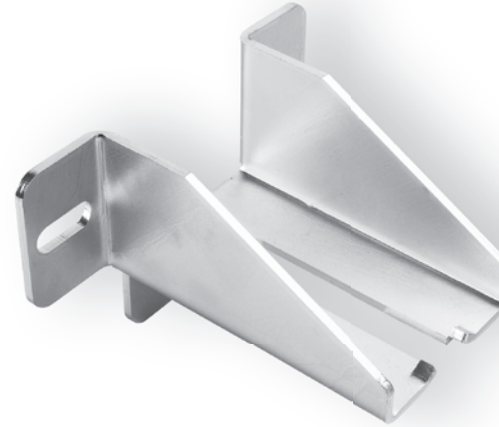
- (CZ) ŠÍNA „C“ PROFIL PRO POSUVNÁ ZAVĚŠENÁ VRATA
- (RO) GHIDAJ CU PROFIL „C“ PENTRU UȘILE GLISANTE
- (HR) VODILICA „C“ PROFILA ZA KLIZNA VRATA
- (RUS) НАПРАВЛЯЮЩИЙ РЕЛЬС / ПРОФИЛЬ «С» ДЛЯ РАЗДВИЖНЫХ ПОДВЕСНЫХ ПРОМЫШЛЕННЫХ ВОРОТ
- (SLO) "C" VODILO ZA DRSNÁ VRATA
- (TR) SÜRGÜLÜ KAPILAR İÇİN "C" PROFİL KIZAĞI
- (AR) لأبواب المنزلقة "C" دعامة نظيلية جانبية
- (CHN) 滑动门"C"型导轨
- (MAL) PANDU PROFIL "C" UNTUK PINTU GELONGSOR
- (H) C-VEZETŐSÍN TOLÓAJTÓKHOZ
- (IL) מסילה לדלת חזזה כבדה
- (BG) "C"-ОБРАЗНА РЕЛСА ЗА ПЛЪЗГАЩИ ВРАТИ
- (KO) 슬라이딩 도어용 "C"자형 프로파일 가이드
- (SRB) VODICA „C“ PROFILA ZA KLIZNA VRATA

Art.	CARRIAGE	SURFACE FINISH	L/1pc	1pc	pcs		CODE
					mm	kg	
STAGE SZ 6	SPEED C	GALVANIZED	6000	33	24	792	1700003
STAGE SZ 5,6	SPEED C	GALVANIZED	5600	30,8	24	739,2	1700177
STAGE SZ 3	SPEED C	GALVANIZED	3000	16,5	24	396	1700168
STAGE SZ 2,8	SPEED C	GALVANIZED	2800	15,4	24	369,6	1720016
STAGE SZ 1	SPEED C	GALVANIZED	1000	5,5	24	132	1720018



- (GB) ADJUSTABLE GUIDE SUPPORT
- (D) HALTERUNG FÜR „C“ PROFIL, REGULIERBAR
- (F) SUPPORT DE GUIDE RÉGLABLE
- (E) SOPORTE DE GUÍA AJUSTABLE
- (P) SUPORTE GUÍA AJUSTÁVEL
- (I) SOSTEGNO PER GUIDA REGOLABILE
- (DK) INDSTILLELIG VANGEUNDERSTØTNING
- (NL) VERSTELBARE GELEIDERSTEUN
- (N) JUSTERBAR STØTTE TIL STYRESKINNE
- (S) JUSTERBART GEJDSTÖD
- (FIN) SÄÄDETTÄVÄ OHJAINUKI
- (PL) REGULOWANY UCHWYT SZYNY
- (SK) DRŽIAK NOSNÉHO „C“ PROFILU HORNÝ, REGULOVATELNÝ
- (EE) REGULEERITAV JUHTTUGI
- (LT) REGULIUOJAMA KREIPTUVO ATRAMA
- (LV) REGULĒJAMS VADOTNES BALSTS

- (CZ) DRŽÁK ŠINY „C“ PROFILU HORNÍ, REGULOVATELNÝ
- (RO) SUPORT GHIDAJ REGLABIL
- (HR) PRILAGODLJIV DRŽAČ VODILICE
- (RUS) КРОНШТЕЙН ДЛЯ НАПРАВЛЯЮЩЕГО РЕЛЬСА «С» ВЕРХНИЙ, РЕГУЛИРУЮЩИЙСЯ
- (SLO) NASTAVLJIVI PODPORNİK VODILA
- (TR) AYARLANABİLİR KIZAK DESTEĞİ
- (AR) الدعامة البديلية القابلة للتعديل
- (CHN) 可调导轨支座
- (MAL) SOKONGAN PANDU BOLEH LARAS
- (H) ÁLLÍTHATÓ VEZETŐSÍN-RÖGZÍTÉS
- (IL) מתקן קיר לתוספת מסילה כבדה
- (BG) РЕГУЛИРУЕМ ДЪРЖАЧ НА РЕЛСА
- (KO) 조절식 가이드 지지대
- (SRB) PODESIVI DRŽAČ VODICE

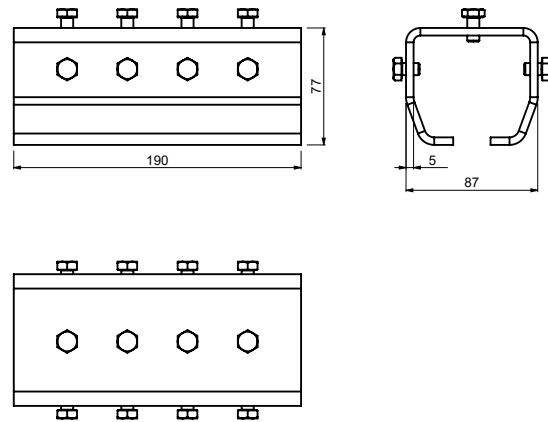
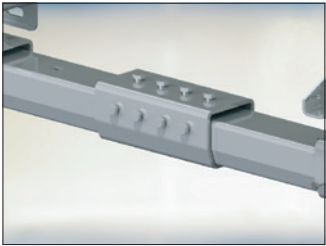
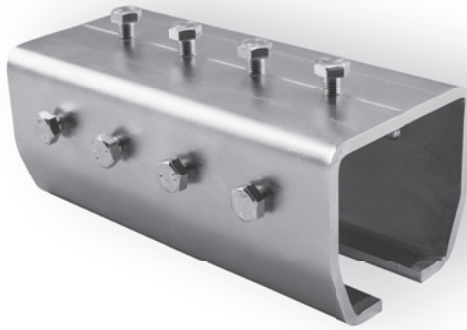


- (GB) ADJUSTABLE BRACKET FOR GUIDE SUPPORT
- (D) KONSOLE FÜR SCHIENENHALTERUNG
- (F) ÉTRIER RÉGLABLE POUR SUPPORT DE GUIDE
- (E) BASE AJUSTABLE PARA SOPORTE DE GUÍA
- (P) SUPORTE AJUSTÁVEL PARA SUPORTE GUÍA
- (I) STAFFA REGOLABILE PER SOSTEGNO DELLA GUIDA
- (DK) INDSTILLELIGT BESLAG TIL VANGEUNDERSTØTNING
- (NL) VERSTELBARE BEUGEL VOOR GELEIDERSTEUN
- (N) JUSTERBAR BRAKETT FOR STYRESKINNE
- (S) JUSTERBAR KONSOL FÖR GEJDSTÖD
- (FIN) SÄÄDETTÄVÄ KANNATIN OHJAINUKKEEN
- (PL) REGULOWANY WSPORNİK DO UCHWYTU SZYNY
- (SK) KONZOLA PRE DRŽIAK NOSNÝCH „C“ PROFILOV
- (EE) REGULEERITAV KLAMBER JUHTTOE JAOKS
- (LT) REGULIUOJAMA KREIPTUVO ATRAMOS GEMBĖ
- (LV) REGULĒJAMS KRONSŅTEINS VADOTNES BALSTAM

- (CZ) KONZOLA PRO DRŽÁK ŠIN „C“ PROFIL
- (RO) CONSOLĂ REGLABILĂ DE SUPORT PENTRU GHIDAJ
- (HR) PRILAGODLJIVA KONZOLA ZA DRŽAČ VODILICE
- (RUS) КРЕПЕЖНАЯ КОНСОЛЬ КРОНШТЕЙНА ДЛЯ НАПРАВЛЯЮЩЕГО РЕЛЬСА «С»
- (SLO) NASTAVLJIVI OPORNIK ZA PODPORNİK VODILA
- (TR) KIZAK DESTEĞİ İÇİN AYARLANABİLİR DİRSEK
- (AR) سداة قابلة للتعديل خاصة بالدعامة البديلية
- (CHN) 导轨支轮可调壁式支座
- (MAL) PENDAKAP BOLEH LARAS UNTUK SOKONGAN PANDU
- (H) ÁLLÍTHATÓ KERET A VEZETŐSÍN RÖGZÍTÉSÉHEZ
- (IL) מתקן קיר לתוספת מסילה כבדה
- (BG) РЕГУЛИРУЕМА СКОБА ЗА ДЪРЖАЧ НА РЕЛСА
- (KO) 가이드 지지대용 조절식 브래킷
- (SRB) PODESIVA KONZOLA ZA DRŽAČ VODICE

Art.	GUIDE	1pc			CODE
		kg	pcs	kg	
DC 70	STAGE SZ	1,19	8	9,52	1700146

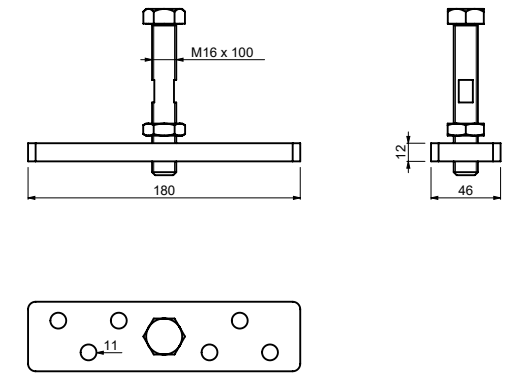
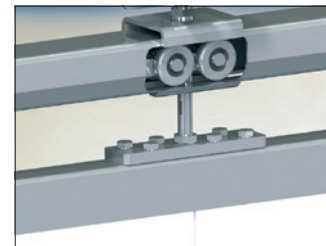
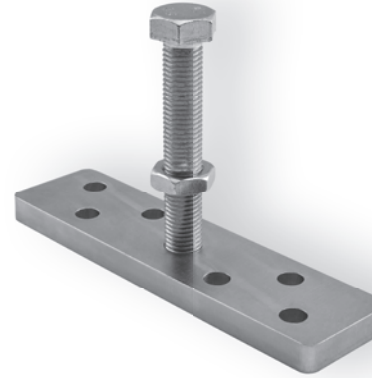
Art.	L	A	B	C	E	G	J	S	SUPPORT	1pc			CODE			
										kg	pcs	kg				
													mm			
KHL 140	140	172	88	112	62	17x105	12x30	4	DC 70/DC 90	0,94	8	7,52	1700147			
KHL 180	180	172	88	112	62	17x142	12x30	4	DC 70/DC 90	1,05	6	6,3	1700164			



- (GB) „C“ PROFILE GUIDE JOINT BRACKET
- (D) „C“-PROFILFÜHRUNG, GELENKHALTERUNG
- (F) SUPPORT DE JOINT DE GUIDE DE PROFIL EN „C“
- (E) SOPORTE DE UNIÓN DE GUÍA DE PERFIL EN „C“
- (P) GUIA DE PERFIL „C“ GUIA COMUM
- (I) STAFFA DI ACCOPPIAMENTO GUIDA CON PROFILO A „C“
- (DK) BESLAG TIL „C“ PROFILVANGFORBINDELSE
- (NL) „C“ PROFIELGELEIDER VERBINDINGSSTUK BEVESTIGINGSBEUGEL
- (N) „C“ PROFILSTYRINGSBRACKETT
- (S) „C“ GEJDPROFIL FÖR KONSOL
- (FIN) „C“-PROFILISEN OHJAIMEN LIITOKSEN KANNATIN
- (PL) WSPORNIK ŁĄCZĄCY DO SZYN O PROFILU „C“
- (SK) PRIPOJOVACÍ DRŽIAK PROFILU VODIAJACEJ LIŠTY V TVARE „C“
- (EE) „C“-PROFIL JUHIKU ÜHENDUSE KLAMBER
- (LT) „C“ FORMOS PROFILIUOTO KREIPTUVO JUNGIAMASIS LAIKIKLIS
- (LV) „C“ VEIDA PROFILA SAVIENOTĀJBALSTENIS

- (CZ) SPOJKA FIXAČNÍ PRO „C“ PROFIL
- (RO) REAZEM ÎN FORMĂ DE „C“ PENTRU PROFILUL DE GHIDAJ
- (HR) ZGLOBNI NOSAČ „C“ PROFILNE VODILICE
- (RUS) ВТУЛЧНЫЙ КРОНШТЕЙН ДЛЯ НАПРАВЛЯЮЩИХ РЕЛЬСОВ ПРОФИЛЯ «С»
- (SLO) PRITRDILNI NOSILEC Z VODILOM S „C“ PROFILOM
- (TR) „C“ PROFIL YATAĞI BAĞLANTI BRAKETİ
- (AR) دعامة مقفصل موجه قطاع على شكل حرف "C"
- (CHN) C型导向关节托臂
- (MAL) PENDAKAP TERCANTUM PANDU PROFIL „C“
- (H) C-VEZETŐSÍN ÖSSZEKÖTŐTELEM
- (IL) פרופיל מנביל צורת C עם סגור פתח
- (BG) СВЪРЗАЩА СКОБА ЗА „C“-ОБРАЗНА РЕЛСА
- (KO) „C“차형 프로필 가이드 조인트 브래킷
- (SRB) NOSAČ SPOJNICE ZA VODICU „C“ PROFILA

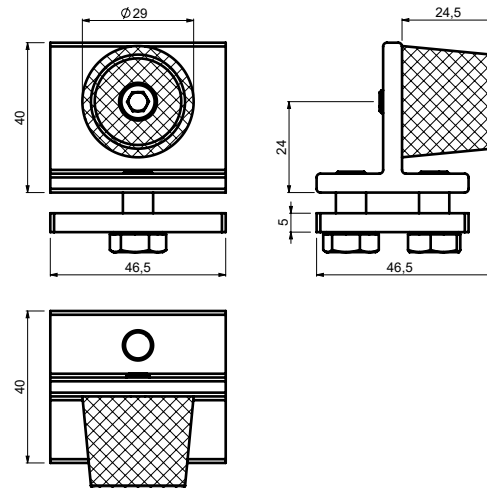
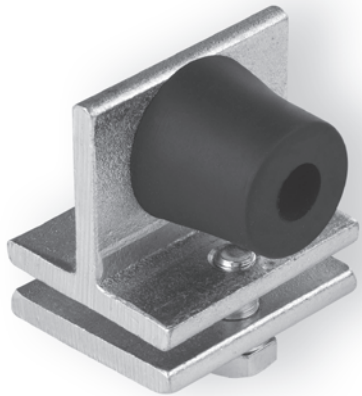
Art.	GUIDE	1pc			CODE
		kg	pcs	kg	
DF 190	STAGE SZ	1,94	2	3,88	1700304



- (GB) UPPER ADJUSTABLE BRACKET SUPPORT FOR SLIDING DOOR
- (D) OBERE EINSTELLBARE HALTERUNGSSTÜTZE FÜR SCHIEBETÜR
- (F) SUPPORT SUPÉRIEUR RÉGLABLE POUR PORTAIL COULISSANT
- (E) SOPORTE AJUSTABLE SUPERIOR PARA PUERTA DESLIZANTE
- (P) SUPORTE DE SUPORTE AJUSTÁVEL SUPERIOR PARA PORTÃO DESLIZANTE
- (I) SOSTEGNO STAFFA SUPERIORE REGOLABILE PER PORTA SCORREVOLE
- (DK) ØVERSTE INDSTILLELIGE BESLAGSTØTTE TIL SKYDEDØR
- (NL) BOVENSTE VERSTELBARE BEVESTIGINGSBEUGELSTEUN VOOR SCHUIVENDE DEUR
- (N) ØVRE JUSTERBARE BRACKETSTØTTE FOR SKYVEDØR
- (S) ØVRE JUSTERBART KONSOLSTÖD FÖR SKJUTDÖRR
- (FIN) SÄÄDETTÄVÄ KANNATTIMEN YLÄTUKI LIUKUOVEEN
- (PL) GÓRNY REGULOWANY WSPORNIK DO DRZWI PRZESUWNYCH
- (SK) HORNÁ NASTAVITELNÁ KONZOLA PRE POSUVNÉ DVERE
- (EE) ÜLEMINE REGULERITAV KLAMBRITUGI LIUGUKSE JAOKS
- (LT) VIRŠUTINĖ REGULIUOJAMA LAIKIKLIO ATRAMA STUMDOMOSIOMS DURIMS
- (LV) REGULĒJAMS AUGŠĒJĀIS BALSTA KRONŠTEINS BĪDĀMĀJĀM DURVĪM

- (CZ) DRŽÁK PRO POSUVNÉ VRATA
- (RO) SUPORT SUPERIOR REGLABIL ÎN CONSOLĂ PENTRU UȘI CULISANTE
- (HR) GORNJI PRILAGODLJIVI POTPORANJ NOSAČA ZA KLIZNA VRATA
- (RUS) ВЕРХНИЙ РЕГУЛИРУЕМЫЙ ОПОРНЫЙ КРОНШТЕЙН ДЛЯ РАМЫ ПАЗДВИЖНЫХ ДВЕРЕЙ
- (SLO) ZGORNJI NASTAVLJIVI PODPORNİ NOSILEC ZA DRSNĀ VRATA
- (TR) SÜRGÜLÜ KAPI İÇİN ÜST AYARLANABİLİR BRACKET DESTEĞİ
- (AR) سندا دعامة علوية قابلة للضبط للباب المنزلقي
- (CHN) 滑门可调节上部托臂托座
- (MAL) BANTUAN PENDAKAP BOLEH LARAS ATAS UNTUK PINTU GELONGSOR
- (H) FELSŐ ÁLLÍTHATÓ BEFOGÓELEM TOLÓAJTÓHOZ
- (IL) פחית תמיכה עליונה מתכווננת לזלתות הזזה
- (BG) ГОРНА РЕГУЛИРУЕМА ПОДДЪРЖАЩА СКОБА ЗА ПЛЪЗГАЩА ВРАТА
- (KO) 슬라이딩 도어용 상단 조절식 브래킷 지지대
- (SRB) GORNJI PODESIVI KONZOLNI NOSAČ ZA KLIZNA VRATA

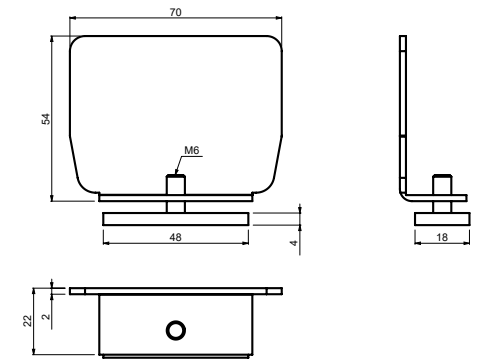
Art.	1pc			CODE
	kg	pcs	kg	
GD 180	0,87	4	3,48	1700313



- (GB) INTERNAL GUIDE END STOP
- (D) INNENANSCHLAG FÜR „C“ PROFIL
- (F) BUTÉE INTERNE POUR GUIDE
- (E) TOPE FINAL DE GUÍA INTERNA
- (P) BATENTE GUIA INTERNA
- (I) FERMO DI FINE CORSA DELLA GUIDA INTERNA
- (DK) INTERN STYREENDESTOP
- (NL) INTERNE GELEIDER EINDSTOP
- (N) ENDESTOPPER TIL INNVEDIG SKINNE
- (S) INTERNT GEJD ÄNDSTOPP
- (FIN) SISÄINEN OHJAIMEN PÄÄN PYSÄYTIN
- (PL) WEWNĘTRZNY ODBOJNIK SZYNY
- (SK) DORAZ VNÚTORNÝ PRE NOSNÝ „C“ PROFIL
- (EE) SISEJUHIKU OTSALÕPP
- (LT) VIDINIO KREIPTUVO GALINIS RIBOKLIS
- (LV) IEKŠĒJAIS VADOTNES GALA AIZTURIS

- (CZ) DORAZ VNITŘNÍ PRO ŠÍNU „C“ PROFIL
- (RO) GHIDAJ OPRITOR CURSĂ INTERN
- (HR) UNUTARNJI GRANIČNIK VODILICE
- (RUS) ВНУТРЕННИЙ ОГРАНИЧИТЕЛЬ НАПРАВЛЯЮЩЕГО РЕЛЬСА «С»
- (SLO) ZAUSTAVLJALNIK NOTRANJEGA VODILA
- (TR) DAHİLİ KIZAK UÇ TESPİT PARÇASI
- (AR) ممانع طرفي داخلي
- (CHN) 内导轨终点挡块
- (MAL) PENYENDAL Hujung PANDU DALAM
- (H) VEZETŐSÍN BELSŐ ÜTKÖZŐ
- (IL) מעצור פנימי למסילה עילינה
- (BG) ВЪТРЕШЕН СТОПЕР ЗА РЕЛСА
- (KO) 내부 가이드 종단 정지대
- (SRB) UNUTRAŠNJI GRANIČNIK VODICE

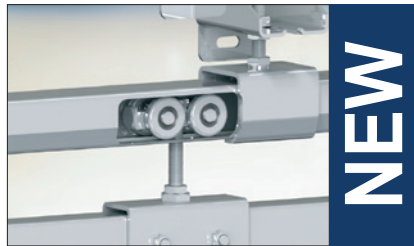
Art.	GUIDE	1pc		CODE
		kg	pcs	
FINISH S	STAGE SZ	0,24	20	1700008



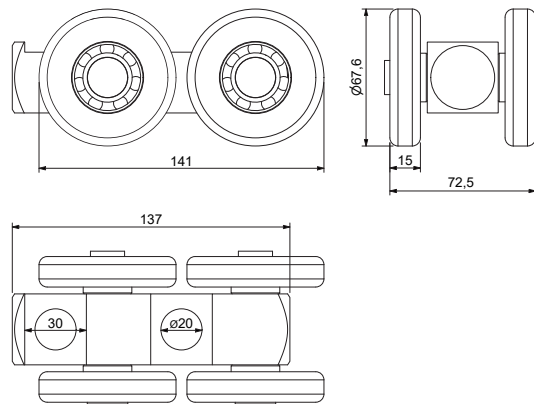
- (GB) GUIDE END CAP WITH SCREW, INDEPENDENT
- (D) ABSCHLUSSKAPPE FÜR „C“ PROFIL AUS STAHL MIT SCHRAUBE
- (F) CACHE D'EMBOÛT DE GUIDE AVEC VIS, INDÉPENDANT
- (E) TOPE FINAL DE GUÍA CON TUERCA, INDEPENDIENTE
- (P) TAMPA FINAL GUIA COM PARAFUSO, INDEPENDENTE
- (I) COPERTURA TERMINALE DELLA GUIDA CON VITE, INDIPENDENTE
- (DK) VANGEENDEHÆTTE MED SKRUE, UAFHÆNGIG
- (NL) GELEIDER EINDKAP MET SCHROEF, ONAFHANKELIJK
- (N) ENDEBESLAG FOR SKINNE MED SKRUE, UAVHENGIG
- (S) GEJD SKYDDSKÅPA MED SKRUV, OBEROENDE
- (FIN) OHJAIMEN PÄÄN RUUVUUVILINEN KANSI, ERILLINEN
- (PL) ZASŁEPKA KOŃCOWA SZYNY ZE ŚRUBĄ, NIEZALEŻNA
- (SK) ZÁSLEPKA PRE NOSNÝ „C“ PROFIL, NEZÁVISLÁ SO SKRUTKOU
- (EE) JUHIKU OTSAKORK KRUVIGA, ERALDI
- (LT) GALINIS KREIPTUVO DANGTELIS SU SRIGIU, ATSKIRAS
- (LV) VADOTNES GALA VĀKS AR SKRŪVI, NEATKARĪGS

- (CZ) ZÁSLEPKA PRO ŠÍNU „C“ PROFIL, NEZÁVISLÁ SE ŠROUBEM
- (RO) OPRITOR CURSĂ ACOPERIRE GHIDAJ CU FILET, INDEPENDENT
- (HR) ČEP VODILICE S VIJKOM, NEOVISAN
- (RUS) ЗАГЛУШКА НАПРАВЛЯЮЩЕГО РЕЛЬСА «С», НЕЗАВИСИМАЯ, С ВИНТОМ
- (SLO) ZAKLJUČNI POKROV VODILA Z VIJAKOM, NEODVISEN
- (TR) VIDALI KIZAK UÇ LASTIĞI, BAĞIMSIZ
- (AR) غطاء طرفي داخلي مع برغي، مستقل
- (CHN) 导轨独立式螺钉紧固端盖
- (MAL) PENUTUP Hujung PANDU DENGAN SKRU, BEBAS
- (H) VEZETŐSÍN LEZÁRÓ-ELEM CSAVARRAL, FÜGGETLEN
- (IL) מכסה קצה קורה קומולית עם בורג, עצמאי
- (BG) КРАЙНА КАПАЧКА ЗА РЕЛСА С ВИНТ, САМОСТОЯТЕЛНА
- (KO) 나사가 있는 가이드 종단 캡, 독립식
- (SRB) ČEP VODICE SA ZAVRTNJEM, NEZAVISAN

Art.	GUIDE	1pc		CODE
		kg	pcs	
PILOT SN	STAGE SB/SZ	0,1	10	1700007

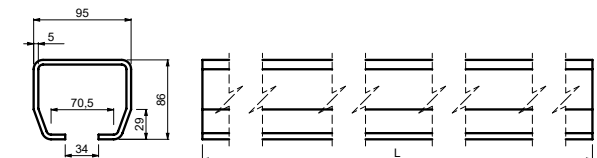
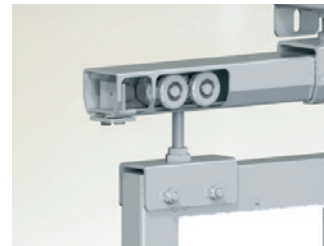
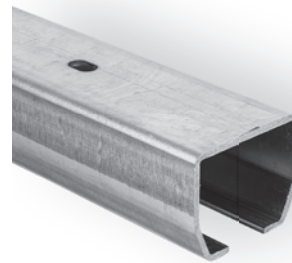


NEW



- (GB) FOUR WHEELED CARRIAGE FOR SLIDING DOORS
 (D) LAUFWAGEN MIT VIER LAUFRÄDERN FÜR FALT- UND SCHIEBETORE
 (F) CHARIOT QUATRE ROUES POUR PORTES COULISSANTES
 (E) CARRIL DE CUATRO RUEDAS PARA PUERTAS CORREDERAS
 (P) CORREDIÇA DE QUATRO ROLDANAS PARA PORTAS DESLIZANTES
 (I) CARRELLO A QUATTRO RUOTE PER PORTE SCORREVOLI
 (DK) FIREHJULET SLÆDE TIL SKYVEDØRE
 (NL) VIERVOUDIG WIELENBLOK VOOR SCHUIFDEUREN
 (N) FIREHJULS GLIDESKINNE TIL SKYVEDØRER
 (S) FYRHJULAD VAGN FÖR SKJUTBARA DÖRRAR
 (FIN) NELIPYÖRÄINEN ALUSTA LIUKUOVIIIN
 (PL) WÓZEK 4-ROPKOWY DO DRZWI PRZESUWNYCH
 (SK) VOZÍK ŠTVORKOLIEČKOVÝ LOŽISKOVÝ PRE POSUVNÚ ZÁVESNÚ BRÁNU
 (EE) NELJARATTALINE SUPT LIUGUSTE JAOKS
 (LT) VEŽIMĖLIS SU KETURIAIS RATUKAIS STUMDOMOSIOMS DURIMS
 (LV) ČETRU RUĻĻU BLOKS BĪDĀMĀJĀM DURVĪM

- (CZ) VOZÍK ČTYŘKOLOVÝ LOŽISKOVÝ PRO POSUVNÁ ZAVĚŠENÁ VRATA
 (RO) CĂRUCIOR PE PATRU ROȚI PENTRU UȘILE GLISANTE
 (HR) NOSAČ S ČETIRI KOTAČA ZA KLIZNA VRATA
 (RUS) ТЕЛЕЖКА ЧЕТЫРЕКОЛКОВАЯ ПОДШИПНИКОВАЯ ДЛЯ РАЗДВИЖНЫХ ПОДВЕСНЫХ ПРОМЫШЛЕННЫХ ВОРОТ
 (SLO) VOZIČEK S ŠTIRIMI KOLESI ZA DRSNÁ VRATA
 (TR) SÜRGÜLÜ KAPILAR İÇİN DÖRT TEKERLEKLİ TAŞIYICI
 (AR) عربة زبانية العجلات للأبواب المنزلقة
 (CHN) 滑动门四轮滑架
 (MAL) PENYORONG EMPAT RODA UNTUK PINTU GELONGSOR
 (H) NÉGYGÖRGÖS FUTÓKOCSI TOLÓAJTÓKHOZ
 (IL) עגלה ארבעה גלגלים לדלת הזזה כבדה
 (BG) КОЛИЧКА С ЧЕТИРИ РОЛКИ ЗА ПЛЪЗГАЩИ ВРАТИ
 (KO) 슬라이딩 도어용 사중 휠 이송대
 (SRB) NOSAČ SA ČETIRI TOČKIČA ZA KLIZNA VRATA

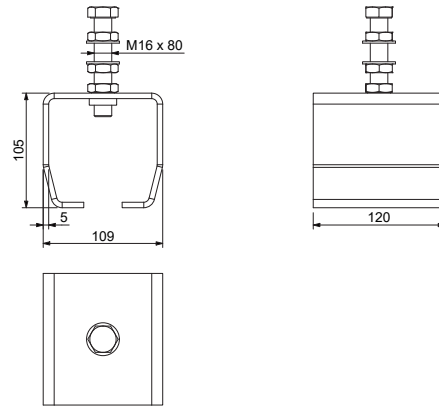
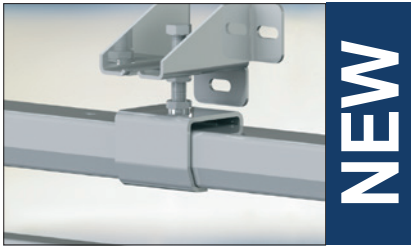
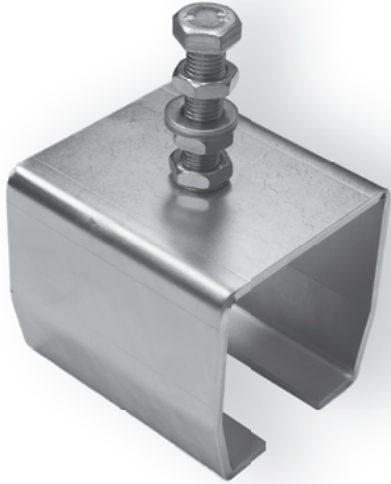


- (GB) „C“ PROFILE GUIDE FOR CANTILEVER GATE
 (D) „C“ PROFIL FÜR FREITRAGENDE SCHIEBETORE
 (F) GUIDE À PROFIL EN « C » POUR PORTAIL AUTOPORTANT
 (E) GUÍA CON PERFIL "C" PARA PUERTA VOLADIZA
 (P) GUIA DE PERFIL "C" PARA PORTÃO CANTILEVER
 (I) GUIDA CON PROFILO A "C" PER CANCELLO AUTOPORTANTE
 (DK) "C" PROFILVANGE TIL FRITTBÆRENDE PORT
 (NL) "C" PROFIEL GELEIDER VOOR VRIJDRAGENDE SCHUIFPOOR
 (N) "C"-PROFILSKINNE FOR FRITTBÆRENDE PORTX
 (S) "C" GEJDPROFIL FÖR FRIBÄRANDE GRIND
 (FIN) "C" -PROFILIIOHJAIN ULOKEKÄNNETTEISEEN PORTTIIN
 (PL) SZYNA DO BRAM SAMONOŚNYCH
 (SK) NOSNÝ „C“ PROFIL PRE POSUVNÚ SAMONOSNÚ BRÁNU
 (EE) "C"-PROFILI JUHIK KONSOOLVÄRAVA JAOKS
 (LT) „C“ FORMOS PROFILIUOTAS KREIPTUVAS GEMBINIAMS VARTAMS
 (LV) "C" VEIDA PROFILS KONSOLEIDA VĀRTIEM

- (CZ) ŠÍNA „C“ PROFIL PRO POSUVNÝ SAMONOSNÝ BRÁNU
 (RO) GHIDAJ CU PROFIL „C“ PENTRU POARTA AUTOPORTANTĂ ÎN CONSOLĂ
 (HR) VODILICA „C“ PROFILA ZA KLIZNA DVORIŠNA VRATA
 (RUS) НАПРАВЛЯЮЩИЙ РЕЛЬС / ПРОФИЛЬ «С» ДЛЯ ОТКАТНЫХ САМОНЕСУЩИХ ВОРОТ
 (SLO) "C" VODILO ZA SAMONOSNA DRSNÁ VRATA
 (TR) KONSOL BAHÇE KAPISI İÇİN "C" PROFIL KIZAĞI
 (AR) اللوابة الداعمة "C" - دعامة نظيلية جانبية
 (CHN) 悬臂门"C"型导轨
 (MAL) PANDU PROFIL "C" UNTUK PINTU PAGAR JULUR
 (H) C-VEZETŐSÍN TOLÓKAPUHOZ
 (IL) קורה בפרופיל "C" לשער קונסולי
 (BG) "C"-ОБРАЗНА РЕЛСА ЗА КОНЗОЛНА ВРАТА
 (KO) 캔틸레버 게이트용 "C"자형 프로파일 가이드
 (SRB) VODICA „C“ PROFILA ZA SAMONOSIVU KAPIJU

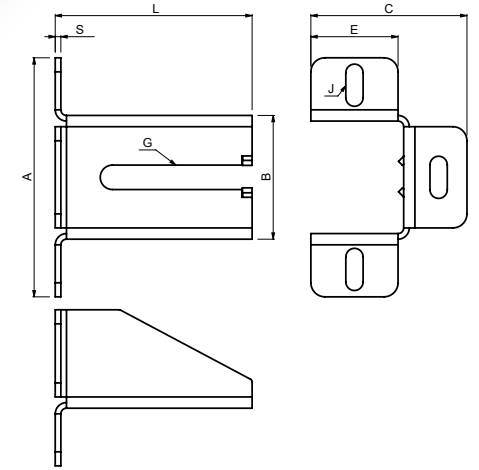
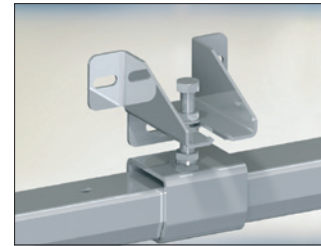
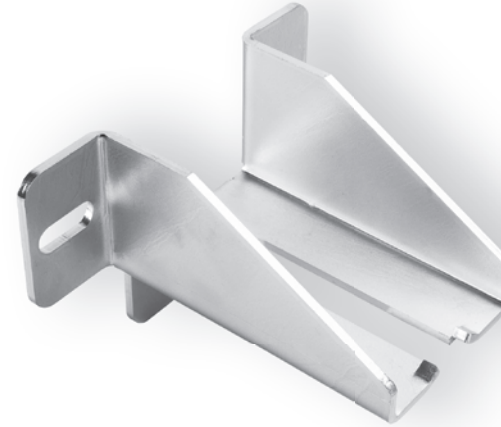
Art.	GUIDE	CAPACITY	1pc		CODE
			kg	kg	
SPEED CM	STAGE MZ	980	2,55	4	1700360

Art.	CARRIAGE	SURFACE FINISH	L/1pc	1pc	Image		CODE
			mm	kg	pcs	kg	
STAGE MZ 6	SPEED M/ME/MEK	GALVANIZED	6000	65,4	12	784,8	1700012
STAGE MZ 4	SPEED M/ME/MEK	GALVANIZED	4000	43,6	12	523,2	1700215
STAGE MZ 3	SPEED M/ME/MEK	GALVANIZED	3000	32,7	12	392,4	1700170
STAGE MZ 2	SPEED M/ME/MEK	GALVANIZED	2000	21,8	12	261,6	1700216
STAGE MZ 1	SPEED M/ME/MEK	GALVANIZED	1000	10,9	12	130,8	1720036



- (GB) ADJUSTABLE GUIDE SUPPORT
- (D) HALTERUNG FÜR „C“ PROFIL, REGULIERBAR
- (F) SUPPORT DE GUIDE RÉGLABLE
- (E) SOPORTE DE GUÍA AJUSTABLE
- (P) SUPORTE GUIA AJUSTÁVEL
- (I) SOSTEGNO PER GUIDA REGOLABILE
- (DK) INDSTILLELIG VANGEUNDERSTØTNING
- (NL) VERSTELBARE GELEIDERSTEUN
- (N) JUSTERBAR STØTTE TIL STYRESKINNE
- (S) JUSTERBART GEJDSTÖD
- (FIN) SÄÄDETTÄVÄ OHJAINUKI
- (PL) REGULOWANY UCHWYT SZYNY
- (SK) DRŽIAK NOSNÉHO „C“ PROFILU HORNÝ, REGULOVATEĽNÝ
- (EE) REGULEERITAV JUHTTUGI
- (LT) REGULIUOJAMA KREIPTUVO ATRAMA
- (LV) REGULĒJAMS VADOTNES BALSTS

- (CZ) DRŽÁK ŠINY „C“ PROFILU HORNÍ, REGULOVATELNÝ
- (RO) SUPORT GHIDAJ REGLABIL
- (HR) PRILAGODLJIV DRŽAČ VODILICE
- (RUS) КРОНШТЕЙН ДЛЯ НАПРАВЛЯЮЩЕГО РЕЛЬСА «С» ВЕРХНИЙ, РЕГУЛИРУЮЩИЙСЯ
- (SLO) NASTAVLJIVI PODPORNİK VODILA
- (TR) AYARLANABİLİR KIZAK DESTEĞİ
- (AR) الدعامة الدليلية القابلة للضبط
- (CHN) 可调导轨支座
- (MAL) SOKONGAN PANDU BOLEH LARAS
- (H) ÁLLÍTHATÓ VEZETŐSÍN-RÖGZÍTÉS
- (IL) מתקן קרו למוסן מסילה כבדה
- (BG) РЕГУЛИРУЕМ ДЪРЖАЧ НА РЕЛСА
- (KO) 조절식 가이드 지지대
- (SRB) PODESIVI DRŽAČ VODICE

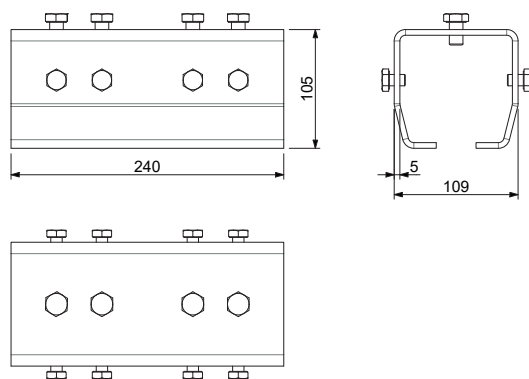
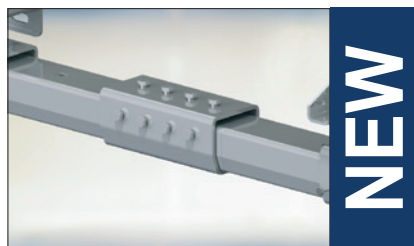


- (GB) ADJUSTABLE BRACKET FOR GUIDE SUPPORT
- (D) KONSOLE FÜR SCHIENENHALTERUNG
- (F) ÉTRIER RÉGLABLE POUR SUPPORT DE GUIDE
- (E) BASE AJUSTABLE PARA SOPORTE DE GUÍA
- (P) SUPORTE AJUSTÁVEL PARA SUPORTE GUIA
- (I) STAFFA REGOLABILE PER SOSTEGNO DELLA GUIDA
- (DK) INDSTILLELIGT BESLAG TIL VANGEUNDERSTØTNING
- (NL) VERSTELBARE BEUGEL VOOR GELEIDERSTEUN
- (N) JUSTERBAR BRAKETT FOR STYRESKINNE
- (S) JUSTERBAR KONSOL FÖR GEJDSTÖD
- (FIN) SÄÄDETTÄVÄ KANNATIN OHJAINUKEEN
- (PL) REGULOWANY WSPORNİK DO UCHWYTU SZYNY
- (SK) KONZOLA PRE DRŽIAK NOSNÝCH „C“ PROFILOV
- (EE) REGULEERITAV KLAMBER JUHTTOE JAOKS
- (LT) REGULIUOJAMA KREIPTUVO ATRAMOS GEMBĖ
- (LV) REGULĒJAMS KRONŠTEINS VADOTNES BALSTAM

- (CZ) KONZOLA PRO DRŽÁK ŠIN „C“ PROFIL
- (RO) CONSOLĂ REGLABILĂ DE SUPORT PENTRU GHIDAJ
- (HR) PRILAGODLJIVA KONZOLA ZA DRŽAČ VODILICE
- (RUS) КРЕПЕЖНАЯ КОНСОЛЬ КРОНШТЕЙНА ДЛЯ НАПРАВЛЯЮЩЕГО РЕЛЬСА «С»
- (SLO) NASTAVLJIVI OPORNİK ZA PODPORNİK VODILA
- (TR) KIZAK DESTEĞİ İÇİN AYARLANABİLİR DİRSEK
- (AR) مسادة قنيلة للضبط خاصة بالدعامة الدليلية
- (CHN) 导轨支轮可调壁式支座
- (MAL) PENDAKAP BOLEH LARAS UNTUK SOKONGAN PANDU
- (H) ÁLLÍTHATÓ KERET A VEZETŐSÍN RÖGZÍTÉSÉHEZ
- (IL) מתקן קרו לתומסן מסילה כבדה
- (BG) РЕГУЛИРУЕМА СКОБА ЗА ДЪРЖАЧ НА РЕЛСА
- (KO) 가이드 지지대용 조절식 브래킷
- (SRB) PODESIVA KONZOLA ZA DRŽAČ VODICE

Art.	GUIDE	1pc			CODE
			pcs	kg	
DC 90	STAGE MZ	1,84	4	7,36	1700368

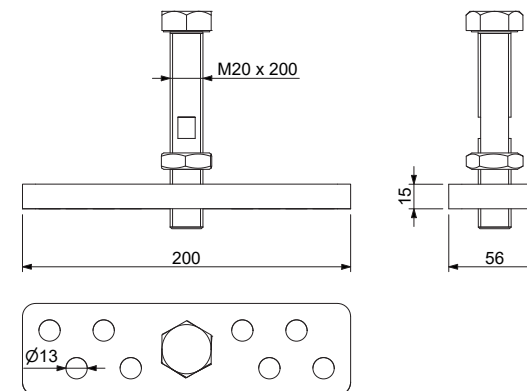
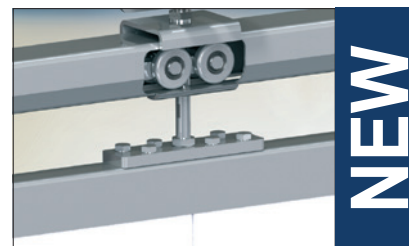
Art.	L	A	B	C	E	G	J	S	SUPPORT	1pc				CODE		
											kg	pcs	kg			
													mm			
KHL 140	140	172	88	112	62	17x105	12x30	4	DC 70/DC 90	0,94	8	7,52	1700147			
KHL 180	180	172	88	112	62	17x142	12x30	4	DC 70/DC 90	1,05	6	6,3	1700164			



- (GB) „C“ PROFILE GUIDE JOINT BRACKET
- (D) „C“-PROFILFÜHRUNG, GELENKHALTERUNG
- (F) SUPPORT DE JOINT DE GUIDE DE PROFIL EN „C“
- (E) SOPORTE DE UNIÓN DE GUÍA DE PERFIL EN “C”
- (P) GUIA DE PERFIL „C“ GUIA COMUM
- (I) STAFFA DI ACCOPPIAMENTO GUIDA CON PROFILO A „C“
- (DK) BESLAG TIL “C” PROFILVANGFORBINDELSE
- (NL) “C” PROFIELGELEIDER VERBINDINGSSTUK BEVESTIGINGSBEUGEL
- (N) „C“ PROFILSTYRINGSBRACKETT
- (S) “C” GEJDPROFIL FÖR KONSOL
- (FIN) “C”-PROFILISEN OHJAIMEN LIITOKSEN KANNATIN
- (PL) WSPORNIK ŁĄCZĄCY DO SZYN O PROFILU „C”
- (SK) PRIPOJOVACÍ DRŽIAK PROFILU VODIACEJ LIŠTY V TVARE „C”
- (EE) “C”-PROFIL JUHIKU ÜHENDUSE KLAMBER
- (LT) „C” FORMOS PROFILIUOTO KREIPTUVO JUNGIAMASIS LAIKIKLIS
- (LV) “C” VEIDA PROFILA SAVIENOTĀJALSTENIS

- (CZ) SPOJKA FIXAČNÍ PRO „C” PROFIL
- (RO) REAZEM ÎN FORMĂ DE „C” PENTRU PROFILUL DE GHIDAJ
- (HR) ZGLOBNI NOSAČ “C” PROFILNE VODILICE
- (RUS) ВТУЛОЧНЫЙ КРОНШТЕЙН ДЛЯ НАПРАВЛЯЮЩИХ РЕЛЬСОВ ПРОФИЛЯ «С»
- (SLO) PRITRDLINI NOSILEC Z VODILOM S“C” PROFILOM
- (TR) “C” PROFIL YATAĞI BAĞLANTI BRACKETİ
- (AR) دعامة مفصل موجة قطاع على شكل حرف “C”
- (CHN) C型导向关节托臂
- (MAL) PENDAKAP TERCANTUM PANDU PROFIL “C”
- (H) C-Vezetősín ÖSSZEKÖTŐELEM
- (IL) פרופיל מוביל צורת C עם סגור פח
- (BG) СВЪРЗАВАЩА СКОБА ЗА “C”-ОБРАЗНА РЕЛСА
- (KO) “C”자형 프로필 가이드 조인트 브래킷
- (SRB) NOSAČ SPOJNICE ZA VODICU „C” PROFILA

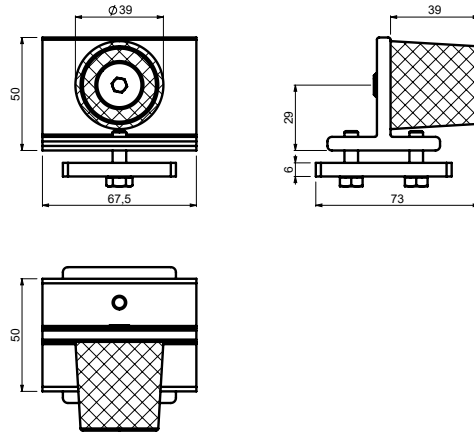
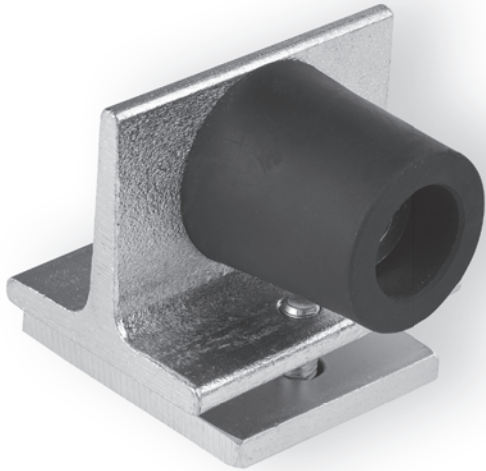
Art.	GUIDE	1pc		CODE
		kg	pcs	
DF 240	STAGE MZ	3,45	2	1700369



- (GB) UPPER ADJUSTABLE BRACKET SUPPORT FOR SLIDING DOOR
- (D) OBERE EINSTELLBARE HALTERUNGSSTÜTZE FÜR SCHIEBETÜR
- (F) SUPPORT SUPÉRIEUR RÉGLABLE POUR PORTAIL COULISSANT
- (E) SOPORTE AJUSTABLE SUPERIOR PARA PUERTA DESLIZANTE
- (P) SUPORTE DE SUPORTE AJUSTÁVEL SUPERIOR PARA PORTÃO DESLIZANTE
- (I) SOSTEGNO STAFFA SUPERIORE REGOLABILE PER PORTA SCORREVOLE
- (DK) ØVERSTE INDSTILLELIGE BESLAGSTØTTE TIL SKYDEDØR
- (NL) BOVENSTE VERSTELBARE BEVESTIGINGSBEUGELSTEUN VOOR SCHUIVENDE DEUR
- (N) ØVRE JUSTERBARE BRACKETSTØTTE FOR SKJYVEDØR
- (S) ÖVRE JUSTERBART KONSOLSTÖD FÖR SKJYVEDÖRR
- (FIN) SAÄDETTÄVÄ KANNATTIMEN YLÄTUKI LIUKUOVEEN
- (PL) GÓRNY REGULOWANY WSPORNIK DO DRZWI PRZESUWNYCH
- (SK) HORNÁ NASTAVITELNÁ KONZOLA PRE POSUVNÉ DVERE
- (EE) ÜLEMINE REGULEERITAV KLAMBRITUGI LIUGUKSE JAOKS
- (LT) VIRŠUTINĖ REGULIUOJAMA LAIKIKLIO ATRAMA STUMDOMOSIOMS DURIMS
- (LV) REGULĒJAMS AUGŠĒJĀS BALSTA KRONŠTEINS BĪDĀMĀJĀM DURVĪM


- (CZ) DRŽÁK PRO POSUVNÉ VRATA
- (RO) SUPORT SUPERIOR REGLABIL ÎN CONSOLĂ PENTRU UȘI CULISANTE
- (HR) GORNJI PRILAGODLJIVI POTPORANJ NOSAČA ZA KLIZNA VRATA
- (RUS) ВЕРХНИЙ РЕГУЛИРУЕМЫЙ ОПОРНЫЙ КРОНШТЕЙН ДЛЯ РАМЫ РАЗДВИЖНЫХ ДВЕРЕЙ
- (SLO) ZGORNJI NASTAVLJIVI PODPORNI NOSILEC ZA DRSNA VRATA
- (TR) SÜRGÜLÜ KAPI İÇİN ÜST AYARLANABİLİR BRACKET DESTEĞİ
- (AR) دعامة عتوية قابلة للتعديل للباب المنزلقي
- (CHN) 滑门可调节上部托臂托座
- (MAL) BANTUAN PENDAKAP BOLEH LARAS ATAS UNTUK PINTU GELONGSOR
- (H) FELSŐ ÁLLÍTHATÓ BEFÖGŐELEM TOLÓAJTÓHOZ
- (IL) פחית תמיכה עליונה מתכווננת לדלתות החזה
- (BG) ГОРНА РЕГУЛИРУЕМА ПОДДЪРЖАЩА СКОБА ЗА ПЛЪЗГАЩА ВРАТА
- (KO) 슬라이딩 도어용 상단 조절식 브래킷 지지대
- (SRB) GORNJI PODESIVI KONZOLNI NOSAČ ZA KLIZNA VRATA

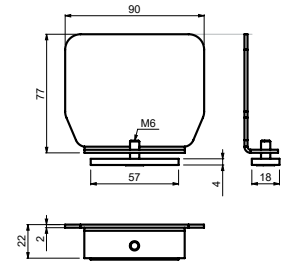
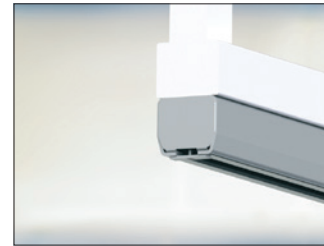
Art.	1pc			CODE
		kg	pcs	
GD 200	1,47	4	5,88	1700370



- (GB) INTERNAL GUIDE END STOP
- (D) INNENANSCHLAG FÜR „C“ PROFIL
- (E) BUTÉE INTERNE POUR GUIDE
- (E) TOPE FINAL DE GUÍA INTERNA
- (P) BATENTE GUIA INTERNA
- (I) FERMO DI FINE CORSA DELLA GUIDA INTERNA
- (DK) INTERN VANGEENDESTOP
- (NL) INTERNE GELEIDER EINDSTOP
- (N) ENDESTOPPER TIL INNVEDIG SKINNE
- (S) INTERNT GEJDÄNDSTOPP
- (FIN) SISÄINEN OHJAIMEN PÄÄN PYSÄYTIN
- (PL) WEWNĘTRZNY ODBOJNIK SZYNY
- (SK) DORAZ VNUTORNÝ PRE NOSNÝ „C“ PROFIL
- (EE) SISEJUHIKU OTSALÕPP
- (LT) VIDINIO KREIPTUVO GALINIS RIBOKLIS
- (LV) IEKŠĒJAIS VADTNES GALA AIZTURIS


- (CZ) DORAZ VNITŘNÍ PRO ŠINU „C“ PROFIL
- (RO) GHIDAJ CAPĂT FINAL INTERN
- (HR) UNUTARNJI GRANIČNIK VODILICE
- (RUS) ВНУТРЕННИЙ ОГРАНИЧИТЕЛЬ НАПРАВЛЯЮЩЕГО РЕЛЬСА «С»
- (SLO) ZAUSTAVLJALNIK NOTRANJEGA VODILA
- (TR) DAHİLİ KIZAK UÇ TESPİT PARÇASI
- (AR) منع طرفي داخلي
- (CHN) 内导轨终点挡块
- (MAL) PENYENDAL Hujung Pandu Dalam
- (H) VEZETŐSÍN BELSŐ ÚTKÖZŐ
- (IL) מעצור פנימי גומי לקורה
- (BG) ВЪТРЕШЕН СТОПЕР ЗА РЕЛСА
- (KO) 내부 가이드 종단 정지대
- (SRB) UNUTRAŠNJI GRANIČNIK VODICE

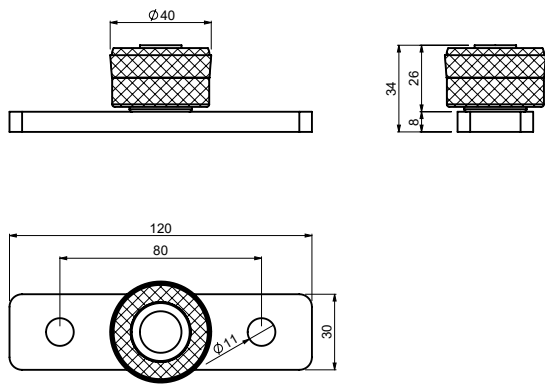
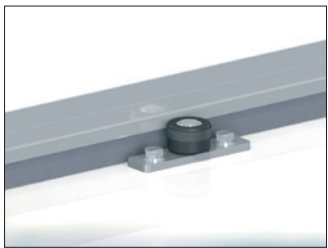
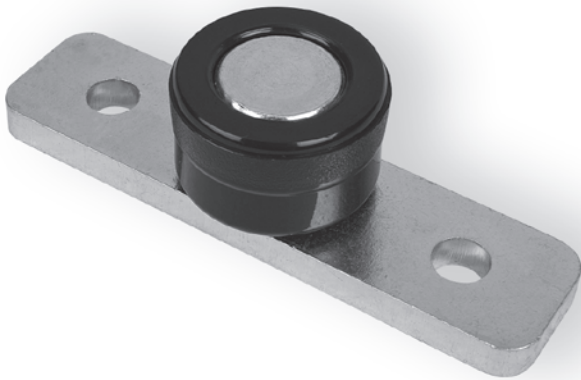
Art.	GUIDE	1pc			CODE
		kg	pcs	kg	
FINISH M	STAGE MB/MZ	0,48	10	4,8	1700017



- (GB) GUIDE END CAP WITH SCREW, INDEPENDENT
- (D) ABSCHLUSSKAPPE FÜR „C“ PROFIL AUS STAHL MIT SCHRAUBE
- (F) CACHE D'EMBOUT DE GUIDE AVEC VIS, INDÉPENDANT
- (E) TOPE FINAL DE GUÍA CON TUERCA, INDEPENDIENTE
- (P) TAMPA FINAL GUIA COM PARAFUSO, INDEPENDENTE
- (I) COPERTURA TERMINALE DELLA GUIDA CON VITE, INDIPENDENTE
- (DK) VANGEENDEHÆTTE MED SKRUE, UAFHÆNGIG
- (NL) GELEIDER EINDKAP MET SCHROEF, ONAFHANKELIJK
- (N) ENDEBESLAG FOR SKINNE MED SKRUE, UAVHENGIG
- (S) GEJD SKYDDSKÅPA MED SKRUV, OBEROENDE
- (FIN) OHJAIMEN PÄÄN RUUVILLINEN KANSI, ERILLINEN
- (PL) ZAŚLEPKA KOŃCOWA SZYNY ZE ŚRUBĄ, NIEZALEŻNA
- (SK) ZÁŠLEPKA PRE NOSNÝ „C“ PROFIL, NEZÁVISLÁ SO SKRUTKOU
- (EE) JUHIKU OTSAKORK KRUVIGA, ERALDI
- (LT) GALINIS KREIPTUVO DANGTELIS SU SRIEIGIU, ATSKIRAS
- (LV) VADTNES GALA VĀKS AR SKRŪVI, NEATKARĪGS

- (CZ) ZÁŠLEPKA PRO ŠINU „C“ PROFIL, NEZÁVISLÁ SE ŠROUBEM
- (RO) OPRITOR CURSĂ ACOPERIRE GHIDAJ CU FILET, INDEPENDENT
- (HR) ČEP VODILICE S VIJKOM, NEOVISAN
- (RUS) ЗАГЛУШКА НАПРАВЛЯЮЩЕГО РЕЛЬСА «С», НЕЗАВИСИМАЯ, С ВИНТОМ
- (SLO) ZAKLJUČNI POKROV VODILA Z VIJAKOM, NEODVISEN
- (TR) VİDALI KIZAK UÇ LASTIĞI, BAĞIMSIZ
- (AR) غطاء طرفي داخلي مع برغي، مستقل
- (CHN) 导轨独立式螺钉紧固端盖
- (MAL) PENUTUP Hujung Pandu Dengan Skru, Bebas
- (H) VEZETŐSÍN LEZÁRÓ-ELEM CSAVARRAL, FÜGGETLEN
- (IL) מכסה קצה קורה קומולית עם בורג, עצמאי
- (BG) КРАЙНА КАПАЧКА ЗА РЕЛСА С ВИНТ, САМОСТОЯТЕЛНА
- (KO) 나사가 있는 가이드 종단 캡, 독립식
- (SRB) ČEP VODICE SA ZAVRTNEM, NEZAVISAN

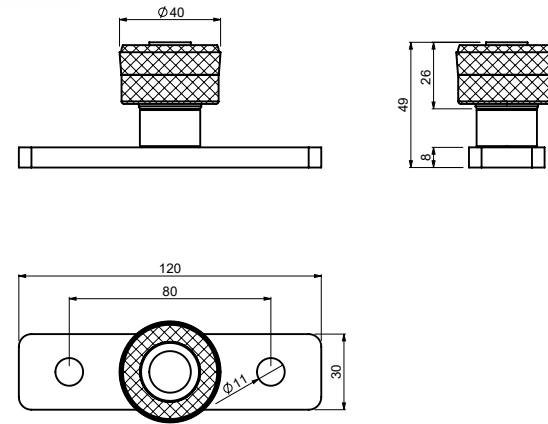
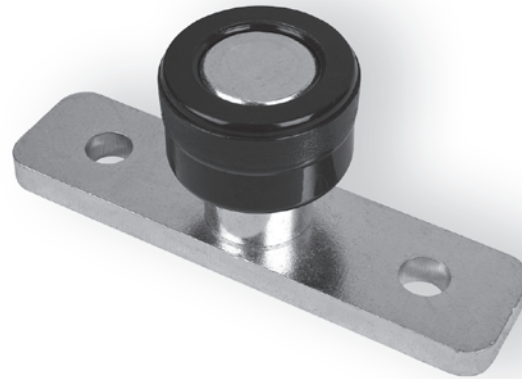
Art.	GUIDE	1pc			CODE
		kg	pcs	kg	
PILOT MN	STAGE MB/MZ	0,15	10	1,5	1700016



- (GB) EMBEDDED LOWER GUIDE ROLLER WITH PLATE FOR SLIDING DOORS AND SHUTTERS
- (D) UNTERE FÜHRUNGSROLLE FÜR TÜREN UND TORE
- (F) GUIDE À ROULEAU INFÉRIEUR INTÉGRÉ AVEC PLATINE POUR PORTES COULISSANTES ET VOLETS
- (E) RODILLO DE GUÍA INFERIOR INTEGRADA CON PLATO PARA POSTIGOS Y PUERTAS CORREDERAS
- (P) ROLETE GUÍA INFERIOR EMBUTIDO COM PLACA PARA PORTAS E PERSIANAS DESLIZANTES
- (I) RULLO PER GUIDA INFERIORE INCORPORATA, CON PIASTRA, PER PORTE E SERRANDE SCORREVOLI
- (DK) INDSTØBT NEDERSTE STYREVALSE MED PLADE TIL SKYDEPORTE OG LUKKERE
- (NL) VASTE GELEIDINGSROL ONDERKANT MET GRONDPLAAT VOOR SCHUIFDEUREN EN LUIKEN
- (N) INNEBYGD LAVERE STYRE RULLE MED PLATE FOR SKYVEDØRER OG SKODDER
- (S) INBYGGD UNDER RULLGEJD MED PLATTA FÖR SKJUTBARA DÖRRAR OCH FÖNSTERLUCKOR
- (FIN) KOTELOITU ALA-OHJAUSRULLA LEVYLLÄ LIUKKUIVIN JA -LUUKKUIHIN
- (PL) WBUDOWANA DOLNA ROLKA PROWADZĄCA Z PŁYTKĄ DO DRZWI PRZESUWNYCH I ŻALUZJI
- (SK) KLADKA SPODNÁ VODIACA S PLATŇOU PRE DVERE, BRÁNY A SVETLOLAMY
- (EE) SISSEBURUTUD ALUMINE JUHTRULLIK PLAADIGA LIUGUSTE JA -LUUKIDE JAOKS
- (LT) ILEISTASIS APATINIO KREIPTUVO RITINĖLIS SU PLOKŠTELE STUMDOMOSIOMS DURIMS IR LANGINĖMS
- (LV) IEBŪVĒTS APAKŠĒJAIS VADRULLĪTIS AR PLĀKŠNI BĪDĀMAJĀM DURVĪM UN AIZBĪDĪNIEM

- (CZ) KLADKA SPODNÍ VODÍČI S PLOTNOU PRO DVEŘE, VRATA A SVĚTLOLAMY
- (RO) ROLĂ INFERIOARĂ ÎNCASTRATĂ CU PLACĂ PENTRU UȘILE GLISANTE ȘI ÎNCHIZĂTOARE
- (HR) UKLOPLJENA DONJA ROLICA S PLOČOM, ZA KLIZNA VRATA I ŽALUZINE
- (RUS) РОЛИК НИЖНИЙ НАПРАВЛЯЮЩИЙ С ПЛАСТИНОЙ ДЛЯ ДВЕРЕЙ, ВОРОТ И ЖАЛЮЗЕЙ
- (SLO) UTOPNO SPODNJE VODILNO KOLO S PLOŠČO ZA DRŠNA VRATA IN ŽALUZJE
- (TR) SÜRGÜLÜ KAPILAR VE OPTÜRATÖRLER İÇİN PLAKALI GÖMÜLÜ ALT KIZAK RULMANI
- (AR) بكرة نةبلة منخفضة مدمجة مع لوحة الأواب والرفات المزودة
- (CHN) 滑动门与百叶窗嵌入式带导轨下导轮
- (MAL) PENGGULING PANDU BAWAH TERBENAM DENGAN PLAT UNTUK PINTU DAN PENUTUP GELONGSOR
- (H) BEÁGYAZOTT ALSÓ VEZETŐGÖRGŐ LEMEZZEL, TOLÓAJTÓKHOZ ÉS ZSILÍPEKHEZ
- (IL) גלגל מוביל תחתון דלתות חדרים
- (BG) ВЛОЖЕНА ДОЛНА РОЛКА ВОДАЧ С ПЛАНКА ЗА ПЪЛЗГАЩИ ВРАТИ И КАПАЦИ
- (KO) 슬라이딩 도어 및 셔터를 내장식 하단 가이드 롤러 및 플레이트
- (SRB) UGRABEN DONJI VALJAK SA PLOČOM ZA KLIZNA VRATA I ŽALUZINE KAPJIE

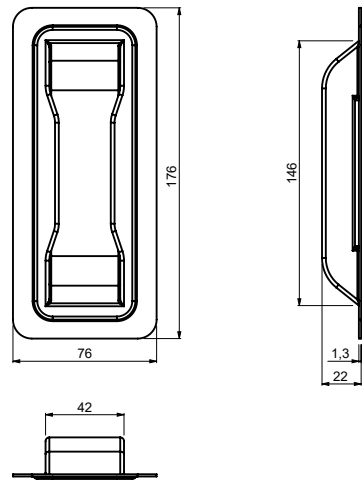
Art.	1pc				CODE
	kg	pcs	kg		
RS 25	0,29	20	5,8		1700159



- (GB) EMBEDDED LOWER GUIDE ROLLER WITH PLATE FOR SLIDING DOORS AND SHUTTERS
- (D) UNTERE FÜHRUNGSROLLE FÜR TÜREN UND TORE
- (F) GUIDE À ROULEAU INFÉRIEUR INTÉGRÉ AVEC PLATINE POUR PORTES COULISSANTES ET VOLETS
- (E) RODILLO DE GUÍA INFERIOR INTEGRADA CON PLATO PARA POSTIGOS Y PUERTAS CORREDERAS
- (P) ROLETE GUÍA INFERIOR EMBUTIDO COM PLACA PARA PORTAS E PERSIANAS DESLIZANTES
- (I) RULLO PER GUIDA INFERIORE INCORPORATA, CON PIASTRA, PER PORTE E SERRANDE SCORREVOLI
- (DK) INDSTØBT NEDERSTE STYREVALSE MED PLADE TIL SKYDEPORTE OG LUKKERE
- (NL) VASTE GELEIDINGSROL ONDERKANT MET GRONDPLAAT VOOR SCHUIFDEUREN EN LUIKEN
- (N) INNEBYGD LAVERE STYRE RULLE MED PLATE FOR SKYVEDØRER OG SKODDER
- (S) INBYGGD UNDER RULLGEJD MED PLATTA FÖR SKJUTBARA DÖRRAR OCH FÖNSTERLUCKOR
- (FIN) KOTELOITU ALA-OHJAUSRULLA LEVYLLÄ LIUKKUIVIN JA -LUUKKUIHIN
- (PL) WBUDOWANA DOLNA ROLKA PROWADZĄCA Z PŁYTKĄ DO DRZWI PRZESUWNYCH I ŻALUZJI
- (SK) KLADKA SPODNÁ VODIACA S PLATŇOU PRE DVERE, BRÁNY A SVETLOLAMY
- (EE) SISSEBURUTUD ALUMINE JUHTRULLIK PLAADIGA LIUGUSTE JA -LUUKIDE JAOKS
- (LT) ILEISTASIS APATINIO KREIPTUVO RITINĖLIS SU PLOKŠTELE STUMDOMOSIOMS DURIMS IR LANGINĖMS
- (LV) IEBŪVĒTS APAKŠĒJAIS VADRULLĪTIS AR PLĀKŠNI BĪDĀMAJĀM DURVĪM UN AIZBĪDĪNIEM


- (CZ) KLADKA SPODNÍ VODÍČI S PLOTNOU PRO DVEŘE, VRATA A SVĚTLOLAMY
- (RO) ROLĂ INFERIOARĂ ÎNCASTRATĂ CU PLACĂ PENTRU UȘILE GLISANTE ȘI ÎNCHIZĂTOARE
- (HR) UKLOPLJENA DONJA ROLICA S PLOČOM, ZA KLIZNA VRATA I ŽALUZINE
- (RUS) РОЛИК НИЖНИЙ НАПРАВЛЯЮЩИЙ С ПЛАСТИНОЙ ДЛЯ ДВЕРЕЙ, ВОРОТ И ЖАЛЮЗЕЙ
- (SLO) UTOPNO SPODNJE VODILNO KOLO S PLOŠČO ZA DRŠNA VRATA IN ŽALUZJE
- (TR) SÜRGÜLÜ KAPILAR VE OPTÜRATÖRLER İÇİN PLAKALI GÖMÜLÜ ALT KIZAK RULMANI
- (AR) بكرة نةبلة منخفضة مدمجة مع لوحة الأواب والرفات المزودة
- (CHN) 滑动门与百叶窗嵌入式带导轨下导轮
- (MAL) PENGGULING PANDU BAWAH TERBENAM DENGAN PLAT UNTUK PINTU DAN PENUTUP GELONGSOR
- (H) BEÁGYAZOTT ALSÓ VEZETŐGÖRGŐ LEMEZZEL, TOLÓAJTÓKHOZ ÉS ZSILÍPEKHEZ
- (IL) גלגל מוביל תחתון דלתות חדרים
- (BG) ВЛОЖЕНА ДОЛНА РОЛКА ВОДАЧ С ПЛАНКА ЗА ПЪЛЗГАЩИ ВРАТИ И КАПАЦИ
- (KO) 슬라이딩 도어 및 셔터를 내장식 하단 가이드 롤러 및 플레이트
- (SRB) UGRABEN DONJI VALJAK SA PLOČOM ZA KLIZNA VRATA I ŽALUZINE KAPJIE

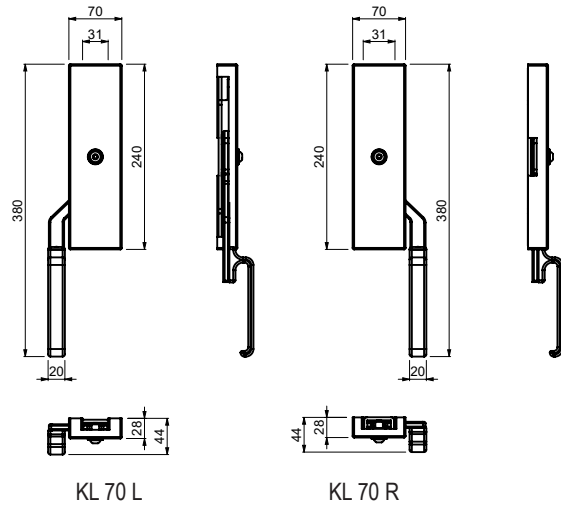
Art.	1pc				CODE
	kg	pcs	kg		
RS 40	0,34	20	6,8		1700160



- (GB) EMBEDDED HANDLE
- (D) MUSCHELGRIF
- (F) POIGNÉE INTÉGRÉE
- (E) ASA INTEGRADA
- (P) MAÇANETA EMBUTIDA
- (I) MANIGLIA AD INCASSO
- (DK) INDSTØBT HÅNDTAG
- (NL) HANDVAT
- (N) INNEBYGD HÅNDTAK
- (S) INBYGGT HANDTAG
- (FIN) KOTILOITTU KÄHVA
- (PL) UCHWYT WPUSZCZANY
- (SK) MADLO ZAPUŠTENÉ
- (EE) SISSESURUTUD KÄEPIIDE
- (LT) ĮLEISTOJI RANKENA
- (LV) IESTRĀDĀTS ROKTURIS

- (CZ) MADLO ZAPUŠTENÉ
- (RO) MÁNER ÎNCASTRAT
- (HR) UPUŠTENI RUKOHVAT
- (RUS) РУЧКА УТОПЛЕННАЯ
- (SLO) UTOPNI ROČAJ
- (TR) GÖMÜLÜ KOL
- (AR) مقبض مدمج
- (CHN) 嵌入式把手
- (MAL) PEMEGANG TERBENAM
- (H) SÜLLYESZTETT FOGANTYÚ
- (IL) ידית שקועה לילת חזת
- (BG) ДРЪЖКА ЗА ВКОПАН МОНТАЖ
- (KO) 내장식 손잡이
- (SRB) UPUŠTENI TUČKA

Art.	1pc			CODE
	kg	pcs	kg	
MS 40	0,17	20	3,4	1700145



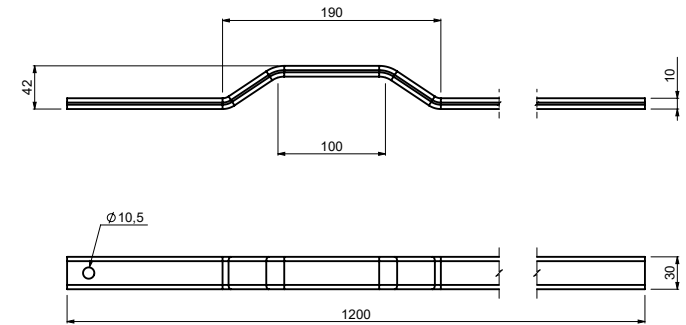
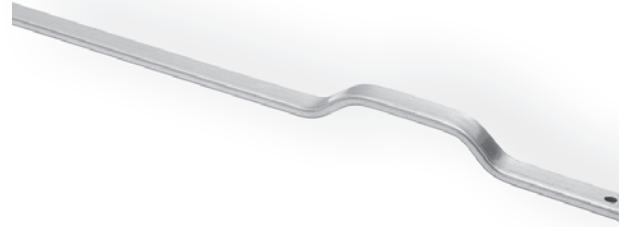
KL 70 L

KL 70 R

- (GB) VERTICAL LOCK FOR SLIDING DOORS
- (D) TRIEBRIEGEL
- (F) SERRURE VERTICALE POUR PORTES COULISSANTES
- (E) BLOQUEO VERTICAL PARA PUERTAS CORREDERAS
- (P) TRAVA VERTICAL PARA PORTAS DESLIZANTES
- (I) SERRATURA VERTICALE PER PORTE SCORREVOLI
- (DK) VERTIKAL LÅS TIL SKYDEDØRE
- (NL) VERTICAAL SLOT VOOR SCHUIFDEUREN
- (N) VERTIKAL LÅS FOR SKYVEDØRER
- (S) VERTIKALT LÅS FÖR SKJUTBARA DÖRRAR
- (FIN) PYSTYSUORA LUKKO LIUKUOVIIN
- (PL) ZAMEK PIONOWY DO DRZWI PRZESUWNYCH
- (SK) KLÚČKA S VERTIKÁLNYM POHYBOM PRE POSUVNÉ ZÁVESNÉ BRÁNY
- (EE) VERTIKAALNE LUKK LIUGUSTE JAOKS
- (LT) VERTIKALUS STUMDOMŲ DURŲ UŽRAKTAS
- (LV) VERTIKĀLS FIKSĀTORS BĪDĀMAJĀM DURVĪM

- (CZ) KLIKA S VERTIKÁLNÍM POHYBEM PRO POSUVNÁ ZAVĚŠENÁ VRATA
- (RO) BLOCAJ VERTICAL PENTRU UȘILE GLISANTE
- (HR) VERTIKALNA BRAVA ZA KLIZNA VRATA
- (RUS) ЗАТВОР ВЕРТИКАЛЬНЫЙ ДЛЯ РАЗДВИЖНЫХ ПОДВЕСНЫХ ПРОМЫШЛЕННЫХ ВОРОТ
- (SLO) VERTIKALNA KLJUČAVNICA ZA DRSNÁ VRATA
- (TR) SÜRGÜLÜ KAPILAR İÇİN DİKEY KİLİT
- (AR) القفل العمودي للأبواب المنزلقة
- (CHN) 滑动门垂直锁
- (MAL) KUNCI MENEGAK UNTUK PINTU GELONGSOR
- (H) FÜGGŐLEGES ZÁR TOLÓAJTÓKHOZ
- (IL) ברית אנכי לדלת הזזה כבדה
- (BG) ВЕРТИКАЛНА КЛЮЧАЛКА ЗА ПЛЪЗГАЩИ ВРАТИ
- (KO) 슬라이딩 도어를 수직 잠금장치
- (SRB) VERTIKALNA BRAVA ZA KLIZNA VRATA

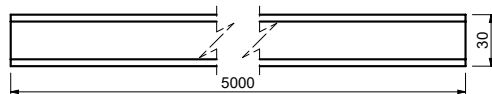
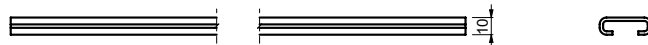
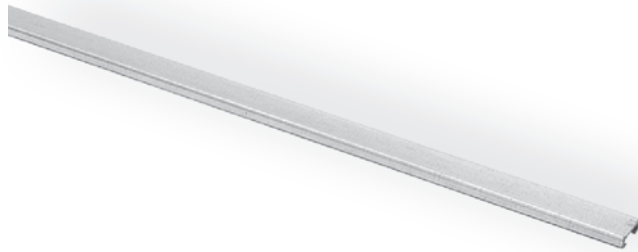
Art.	ROD	1pc		CODE
		kg	pcs	
KL 70 L	TL 30/TL 40	1,44	5	1700148
KL 70 R	TL 30/TL 40	1,44	5	1700149



- (GB) LOWER VERTICAL LOCKING ROD FOR SLIDING DOORS
- (D) STANGE FÜR TRIEBRIEGEL
- (F) TIGE DE FERMETURE VERTICALE INFÉRIEURE POUR PORTES COULISSANTES
- (E) VARILLA DE BLOQUEO VERTICAL INFERIOR PARA PUERTAS CORREDERAS
- (I) ASTA DI BLOCCAGGIO VERTICALE INFERIORE, PER PORTE SCORREVOLI
- (DK) NEDERSTE VERTIKALE LÅSESTANG TIL SKYDEDØRE
- (NL) ONDERSTE VERTICALE SLUITSTANG VOOR SCHUIFDEUREN
- (N) NEDRE VERTIKALE LÅSESTANG FOR SKYVEDØRER
- (S) UNDRE VERTIKAL LÅSSTÅNG FÖR SKJUTBARA DÖRRAR
- (FIN) ALEMPI PYSTYSUORA LUKITUSVARSI LIUKUOVIIN
- (PL) DOLNY PIONOWY PRĘT BLOKUJĄCY DO DRZWI PRZESUWNYCH
- (SK) TYČ ZATVÁRACIA SPODNÁ PRE KLÚČKU S VERTIKÁLNYM POHYBOM
- (EE) ALUMINE VERTIKAALNE LUKUSTUSVARRAS LIUGUSTE JAOKS
- (LT) APATINIS VERTIKALUS STUMDOMŲ DURŲ UŽRAKTO STRYPAS
- (LV) VERTIKĀLS APAKŠĒJĀIS FIKSĒŠANAS STIENIS BĪDĀMAJĀM DURVĪM

- (CZ) TYČ ZAVÍRACÍ SPODNÍ PRO KLIKU S VERTIKÁLNÍM POHYBEM
- (RO) TIJĂ BLOCAJ VERTICALĂ INFERIOARĂ PENTRU UȘILE GLISANTE
- (HR) DONJA ŠIPKA VERTIKALNE BRAVE ZA KLIZNA VRATA
- (RUS) НИЖНЯЯ ЗАКРЫВАЮЩАЯ РЕЙКА ДЛЯ ВЕРТИКАЛЬНОГО ЗАТВОРА
- (SLO) SPODNJI VERTIKALNI ZAPORNI ZATIČ KLJUČAVNICE ZA DRSNÁ VRATA
- (TR) SÜRGÜLÜ KAPILAR İÇİN ALT DİKEY KİLİTLEME ÇUBUĞU
- (AR) قضيب القفل العمودي المنخفض للأبواب المنزلقة
- (CHN) 滑动门下垂直锁杆
- (MAL) ROD MENGUNCI TEGAK BAWAH UNTUK PINTU GELONGSOR
- (H) ALSÓ FÜGGŐLEGES ZÁR-RÚD TOLÓAJTÓKHOZ
- (IL) מוט ברית תחתון
- (BG) ДОПЕН ЛОСТ ЗА ВЕРТИКАЛНА КЛЮЧАЛКА ЗА ПЛЪЗГАЩИ ВРАТИ
- (KO) 슬라이딩 도어를 하단 수직 잠금대
- (SRB) DONJA ŠIPKA VERTIKALNE BRAVE ZA KLIZNA VRATA

Art.	LOCK	SURFACE FINISH	1pc		CODE
			kg	pc	
TL 30	KL 70 L/R	GALVANIZED	0,98	1	1700150

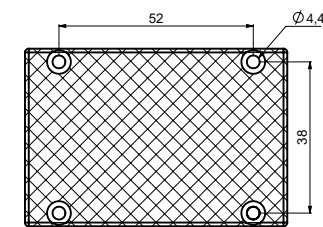
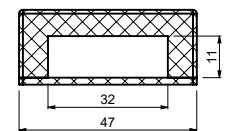
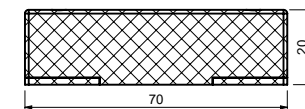
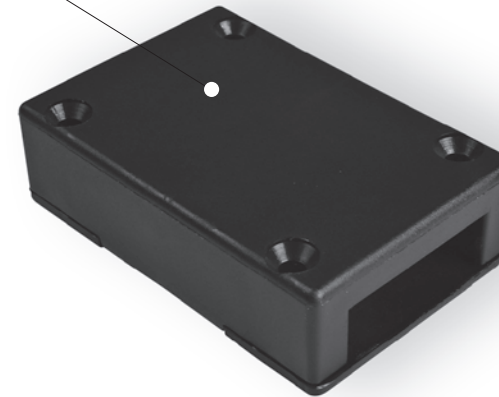


- (GB) UPPER VERTICAL LOCKING ROD FOR SLIDING DOORS
- (D) UNTERE SCHLIESSSTANGE FÜR TRIEBRIEGEL
- (F) TIGE DE FERMETURE VERTICALE SUPÉRIEURE POUR PORTES COULISSANTES
- (E) VARILLA DE BLOQUEO VERTICAL SUPERIOR PARA PUERTAS CORREDERAS
- (P) HASTE DE TRAVAMENTO VERTICAL SUPERIOR PARA PORTAS DESLIZANTES
- (I) ASTA DI BLOCCAGGIO VERTICALE SUPERIORE, PER PORTE SCORREVOLI
- (DK) ØVERSTE VERTIKALE LÅSESTANG TIL SKYDEDØRE
- (NL) BOVENSTE VERTICALE SLUITSTANG VOOR SCHUIFDEUREN
- (N) ØVRE VERTIKALE LÅSESTANG FOR SKYVEDØRER
- (S) ØVRE VERTIKAL LÅSSTANG FÖR SKJUTBARA DÖRRAR
- (FIN) YLEMPI PYSTYSUORA LUKITUSVARSI LIUKUOVIIN
- (PL) GÓRNY PIONOWY PRĘT BLOKUJĄCY DO DRZWI PRZESUWNYCH
- (SK) TYČ ZATVÁRACIA HORNÁ PRE KLUČKU S VERTIKÁLNYM POHYBOM
- (EE) ÜLEMINE VERTIKAALNE LUKUSTUSVARRAS LIUGUSTE JAOKS
- (LT) VIRŠUTINIS VERTIKALUS STUMDOMŲ DURŲ UŽRAKTO STRYPAS
- (LV) VERTIKĀLS AUGŠĒJĀIS FIKSĒŠANAS STIENIS BĪDĀMAJĀM DURVĪM

- (CZ) TYČ ZAVÍRACÍ HORNÍ PRO KLIKU S VERTIKÁLNÍM POHYBEM
- (RO) TIJĂ BLOCĂJ VERTICALĂ SUPERIOARĂ PENTRU UȘILE GLISANTE
- (HR) GORNJA ŠIPKA VERTIKALNE BRAVE ZA KLIZNA VRATA
- (RUS) ВЕРХНЯЯ ЗАКРЫВАЮЩАЯ РЕЙКА ДЛЯ ВЕРТИКАЛЬНОГО ЗАТВОРА
- (SLO) ZGORNJI VERTIKALNI ZAPORNI ZATIČ KLJUČAVNICE ZA DRSNNA VRATA
- (TR) SÜRGÜLÜ KAPILAR İÇİN ÜST DIKEY KİLİTLEME ÇUBUĞU
- (AR) قضيب القفل العمودي للأبواب المنزلقة
- (CHN) 滑动门上垂直锁杆
- (MAL) ROD MENGUNCI TEGAK ATAS UNTUK PINTU GELONGSOR
- (H) FELSŐ FÜGGŐLEGES ZÁR-RÚD TOLÓAJTÓKHOZ
- (IL) מוט ברזל עליון
- (BG) ГОРЕН ЛОСТ ЗА ВЕРТИКАЛНА КЛЮЧАЛКА ЗА ПЛЪЗГАЩИ ВРАТИ
- (KO) 슬라이딩 도어를 상단 수직 잠금대
- (SRB) GORNJA ŠIPKA VERTIKALNE BRAVE ZA KLIZNA VRATA

Art.	LOCK	SURFACE FINISH	1pc			CODE
			kg	pc	kg	
TL 40	KL 70 L/R	GALVANIZED	4,1	1	4,1	1700151

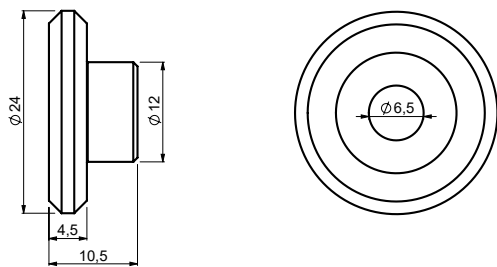
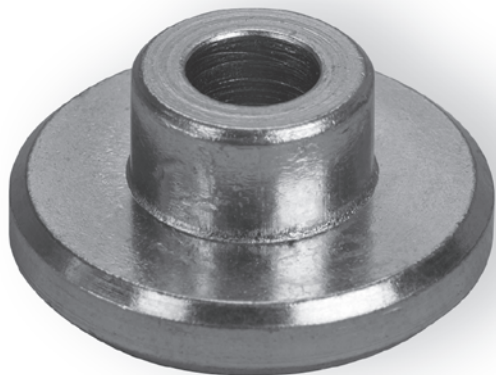
polyamide



- (GB) GUIDE FOR UPPER AND LOWER VERTICAL LOCKING ROD ET INFÉRIEURE
- (D) FÜHRUNG FÜR FÜHRUNGSSTANGE
- (F) GUIDE POUR TIGE DE FERMETURE VERTICALE SUPÉRIEURE ET INFÉRIEURE
- (E) GUÍA PARA VARILLA DE BLOQUEO VERTICAL SUPERIOR E INFERIOR
- (P) GUIA PARA HASTE DE TRAVA VERTICAL SUPERIOR E INFERIOR
- (I) GUIDA PER ASTA DI BLOCCAGGIO VERTICALE SUPERIORE E INFERIORE
- (DK) VANGE TIL ØVERSTE OG NEDERSTE VERTIKALE LÅSESTANG
- (NL) GELEIDER VOOR BOVENSTE EN ONDERSTE VERTICALE SLUITSTANG
- (N) STYRESKINNE FOR ØVRE OG NEDRE VERTIKALE LÅSESTANG
- (S) GEJD FÖR ØVRE OCH UNDRER VERTIKAL LÅSSTANG
- (FIN) OHJAIN YLEMPÄÄN JA ALEMMAAN PYSTYSUORAAN LUKITUSVARTEEN
- (PL) PROWADNICA GÓRNEGO I DOLNEGO PIONOWEGO PRĘTA BLOKUJĄCEGO
- (SK) VODÍTKO PRE TYČ SPODNÉ A HORNÉ
- (EE) JUHIK ÜLEMISE- JA ALUMISE VERTIKAALSE LUKUSTUSVARDA JAOKS
- (LT) VIRŠUTINIO IR APATINIO VERTIKALUS UŽRAKTO STRYPO KREIPTUVAS
- (LV) VADOTNE VERTIKĀLAM AUGŠĒJĀM UN APAKŠĒJĀM FIKSĒŠANAS STIENĪM

- (CZ) VODÍTKO PRO TYČ SPODNÍ A HORNÍ
- (RO) GHIDAJ PENTRU TIJA DE BLOCARE VERTICALĂ INFERIOARĂ ȘI SUPERIOARĂ
- (HR) VODILICA ZA GORNJU I DONJU ŠIPKU VERTIKALNE BRAVE
- (RUS) НАПРАВЛЯЮЩИЙ КРОНШТЕЙН ДЛЯ НИЖНЕЙ И ВЕРХНЕЙ ВЕРТИКАЛЬНОЙ ЗАКРЫВАЮЩЕЙ РЕЙКИ
- (SLO) VODILO ZA ZGORNJI IN SPODNJI ZAPORNI ZATIČ VERTIKALNE KLJUČAVNICE
- (TR) ÜST VE ALT DIKEY KİLİTLEME ÇUBUĞU İÇİN KIZAK
- (AR) دليل قضيب القفل العمودي والمخفض
- (CHN) 上下垂直锁杆导轨
- (MAL) PANDU UNTUK ROD MENGUNCI TEGAK ATAS DAN BAWAH
- (H) VEZETŐELEM A FELSŐ ÉS AZ ALSÓ FÜGGŐLEGES ZÁR-RÚDHOZ
- (IL) מוביל לברזל עליון ותחתון
- (BG) ВОДАЧ ЗА ГОРЕН И ДОЛЕН ЛОСТ ЗА ВЕРТИКАЛНА КЛЮЧАЛКА
- (KO) 상단 및 하단 수직 잠금대용 가이드
- (SRB) VODICA ZA GORNJU I DONJU ŠIPKU VERTIKALNE BRAVE

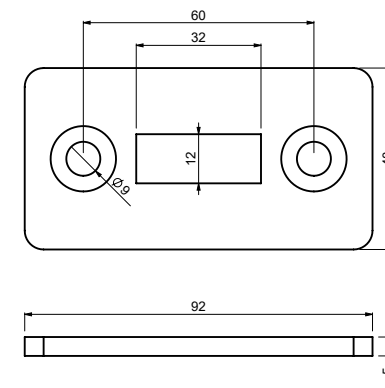
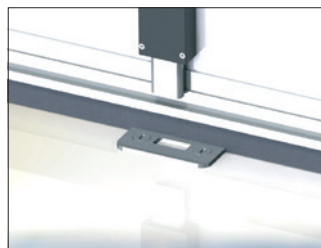
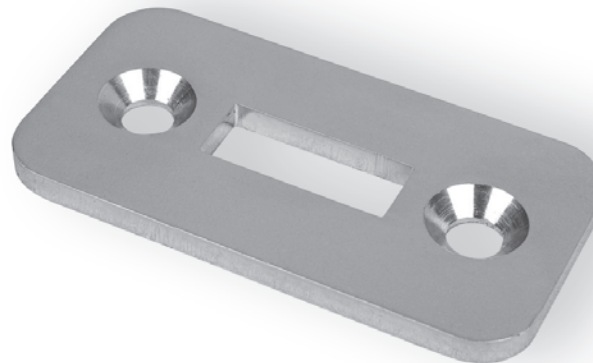
Art.	ROD	1pc		CODE
		kg	pcs	
TL 70	TL 30/TL 40	0,04	4	1700166



- (GB) GUIDE FOR UPPER AND LOWER VERTICAL LOCKING ROD
- (D) FÜHRUNG FÜR FÜHRUNGSSTANGE
- (F) GUIDE POUR TIGE DE FERMETURE VERTICALE SUPÉRIEURE ET INFÉRIEURE
- (E) GUÍA PARA VARILLA DE BLOQUEO VERTICAL SUPERIOR E INFERIOR
- (P) GUIA PARA HASTE DE TRAVA VERTICAL SUPERIOR E INFERIOR
- (I) GUIDA PER ASTA DI BLOCCAGGIO VERTICALE SUPERIORE E INFERIORE
- (DK) VANGE TIL ØVERSTE OG NEDERSTE VERTIKALE LÅSESTANG
- (NL) GELEIDER VOOR BOVENSTE EN ONDERSTE VERTICALE SLUITSTANG
- (N) STYRESKINNE FOR ØVRE OG NEDRE VERTIKALE LÅSESTANG
- (S) GEJD FÖR ØVRE OCH UNDRE VERTIKAL LÅSSTÅNG
- (FIN) OHJAIN YLEMPÄÄN JA ALEMPÄÄN PYSTYSUORAAN LUKITUSVARTEEN
- (PL) PROWADNICA GÓRNEGO I DOLNEGO PIONOWEGO PRĘTA BLOKUJĄCEGO
- (SK) VODÍTKO PRE TYČ SPODNÉ A HORNÉ
- (EE) JUHIK ÜLEMISE- JA ALUMISE VERTIKAALSE LUKUSTUSVARDA JAOKS
- (LT) VIRŠUTINIO IR APATINIO VERTIKALIAUS UŽRAKTO STRYPO KREIPTUVAS
- (LV) VADOTNE VERTIKĀLAM AUGŠĒJAM UN APAKŠĒJAM FIKSĒŠANAS STIENIM

- (CZ) VODÍTKO PRO TYČ SPODNÍ A HORNÍ
- (RO) GHIDAJ PENTRU TIJA DE BLOCARE VERTICALĂ INFERIOARĂ ȘI SUPERIOARĂ
- (HR) VODILICA ZA GORNJU I DONJU ŠIPKU VERTIKALNE BRAVE
- (RUS) НАПРАВЛЯЮЩИЙ КРОНШТЕЙН ДЛЯ НИЖНЕЙ И ВЕРХНЕЙ ВЕРТИКАЛЬНОЙ ЗАКРЫВАЮЩЕЙ РЕЙКИ
- (SLO) VODILO ZA ZGORNJI IN SPODNJI ZAPORNI ZATIČ VERTIKALNE KLJUČAVNICE
- (TR) ÜST VE ALT DIKEY KİLITLEME ÇUBUĞU İÇİN KIZAK
- (AR) دليل قضيب القفل العمودي العلوي والمنخفض
- (CHN) 上下垂直锁杆导轨
- (MAL) PANDU UNTUK ROD MENGUNCI TEGAK ATAS DAN BAWAH
- (H) VEZETŐELEM A FELSŐ ÉS AZ ALSÓ FÜGGŐLEGES ZÁR-RÚDHOZ
- (IL) מנביל לבריה עליון ותחתון
- (BG) ВОДАЧ ЗА ГОРЕН И ДОЛЕН ЛОСТ ЗА ВЕРТИКАЛНА КЛЮЧАЛКА
- (KO) 상단 및 하단 수직 잠금대용 가이드
- (SRB) VODICA ZA GORNJU I DONJU ŠIPKU VERTIKALNE BRAVE

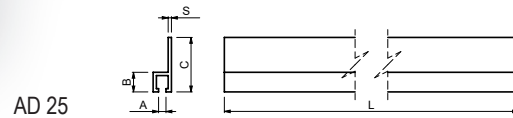
Art.	ROD	1pc		CODE
		kg	pcs	
TL 50	TL 30/TL 40	0,01	4	1700152



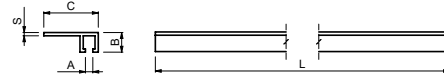
- (GB) END STOP FOR LOWER VERTICAL LOCKING ROD
- (D) BODENHALTERUNG FÜR TORSTANGE
- (F) BUTÉE POUR TIGE DE FERMETURE VERTICALE INFÉRIEURE
- (E) TOPE FINAL PARA VARILLA DE BLOQUEO VERTICAL INFERIOR
- (P) BATENTE PARA HASTE DE TRAVAMENTO VERTICAL INFERIOR
- (I) FERMO DI FINE CORSA PER ASTA DI BLOCCAGGIO VERTICALE INFERIORE
- (DK) ENDESTOP TIL NEDERSTE VERTIKALE LÅSESTANG
- (NL) EINDSTOP VOOR ONDERSTE VERTICALE SLUITSTANG
- (N) ENDESTOPPER FOR NEDRE VERTIKALE LÅSESTANG
- (S) ÄNDSTOPP FÖR UNDRE VERTIKAL LÅSSTÅNG
- (FIN) PÄÄTYPYSÄYTIN ALEMPÄÄN PYSTYSUORAAN LUKITUSVARTEEN
- (PL) OGRANICZNIK DOLNEGO PIONOWEGO PRĘTA BLOKUJĄCEGO
- (SK) ZÁPADKA PRE SPODNÚ TYČ
- (EE) OTSALÕPP ALUMISE VERTIKAALSE LUKUSTUSVARDA JAOKS
- (LT) VIRŠUTINIO VERTIKALIAUS UŽRAKTO STRYPO GALINIS RIBOKLIS
- (LV) GALA AIZTURIS VERTIKĀLAM APAKŠĒJAM FIKSĒŠANAS STIENIM

- (CZ) ZÁPADKA PRO TYČ SPODNÍ
- (RO) OPRITOR DE CURSĂ PENTRU TIJA DE BLOCARE INFERIOARĂ VERTICALĂ
- (HR) GRANIČNIK ZA DONJU ŠIPKU VERTIKALNE BRAVE
- (RUS) УЛАВЛИВАТЕЛЬ НИЖНЕЙ ВЕРТИКАЛЬНОЙ ЗАКРЫВАЮЩЕЙ РЕЙКИ
- (SLO) ZAUSTAVLJALNIK ZA SPODNJI VERTIKALNI ZAPORNI ZATIČ
- (TR) ALT DIKEY KİLITLEME ÇUBUĞU İÇİN UÇ TESPİT PARÇASI
- (AR) ممانع طرفي لقضيب القفل العمودي المنخفض
- (CHN) 下垂直锁杆终点挡块
- (MAL) PENYENDAL HUJUNG UNTUK ROD MENGUNCI TEGAK BAWAH
- (H) ÚTKÖZŐ AZ ALSÓ FÜGGŐLEGES ZÁR-RÚDHOZ
- (IL) מקבל לבריה עליון ותחתון
- (BG) СТОПЕР ЗА ДОЛЕН ЛОСТ ЗА ВЕРТИКАЛНА КЛЮЧАЛКА
- (KO) 하단 수직 잠금대용 종단 장치대
- (SRB) GRANIČNIK ZA DONJU ŠIPKU VERTIKALNE BRAVE

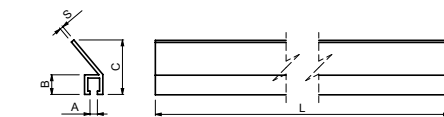
Art.	ROD	1pc		CODE
		kg	pcs	
TL 90	TL 30/TL 40	0,14	20	1700153



AD 25



AS 25



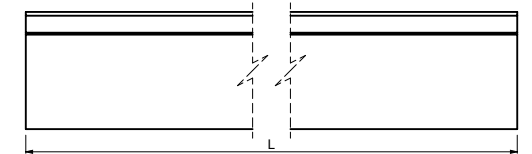
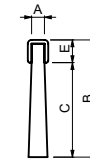
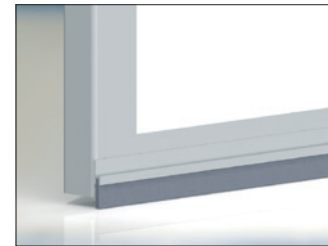
AR 25



- (GB) FORMED HOLDER FOR DOOR BRUSH SEALER
- (D) LEISTE FÜR AUFNAHME EINER BÜRSTE
- (F) SUPPORT PROFILÉ POUR BAS DE PORTE BROUSSE
- (E) SOPORTE PERFILADO PARA SELLADOR DE CEPILLO DE PUERTA
- (P) FIXADOR PARA SELADOR DA ESCOVA DA PORTA
- (I) SOSTEGNO CONFORMATO PER GUARNIZIONE A SPAZZOLA DELLA PORTA
- (DK) FORMET HOLDER TIL DØRBØRSTEFORSEGLER
- (NL) PROFIEL VOOR DEURBORSTEL
- (N) FORMET HOLDER TIL DØRBØRSTETÆTNING
- (S) FORMAD HÅLLARE FÖR DÖRRBORSTETÄTNING
- (FIN) MUOTOILTU PIDIKE OVIHARJAN TIIVISTEESÄEN
- (PL) KSZTAŁTOWY UCHWYT SZCZOTKI USZCZELNIAJĄCEJ DRZWI
- (SK) LIŠŤA PRE FIXÁCIU TESNIAČEJ KEFY
- (EE) VORMITUD HOIDIK UKSE HARJASTEGA TIHENDI JAOKS
- (LT) SUFORMUOTAS ŠEPETINIO DURŲ SANDARIKLIO LAIKIKLIS
- (LV) PROFILĒTS TURETĀJS DURVJU SARU NOBLĪVĒJUMAM

- (CZ) LIŠŤA PRO FIXACI KARTÁČE
- (RO) SUPTOR MODELAT PENTRU ETANȘARE DE TIP PERIE A UȘII
- (HR) OBLIKOVANI DRŽAČ ČETKASTE TRAKE ZA VRATA
- (RUS) ПЛАНКА ДЛЯ КРЕПЛЕНИЯ ЩЕТКИ
- (SLO) PROFILIRANI NOSILEC ZA TESNILNO ŠČETKO ZA VRATA
- (TR) KAPI SÜPÜRGELİĞİ FITİLİ İÇİN ŞEKİLLENDİRİLMİŞ TUTAMAK
- (AR) الحامل المركب لمنع قشرة الباب
- (CHN) 门刷式密封异型座
- (MAL) PEMEGANG TERBENTUK UNTUK PENUTUP BERUS PINTU
- (H) RÖGZITŐPROFIL AZ AJTÓKEFÉS SZIGETELÉSHEZ
- (IL) מסילה למברשת
- (BG) ПЛАНКА ДЪРЖАЧ ЗА ЧЕТКА ЗА ВРАТА
- (KO) 도어 브러시 밀봉재용 성형식 홀더
- (SRB) OBLIKOVANI DRŽAČ ČETKASTE TRAKE ZA VRATA

Art.	C	A	B	S	L/1pc	BRUSH	1pc			CODE
							kg	pc	kg	
	mm									
AD 25/2	25	3,4	9	1,2	2000	BD 25/35/45	0,24	1	0,24	1700228
AD 25/1	25	3,4	9	1,2	1000	BD 25/35/45	0,12	1	0,12	1700154
AS 25/2	25	3,4	9	1,2	2000	BD 25/35/45	0,24	1	0,24	1700229
AS 25/1	25	3,4	9	1,2	1000	BD 25/35/45	0,12	1	0,12	1700155
AR 25/2	25	3,4	9	1,2	2000	BD 25/35/45	0,3	1	0,3	1700230
AR 25/1	25	3,4	9	1,2	1000	BD 25/35/45	0,15	1	0,15	1700199



- (GB) DOOR BRUSH SEALER
- (D) ABDICHTBÜRSTE FÜR TÜREN UND TORE
- (F) BAS DE PORTE BROUSSE
- (E) SELLADOR DE CEPILLO DE PUERTA
- (P) SELADOR DA ESCOVA DA PORTA
- (I) GUARNIZIONE A SPAZZOLA DELLA PORTA
- (DK) DØRBØRSTEFORSEGLER
- (NL) DEURBORSTEL
- (N) DØRBØRSTETÆTNING
- (S) DÖRRBORSTETÄTNING
- (FIN) OVIHARJAN TIIVISTE
- (PL) SZCZOTKA USZCZELNIAJĄCA DO DRZWI
- (SK) TESNIAČA KEFA PRE UTESNENIE DVERÍ A BRÁN
- (EE) UKSE HARJASTEGA TIHEND
- (LT) ŠEPETINIS DURŲ SANDARIKLIS
- (LV) DURVJU SARU NOBLĪVĒJUMS

- (CZ) KARTÁČ PRO UTĚSNĚNÍ DVEŘÍ A VRAT
- (RO) ETANȘARE DE TIP PERIE A UȘII
- (HR) ČETKASTA TRAKA ZA VRATA
- (RUS) ЩЕТКА ДЛЯ УПЛОТНЕНИЯ ДВЕРЕЙ И ВОРОТ
- (SLO) TESNILNA ŠČETKA ZA VRATAE
- (TR) KAPI SÜPÜRGELİĞİ FITİLİ
- (AR) مانع تسرب قشرة الباب
- (CHN) 门刷式密封
- (MAL) PENUTUP BERUS PINTU
- (H) SZIGETELŐ AJTÓKEFE
- (IL) מברשת אטימה
- (BG) ЧЕТКА ЗА ВРАТА
- (KO) 도어 브러시 밀봉재
- (SRB) ČETKASTA TRAKA ZA VRATA

Art.	B	A	C	E	L/1pc	HOLDER	1pc			CODE
							kg	pc	kg	
	mm									
BD 25/2	30	5	25	5	2000	AD 25/AS 25/AR25	0,28	1	0,28	1700231
BD 25/1	30	5	25	5	1000	AD 25/AS 25/AR25	0,14	1	0,14	1700156
BD 35/2	40	5	35	5	2000	AD 25/AS 25/AR25	0,3	1	0,3	1700232
BD 35/1	40	5	35	5	1000	AD 25/AS 25/AR25	0,15	1	0,15	1700157
BD 45/2	50	5	45	5	2000	AD 25/AS 25/AR25	0,34	1	0,34	1700233
BD 45/1	50	5	45	5	1000	AD 25/AS 25/AR25	0,17	1	0,17	1700158

“THE PESSIMIST
COMPLAINS ABOUT
THE WIND. THE OPTIMIST
EXPECTS IT TO CHANGE.
THE LEADER ADJUST
THE SAILS.”

“THE MEASURE
OF INTELLIGENCE
IS THE ABILITY
TO CHANGE”

Albert Einstein –



- 

NEW
18 CONNECT 60
- 

NEW
24 TOWER
- 


NEW
26 TWIN DRIVE GUARD
- 


NEW
28 TWIN DRIVE PLUS
- 


30 TWIN DRIVE
- 


32 FOLLOW ME S
- 


34 FOLLOW ME M


- 

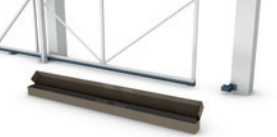
NEW
36 TRIDENT 7.5
- 

NEW
38 SHORTBACK DUE
- 


NEW
40 SHORTBACK TRE
- 


NEW
42 SHORTBACK QUATTRO
- 


NEW
44 SNAPCLIP
- 


NEW
46 SLYDER 1.3
- 


NEW
48 LOWCUT 4.0


- 


NEW
50 MAMBA MAX 10.0
- 

NEW
52 CROSSTRACK S
- 

NEW
54 CROSSTRACK M
- 

NEW
56 CHEVRON
- 

58 HANGAR
- 

60 ALL IN ONE S
- 

62 ALL IN ONE M





CANTILEVER SETS



66

SOLE
MARE
VITA
FERO
DINO
ENZO
DEMO



SLIDING SETS

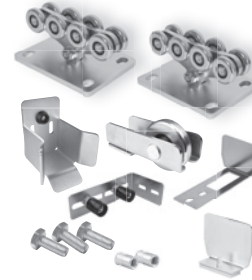


70

X-TRACK - 4.5 WTO 825, FRS2
X-TRACK - 4.5 WSO 824, FRS2
X-TRACK - 4.5 WO 824, FRS2
X-TRACK - 5.5 WTO 825, FRS2
X-TRACK - 5.5 WSO 824, FRS2
X-TRACK - 5.5 WO 824, FRS2



LOWCUT



72

MARE LOWCUT 02
MARE LOWCUT 03



CANTILEVER S

	83 STAGE SB		89 PARK 240		95 DESK SK
	83 STAGE SZ		89 PARK CSM		96 RAMP SE
	84 SPEED SE		89 PARK CSM 240		96 RAMP S
	84 SPEED S		90 PADDOCK SM		97 RAMP SK
	85 SPEED SK		90 PADDOCK 2		97 CLINCH 16
	85 SPEEDS-LOWCUT		91 PADDOCK 4		
	86 RUN S		92 DOCKER O		
	86 PILOT SR		92 PADDOCK O		
	87 PILOT SN		93 FINISH S		
	87 DRIVESHAFT 80		93 DIAGON 60		
	87 DRIVESHAFT 100		93 DIAGON 80		
	88 LAST S		94 TOWER		
	88 LAST SMK		94 DESK SE		
	89 PARK		95 DESK S		



CANTILEVER M

	105 STAGE MB		111 PARK 240		117 RAMP MEK
	105 STAGE MZ		111 PARK CSM		117 CLINCH 16
	106 SPEED ME		111 PARK CSM 240		
	106 SPEED M		112 PADDOCK SM		
	107 SPEED MEK		112 PADDOCK 2		
	107 FINISH M		113 PADDOCK 4		
	108 RUN M		113 DIAGON 60		
	108 PILOT MR		113 DIAGON 80		
	109 PILOT MN		114 TOWER		
	109 DRIVESHAFT 80		114 DESK ME		
	109 DRIVESHAFT 100		115 DESK M		
	110 LAST M		115 DESK MEK		
	110 LAST SMK		116 RAMP ME		
	111 PARK		116 RAMP M		



CANTILEVER M MAX

	121 STAGEMZ-MAX420		127 PARK CSM
	122 SPEED M-MAX14		127 PARK CSM 240
	122 SPEEDMK-MAX14		128 PADDOCK SM
	123 FINISH M		128 PADDOCK 2
	123 DIAGON 60		129 PADDOCK 4
	123 DIAGON 80		129 PADDOCK 6
	124 RUN M		130 DESK M
	124 PILOT MR		130 RAMP M
	125 PILOT MN		131 CLINCH 16
	125 DRIVESHAFT 80		
	125 DRIVESHAFT 100		
	126 LAST M-MAX		
	126 PARK		
	126 PARK 240		



CANTILEVER L

- 134 STAGE LB
- 134 STAGE LZ
- 135 SPEED L
- 135 SPEED LK
- 136 RUN L
- 136 PILOT LR
- 137 PILOT LN
- 137 DRIVESHAFT 150
- 138 LAST L
- 138 PARK L
- 138 PARK L 350
- 139 PADDOCK L
- 139 PADDOCK 6
- 140 RAMP L
- 140 CLINCH 16



- 143 TRAIL
- 143 PIN TRAIL
- 144 ROAD
- 144 PIN ROAD
- 145 VECTOR 6
- 145 PIN VECTOR
- 146 VECTOR PACK
- 147 WV 620
- 147 WV 820
- 147 WV 920
- 147 WV 1020
- 147 WV 824 B2
- 147 WV 924 B2
- 147 WV 1024 B2
- 147 WV 1430 B2
- 147 WV 1630 B2
- 147 WV 924 B2
- 147 WV 1024 B2

- 147 WV 1228 B2
- 147 WV 1430 B2
- 147 WV 1630 B2
- 148 WO 824
- 148 WO 924
- 148 WO 1024
- 148 WO 824 B2
- 148 WO 924 B2
- 148 WO 1024 B2
- 148 WO 1228 B2
- 148 WO 1430 B2
- 148 WO 1630 B2
- 149 WTV 624
- 149 WTV 824

SLIDING GATE

- 149 WTV 1024 B2
- 150 WTO 625
- 150 WTO 825
- 150 WTO 1024 B2
- 151 WSV 820
- 151 WSV 920
- 151 WSV 1020
- 151 WSV 824 B2
- 151 WSV 924 B2
- 151 WSV 1024 B2
- 151 WSV 1228 B2
- 151 WSV 1630 B2
- 152 WSO 824
- 152 WSO 924

- 152 WSO 1024
- 152 WSO 824 B2
- 152 WSO 924 B2
- 152 WSO 1024 B2
- 152 WSO 1228 B2
- 152 WSO 1630 B2



ACCESSORIES

- 155 RW 26
- 155 RW 30
- 155 RW 40
- 155 RR 26
- 155 RR 30
- 155 RR 40
- 155 RB 26
- 155 RB 30
- 155 RB 32
- 155 RB 42/16
- 155 RB 42/20
- 156 ROB 36
- 156 ROB 48
- 156 ROB 68
- 156 REB 36
- 156 REB 48
- 156 REB 68
- 157 RR 30 - GUARD
- 157 RR 40 - GUARD
- 157 FRS/M 2 - GUARD
- 157 FRS/M 2 - GUARD MAX
- 158 FRS 2
- 158 FRM 2
- 158 FRS 2 MAX
- 158 FRM 2 MAX
- 159 SR 2
- 159 GRS 4
- 160 GOS 4
















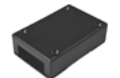

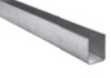





























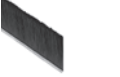




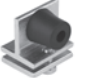



ACCESSORIES



SWING GATES



 194 AG 33	 198 2 SCTL	 207 PILOT SN	 214 KL 70 R
 194 AG 42	 198 SCTS	 208 SPEED CM	 214 TL 30
 194 AG 57	 198 SCTL	 208 STAGE MZ	 215 TL 40
 194 FINISH 33	 199 4 SCML	 209 DC 90	 215 TL 70
 194 FINISH 42	 203 MCD 60	 209 KHL 140	 216 TL 50
 194 FINISH 57	 203 AD 150	 209 KHL 180	 216 TL 90
 195 DM 8	 204 SPEED C	 210 DF 240	 217 AD 25
 195 DM 12	 204 STAGE SZ	 210 GD 200	 217 AS 25
 195 DM 20	 205 DC 70	 211 FINISH M	 217 AR 25
 196 2 SCF	 205 KHL 140	 211 PILOT MN	 217 BD 25
 196 4 SCF	 205 KHL 180	 212 RS 25	 217 BD 35
 197 2 SC	 206 DF 190	 212 RS 40	 217 BD 45
 197 4 SC	 206 GD 180	 213 MS 40	
 198 2 SCTS	 207 FINISH S	 214 KL 70 L	



EAN CODE EASY SETS

Page	Art.	CODE	EAN
18	CONNECT 60 - 4.0/1.1	1710800	8595694804277
18	CONNECT 60 - 4.0/1.3	1710801	8595694804284
18	CONNECT 60 - 4.0/1.4	1710802	8595694804291
18	CONNECT 60 - 4.0/1.8	1710806	8595694804505
24	TOWER 1.1	1710803	8595694804307
24	TOWER 1.3	1710804	8595694804314
24	TOWER 1.5	1710805	8595694804321
24	TOWER 1.8	1710807	8595694804512
26	TWIN DRIVE GUARD 6.0 E-BOX	1710922	8595694804666
26	TWIN DRIVE GUARD 3.0 E-BOX	1710923	8595694804673
28	TWIN DRIVE PLUS 6.0 E-BOX	1710912	8595694804390
28	TWIN DRIVE PLUS 3.0 E-BOX	1710913	8595694804383
30	TWIN DRIVE 6.0 E-BOX	1710901	8595694803584
30	TWIN DRIVE 3.0 E-BOX	1710902	8595694803591
32	KIT FOLLOW ME "S" 4.25	1710900	8595694803560
34	KIT FOLLOW ME "M" 8.0	1710910	8595694803577
36	KIT TRIDENT 7.5	1710911	8595694804253
38	KIT SHORTBACK DUE 5.0	1710916	8595694804444
38	KIT SHORTBACK DUE 8.0	1710917	8595694804451
40	KIT SHORTBACK TRE 5.0	1710918	8595694804468
40	KIT SHORTBACK TRE 8.0	1710919	8595694804475
42	KIT SHORTBACK QUATTRO 5.0	1710920	8595694804482
42	KIT SHORTBACK QUATTRO 8.0	1710921	8595694804499
44	SNAP CLIP E-BOX	1710914	8595694804529
46	KIT SLYDER 1.3	1710915	8595694804413
48	KIT MARE LOWCUT 02	1710118	8595694804369
48	KIT MARE LOWCUT 03	1710119	8595694804857
50	E-BOX MAMBA MAX 10.0	1710120	8595694804628
50	KIT MAMBA MAX 10.0	1710121	8595694804703
52	CROSSTRACK "S" 4.0 E-BOX	1710079	8595694803607
52	CROSSTRACK "S" 4.0 V/6 E-BOX	1710088	8595694803614
54	CROSSTRACK "M" 6.0 E-BOX	1710080	8595694803621
54	CROSSTRACK "M" 8.0 E-BOX	1710081	8595694803638
56	CHEVRON 2.5 E-BOX	1710903	8595694803645
58	KIT HANGAR 6.6	1710904	8595694803652
58	KIT HANGAR 4.4	1710905	8595694803669
58	KIT HANGAR 2.2	1710906	8595694803676
58	KIT BRUSH 6.6	1710907	8595694803683
58	KIT BRUSH 4.4	1710908	8595694803690
58	KIT BRUSH 2.2	1710909	8595694803706
60	E-BOX "SE" 4.0	1710053	8595694803713
60	E-BOX "SE" 4.0 - V6	1710054	8595694803720
62	E-BOX "M" 6.0	1710077	8595694803737
62	E-BOX "M" 8.0	1710078	8595694803744



EAN CODE CANTILEVER SETS

Page	Art.	CODE	EAN
65	X-TRACK - 4.5 WTO 825, FRS 2 E-BOX	1710200	8595694803751
65	X-TRACK - 4.5 WSO 824, FRS 2 E-BOX	1710202	8595694803775
65	X-TRACK - 4.5 WO 824, FRS 2 E-BOX	1710204	8595694803799
65	X-TRACK - 5.5 WTO 825, FRS 2 E-BOX	1710206	8595694803812
65	X-TRACK - 5.5 WSO 824, FRS 2 E-BOX	1710208	8595694803836
65	X-TRACK - 5.5 WO 824, FRS 2 E-BOX	1710210	8595694803850
66	KIT SOLE SE 02	1710018	8595694803874
66	KIT SOLE SE 03	1710019	8595694803881
66	KIT MARE S 02	1710040	8595694803898
66	KIT MARE S 03	1710041	8595694803904
66	KIT VITA ME 02	1710042	8595694803911
66	KIT VITA ME 03	1710043	8595694803928
67	KIT FERRO SBE 02	1710014	8595694803935
67	KIT FERRO SBE 03	1710044	8595694803942
67	KIT FERRO SZE 02	1710007	8595694803959
67	KIT FERRO SZE 03	1710045	8595694803966
67	KIT DINO SBE 02	1710047	8595694803973
67	KIT DINO SBE 03	1710048	8595694803980
68	KIT DINO SZE 02	1710049	8595694803997
68	KIT DINO SZE 03	1710050	8595694804000
68	KIT ENZO SB 02	1710012	8595694804017
68	KIT ENZO SB 03	1710051	8595694804024
68	KIT ENZO SZ 02	1710005	8595694804031
68	KIT ENZO SZ 03	1710046	8595694804048
69	KIT DEMO MBE 02	1710016	8595694804055
69	KIT DEMO MBE 03	1710052	8595694804062
69	KIT DEMO MZE 02	1710010	8595694804079
69	KIT DEMO MZE 03	1710038	8595694804086
69	KIT DEMO MBE 23	1710072	8595694804093
69	KIT DEMO MZE 23	1710073	8595694804109



EAN CODE SLIDING SETS

Page	Art.	CODE	EAN
70	X-TRACK - 4.5 WTO 825, FRS 2 E-BOX	1710200	8595694803751
70	X-TRACK - 4.5 WTO 825, GOS 4 E-BOX	1710201	8595694803768
70	X-TRACK - 4.5 WSO 824, FRS 2 E-BOX	1710202	8595694803775
70	X-TRACK - 4.5 WSO 824, GOS 4 E-BOX	1710203	8595694803782
70	X-TRACK - 4.5 WO 824, FRS 2 E-BOX	1710204	8595694803799
70	X-TRACK - 4.5 WO 824, GOS 4 E-BOX	1710205	8595694803805
71	X-TRACK - 5.5 WTO 825, FRS 2 E-BOX	1710206	8595694803812
71	X-TRACK - 5.5 WTO 825, FRS 2 E-BOX	1710207	8595694803829
71	X-TRACK - 5.5 WSO 824, FRS 2 E-BOX	1710208	8595694803836
71	X-TRACK - 5.5 WSO 824, GOS 4 E-BOX	1710209	8595694803843
71	X-TRACK - 5.5 WO 824, FRS 2 E-BOX	1710210	8595694803850
71	X-TRACK - 5.5 WO 824, GOS 4 E-BOX	1710211	8595694803867



EAN CODE LOWCUT

Page	Art.	CODE	EAN
72	KIT MARE LOWCUT 02	1710118	8595694804369
72	KIT MARE LOWCUT 03	1710119	8595694804857



EAN CODE CANTILEVER S

Page	Art.	CODE	EAN
83	STAGE SB 6	1700002	8595694800019
83	STAGE SB 5,6	1700176	8595694800026
83	STAGE SB 3	1700167	8595694800033
83	STAGE SB 2,8	1720006	8595694800040
83	STAGE SB 1	1720008	8595694800057
83	STAGE SZ 6	1700003	8595694800064
83	STAGE SZ 5,6	1700177	8595694800071
83	STAGE SZ 3	1700168	8595694800088
83	STAGE SZ 2,8	1720016	8595694800095
83	STAGE SZ 1	1720018	8595694800101
84	SPEED SE	1700174	8595694800118
84	SPEED S	1700001	8595694800125
85	SPEED SK	1700189	8595694800132
85	SPEED S - LOWCUT	1700395	8595694804352
86	RUN S	1700004	8595694800149
86	PILOT SR	1700404	8595694804420
87	PILOT SN	1700007	8595694800194
87	DRIVESHAFT 80	1700332	8595694800446
87	DRIVESHAFT 100	1700333	8595694800453
88	LAST S	1700005	8595694800156
88	LAST SMK	1700398	8595694804598
89	PARK	1700006	8595694800163
89	PARK 240	1700196	8595694800170
89	PARK CSM	1700359	8595694803447
89	PARK CSM 240	1700399	8595694804802
90	PADDOCK SM	1700194	8595694800187
90	PADDOCK 2	1700182	8595694800200
91	PADDOCK 4	1700191	8595694800217
92	DOCKER O	1700367	8595694803461
92	PADDOCK O	1700351	8595694803478
93	FINISH S	1700008	8595694800224
93	DIAGON 60	1700237	8595694800231
93	DIAGON 80	1700238	8595694800248
94	TOWER 1.1	1710803	8595694804307
94	TOWER 1.3	1710804	8595694804314
94	TOWER 1.5	1710805	8595694804321
94	TOWER 1.8	1710807	8595694804512
94	DESK SE 2	1700314	8595694800255
94	DESK SE 4	1700315	8595694800262
94	DESK SE 6	1700316	8595694800279
95	DESK S 2	1700317	8595694800286
95	DESK S 4	1700318	8595694800293
95	DESK S 6	1700319	8595694800309
95	DESK SK 2	1700320	8595694800316

Page	Art.	CODE	EAN
95	DESK SK 4	1700321	8595694800323
95	DESK SK 6	1700322	8595694800330
96	RAMP SE 2	1700283	8595694800347
96	RAMP SE 4	1700284	8595694800354
96	RAMP SE 6	1700285	8595694800361
96	RAMP S 2	1700286	8595694800378
96	RAMP S 4	1700287	8595694800385
96	RAMP S 6	1700288	8595694800392
97	RAMP SK 2	1700289	8595694800408
97	RAMP SK 4	1700290	8595694800415
97	RAMP SK 6	1700291	8595694800422
97	CLINCH 16	1700239	8595694800439



EAN CODE CANTILEVER M

Page	Art.	CODE	EAN
105	STAGE MB 6	1700011	8595694800460
105	STAGE MB 4	1700213	8595694800477
105	STAGE MB 3	1700169	8595694800484
105	STAGE MB 2	1700214	8595694800491
105	STAGE MB 1	1720026	8595694800507
105	STAGE MZ 6	1700012	8595694800514
105	STAGE MZ 4	1700215	8595694800521
105	STAGE MZ 3	1700170	8595694800538
105	STAGE MZ 2	1700216	8595694800545
105	STAGE MZ 1	1720036	8595694800552
106	SPEED ME	1700009	8595694800569
106	SPEED M	1700010	8595694800576
107	SPEED MEK	1700190	8595694800583
107	FINISH M	1700017	8595694800637
108	RUN M	1700013	8595694800590
108	PILOT MR	1700405	8595694804437
109	PILOT MN	1700016	8595694800620
109	DRIVESHAFT 80	1700332	8595694800446
109	DRIVESHAFT 100	1700333	8595694800453
110	LAST M	1700014	8595694800606
110	LAST SMK	1700398	8595694804598
111	PARK	1700006	8595694800163
111	PARK 240	1700196	8595694800170
111	PARK CSM	1700359	8595694803447
111	PARK CSM 240	1700399	8595694804802
112	PADDOCK SM	1700194	8595694800187
112	PADDOCK 2	1700182	8595694800200
113	PADDOCK 4	1700191	8595694800217
113	DIAGON 60	1700237	8595694800231
113	DIAGON 80	1700238	8595694800248
114	TOWER 1.1	1710803	8595694804307
114	TOWER 1.3	1710804	8595694804314
114	TOWER 1.5	1710805	8595694804321
114	TOWER 1.8	1710807	8595694804512
114	DESK ME 2	1700323	8595694800644
114	DESK ME 4	1700324	8595694800651
114	DESK ME 6	1700325	8595694800668
115	DESK M 2	1700326	8595694800675
115	DESK M 4	1700327	8595694800682
115	DESK M 6	1700328	8595694800699
115	DESK MEK 2	1700329	8595694800705
115	DESK MEK 4	1700330	8595694800712
115	DESK MEK 6	1700331	8595694800729
116	RAMP ME 2	1700292	8595694800736

Page	Art.	CODE	EAN
116	RAMP ME 4	1700293	8595694800743
116	RAMP ME 6	1700294	8595694800750
116	RAMP M 2	1700295	8595694800767
116	RAMP M 4	1700296	8595694800774
116	RAMP M 6	1700297	8595694800781
117	RAMP MEK 2	1700298	8595694800798
117	RAMP MEK 4	1700299	8595694800804
117	RAMP MEK 6	1700300	8595694800811
117	CLINCH 16	1700239	8595694800439



EAN CODE CANTILEVER M MAX

Page	Art.	CODE	EAN
121	STAGE MZ 6 - MAX 420	1720124	8595694804536
121	STAGE MZ 3 - MAX 420	1720127	8595694804550
122	SPEED M - MAX 14	1700358	8595694804260
122	SPEED MK - MAX 14	1700416	8595694804833
123	FINISH M	1700017	8595694800637
123	DIAGON 60	1700237	8595694800231
123	DIAGON 80	1700238	8595694800248
124	RUN M	1700013	8595694800590
124	PILOT MR	1700405	8595694804437
125	PILOT MN	1700016	8595694800620
125	DRIVESHAFT 80	1700332	8595694800446
125	DRIVESHAFT 100	1700333	8595694800453
126	LAST M - MAX	1700391	8595694804406
126	PARK	1700006	8595694800163
126	PARK 240	1700196	8595694800170
127	PARK CSM	1700359	8595694803447
127	PARK CSM 240	1700399	8595694804802
128	PADDOCK SM	1700194	8595694800187
128	PADDOCK 2	1700182	8595694800200
129	PADDOCK 4	1700191	8595694800217
129	PADDOCK 6	1700192	8595694800996
130	DESK M 2	1700326	8595694800675
130	DESK M 4	1700327	8595694800682
130	DESK M 6	1700328	8595694800699
130	RAMP M 2	1700295	8595694800767
130	RAMP M 4	1700296	8595694800774
130	RAMP M 6	1700297	8595694800781
131	CLINCH 16	1700239	8595694800439



EAN CODE CANTILEVER L

Page	Art.	CODE	EAN
134	STAGE LB 6	1700179	8595694800828
134	STAGE LB 3	1700178	8595694800835
134	STAGE LB 2	1700218	8595694800842
134	STAGE LB 1	1720046	8595694800859
134	STAGE LZ 6	1700180	8595694800866
134	STAGE LZ 3	1700019	8595694800873
134	STAGE LZ 2	1700220	8595694800880
134	STAGE LZ 1	1720052	8595694800897
135	SPEED L	1700018	8595694800903
135	SPEED LK	1700366	8595694803454
136	RUN L	1700020	8595694800934
136	PILOT LR	1700406	8595694804789
137	PILOT LN	1700024	8595694800927
137	DRIVESHAFT 150	1700334	8595694800972
138	LAST L	1700021	8595694800941
138	PARK L	1700022	8595694800958
138	PARK L 350	1700197	8595694800965
139	PADDOCK L	1700195	8595694800989
139	PADDOCK 6	1700192	8595694800996
140	RAMP L 3	1700301	8595694801009
140	RAMP L 5	1700302	8595694801016
140	RAMP L 8	1700303	8595694801023
140	CLINCH 16	1700239	8595694800439



EAN CODE SLIDING GATE

Page	Art.	CODE	EAN
143	TRAIL 6	1700161	8595694801030
143	TRAIL 4	1720055	8595694801047
143	TRAIL 3	1700203	8595694801054
143	TRAIL 2	1720057	8595694801061
143	TRAIL 1	1720058	8595694801078
143	PIN TRAIL	1700346	8595694801085
144	ROAD 6	1700162	8595694801092
144	ROAD 4	1720061	8595694801108
144	ROAD 3	1700204	8595694801115
144	ROAD 2	1720063	8595694801122
144	ROAD 1	1720064	8595694801139
144	PIN ROAD	1700347	8595694801146
145	VECTOR 6	1720101	8595694801153
145	VECTOR 3	1720102	8595694801160
145	PIN VECTOR	1700348	8595694801177
146	VECTOR PACK 6	1720107	8595694801184
146	VECTOR PACK 3	1720108	8595694801191
147	WV 620	1700025	8595694801207
147	WV 820	1700026	8595694801214
147	WV 920	1700027	8595694801221
147	WV 1020	1700028	8595694801238
147	WV 824 B2	1700257	8595694801245
147	WV 924 B2	1700258	8595694801252
147	WV 1024 B2	1700259	8595694801269
147	WV 1228 B2	1700260	8595694801276
147	WV 1430 B2	1700261	8595694801283
147	WV 1630 B2	1700262	8595694801290
148	WO 824	1700029	8595694801306
148	WO 924	1700221	8595694801313
148	WO 1024	1700030	8595694801320
148	WO 824 B2	1700263	8595694801337
148	WO 924 B2	1700264	8595694801344
148	WO 1024 B2	1700265	8595694801351
148	WO 1228 B2	1700266	8595694801368
148	WO 1430 B2	1700267	8595694801375
148	WO 1630 B2	1700268	8595694801382
149	WTV 624	1700031	8595694801399
149	WTV 824	1700032	8595694801405
149	WTV 1024 B2	1700269	8595694801412
150	WTO 625	1700033	8595694801429
150	WTO 825	1700034	8595694801436
150	WTO 1024 B2	1700270	8595694801443
151	WSV 820	1700035	8595694801450
151	WSV 920	1700036	8595694801467

Page	Art.	CODE	EAN
151	WSV 1020	1700037	8595694801474
151	WSV 824 B2	1700271	8595694801481
151	WSV 924 B2	1700272	8595694801498
151	WSV 1024 B2	1700273	8595694801504
151	WSV 1228 B2	1700274	8595694801511
151	WSV 1630 B2	1700275	8595694801528
152	WSO 824	1700039	8595694801535
152	WSO 924	1700040	8595694801542
152	WSO 1024	1700041	8595694801559
152	WSO 824 B2	1700276	8595694801566
152	WSO 924 B2	1700277	8595694801573
152	WSO 1024 B2	1700278	8595694801580
152	WSO 1228 B2	1700279	8595694801597
152	WSO 1630 B2	1700280	8595694801603

Page	Art.	CODE	EAN
155	RW 26	1700042	8595694801610
155	RW 30	1700043	8595694801627
155	RW 40	1700044	8595694801634
155	RR 26	1700200	8595694801641
155	RR 30	1700201	8595694801658
155	RR 40	1700202	8595694801665
155	RB 26	1700046	8595694801672
155	RB 30	1700222	8595694801689
155	RB 32	1700047	8595694801696
155	RB 42/16	1700337	8595694801702
155	RB 42/20	1700048	8595694801719
156	ROB 36	1700045	8595694801726
156	ROB 48	1700243	8595694801733
156	ROB 68	1700338	8595694801740
156	REB 36	1700240	8595694801757
156	REB 48	1700241	8595694801764
156	REB 68	1700242	8595694801771
157	RR 30 - GUARD	1700414	8595694804871
157	RR 40 - GUARD	1700415	8595694804888
157	FRS 2 - GUARD	1700412	8595694804758
157	FRM 2 - GUARD	1700413	8595694804765
158	FRS 2	1700183	8595694801795
158	FRM 2	1700184	8595694801801
158	FRS 2 - MAX	1700400	8595694804710
158	FRM 2 - MAX	1700401	8595694804659
159	SR 2	1700049	8595694801788
159	GRS 4	1700185	8595694801818
160	GOS 4	1700352	8595694803485
160	GRM 4	1700186	8595694801825
161	SFB 42/16	1700343	8595694801832
161	SFF 2M	1700344	8595694801849
162	SFG 4M	1700345	8595694801856
162	CRANKSHAFT 220	1700335	8595694801863
162	CRANKSHAFT 440	1700336	8595694801870
163	JRS 30	1700339	8595694801887
163	JRM 40	1700340	8595694801894
163	PRS 30	1700341	8595694801900
163	PRM 40	1700342	8595694801917
164	OVERDRIVE 30	1700411	8595694804772
164	TOWER 1.1	1710803	8595694804307
164	TOWER 1.3	1710804	8595694804314
164	TOWER 1.5	1710805	8595694804321
164	TOWER 1.8	1710807	8595694804512
165	RCB 30/14	1700354	8595694803508

Page	Art.	CODE	EAN
165	RCB 40/16	1700355	8595694803515
165	JBS 30	1700356	8595694803522
165	JBM 40	1700357	8595694803539
166	EDGECRAFT 30/2	1720141	8595694804680
166	EDGECRAFT 40/2	1720142	8595694804697
166	DRIVER 38/6	1720092	8595694801924
166	DRIVER 38/3	1720093	8595694801931
166	DRIVER 48/6	1720089	8595694801948
166	DRIVER 48/3	1720090	8595694801955
167	DUNE 2	1700234	8595694802228
167	DUNE 2L	1700235	8595694802235
168	LOCK L	1700053	8595694801962
168	DOCK 42	1700054	8595694801979
168	DOCK 52	1700055	8595694801986
168	DOCK 62	1700056	8595694801993
169	V/6	1700057	8595694802006
169	S/6	1700181	8595694802013
169	Z/8	1700058	8595694802020
169	Z/12	1700193	8595694802037
170	ROOF 3 B	1700059	8595694802044
170	ROOF 4 B	1700060	8595694802051
170	ROOF 5 B	1700061	8595694802068
170	ROOF 6 B	1700062	8595694802075
170	ROOF 8 B	1700063	8595694802082
170	ROOF 10 B	1700064	8595694802099
170	ROOF 12 B	1700065	8595694802105
170	ROOF 15 B	1700066	8595694802112
170	ROOF 20 B	1700067	8595694802129
170	ROOF 3 S	1700068	8595694802136
170	ROOF 4 S	1700069	8595694802143
170	ROOF 5 S	1700070	8595694802150
170	ROOF 6 S	1700071	8595694802167
170	ROOF 8 S	1700072	8595694802174
170	ROOF 10 S	1700073	8595694802181
170	ROOF 12 S	1700074	8595694802198
170	ROOF 15 S	1700075	8595694802204
170	ROOF 20 S	1700076	8595694802211
171	LIMIT	1700077	8595694802242
171	LIMIT S	1700078	8595694802259
172	LIMIT M	1700079	8595694802266
172	LIMIT H	1700251	8595694802273
173	ES 40	1700083	8595694802280
173	ES 50	1700084	8595694802297
173	ES 40 PN	1700089	8595694802303

Page	Art.	CODE	EAN
173	ES 50 PN	1700090	8595694802310
174	END S	1700080	8595694802327
174	END M	1700081	8595694802334
174	END L	1700082	8595694802341
174	END O	1700349	8595694802358
175	BOLT 8x20 - DIN 933	1790039	
175	BOLT 10x20 - DIN 933	1790007	
175	BOLT 10x20 - ISO 7380-2	1790038	
175	RIVET NUT - M8	1790040	
175	RIVET NUT - M10	1790006	8595694804819



EAN CODE SWING GATES

Page	Art.	CODE	EAN
178	H 16	1700371	8595694802365
178	H 20	1700378	8595694802372
178	H 24	1700385	8595694802389
178	HN 16	1700372	8595694802396
178	HN 20	1700379	8595694802402
178	HN 24	1700386	8595694802419
179	HP 16 R	1700373	8595694802426
179	HP 20 R	1700380	8595694802433
179	HP 24 R	1700387	8595694802440
179	HP 16 A	1700374	8595694802457
179	HP 20 A	1700381	8595694802464
180	HW 16	1700375	8595694802471
180	HW 20	1700382	8595694802488
180	HW 24	1700388	8595694802495
180	HL 20	1700383	8595694802501
180	HL 24	1700389	8595694802518
181	HL 20 G	1700384	8595694802525
181	HL 24 G	1700390	8595694802532
182	AB 50 L	1700110	8595694802549
182	AB 70 L	1700111	8595694802556
182	AB 50 A	1700112	8595694802563
182	AB 70 A	1700113	8595694802570
183	AB 50 LSU	1700252	8595694802587
183	AB 70 LSU	1700253	8595694802594
183	AB 50 ASU	1700254	8595694802600
183	AB 70 ASU	1700255	8595694802617
184	H 40	1700244	8595694802624
184	HN 40	1700108	8595694802631
185	HP 40 R	1700245	8595694802648
185	HP 40	1700109	8595694802655
186	EDGE 16	1700407	8595694804796
186	EDGE 20	1700408	8595694804635
186	FOLD 16	1700364	8595694804376
187	HTW 140	1700363	8595694803492
187	SH 20	1700114	8595694802662
187	SH 24	1700115	8595694802679



EAN CODE SLIDING DOORS

Page	Art.	CODE	EAN
190	STRELA 33/6	1700133	8595694802686
190	STRELA 33/4	1720073	8595694802693
190	STRELA 33/3	1700206	8595694802709
190	STRELA 33/2	1720075	8595694802716
190	STRELA 33/1	1720076	8595694802723
190	STRELA 42/6	1700134	8595694802730
190	STRELA 42/4	1720079	8595694802747
190	STRELA 42/3	1700207	8595694802754
190	STRELA 42/2	1720081	8595694802761
190	STRELA 42/1	1720082	8595694802778
190	STRELA 57/6	1700135	8595694802785
190	STRELA 57/4	1720085	8595694802792
190	STRELA 57/3	1700208	8595694802808
190	STRELA 57/2	1720087	8595694802815
190	STRELA 57/1	1720088	8595694802822
191	2 SBK	1700122	8595694802839
191	2 SAK	1700123	8595694802846
191	4 SBK	1700124	8595694802853
191	4 SAK	1700125	8595694802860
192	DB 33	1700136	8595694802877
192	DB 42	1700137	8595694802884
192	DB 57	1700138	8595694802891
192	DH 33	1700139	8595694802907
192	DH 42	1700140	8595694802914
192	DH 57	1700141	8595694802921
193	DC 57	1700417	8595694804727
193	KHL 140	1700147	8595694803164
193	KHL 180	1700164	8595694803171
194	AG 33	1700310	8595694802938
194	AG 42	1700311	8595694802945
194	AG 57	1700312	8595694802952
194	FINISH 33	1700225	8595694802969
194	FINISH 42	1700226	8595694802976
194	FINISH 57	1700227	8595694802983
195	DM 8	1700142	8595694802990
195	DM 12	1700143	8595694803003
195	DM 20	1700224	8595694803010
196	2 SCF	1700116	8595694803034
196	4 SCF	1700119	8595694803041
197	2 SC	1700126	8595694803058
197	4 SC	1700127	8595694803065
198	2 SCTS	1700128	8595694803072
198	2 SCTL	1700130	8595694803089
198	SCTS	1700129	8595694803096

Page	Art.	CODE	EAN
198	SCTL	1700131	8595694803102
199	4 SCML	1700132	8595694803027
203	MCD 60/6	1720095	8595694803119
203	MCD 60/4	1720096	8595694803126
203	AD 150	1700309	8595694803133
204	SPEED C	1700144	8595694803140
204	STAGE SZ 6	1700003	8595694800064
204	STAGE SZ 5,6	1700177	8595694800071
204	STAGE SZ 3	1700168	8595694800088
204	STAGE SZ 2,8	1720016	8595694800095
204	STAGE SZ 1	1720018	8595694800101
205	DC 70	1700146	8595694803157
205	KHL 140	1700147	8595694803164
205	KHL 180	1700164	8595694803171
206	DF 190	1700304	8595694803188
206	GD 180	1700313	8595694803416
207	FINISH S	1700008	8595694800224
207	PILOT SN	1700007	8595694800194
208	SPEED CM	1700360	8595694803423
208	STAGE MZ 6	1700012	8595694800514
208	STAGE MZ 4	1700215	8595694800521
208	STAGE MZ 3	1700170	8595694800538
208	STAGE MZ 2	1700216	8595694800545
208	STAGE MZ 1	1720036	8595694800552
209	DC 90	1700368	8595694803430
209	KHL 140	1700147	8595694803164
209	KHL 180	1700164	8595694803171
210	DF 240	1700369	8595694803553
210	GD 200	1700370	8595694803546
211	FINISH M	1700017	8595694800637
211	PILOT MN	1700016	8595694800620
212	RS 25	1700159	8595694803195
212	RS 40	1700160	8595694803201
213	MS 40	1700145	8595694803409
214	KL 70 L	1700148	8595694803218
214	KL 70 R	1700149	8595694803225
214	TL 30	1700150	8595694803232
215	TL 40	1700151	8595694803249
215	TL 70	1700166	8595694803256
216	TL 50	1700152	8595694803263
216	TL 90	1700153	8595694803270
217	AD 25/2	1700228	8595694803287
217	AD 25/1	1700154	8595694803294
217	AS 25/2	1700229	8595694803300



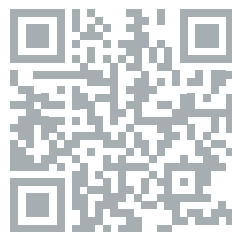
EAN CODE SLIDING DOORS

Page	Art.	CODE	EAN
217	AS 25/1	1700155	8595694803317
217	AR 25/2	1700230	8595694803324
217	AR 25/1	1700199	8595694803331
217	BD 25/2	1700231	8595694803348
217	BD 25/1	1700156	8595694803355
217	BD 35/2	1700232	8595694803362
217	BD 35/1	1700157	8595694803379
217	BD 45/2	1700233	8595694803386
217	BD 45/1	1700158	8595694803393
217	BD 25/1	1700156	8595694803355
217	BD 35/2	1700232	8595694803362
217	BD 35/1	1700157	8595694803379
217	BD 45/2	1700233	8595694803386
217	BD 45/1	1700158	8595694803393





MIRA CAIS
JANA CAIS



www.cais.eu

CZECH REPUBLIC - SLOVAKIA - CANADA EAST COAST - CANADA WEST COAST - PORTUGAL - POLAND - SERBIA - UNITED KINGDOM - DENMARK
NEW ZEALAND - ISRAEL - SPAIN - FINLAND - MOLDAVIA - RUSSIA - LATVIA - SLOVENIA - SOUTH KOREA - HUNGARY - IRAN - ITALY - BENELUX - IRELAND
SWEDEN - USA - SOUTH AMERICA - MACEDONIA - CROATIA - BOSNIA AND HERZEGOVINA - NORTH ROMANIA - SOUTH ROMANIA - BULGARIA - GERMANY - AUSTRIA
SWITZERLAND - CYPRUS - MALTA - ALBANIA - UKRAINE - GREECE - NORWAY - EGYPT - SAUDI ARABIA - MOROCCO - KAZAKHSTAN - VIETNAM - THAILAND - PHILIPPINES
SINGAPORE - AUSTRALIA - UNITED ARAB EMIRATES - TRINIDAD AND TOBAGO - GUYANA - SURINAME